

Technical Information

OUSAF46

Optical sensor with the OUA260 flow assembly for the measurement of UV absorption



Application

The sensor measures the spectral absorption of process liquids in the ultraviolet region of the electromagnetic spectrum.

- Measurement of protein concentrations
- Chromatography monitoring
- Filtration monitoring
- Concentration measurement of organic compounds
- Detection of aromates

Your benefits

- Improved process control and easier quality control thanks to quick and reliable monitoring of product concentration
 - Measuring range up to 2.5 AU or 50 OD (depending on optical path length)
 - Measurement of UV absorption at discrete wavelengths between 254 nm and 313 nm
 - Outstanding filter properties for highest linearity
 - Direct concurrence with laboratory values
 - Integrated reference detector for lamp compensation
 - Gas discharge lamp for long service life and stable measured values
- FM- and ATEX-approved lamps for applications in the hazardous area
- Compliance with life sciences sector thanks to hygienic design and FDA- and USP-compliant sealing materials
- High degree of product safety as SIP/CIP-resistant
- High product yield thanks to low volume requirements
- Maximum durability in all applications owing to wide range of materials and process connections
- Can be adapted to process requirements:
Optional air purge ports to prevent the formation of condensate on the optical windows

Function and system design

Measuring principle

Light absorption

The measuring principle is based on the Lambert-Beer law.

There is a linear dependency between the absorption of light and the concentration of the absorbing substance:

$$A = -\log(T) = \varepsilon \cdot c \cdot \text{OPL}$$

$$T = I/I_0$$

T ... Transmission

I ... Intensity of received light at detector

I₀ ... Intensity of transmitted light of light source

A ... Absorption

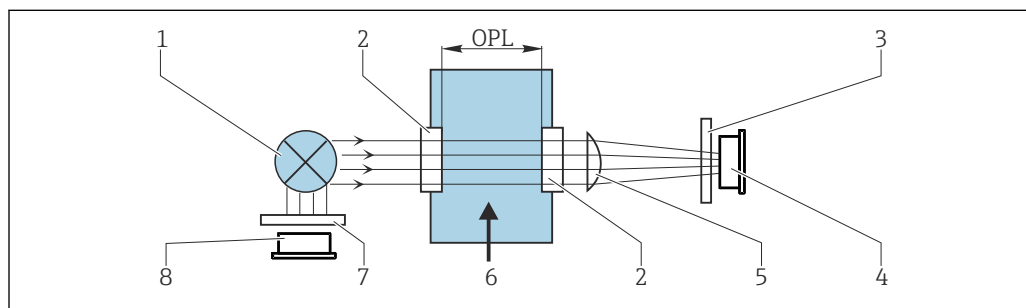
ε ... Extinction coefficient

c ... Concentration

OPL ... Optical path length

A light source emits radiation through the medium and the incident radiation is measured on the detector side.

The subsequent conversion to absorbance units (AU, OD) is performed in the associated transmitter.



A0029412

1 Absorption measurement with reference

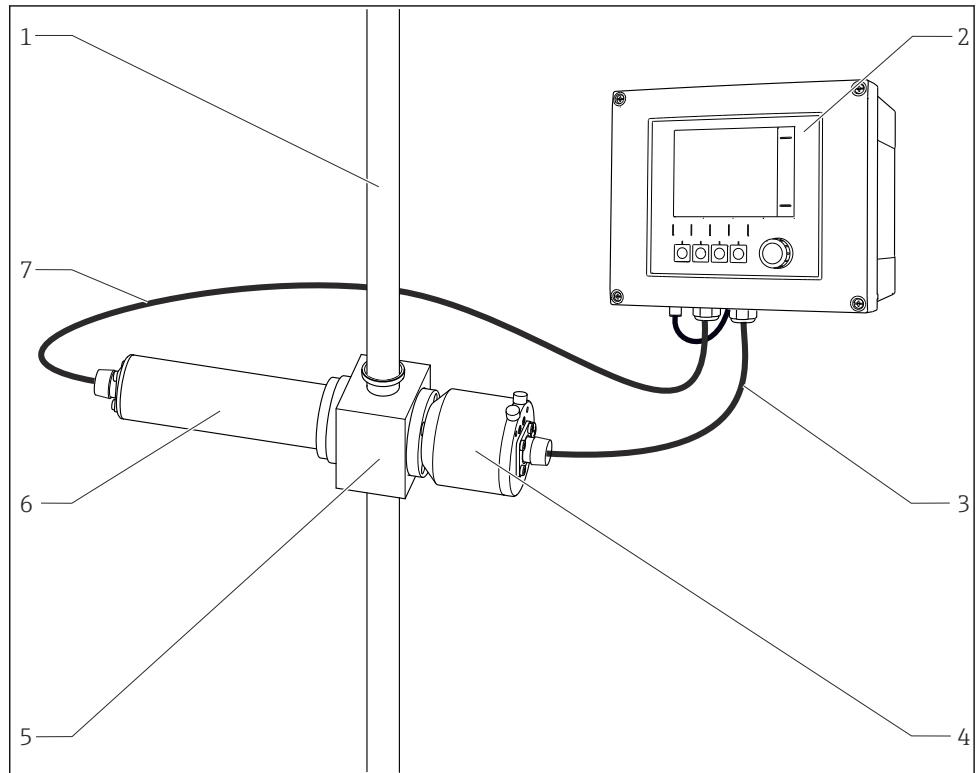
- 1 Light source
- 2 Optical windows
- 3 Measurement filter
- 4 Measuring detector
- 5 Lens
- 6 Medium flow
- 7 Reference filter
- 8 Reference detector

OUSA46 has 2 pairs of reference and measuring detectors (= 2 channels). Only one channel is shown for the sake of simplicity.

Measuring system

An optical measuring system comprises:

- Sensor (photometer) OUSA46
- Transmitter, e. g. Liquiline CM44P
- Cable set, e. g. CUK80
- Assembly OUA260



2 Example of a measuring system with a photometer sensor
 1 Pipe
 2 Transmitter CM44P
 3 CUK80 cable set
 4 Sensor: detector
 5 Flow assembly OUA260
 6 Sensor: light source (lamp)
 7 CUK80 cable set

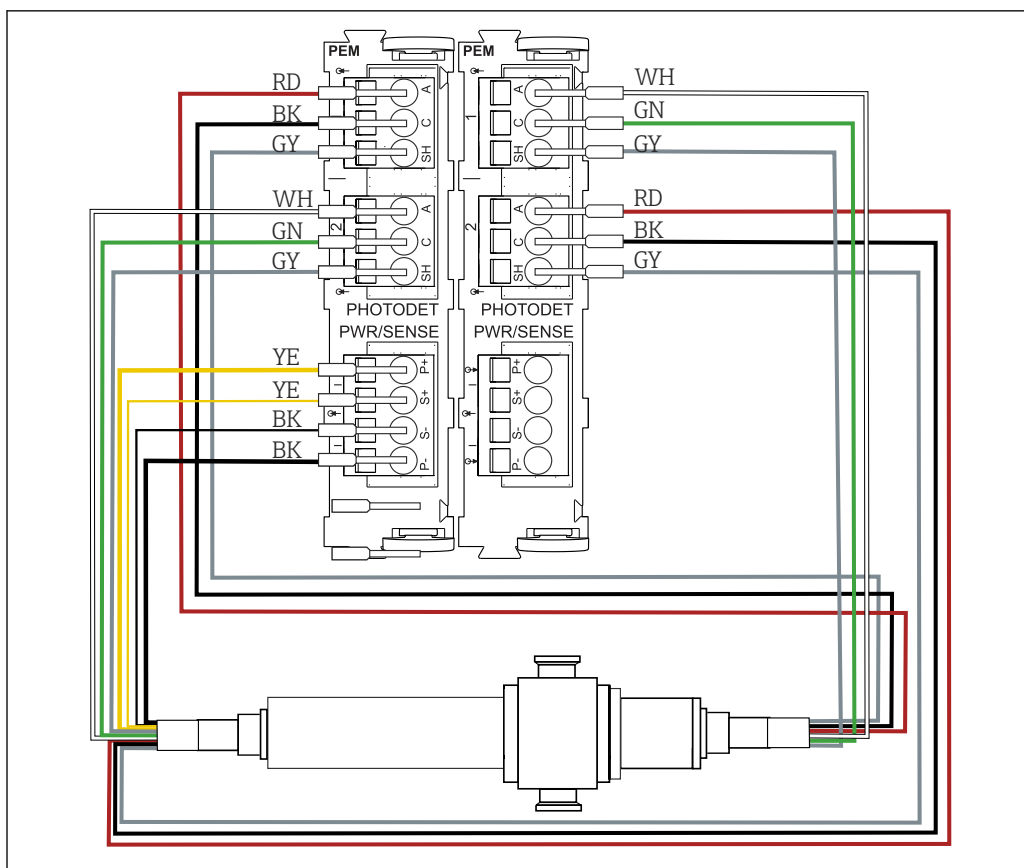
Input

Measured variable	UV-absorption
Measuring range	<ul style="list-style-type: none"> ■ 0 to 2.5 AU ■ Max. 50 OD (depending on the optical path length)
Wavelength	Discrete wavelength combination at 254/280, 280/295, 280/302 or 280/313 nm

Power supply

Electrical connection The sensor is connected to the transmitter via the pre-terminated or labeled cable set CUK80 (for connection to CM44P) or OUK (for connection to CVM40) . The terminals and labeling may vary depending on the transmitter in use. The cable set must be ordered separately.

- ▶ Do not shorten or otherwise modify the CUK80 cable!



A0046701



3 Connection OUSAF46 to CM44P (2 PEM modules required)

CM44P terminal	Cable color	Assignment
PEM module 1		
P+	YE (thick)	Lamp voltage +
S+	YE (thin)	Detection of lamp voltage +
S-	BK (thin)	Detection of lamp voltage -
P-	BK (thick)	Lamp voltage -
A (1)	RD	Channel 1 sensor measuring detector +
C(1)	BK	Channel 1 sensor measuring detector -
SH (1)	GY	Channel 1 Shield
A (2)	WH (lamp)	Channel 1 Sensor reference +
C(2)	GN (lamp)	Channel 1 Sensor reference -
SH (2)	GY (lamp)	Channel 1 Shield
PEM module 2		
A (1)	WH	Channel 2 Sensor measuring detector +
C(1)	GN	Channel 2 Sensor measuring detector -
SH (1)	GY	Channel 2 Shield
A (2)	RD (lamp)	Channel 2 Sensor reference +
C(2)	BK (lamp)	Channel 2 Sensor reference -
SH (2)	GY (lamp)	Channel 2 Shield

Cable length Maximum 100 m (330 ft)

Lamp voltage	Sensor version	Lamp type	Lamp voltage [V]
	OUSAF46-xxxx	Low-pressure mercury lamp	10.0 ± 0.1

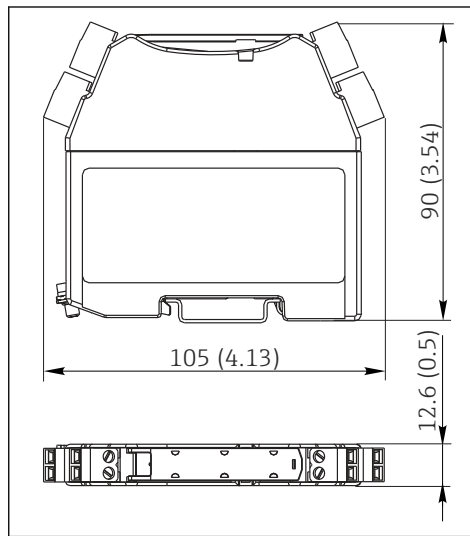
Versions for use in hazardous areas


-  Section applies only to measuring points consisting of a photometer, cable set CUK80 and a Liquiline CM44P transmitter.
-  Safety instructions for electrical apparatus in explosion-hazardous areas, XA01403C


Connecting the detector using a safety barrier

The photometer sensors use silicon photovoltaic cells as detectors which are operated in the current mode. The detectors are intrinsically safe and can be deployed in Zone 1 and Class I, Division 1 environments.

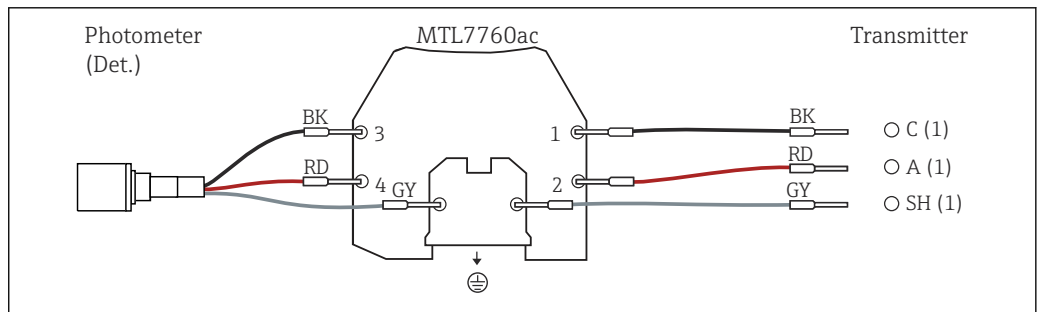
The safe area is separated from the hazardous area by safety barrier MTL7760AC.



 4 Safety barrier, dimensions in mm (inch)

-  The safety barrier may only have a very low leak current since the optical signals from the sensor can be in the nanoampere range. Therefore, the sensor cable shield is connected to the ground terminal of the barrier.

On delivery, the CUK80 detector cable is permanently wired to the . All you have to do is simply connect the individual cable ends to the detector and transmitter.



Connecting the hazardous area lamp using a junction box

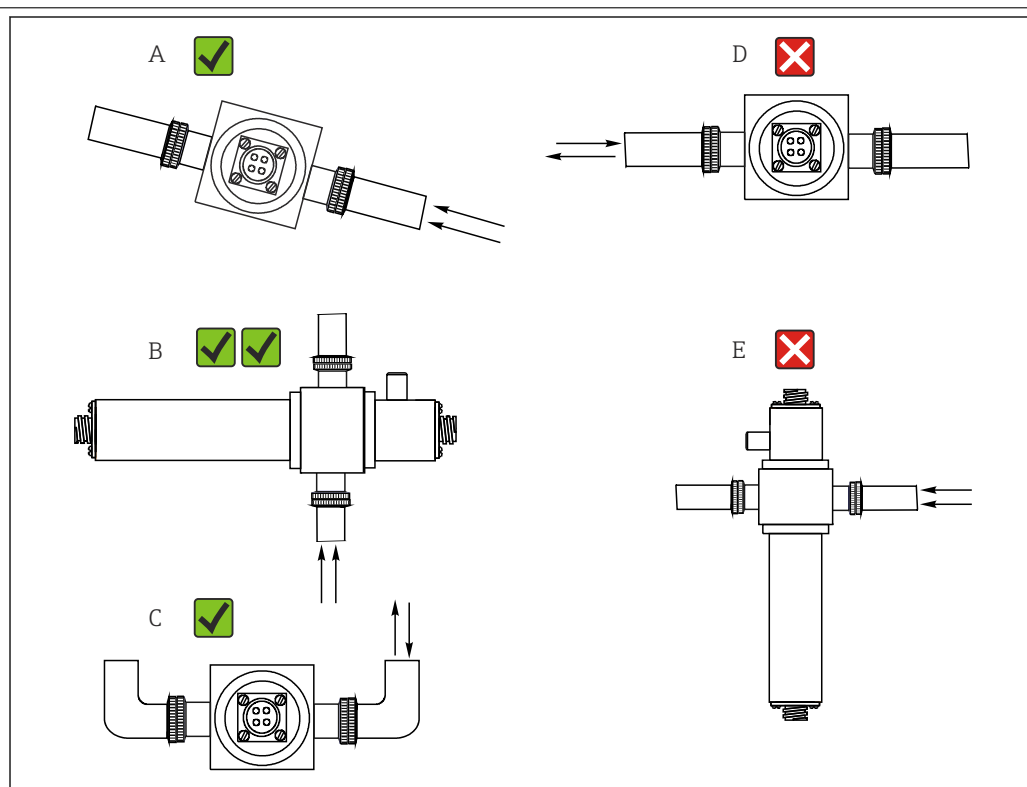
The hazardous area lamp (EXP-1) must be connected to the transmitter using a certified junction box.

i For versions with FM approval, the junction box is included in the delivery and already pre-terminated on the lamp side. You simply have to connect the cable of the transmitter (CUK80) to the terminals of the junction box.

For versions with ATEX approval, the junction box is not included in the delivery and it and the cable glands required must be provided by the customer at the place of installation. You must connect the cables entirely on your own (CUK80 of transmitter and lamp cable of photometer sensor).

Mounting

Installation instructions



5 Mounting angles. The arrows indicate the direction of medium flow in the pipe.

- A Suitable mounting angle, better than C
- B Optimum mounting angle, best installation position
- C Acceptable mounting angle
- D Mounting angle to be avoided
- E Forbidden mounting angle

Environment

Ambient temperature 0 to 55 °C (32 to 131 °F)

Storage temperature -10 to +70 °C (+10 to +160 °F)

Humidity 5 to 95 %

Degree of protection IP 65 (NEMA 4) for all optical parts

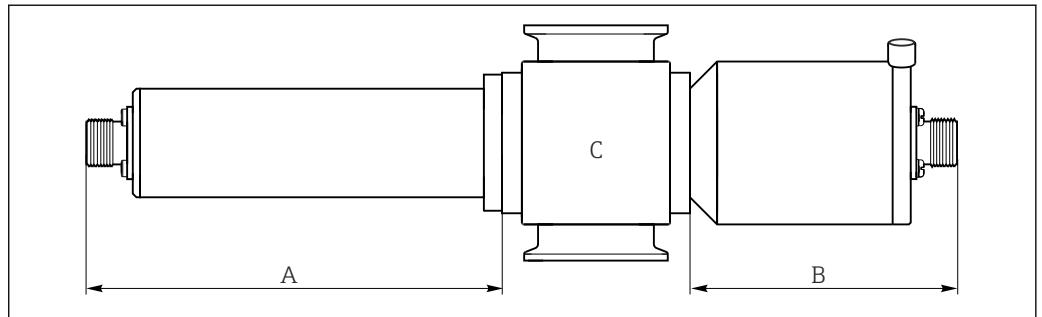
Process

Process temperature 0 to 90 °C (32 to 194 °F) continuous
 Max. 130 °C (266 °F) for 2 hours

Process pressure Max. 100 bar (1450 psi) absolute, depending on the material, pipe size and process connection of the flow assembly

Mechanical construction

Design, dimensions



6 Sensor module
 A Dimension of lamp → Table
 B Dimension of detector → Table
 C Assembly, see Technical Information for assembly



Lamp type	Dimension A in mm (inch)
Standard lamp	146.1 (5.75)
Detector type	Dimension B in mm (inch)
Standard version with test filter	80 (3.15)
Easycal	94 (3.70)




The total length of the sensor module is derived from the lengths of the lamp, the detector and the assembly.

The dimensions of the OUA260 assembly are provided in Technical Information, TI00418C.

- ▶ Allow an additional gap of 5 cm (2") on both the lamp side and detector side of the sensor to connect the sensor cable.

Weight	Sensor	
	UV lamp	0.58 kg (1.28 lbs)
	UV lamp with wire-braided cable (1.2 m (4 ft)) and junction box (sensor for hazardous area)	3.2 kg (6.66 lbs)
	Easycal detector	0.53 kg (1.17 lbs)
	Standard detector	0.78 kg (1.71 lbs)

Assembly OUA260	 Technical Information OUA260, TI00418C
Assembly CUA261	 Operating Instructions CUA261, BA01652C

Materials	Sensor housing	Stainless steel 316
	Assembly OUA260	 Technical Information OUA260, TI00418C
	Assembly CUA261	 Operating Instructions CUA261, BA01652C
	Cable connector ends	Nickel-plated brass
Light source	Low-pressure mercury lamp	
	Lamp operating life: typically 3000 h	
	 The lamp will not operate at full capacity until a warm-up period of 30 minutes has elapsed.	
Detector	UV silicon detector, hermetically sealed	
Filter	Multilayer interference filter, designed for extreme UV conditions	


Certificates and approvals

Current certificates and approvals that are available for the product can be selected via the Product Configurator at www.endress.com:

1. Select the product using the filters and search field.
2. Open the product page.
3. Select **Configuration**.

Ordering information

Product page www.endress.com/ousaf46

- Product Configurator**
1. **Configure**: Click this button on the product page.
 2. Select **Extended selection**.
 - ↳ The Configurator opens in a separate window.
 3. Configure the device according to your requirements by selecting the desired option for each feature.
 - ↳ In this way, you receive a valid and complete order code for the device.
 4. **Apply**: Add the configured product to the shopping cart.
-  For many products, you also have the option of downloading CAD or 2D drawings of the selected product version.
5. **Show details**: Open this tab for the product in the shopping cart.
 - ↳ The link to the CAD drawing is displayed. If selected, the 3D display format is displayed along with the option to download various formats.

Scope of delivery

The scope of delivery comprises the following, :

- Detector and lamp module without flow assembly or
- Detector and lamp module mounted on flow assembly
- Operating Instructions



Ordering the sensor together with a transmitter:

If you select the calibration option in the **Product Configurator for the transmitter**, the complete measuring system (transmitter, sensor, cable) is factory-calibrated and shipped as one package.

- ▶ If you have any queries:
Please contact your supplier or local sales center.

Accessories

The following are the most important accessories available at the time this documentation was issued.

Listed accessories are technically compatible with the product in the instructions.

1. Application-specific restrictions of the product combination are possible.
Ensure conformity of the measuring point to the application. This is the responsibility of the operator of the measuring point.
2. Pay attention to the information in the instructions for all products, particularly the technical data.
3. For accessories not listed here, please contact your Service or Sales Center.

Flow assembly

OUA260

- Flow assembly for hygienic sensors
- For sensor installation in pipes
- Numerous materials, process connections and path length versions available
- Product Configurator on the product page: www.endress.com/oua260



Technical Information TI00418C

CUA261

- VARIVENT adapter for installation in VARINLINE housing
- Hygienic process connection, suitable for cleaning in the process (CIP) and sterilization in the process (SIP)
- Numerous window materials and path length versions available
- Product Configurator on the product page: www.endress.com/cua261



Operating Instructions BA01652C

Cable

CUK80 cable set

- Pre-terminated and labeled cables for connecting analog photometer sensors
- Product Configurator on the product page: www.endress.com/cuk80

Calibration

Kit OUSAF46 EasyCal retrofit kit

- Patented system traceable to NIST for the calibration of UV absorption sensors
- Order numbers:
 - 254/280 nm: 71382018
 - 280/295 nm: 71382019
 - 280/313 nm: 71382020

Reference rod

Order number: 71108543



71596232

www.addresses.endress.com
