



## Brief Operating Instructions Safe unpacking of ceramic thermowells

iTHERM FlameLine TAF1x high-temperature thermometer

### Information regarding unpacking

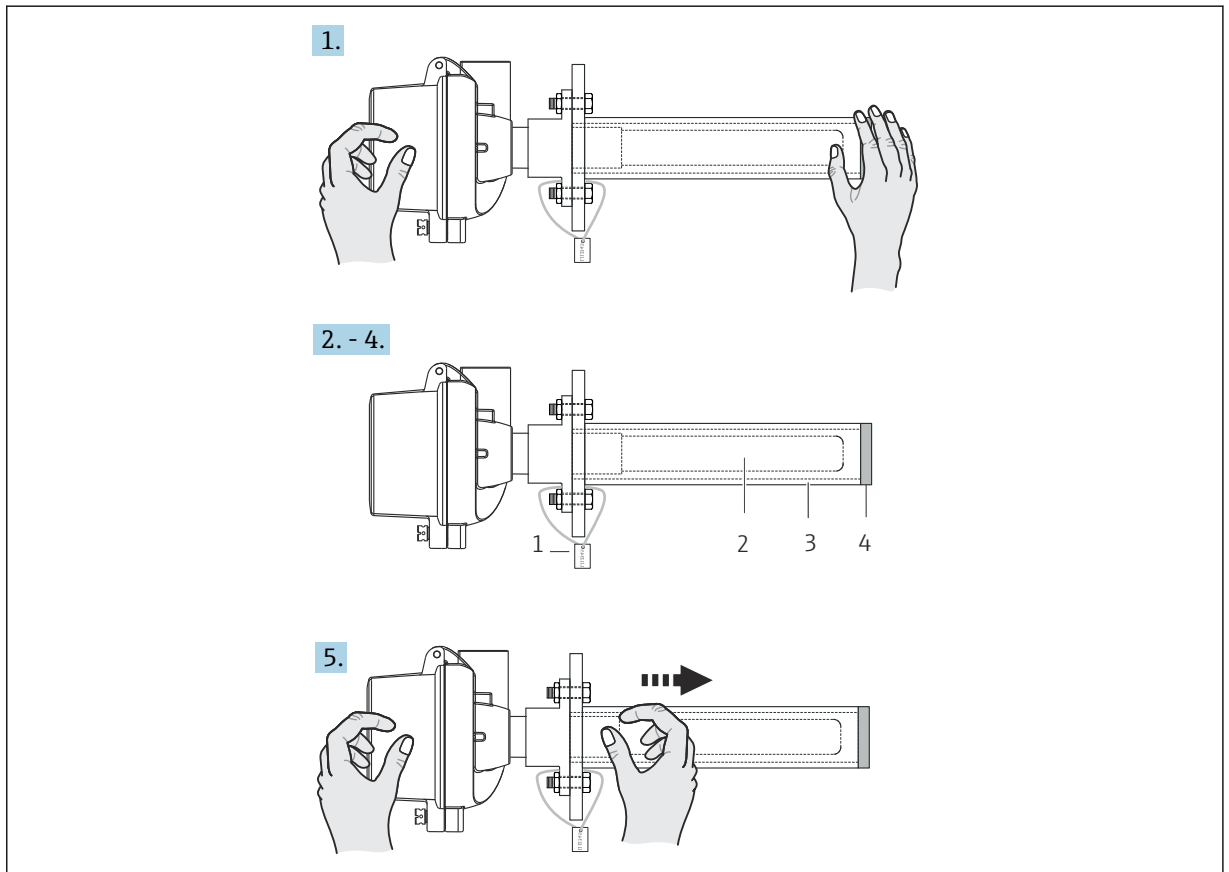
#### NOTICE

#### Damage to property

Careless handling of the thermometer, particularly the ceramic thermowell, can result in damage to the thermometer.

- ▶ Handle the thermometer with care and adhere to the following instructions.

1. Carefully remove the foam padding. Using both hands, carefully remove the thermometer from the transport box and position it horizontally.



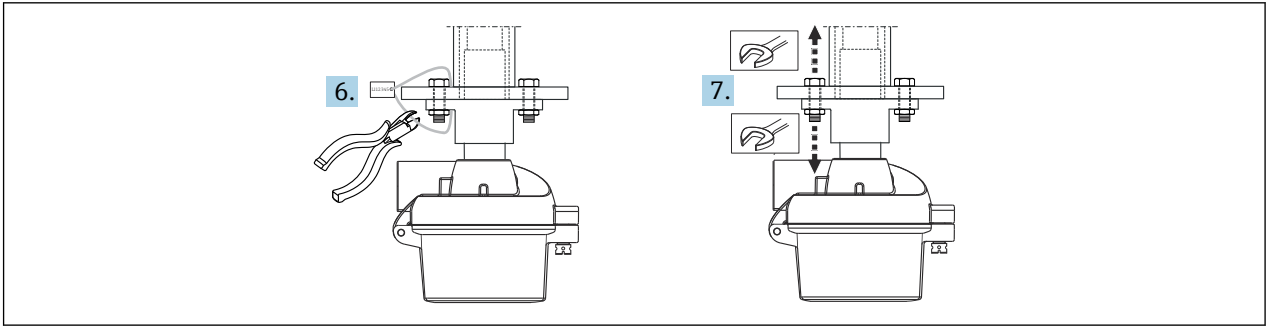
A0055145

- 1 Safety seal
- 2 Ceramic thermowell
- 3 Metal protective tube
- 4 Foam protection

2. Check whether the safety seal is present and is free from damage.
3. Check whether the foam protection is provided at the end of the metal protective tube and is free from damage.
4. Check whether the ceramic thermowell is free from damage.
5. Hold the terminal head with one hand and use the other hand to carefully remove the protective cover by pulling slowly.

↳ Any damage to the ceramic thermowell, safety seal or foam protection will only be acknowledged if the damage is documented with pictures. In this context, the safety seal may not yet have been removed.

6.



A0041491

Remove the safety seal.

↳ The safety seal fitted on the device is linked to the order number of the thermometer via the number on the seal.

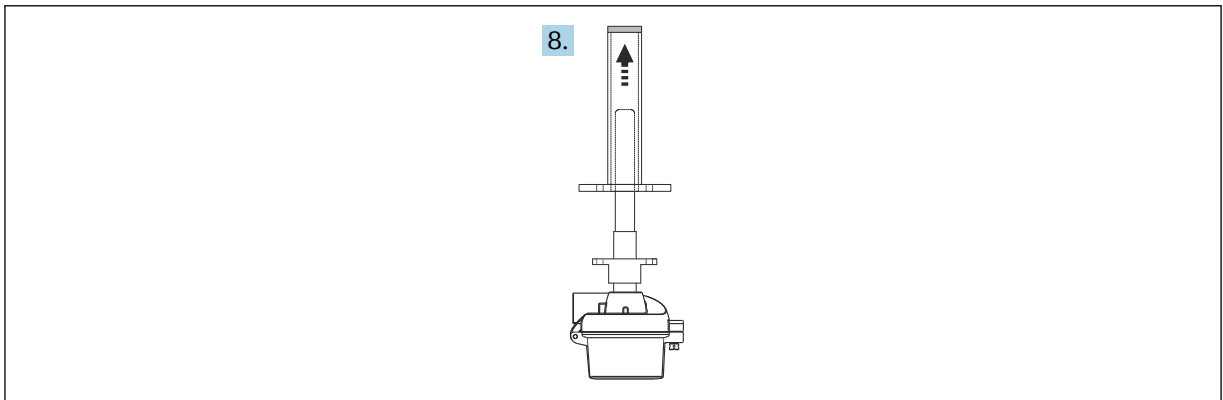
7.

Remove the nuts and screws.

8.

Carefully remove the metal protective tube.

↳



A0041492