

# Technical Information

## Micropilot FMR30B

Free-space radar  
HART



### Level measurement in liquids and bulk solids

#### Application

- Continuous, non-contact level measurement of liquids and bulk solids
- Degree of protection: IP66/67 / NEMA Type 4X
- Maximum measuring range up to 30 m (98 ft)
- Process temperature: -40 to 80 °C (-40 to 176 °F)
- Process pressure: -1 to 3 bar (-14 to 43 psi)
- Accuracy: Up to ± 2 mm (0.08 in)
- International explosion protection certificates

#### Your benefits











- Onsite display with touch control for quick status detection and easy operation
- Easy, guided commissioning with intuitive user interface
- Radar measuring device with *Bluetooth*® wireless technology and HART communication
- Easy, reliable and encrypted wireless remote access – ideal for difficult-to-reach installations, even in hazardous areas
- Commissioning, operation and maintenance via free iOS/Android app SmartBlue – saves time and reduces costs
- Flow measurement in open channels or weirs with totalizer

## Table of contents

<b>About this document</b> . . . . .	<b>4</b>	<b>Environment</b> . . . . .	<b>22</b>
Symbols . . . . .	4	Ambient temperature range . . . . .	22
List of abbreviations . . . . .	4	Storage temperature . . . . .	22
Graphic conventions . . . . .	5	Climate class . . . . .	22
<b>Function and system design</b> . . . . .	<b>5</b>	Operating height . . . . .	22
Measuring principle . . . . .	5	Degree of protection . . . . .	22
Measuring system . . . . .	6	Vibration resistance . . . . .	22
Communication and data processing . . . . .	6	Electromagnetic compatibility (EMC) . . . . .	22
Dependability . . . . .	6	<b>Process</b> . . . . .	<b>23</b>
Device-specific IT security . . . . .	6	Process temperature, process pressure . . . . .	23
<b>Input</b> . . . . .	<b>6</b>	Relative permittivity . . . . .	23
Measured variable . . . . .	6	<b>Mechanical construction</b> . . . . .	<b>24</b>
Measuring range . . . . .	6	Dimensions . . . . .	24
Operating frequency . . . . .	10	Weight . . . . .	25
Transmission power . . . . .	11	Materials . . . . .	26
<b>Output</b> . . . . .	<b>11</b>	<b>Operability</b> . . . . .	<b>26</b>
Output signal . . . . .	11	Operation concept . . . . .	26
Signal on alarm for devices with current output . . . . .	11	Languages . . . . .	26
Load . . . . .	11	Onsite display . . . . .	27
Damping . . . . .	11	Remote operation . . . . .	28
Ex connection data . . . . .	11	Supported operating tools . . . . .	28
Linearization . . . . .	11	<b>Certificates and approvals</b> . . . . .	<b>29</b>
Totalizer . . . . .	12	Radio standard EN 302729 . . . . .	29
Protocol-specific data . . . . .	12	FCC . . . . .	30
<b>Power supply</b> . . . . .	<b>13</b>	Industry Canada . . . . .	30
Terminal assignment . . . . .	13	<b>Ordering information</b> . . . . .	<b>30</b>
Supply voltage . . . . .	13	Identification . . . . .	31
Power consumption . . . . .	13	Factory verification certificate . . . . .	31
Potential equalization . . . . .	13	Service . . . . .	31
Connecting the device . . . . .	13	<b>Application packages</b> . . . . .	<b>31</b>
Cable specification . . . . .	15	Heartbeat Technology . . . . .	32
Overvoltage protection . . . . .	16	<b>Accessories</b> . . . . .	<b>32</b>
<b>Performance characteristics</b> . . . . .	<b>16</b>	Weather protective cover . . . . .	32
Reference conditions . . . . .	16	Securing nut G 1½" . . . . .	33
Response time . . . . .	16	Securing nut G 2" . . . . .	33
Resolution . . . . .	16	Uni adapter G 1½" > G 2" . . . . .	33
Maximum measurement error . . . . .	16	Uni adapter MNPT 1½" > MNPT 2" . . . . .	34
Influence of ambient temperature . . . . .	17	Mounting bracket, adjustable, wall, 75 mm . . . . .	34
Response time . . . . .	18	Mounting bracket, adjustable, wall, 200 mm . . . . .	35
Warm-up time (according to IEC 62828-4) . . . . .	18	Angle bracket for wall mounting . . . . .	36
<b>Installation</b> . . . . .	<b>18</b>	Cantilever, pivotable . . . . .	36
Installation types . . . . .	18	UNI slip-on flange 3"/DN80/80, PP . . . . .	40
Mounting location . . . . .	19	UNI slip-on flange 4"/DN100/100, PP . . . . .	41
Orientation . . . . .	19	UNI slip-on flange 6"/DN150/150, PP . . . . .	42
Installation instructions . . . . .	19	UNI flange 2"/DN50/50, PP . . . . .	43
Beam angle . . . . .	20	UNI flange 3"/DN80/80, PP . . . . .	43
Weather protective cover . . . . .	21	UNI flange 4"/DN100/100, PP . . . . .	44
Installation with mounting bracket, adjustable . . . . .	21	Adjustable flange seal . . . . .	46
Cantilever installation, with pivot . . . . .	21	RIA15 in the field housing . . . . .	47
		HART communication resistor . . . . .	47

DeviceCare SFE100 . . . . .	48
FieldCare SFE500 . . . . .	48
Device Viewer . . . . .	48
Commubox FXA195 HART . . . . .	48
RN22 . . . . .	48
RN42 . . . . .	48
Field Xpert SMT70 . . . . .	48
Field Xpert SMT77 . . . . .	48
SmartBlue app . . . . .	48
RMA42 . . . . .	48
<b>Documentation . . . . .</b>	<b>48</b>
Standard documentation . . . . .	49
Supplementary device-dependent documentation . . . . .	49
<b>Registered trademarks . . . . .</b>	<b>49</b>

## About this document

<b>Symbols</b>	<p><b>Safety symbols</b></p> <p> <b>DANGER</b> This symbol alerts you to a dangerous situation. Failure to avoid this situation will result in serious or fatal injury.</p> <p> <b>WARNING</b> This symbol alerts you to a dangerous situation. Failure to avoid this situation can result in serious or fatal injury.</p> <p> <b>CAUTION</b> This symbol alerts you to a dangerous situation. Failure to avoid this situation can result in minor or medium injury.</p> <p><b>NOTICE</b> This symbol contains information on procedures and other facts which do not result in personal injury.</p> <p><b>Communication-specific symbols</b></p> <p><b>Bluetooth®:</b>  Wireless data transmission between devices over a short distance</p> <p><b>Symbols for certain types of information</b></p> <p><i>Permitted:</i>  Procedures, processes or actions that are permitted.</p> <p><i>Forbidden:</i>  Procedures, processes or actions that are forbidden.</p> <p><i>Additional information:</i> </p> <p><i>Reference to documentation:</i> </p> <p><i>Reference to page:</i> </p> <p><i>Series of steps:</i> <a href="#">1.</a>, <a href="#">2.</a>, <a href="#">3.</a></p> <p><i>Result of an individual step:</i> </p> <p><b>Symbols in graphics</b></p> <p><i>Item numbers:</i> 1, 2, 3 ...</p> <p><i>Series of steps:</i> <a href="#">1.</a>, <a href="#">2.</a>, <a href="#">3.</a></p> <p><i>Views:</i> A, B, C, ...</p>
<b>List of abbreviations</b>	<p><b>PN</b> Nominal pressure</p> <p><b>MWP</b> Maximum working pressure The maximum working pressure is indicated on the nameplate.</p> <p><b>ToF</b> Time of Flight</p> <p><b>DTM</b> Device Type Manager</p> <p><b><math>\epsilon_r</math> (Dk value)</b> Relative dielectric constant</p> <p><b>Operating tool</b></p>

The term "operating tool" is used in place of the following operating software:

- FieldCare / DeviceCare, for operation via HART communication and PC
- SmartBlue app, for operation using an Android or iOS smartphone or tablet

**PLC**

Programmable logic controller (PLC)

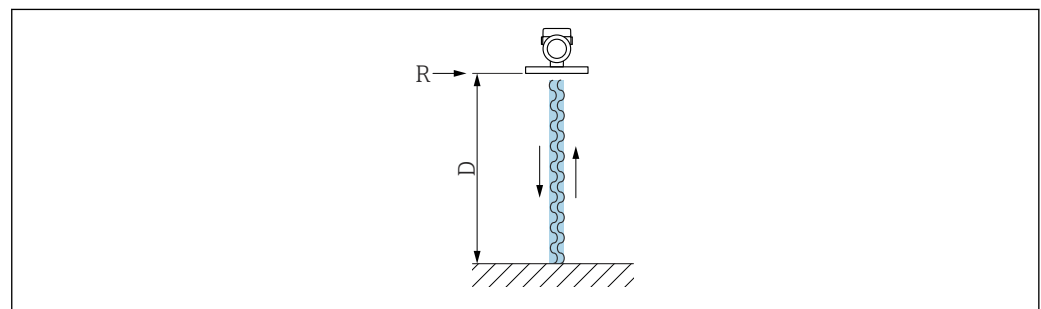
**Graphic conventions**

- Installation, explosion and electrical connection drawings are presented in simplified format
- Devices, assemblies, components and dimensional drawings are presented in reduced-line format
- Dimensional drawings are not to-scale representations; the dimensions indicated are rounded off to 2 decimal places
- Unless otherwise described, flanges are presented with sealing surface form EN 1092-1; ASME B16.5, RF.

## Function and system design

**Measuring principle**

The Micropilot is a "downward-looking" measuring system, operating based on the frequency modulated continuous wave method (FMCW). The antenna emits an electromagnetic wave at a continuously varying frequency. This wave is reflected by the product and received again by the antenna.



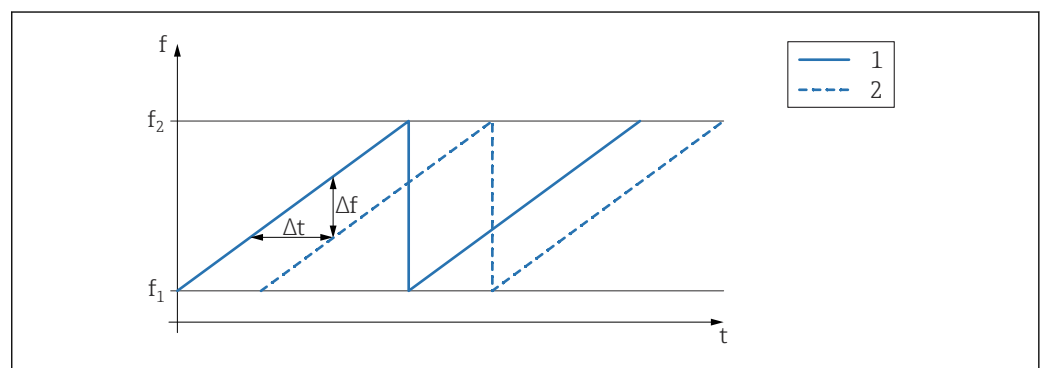
A0032017

1 FMCW principle: Transmission and reflection of the continuous wave

R Reference point of measurement

D Distance between reference point and product surface

The frequency of this wave is modulated in the form of a sawtooth signal between two limit frequencies  $f_1$  and  $f_2$ :



A0023771

2 FMCW principle: Result of frequency modulation

1 Transmitted signal

2 Received signal

This results in the following difference frequency at any time between the transmitted signal and the received signal:

$$\Delta f = k \Delta t$$

where  $\Delta t$  is the run time and  $k$  is the specified increase in frequency modulation.

$\Delta t$  is given by the distance  $D$  between the reference point  $R$  and the product surface:

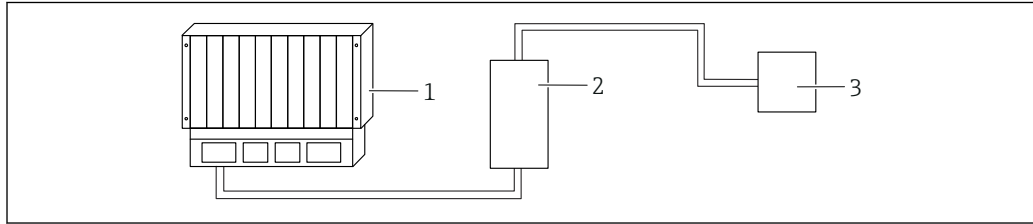
$$D = (c \Delta t) / 2$$

where  $c$  is the wave velocity.

In summary,  $D$  can be calculated from the measured difference frequency  $\Delta f$ .  $D$  is then used to determine the fill level or flow rate.

**Measuring system**

A complete measuring system comprises:



- 1 PLC (programmable logic controller)
- 2 RMA42/RIA45 (if necessary)
- 3 Device

A0053220

**Communication and data processing**

- 4 to 20 mA with superimposed digital communication protocol HART, 2-wire
- Bluetooth (optional)

**Dependability**

**IT security**

Our warranty is valid only if the product is installed and used as described in the Operating Instructions. The product is equipped with security mechanisms to protect it against any inadvertent changes to the settings.

IT security measures, which provide additional protection for the product and associated data transfer, must be implemented by the operators themselves in line with their security standards.

**Device-specific IT security**

The device offers specific functions to support protective measures by the operator. These functions can be configured by the user and guarantee greater in-operation safety if used correctly. The user role can be changed with an access code (applies to operation via the onsite display, Bluetooth or FieldCare, DeviceCare, Asset Management Tools e.g. AMS, PDM)

**Access via Bluetooth® wireless technology**

Secure signal transmission via Bluetooth® wireless technology uses an encryption method tested by the Fraunhofer Institute.

- Without the SmartBlue app, the device is not visible via Bluetooth® wireless technology.
- Only one point-to-point connection is established between the device and a smartphone or tablet.
- The Bluetooth® wireless technology interface can be disabled via onsite operation (optional) or SmartBlue.

# Input

**Measured variable**

The measured variable is the distance between the reference point and the product surface. The level is calculated based on **E**, the empty distance entered.

**Measuring range**

The measuring range starts at the point where the beam hits the tank floor. Levels below this point cannot be measured, particularly in the case of spherical bases or conical outlets.

**Maximum measuring range**

The maximum measuring range depends on the antenna size.

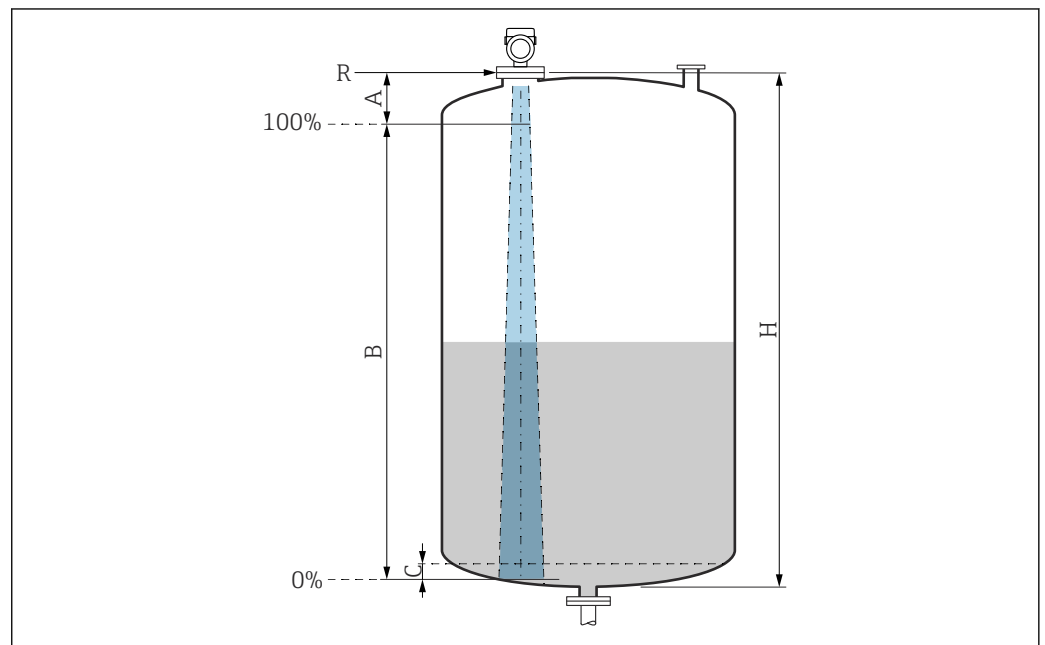
Antenna	Maximum measuring range
40 mm (1.5 in)	20 m (65.6 ft)
80 mm (3 in)	30 m (98.4 ft)

**Usable measuring range**

The usable measuring range depends on the antenna size, the medium's reflective properties, the installation position and any possible interference reflections.

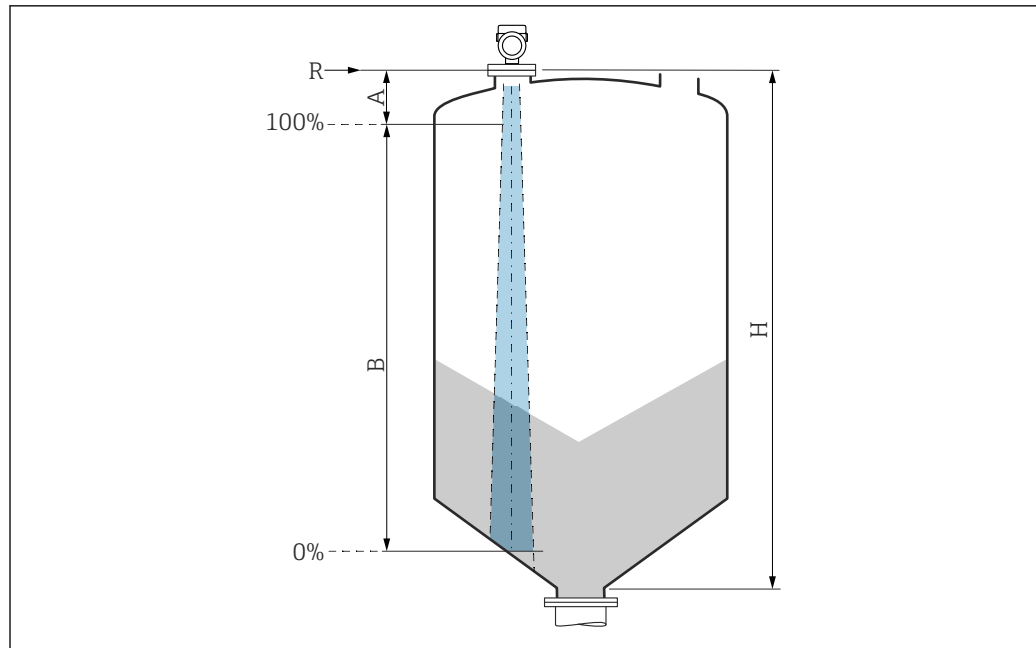
In principle, measurement is possible up to the tip of the antenna.

Depending on the position of the product (angle of repose for solids) and to avoid any material damage from corrosive or aggressive media or deposit buildup on the antenna, the end of the measuring range should be selected 10 mm (0.4 in) before the tip of the antenna.



A0051658

- A Antenna tip + 10 mm (0.4 in)
- B Usable measuring range
- C 50 to 80 mm (1.97 to 3.15 in); Medium  $\epsilon_r \leq 2$
- H Vessel height
- R Reference point of the measurement, varies depending on the antenna system (see section on Mechanical construction)



A0051659

- A** Antenna tip + 10 mm (0.4 in)  
**B** Usable measuring range  
**H** Vessel height  
**R** Reference point of the measurement, varies depending on the antenna system (see section on Mechanical construction)

In the case of media with a low dielectric constant  $\epsilon_r < 2$ , the tank bottom may be visible through the medium when levels are very low (less than level C). Reduced accuracy must be expected in this range. If this is not acceptable, the zero point should be positioned at a distance C above the tank bottom for these applications (see figure).

The media groups and the possible measuring range are described as a function of the application and media group in the following section. If the relative permittivity of the medium is not known, to ensure a reliable measurement assume the medium belongs to group B.

#### Media groups

- **A** ( $\epsilon_r$  1.4 to 1.9)  
Non-conductive liquids, e.g. liquefied gas
- **B** ( $\epsilon_r$  1.9 to 4)  
Non-conductive liquids, e.g. gasoline, oil, toluene, etc.
- **C** ( $\epsilon_r$  4 to 10)  
e.g. concentrated acid, organic solvents, ester, aniline, etc.
- **D** ( $\epsilon_r > 10$ )  
Conductive liquids, aqueous solutions, diluted acids, bases and alcohol

**i** For the relative permittivity values ( $\epsilon_r$  values) of many media commonly used in industry, please refer to:

- Relative permittivity ( $\epsilon_r$  value), Compendium CP01076F
- The Endress+Hauser "DC Values app" (available for Android and iOS)

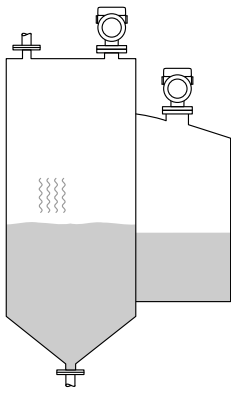
*Measurement in storage vessel*

#### Storage vessel - measuring conditions

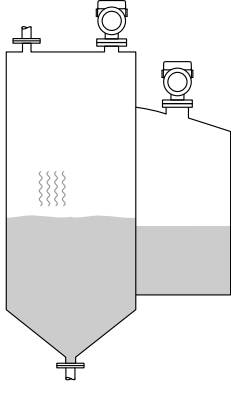
Calm medium surface (e.g. bottom filling, filling via immersion tube or rare filling from above)



40 mm (1.5 in) antenna in storage vessel

	Media group	Measuring range
	A ( $\epsilon_r$ 1.4 to 1.9)	10 m (33 ft)
	B ( $\epsilon_r$ 1.9 to 4)	20 m (65.6 ft)
	C ( $\epsilon_r$ 4 to 10)	20 m (65.6 ft)
	D ( $\epsilon_r >10$ )	20 m (65.6 ft)

80 mm (3 in) antenna in storage vessel

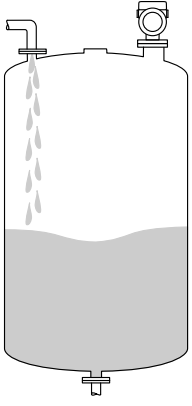
	Media group	Measuring range
	A ( $\epsilon_r$ 1.4 to 1.9)	12 m (39 ft)
	B ( $\epsilon_r$ 1.9 to 4)	23 m (75 ft)
	C ( $\epsilon_r$ 4 to 10)	30 m (98 ft)
	D ( $\epsilon_r >10$ )	30 m (98 ft)

Measurement in buffer vessel

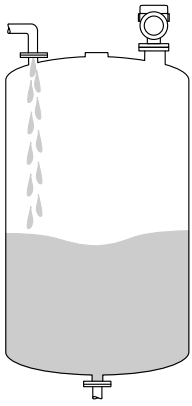
**Buffer vessel - measuring conditions**

Moving medium surface (e.g. permanent free filling from above, mixing jets)

40 mm (1.5 in) antenna in buffer vessel

	Media group	Measuring range
	A ( $\epsilon_r$ 1.4 to 1.9)	7 m (23 ft)
	B ( $\epsilon_r$ 1.9 to 4)	13 m (43 ft)
	C ( $\epsilon_r$ 4 to 10)	20 m (65.6 ft)
	D ( $\epsilon_r >10$ )	20 m (65.6 ft)

80 mm (3 in) antenna in buffer vessel

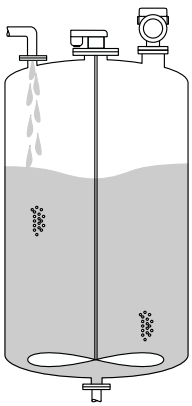
	Media group	Measuring range
	A ( $\epsilon_r$ 1.4 to 1.9)	7.5 m (25 ft)
	B ( $\epsilon_r$ 1.9 to 4)	15 m (49 ft)
	C ( $\epsilon_r$ 4 to 10)	28 m (92 ft)
	D ( $\epsilon_r$ >10)	30 m (98 ft)

Measurement in vessel with agitator

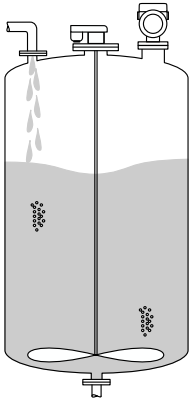
**Vessel with agitator - measuring conditions**

Turbulent medium surface (e.g. from filling from above, stirrers and baffles)

40 mm (1.5 in) antenna in vessel with agitator

	Media group	Measuring range
	A ( $\epsilon_r$ 1.4 to 1.9)	4 m (13 ft)
	B ( $\epsilon_r$ 1.9 to 4)	5 m (16.4 ft)
	C ( $\epsilon_r$ 4 to 10)	13 m (43 ft)
	D ( $\epsilon_r$ >10)	20 m (65.6 ft)

80 mm (3 in) antenna in vessel with agitator

	Media group	Measuring range
	A ( $\epsilon_r$ 1.4 to 1.9)	4 m (13 ft)
	B ( $\epsilon_r$ 1.9 to 4)	7 m (23 ft)
	C ( $\epsilon_r$ 4 to 10)	15 m (49 ft)
	D ( $\epsilon_r$ >10)	25 m (82 ft)

Operating frequency

approx. 80 GHz

Up to eight devices can be installed in a tank without the devices mutually influencing one another.

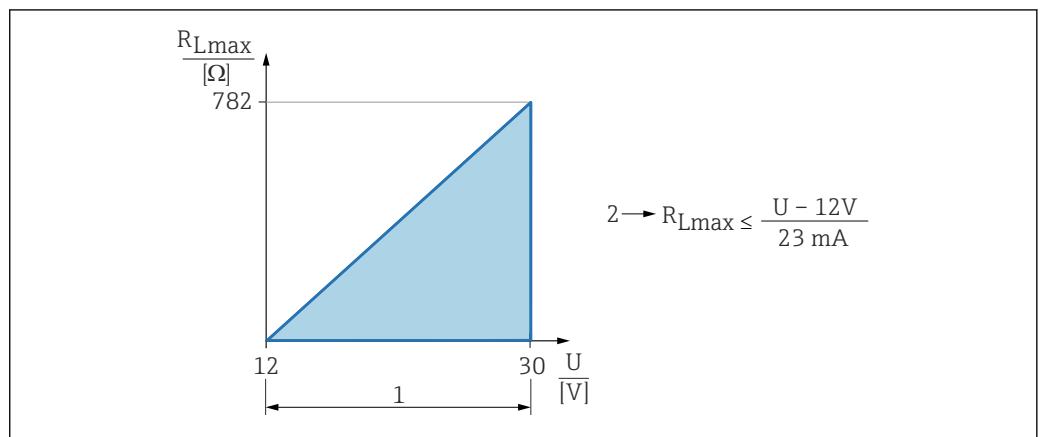
- Transmission power**
- Peak power: <1.5 mW
  - Average output power: <70 μW

## Output

- Output signal**
- 4 to 20 mA with superimposed digital communication protocol HART, 2-wire
  - The current output offers a choice of three different operating modes:
    - 4 to 20.5 mA
    - NAMUR NE 43: 3.8 to 20.5 mA (factory setting)
    - US mode: 3.9 to 20.5 mA

- Signal on alarm for devices with current output**
- Current output**  
 Signal on alarm in accordance with NAMUR recommendation NE 43.
- Max. alarm: can be set from 21.5 to 23 mA
  - Min. alarm: < 3.6 mA (factory setting)
- Onsite display and operating tool via digital communication**  
 Status signal (according to NAMUR Recommendation NE 107):  
 Plain text display

**Load** In order to guarantee sufficient terminal voltage, a maximum load resistance  $R_L$  (including line resistance) must not be exceeded, depending on the supply voltage  $U$  of the supply unit.



- 1 Power supply 12 to 30 V  
 2  $R_{Lmax}$  maximum load resistance  
 U Supply voltage

If load is too great:

- Failure current is indicated and error message is displayed (indication: MIN alarm current)
- Periodic checking to establish if it is possible to quit fault state

Operation via handheld terminal or PC with operating program: take minimum communication resistor of 250 Ω into consideration.

**Damping** Damping affects all continuous outputs.  
 Factory setting: 0 s (can be set from 0 to 999 s)

**Ex connection data** See the separate technical documentation (Safety Instructions (XA)) on [www.endress.com/download](http://www.endress.com/download).

**Linearization** The linearization function of the device allows the conversion of the measured value into any unit of length, weight, flow or volume.

**Pre-programmed linearization curves**

Linearization tables for calculating the volume in the following vessels are pre-programmed into the device:

- Pyramid bottom
- Conical bottom
- Angled bottom
- Horizontal cylinder
- Sphere

Linearization tables for calculating the flow rate are pre-programmed into the device and include the following:

- Flumes
  - Khafagi-Venturi flume
  - Venturi flume
  - Parshall flume
  - Palmer-Bowlus flume
  - Trapezoidal flume (ISO 4359)
  - Rectangular flume (ISO 4359)
  - U-shaped flume (ISO 4359)
- Weirs
  - Trapezoidal weir
  - Rectangular broad-crested weir (ISO 3846)
  - Rectangular thin-plate weir (ISO 1438)
  - Triangular thin-plate weir (ISO 1438)
- Standard formula

Other linearization tables of up to 32 value pairs can be entered manually.

---

#### Totalizer

The device offers a totalizer which adds up the flow rate. The totalizer cannot be reset.

---

#### Protocol-specific data

##### Manufacturer ID:

17(0x0011)

##### Device type ID:

0x11DE

##### Device revision:

1

##### HART specification:

7.6

##### DD version:

1

##### Device description files (DTM, DD)

Information and files available at:

- [www.endress.com](http://www.endress.com)  
On the product page for the device: Documents/Software → Device drivers
- [www.fieldcommgroup.org](http://www.fieldcommgroup.org)

##### HART load:

Min. 250 Ω

The following measured values are assigned to the device variables at the factory:

Device variable	Measured value
Primary variable (PV) <sup>1)</sup>	Level linearized
Secondary variable (SV)	Distance
Tertiary variable (TV)	Absolute echo amplitude
Quaternary variable (QV)	Relative echo amplitude

1) The PV is always applied to the current output.

##### Choice of HART device variables

- Level linearized
- Distance
- Electronics temperature

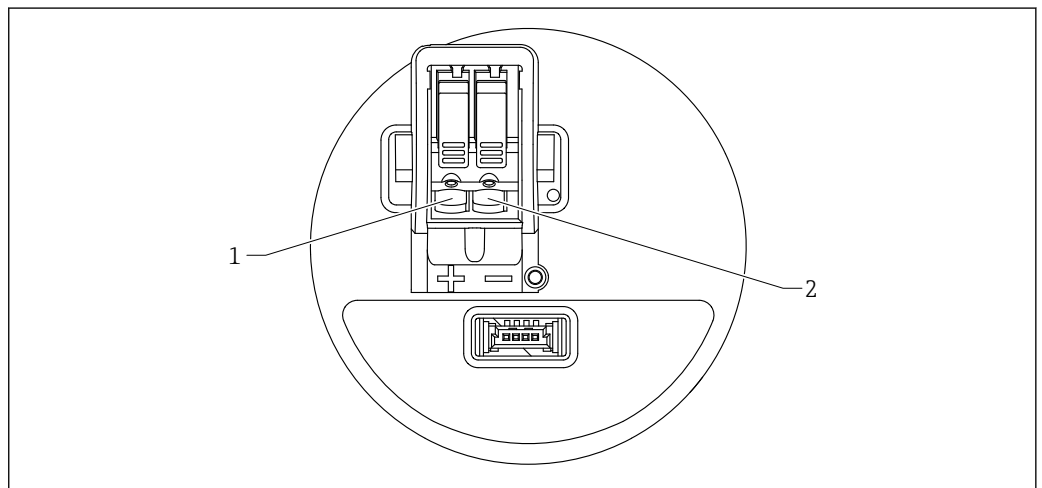
- Sensor temperature
- Absolute echo amplitude
- Relative echo amplitude
- Area of incoupling
- Percent of range
- Loop current
- Flow
- Totalizer value
- Not used

**Supported functions**

- Burst mode
- Additional transmitter status
- Device locking

## Power supply

**Terminal assignment**



3 Terminal assignment

- 1 Positive terminal
- 2 Negative terminal

**Supply voltage**

12 to 30 V<sub>DC</sub> on a direct current power unit

**i** The power unit must be safety-approved (e.g. PELV, SELV, Class 2) and must comply with the relevant protocol specifications.

Protective circuits against reverse polarity, HF influences and overvoltage peaks are installed.

**Power consumption**

- Non-hazardous area: To meet device safety specifications according to the IEC/EN 61010 standard, the installation must ensure that the maximum current is limited to 500 mA.
- Hazardous area: The maximum current is restricted to I<sub>i</sub> = 100 mA by the transmitter power supply unit when the measuring instrument is used in an intrinsically safe circuit (Ex ia).

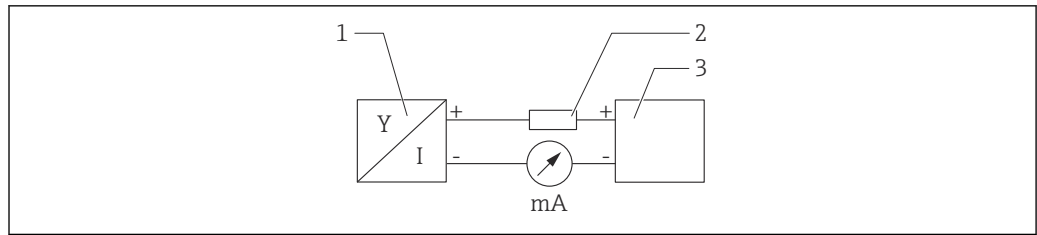
**Potential equalization**

No special measures for potential equalization are required.

**Connecting the device**

**Function diagram of 4 to 20 mA HART**

Connection of the device with HART communication, power source and 4 to 20 mA indicator



4 Function diagram of HART connection

- 1 Device with HART communication
- 2 HART resistor
- 3 Power supply

**i** The HART communication resistor of 250 Ω in the signal line is always necessary in the case of a low-impedance power supply.

**The voltage drop to be taken into account is:**  
Max. 6 V for 250 Ω communication resistor

**Function diagram of HART device, connection with RIA15, display only without operation, without communication resistor**

**i** The RIA15 remote display can be ordered together with the device.

**i** Alternatively available as an accessory, for details see Technical Information TI01043K and Operating Instructions BA01170K

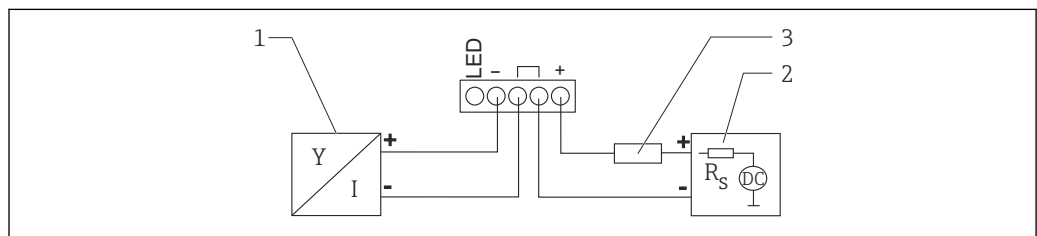
**Terminal assignment RIA15**

- +  
Positive connection, current measurement
- -  
Negative connection, current measurement (without backlighting)
- LED  
Negative connection, current measurement (with backlighting)
- $\perp$   
Functional grounding: Terminal in housing

**i** The RIA15 process indicator is loop-powered and does not require any external power supply.

- The voltage drop to be taken into account is:**
- ≤1 V in the standard version with 4 to 20 mA communication
  - ≤1.9 V with HART communication
  - and an additional 2.9 V if display light is used

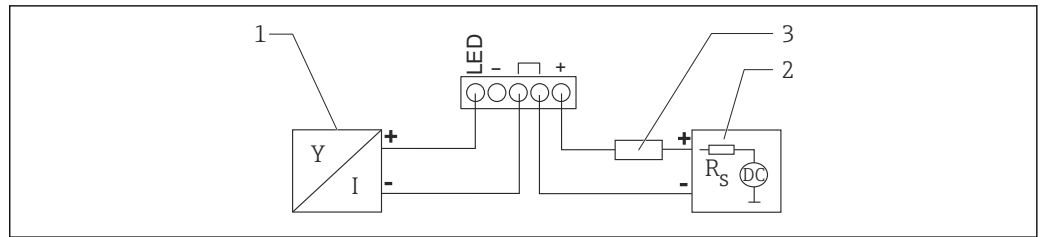
*Connection of the HART device and RIA15 without backlighting*



5 Function diagram of HART device with RIA15 process indicator without light

- 1 Device with HART communication
- 2 Power supply
- 3 HART resistor

Connection of the HART device and RIA15 with backlighting



A0019568

6 Function diagram of HART device with RIA15 process indicator with light

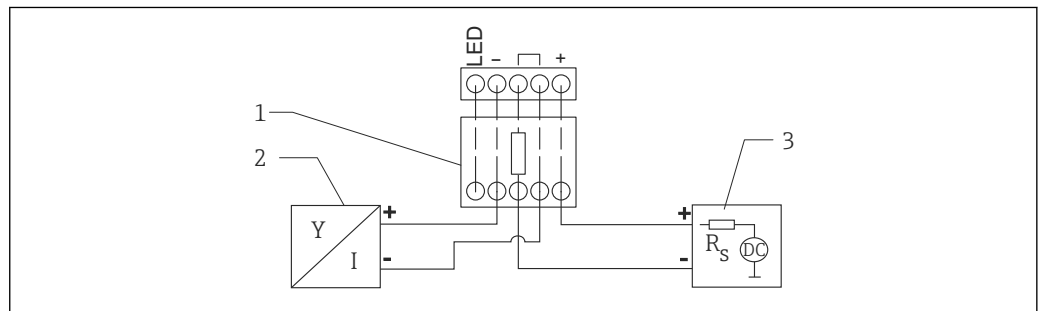
- 1 Device with HART communication
- 2 Power supply
- 3 HART resistor

Function diagram of HART device, RIA15 display with operation, with communication resistor

**i** The voltage drop to be taken into account is:  
Max. 7 V

**b** Alternatively available as an accessory, for details see Technical Information TI01043K and Operating Instructions BA01170K

Connection of the HART communication resistor module, RIA15 without backlighting

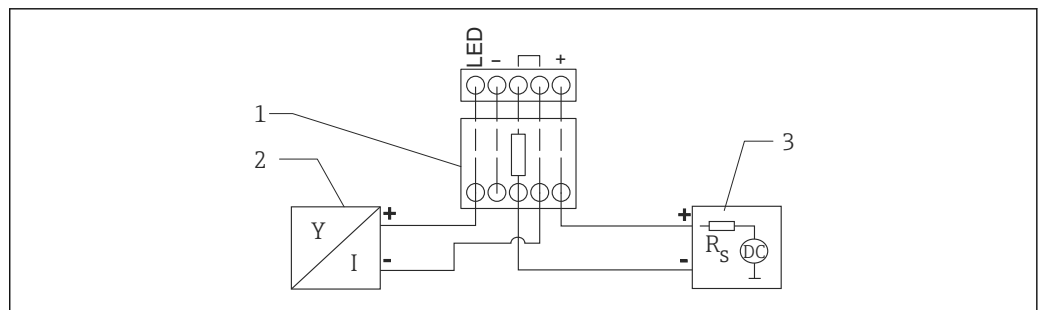


A0020839

7 Function diagram of HART device, RIA15 without light, HART communication resistor module

- 1 HART communication resistor module
- 2 Device with HART communication
- 3 Power supply

Connection of the HART communication resistor module, RIA15 with backlighting



A0020840

8 Function diagram of HART device, RIA15 with light, HART communication resistor module

- 1 HART communication resistor module
- 2 Device with HART communication
- 3 Power supply

Cable specification

**Rated cross-section**  
0.5 to 2.5 mm<sup>2</sup> (20 to 13 AWG)

**Cable outer diameter**  
 ø5 to 10 mm (0.2 to 0.38 in)

---

**Overvoltage protection**

The device satisfies the IEC/DIN EN 61326-1 product standard (Table 2 Industrial environment). Depending on the type of connection (DC power supply, input line, output line), different test levels are used to prevent transient overvoltages (IEC/DIN EN 61000-4-5 Surge) in accordance with IEC/DIN EN 61326-1: Test level for DC power supply lines and IO lines: 1 000 V wire to ground.

**Overvoltage category**

In accordance with IEC/DIN EN 61010-1, the device is intended for use in networks with overvoltage protection category II.

---

## Performance characteristics

---

**Reference conditions**

- As per IEC 62828-2
- Ambient temperature  $T_A$  = constant, in the range of +21 to +33 °C (+70 to +91 °F)
- Humidity  $\phi$  = constant, in the range of: 5 to 80 % RH  $\pm$  5 %
- Atmospheric pressure  $p_A$  = constant, in the range of: 860 to 1 060 mbar (12.47 to 15.37 psi)
- Load with HART: 250  $\Omega$
- Supply voltage:  $24 V_{DC} \pm 3 V_{DC}$
- Reflector: metal plate with diameter  $\geq$  1 m (40 in)
- No major interference reflections inside the signal beam

---

**Response time**

- HART: acyclic: min. 330 ms, typically 590 ms (depending on commands and number of preambles)
- HART: Cyclic (burst): min. 160 ms, typically 350 ms (depending on commands and number of preambles)

---

**Resolution**

Current output:  $< 1 \mu A$   
 Digital: 1 mm (0.04 in)

---

**Maximum measurement error**
**Reference accuracy**
**Accuracy**

The accuracy is the sum of the non-linearity, non-repeatability and hysteresis.

For liquids:


- Measuring distance up to 0.25 m (0.82 ft): max.  $\pm 10$  mm ( $\pm 0.39$  in)
- Measuring distance  $> 0.25$  m (0.82 ft):  $\pm 2$  mm ( $\pm 0.08$  in)

For solids:

- Measuring distance up to 0.8 m (2.6 ft): max.  $\pm 20$  mm ( $\pm 0.79$  in)
- Measuring distance  $> 0.8$  m (2.6 ft):  $\pm 4$  mm ( $\pm 0.16$  in)

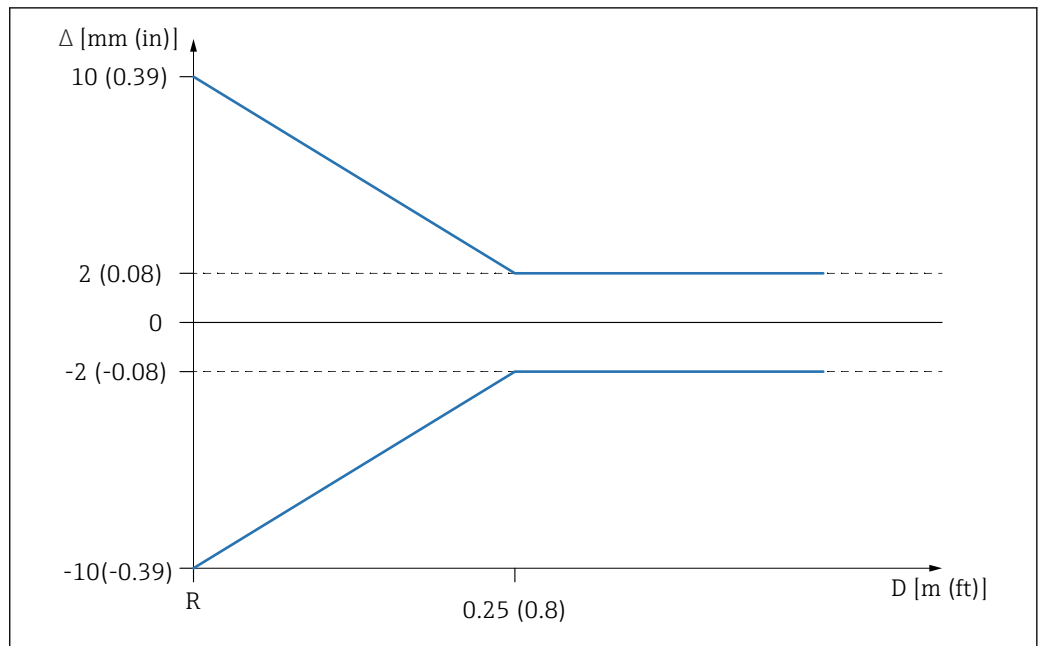
**Non-repeatability**

Non-repeatability is already included in the accuracy.  
 $\leq 1$  mm (0.04 in)

 If conditions deviate from the reference operating conditions, the offset/zero point that results from the installation conditions can be up to  $\pm 4$  mm ( $\pm 0.16$  in). This additional offset/zero point can be eliminated by entering a correction (**Level correction** parameter) during commissioning.



**Differing values in near-range applications for liquids**



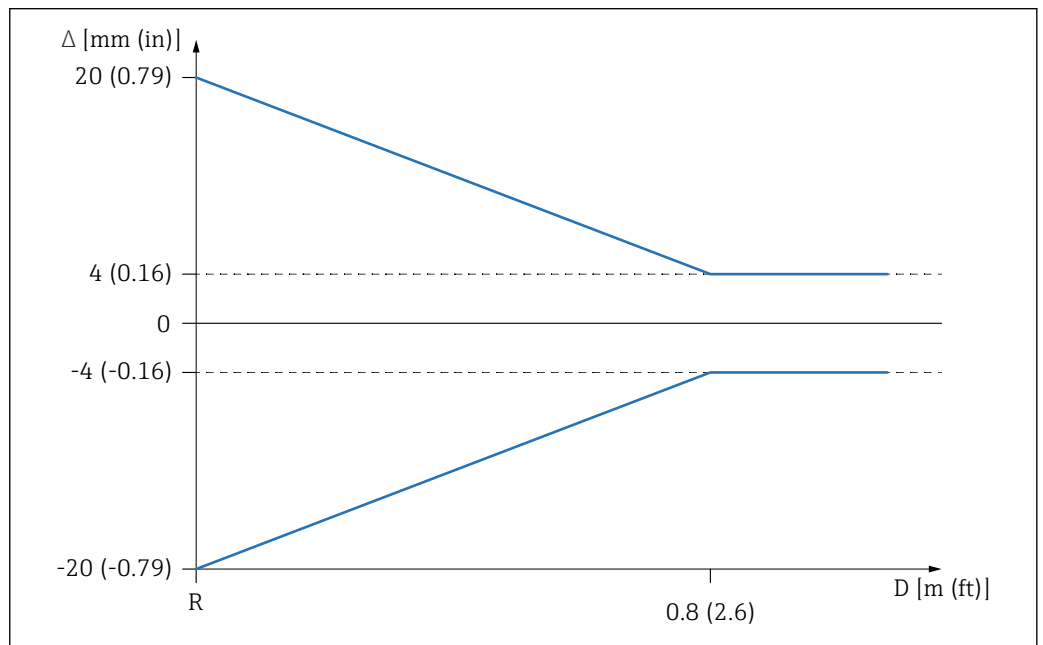
9 Maximum measurement error in near-range applications

$\Delta$  Maximum measurement error

$R$  Reference point of the distance measurement

$D$  Distance from reference point of antenna

**Differing values in near-range applications for solids**



10 Maximum measurement error in near-range applications

$\Delta$  Maximum measurement error

$R$  Reference point of the distance measurement

$D$  Distance from reference point of antenna

**Influence of ambient temperature**

The output changes due to the effect of the influence of ambient temperature with respect to the reference temperature.

The measurements are performed according to DIN EN IEC 61298-3 / DIN EN IEC 60770-1

**Digital output (HART)**Average  $T_C = \pm 2 \text{ mm } (\pm 0.08 \text{ in})/10 \text{ K}$ **Analog (current output)**

- Zero point (4 mA): average  $T_C = 0.02 \text{ %}/10 \text{ K}$
- Span (20 mA): average  $T_C = 0.05 \text{ %}/10 \text{ K}$

**Response time**

According to DIN EN IEC 61298-2 / DIN EN IEC 60770-1, the step response time is the time following an abrupt change in the input signal up until the changed output signal has adopted 90 % of the steady-state value for the first time.

The response time can be configured.

The following step response times apply (in accordance with DIN EN IEC 61298-2/DIN EN IEC 60770-1) when damping is switched off:

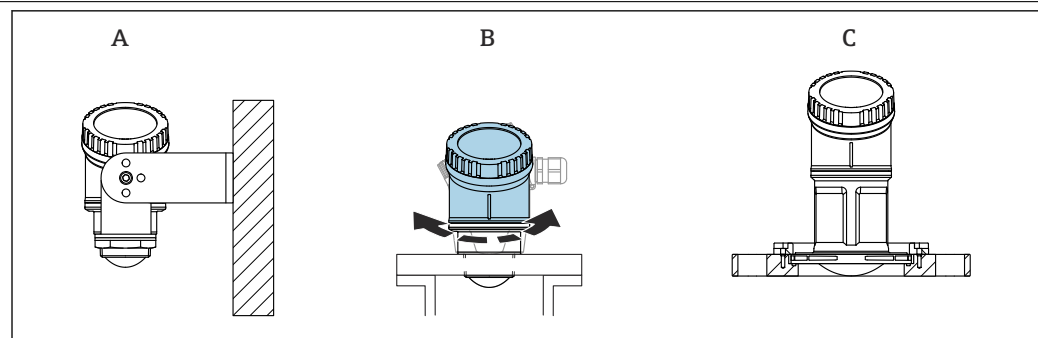
- Measuring rate  $\leq 250 \text{ ms}$  at operating voltage 24 V
- Step response time  $< 1 \text{ s}$

**Warm-up time (according to IEC 62828-4)**

The warm-up time indicates the time required for the sensor to reach its maximum accuracy or performance after the supply voltage is energized.

Warm-up time:  $\leq 30 \text{ s}$

## Installation

**Installation types**

**11** Wall or nozzle mounting

A Wall mounting adjustable

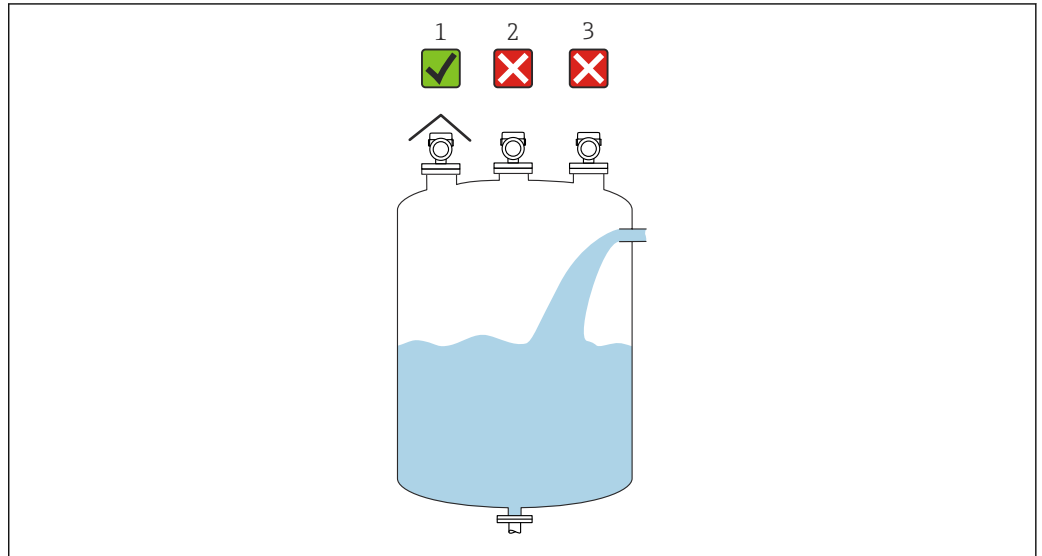
B Tightened at antenna end process connection, top housing section can be rotated

C Mounting with UNI slip-on flange

**Caution!**

- Always operate the device in a vertical position in free-space applications.
- For devices with an 80 mm antenna, installation is only possible with a UNI slip-on flange.

**Mounting location**

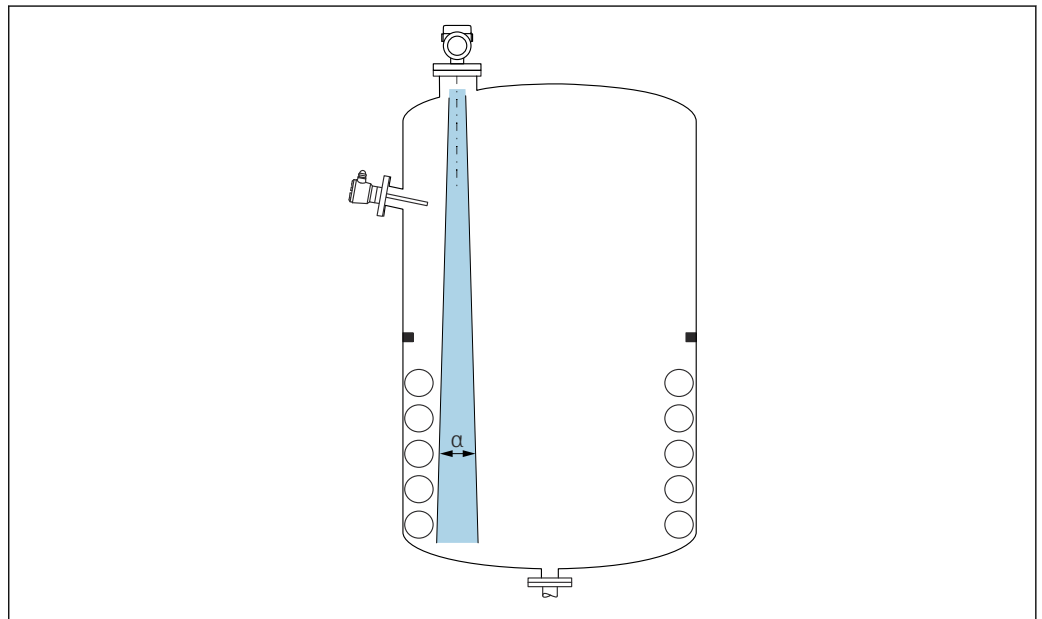


A0055811

- 1 Use of a weather protection cover; protection from direct sunlight or rain
- 2 Installation in the center, interference can cause incorrect signal evaluation
- 3 Do not install above the filling curtain

**Orientation**

**Internal vessel fittings**



A0031777

Avoid internal fittings (point level switches, temperature sensors, struts, vacuum rings, heating coils, baffles etc.) inside the signal beam. Pay attention to the beam angle  $\alpha$ .

**Vertical alignment of antenna axis**

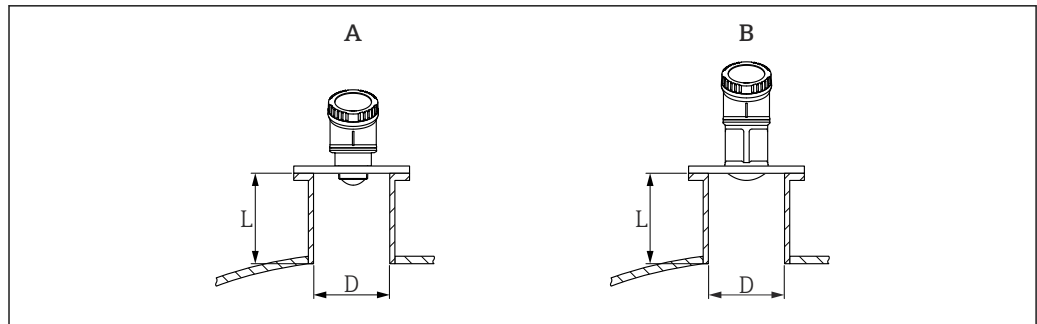
Align the antenna so that it is perpendicular to the product surface.



The maximum reach of the antenna can be reduced, or additional interference signals can occur, if the antenna is not installed perpendicular to the product.

**Installation instructions**

The interior of the nozzle must be smooth and must not contain any edges or welded joints. The edge of the nozzle should be rounded if possible.



A0055854

**12** Nozzle installation

- A 40 mm (1.5 in) antenna
- B 80 mm (3 in) antenna

The maximum nozzle length **L** depends on the nozzle diameter **D**.

Please note the limits for the diameter and length of the nozzle.

**40 mm (1.5 in) antenna**

- D: min. 40 mm (1.5 in)
- L: max. (D - 30 mm (1.2 in)) × 7.5

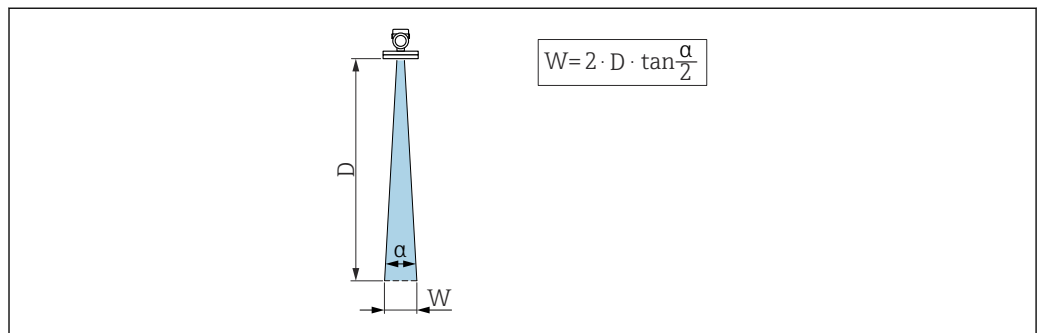
**80 mm (3 in) antenna**

- D: min. 80 mm (3 in)
- L: max. (D - 50 mm (2 in)) × 12

**Beam angle**

**Calculation**

The beam angle is defined as the angle  $\alpha$  at which the energy density of the radar waves reaches half the value of the maximum energy density (3dB width). Microwaves are also emitted outside the signal beam and can be reflected off interfering installations.



A0031824

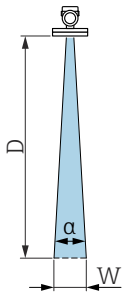
**13** Relationship between beam angle  $\alpha$ , distance **D** and beamwidth diameter **W**

**i** The beamwidth diameter **W** depends on the beam angle  $\alpha$  and the distance **D**.

**Antenna 40 mm (1.5 in),  $\alpha = 8^\circ$**

$W = D \times 0.14$	<b>D</b>	<b>W</b>
	5 m (16 ft)	0.70 m (2.29 ft)
	10 m (33 ft)	1.40 m (4.58 ft)
	15 m (49 ft)	2.09 m (6.87 ft)
	20 m (66 ft)	2.79 m (9.16 ft)

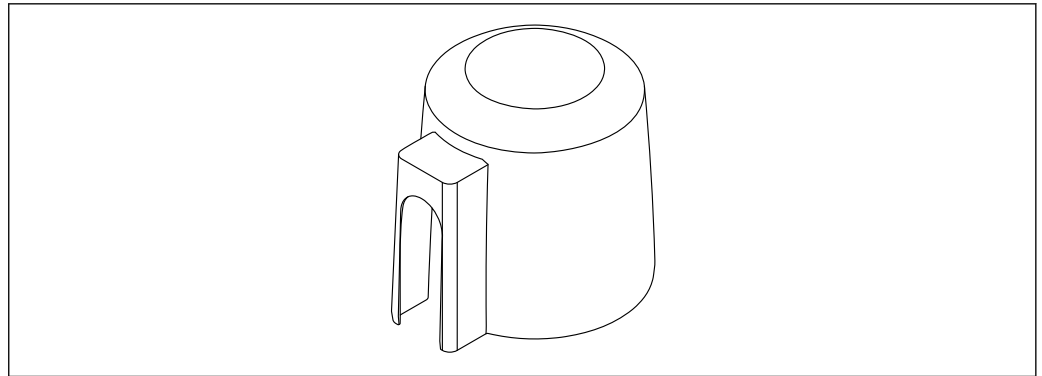
Antenna 80 mm (3 in),  $\alpha = 4^\circ$

$W = D \times 0.07$	D	W
	5 m (16 ft)	0.35 m (1.15 ft)
	10 m (33 ft)	0.70 m (2.30 ft)
	15 m (49 ft)	1.05 m (3.45 ft)
	20 m (66 ft)	1.40 m (4.59 ft)
	25 m (82 ft)	1.75 m (5.74 ft)
	30 m (98 ft)	2.10 m (6.89 ft)

**Weather protective cover**

A weather protective cover is recommended for outdoor use.

The weather protective cover can be ordered as an accessory or together with the device via the product structure "Accessory enclosed".



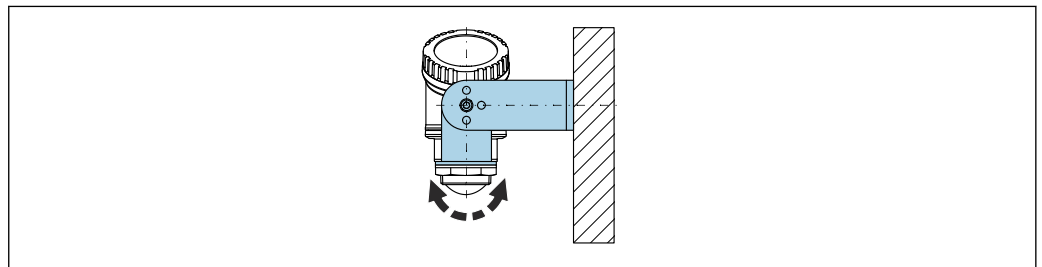
A0055360

14 Weather protective cover

**i** The sensor is not completely covered by the weather protective cover.

**Installation with mounting bracket, adjustable**

The mounting bracket can be ordered as an accessory or together with the device via the product structure "Accessory enclosed".



A0055857

15 Installation with mounting bracket, adjustable

Using the mounting bracket, position the antenna so that it is perpendicular to the product surface.

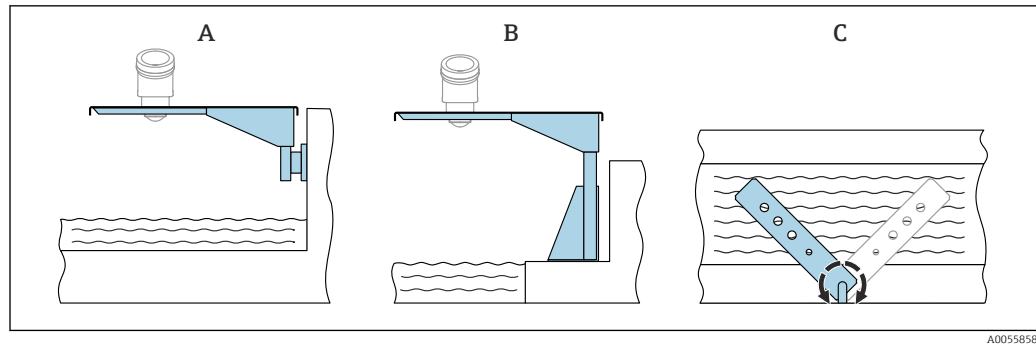
**NOTICE**

**There is no conductive connection between the mounting bracket and transmitter housing.**  
Electrostatic charging possible.

- ▶ Integrate the mounting bracket in the local potential equalization system.

**Cantilever installation, with pivot**

The cantilever, wall bracket and mounting frame can be ordered as accessories.



■ 16 Cantilever installation, with pivot

A Cantilever with wall bracket (side view)

B Cantilever with mounting frame (side view)

C Cantilever can be turned, e.g. in order to position the device over the center of the flume (top view)

#### NOTICE

**There is no conductive connection between the mounting bracket and transmitter housing.** Electrostatic charging possible.

- ▶ Integrate the mounting bracket in the local potential equalization system.

## Environment

<b>Ambient temperature range</b>	Measuring instrument: $-40$ to $+80$ °C ( $-40$ to $+176$ °F) If operating outdoors in strong sunlight: <ul style="list-style-type: none"> <li>■ Mount the device in the shade.</li> <li>■ Avoid direct sunlight, particularly in warmer climatic regions.</li> <li>■ Use a weather protective cover.</li> </ul>
<b>Storage temperature</b>	$-40$ to $+80$ °C ( $-40$ to $+176$ °F)
<b>Climate class</b>	According to IEC 60068-2-38 test Z/AD (relative humidity 4 to 100 %).
<b>Operating height</b>	Up to 5 000 m (16 404 ft) above sea level
<b>Degree of protection</b>	Test as per IEC 60529 Edition 2.2 2013-08/DIN EN 60529 2014-09 and NEMA 250-2014: <ul style="list-style-type: none"> <li>■ IP66, NEMA Type 4X</li> <li>■ IP67</li> </ul>
<b>Vibration resistance</b>	<ul style="list-style-type: none"> <li>■ Stochastic noise (random sweep) as per DIN EN 60068-2-64 Case 2/ IEC 60068-2-64 Case 2</li> <li>■ Guaranteed for 5 to 2 000 Hz: <math>1.25 (m/s^2)^2/Hz</math>, <math>\sim 5 g</math></li> </ul>
<b>Electromagnetic compatibility (EMC)</b>	<ul style="list-style-type: none"> <li>■ Electromagnetic compatibility as per EN 61326 series and NAMUR recommendation EMC (NE21)</li> <li>■ Maximum measured error during EMC testing: <math>&lt; 0.5</math> % of the span.</li> </ul> <p>For more details, refer to the EU Declaration of Conformity (<a href="http://www.endress.com/downloads">www.endress.com/downloads</a>).</p>

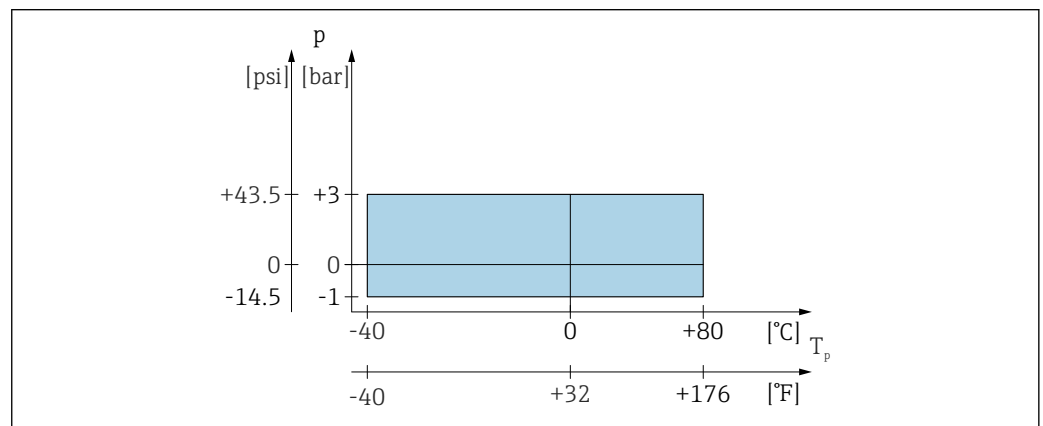
## Process

Process temperature, process pressure

### **⚠ WARNING**

The maximum pressure for the device depends on the lowest-rated component with regard to pressure (components are: process connection, optional mounted parts or accessories).

- ▶ Only operate the device within the specified limits for the components!
- ▶ MWP (Maximum Working Pressure): The MWP is specified on the nameplate. This value refers to a reference temperature of +20 °C (+68 °F) and may be applied to the device for an unlimited time. Note temperature dependence of MWP. For flanges, refer to the following standards for the permitted pressure values at higher temperatures: EN 1092-1 (with regard to their stability/temperature property, the materials 1.4435 and 1.4404 are grouped together under EN 1092-1; the chemical composition of the two materials can be identical), ASME B16.5, JIS B2220 (the latest version of the standard applies in each case). MWP data that deviate from this are provided in the relevant sections of the Technical Information.
- ▶ The Pressure Equipment Directive (2014/68/EU) uses the abbreviation **PS**. This corresponds to the maximum working pressure (MWP) of the device.



A0056003

17 Permitted range for process temperature and process pressure

### Process temperature range

-40 to +80 °C (-40 to +176 °F)

### Process pressure range, 40 mm (1.5 in) antenna

- $p_{\text{gauge}} = -1 \text{ to } 3 \text{ bar} (-14.5 \text{ to } 43.5 \text{ psi})$
- $p_{\text{abs}} < 4 \text{ bar} (58 \text{ psi})$

### Process pressure range, 80 mm (3 in) antenna with UNI slip-on flange 3", 4"

- $p_{\text{gauge}} = -1 \text{ to } 1 \text{ bar} (-14.5 \text{ to } 14.5 \text{ psi})$
- $p_{\text{abs}} < 2 \text{ bar} (29 \text{ psi})$

### Process pressure range, 80 mm (3 in) antenna with UNI slip-on flange 6"

For unpressurized applications

**i** The pressure range may be further restricted in the case of a CRN approval.

## Relative permittivity

### For liquids

- $\epsilon_r \geq 1.8$
- Contact Endress+Hauser for lower  $\epsilon_r$  values

### For bulk solids

$\epsilon_r \geq 1.6$

For applications with a lower relative permittivity than indicated, contact Endress+Hauser.

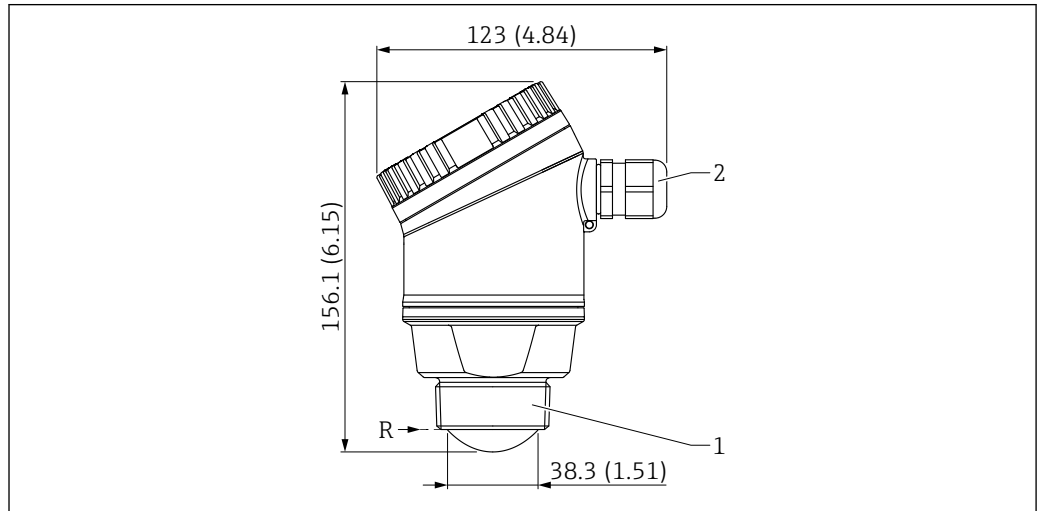
**i** For the relative permittivity values ( $\epsilon_r$  values) of many media commonly used in industry, please refer to:

- Relative permittivity ( $\epsilon_r$  value), Compendium CP01076F
- The Endress+Hauser "DC Values app" (available for Android and iOS)

## Mechanical construction

### Dimensions

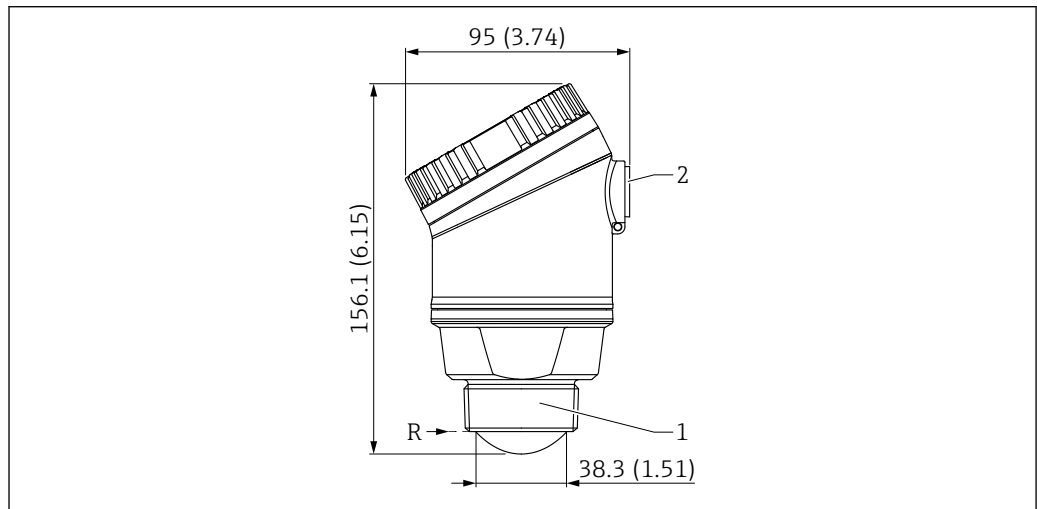
#### 40 mm (1.5 in) antenna



A0055843

▣ 18 Dimensions; 40 mm (1.5 in) antenna. Unit of measurement mm (in)

- R Reference point of the measurement
- 1 Antenna end process connection, thread
- 2 Cable entry M20



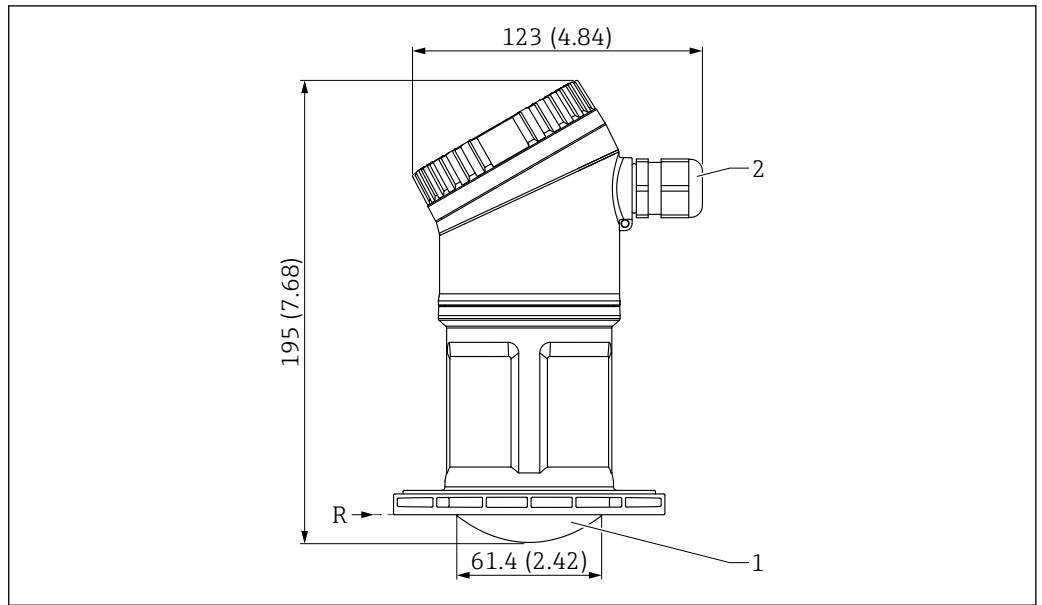
A0055844

▣ 19 Dimensions; 40 mm (1.5 in) antenna. Unit of measurement mm (in)

- R Reference point of the measurement
- 1 Antenna end process connection, thread
- 2 NPT 1/2"



80 mm (3 in) antenna



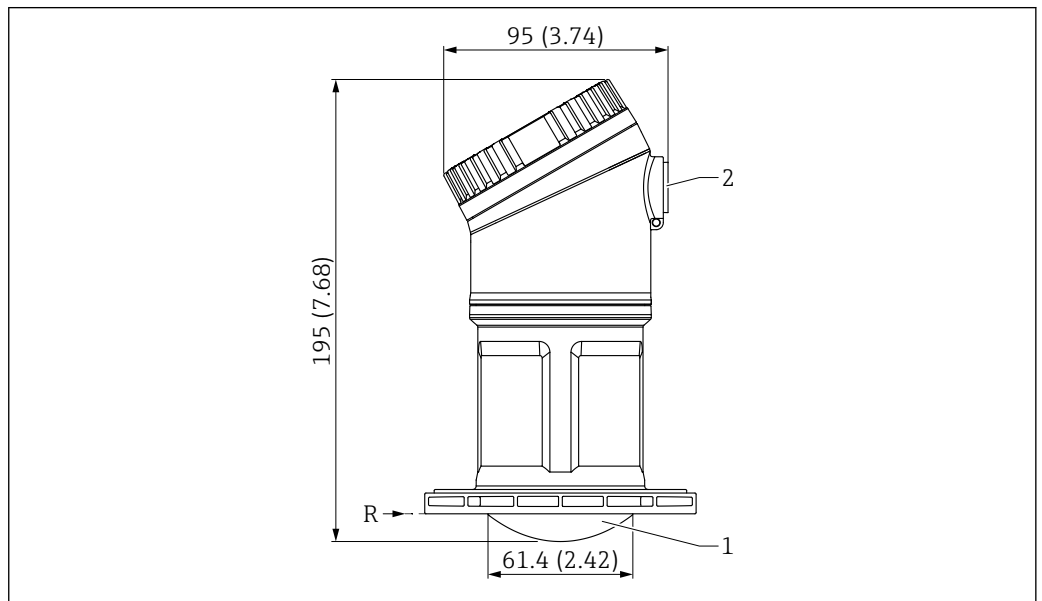
A0055B45

20 Dimensions; 80 mm (3 in) antenna . Unit of measurement mm (in)

R Reference point of the measurement

1 Antenna end process connection, without; prepared for UNI slip-on flange

2 Cable entry M20



A0055B46

21 Dimensions; 80 mm (3 in) antenna . Unit of measurement mm (in)

R Reference point of the measurement

1 Antenna end process connection, without; prepared for UNI slip-on flange

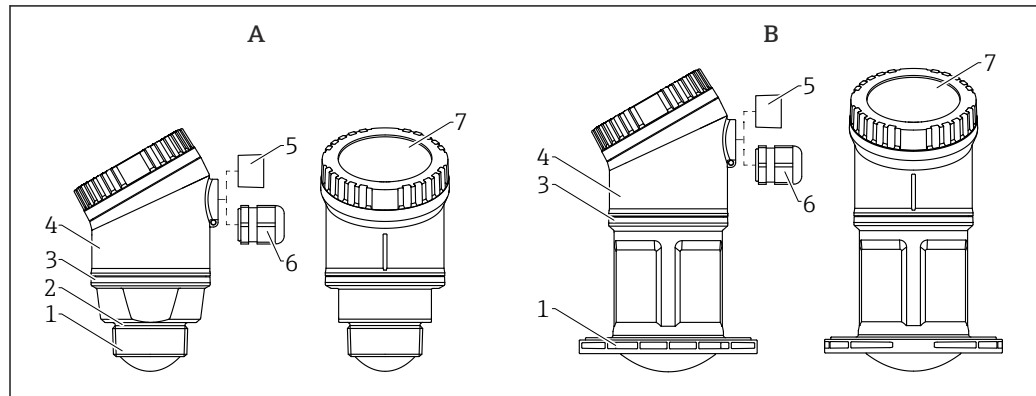
2 NPT 1/2"

Weight

Weight

- Device with 40 mm (1.5 in) antenna: approx. 0.4 kg (0.9 lb)
- Device with 80 mm (3 in) antenna: approx. 0.6 kg (1.3 lb)

## Materials



22 Device design

A 40 mm (1.5 in) antenna

B 80 mm (3 in) antenna

1 Antenna end process connection; PVDF

2 EPDM seal (for G 1½" thread)

3 PBT/PC design ring

4 Sensor housing; PBT/PC

5 Process connection, cable entry, NPT ½" thread

6 Process connection, cable entry, M20 gland; PA

7 Display top section; PBT/PC

A0055864

## Operability

### Operation concept

#### Operator-oriented menu structure for user-specific tasks

- Guidance
- Diagnostics
- Application
- System

#### Quick and safe commissioning

- Interactive wizard with graphical interface for guided commissioning in FieldCare/DeviceCare or SmartBlue app
- Menu guidance with brief descriptions of the individual parameter functions
- Standardized operation at the device and in the operating tools

#### Integrated data memory

Up to 100 event messages recorded in the device

#### Efficient diagnostics increase measurement reliability.

- Remedial measures are integrated in plain text.
- Wide range of simulation options such as current, error messages, and process variables

#### Bluetooth (optional)

- Quick and easy setup with the SmartBlue app or FieldXpert SMT70/SMT77
- No additional tools or adapters needed
- Encrypted single point-to-point data transmission (tested by Fraunhofer Institute) and password-protected communication via *Bluetooth*® wireless technology
- The device can be retrofitted with Bluetooth

### Languages



The following languages are available on the onsite display.


#### Operating languages

- English (English is set at the factory if no other language is ordered)
- Deutsch
- Français
- Español
- Italiano
- Nederlands
- Portuguesa
- Polski

- русский язык (Russian)
- Türkçe
- 中文 (Chinese)
- 日本語 (Japanese)
- 한국어 (Korean)
- tiếng Việt (Vietnamese)
- čeština (Czech)
- Svenska

**Onsite display**

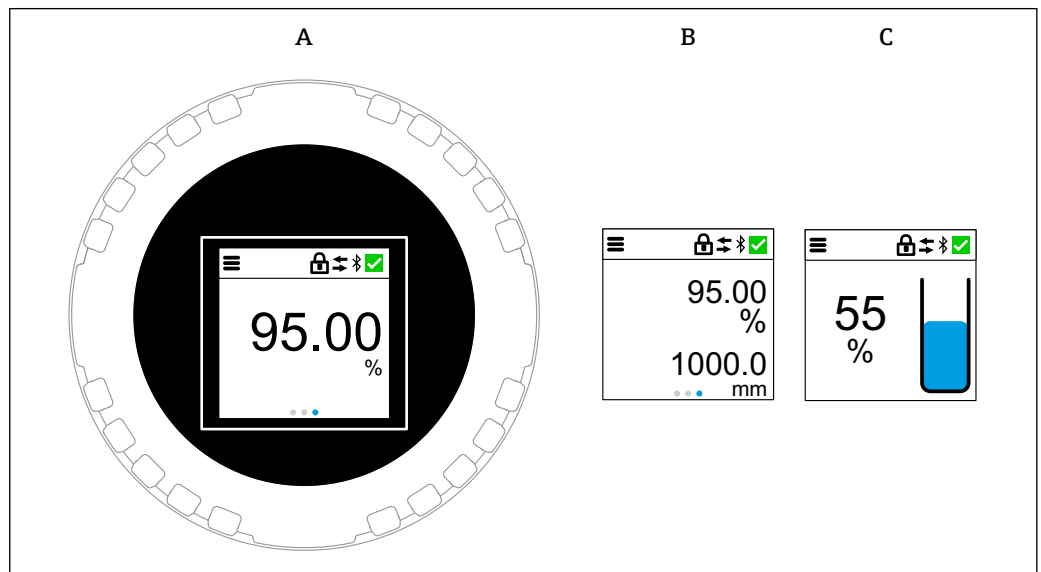
Functions:

- Display measured values and fault and notice messages
- Display a symbol in the event of an error
- Electronically adjustable onsite display (automatic and manual adjustment of display in 90° steps)
  -  The measured value display rotates automatically depending on the orientation when the device is started.
- Basic settings via the onsite display with touch control <sup>1)</sup>
  - Select the operating language
  - Start Heartbeat Verification with passed/failed feedback message on the onsite display
  - Locking On/Off
  - Bluetooth On/Off
  - Commissioning wizard for basic settings (flow cannot be configured via the onsite display)
  - Read the device information, such as the name, serial number and firmware version
  - Active diagnostics and status
  - Device reset
  - Invert colors for bright lighting conditions

The backlighting is automatically adjusted depending on the terminal voltage.

The default display can be permanently set via the operating menu.

 The following figure is an example. The display depends on the settings of the onsite display.



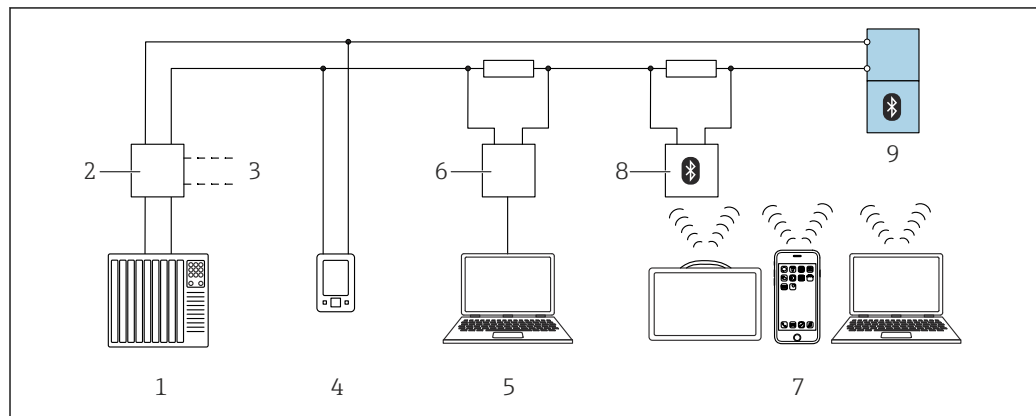
A0056184

- A Standard display: 1 measured value with unit (adjustable)
- B 2 measured values, each with unit (adjustable)
- C Graphic measured value display in %, level indicator in proportion to the measured value

1) In devices without touch control, settings can be made using operating tools (FieldCare, DeviceCare, SmartBlue).

## Remote operation

## Via HART protocol or Bluetooth



23 Options for remote operation via HART protocol

- 1 PLC (programmable logic controller)
- 2 Transmitter power supply unit, e.g. RN42 (with communication resistor)
- 3 Connection for Commubox FXA195 and AMS Trex™ device communicator
- 4 AMS Trex™ device communicator
- 5 Computer with operating tool (e.g. DeviceCare/FieldCare, AMS Device View, SIMATIC PDM)
- 6 Commubox FXA195 (USB)
- 7 Field Xpert SMT70/SMT77, smartphone or computer with operating tool (e.g. DeviceCare/FieldCare, AMS Device View, SIMATIC PDM)
- 8 Bluetooth modem with connecting cable (e.g. VIATOR)
- 9 Transmitter

### Operation via Bluetooth® wireless technology (optional)

#### Prerequisite

- Device with Bluetooth order option
- Smartphone or tablet with Endress+Hauser SmartBlue app or PC with DeviceCare from version 1.07.07 or FieldXpert SMT70/SMT77

The connection has a range of up to 25 m (82 ft). The range can vary depending on environmental conditions such as attachments, walls or ceilings.

**i** The operating keys on the display are locked as soon as the device is connected via Bluetooth.

### Supported operating tools

Smartphone or tablet with Endress+Hauser SmartBlue app, DeviceCare from version 1.07.07, FieldCare, AMS and PDM

## Certificates and approvals

Current certificates and approvals for the product are available at [www.endress.com](http://www.endress.com) on the relevant product page:

1. Select the product using the filters and search field.
2. Open the product page.
3. Select **Downloads**.

### Radio standard EN 302729

The devices are approved for unrestricted use inside and outside closed containers in countries of the EU and the EFTA. As a prerequisite, the countries must have already implemented this standard.

The standard is already implemented in the following countries:

Belgium, Bulgaria, Germany, Denmark, Estonia, France, Greece, UK, Ireland, Iceland, Italy, Liechtenstein, Lithuania, Latvia, Malta, The Netherlands, Norway, Austria, Poland, Portugal, Romania, Sweden, Switzerland, Slovakia, Spain, Czech Republic and Cyprus.

Implementation is still underway in all of the countries not listed.


Please note the following for operation of the devices outside of closed vessels:

- Installation must be carried out by properly trained, expert staff
- The device antenna must be installed in a fixed location pointing vertically downwards
- The mounting site must be located at a distance of 4 km (2.49 mi) from the astronomy stations listed below or otherwise approval must be provided by the relevant authority. If a device is installed within a radius of 4 to 40 km (2.49 to 24.86 mi) around one of the listed stations, it must not be installed at a height of more than 15 m (49 ft) above the ground

#### Astronomy stations

Country	Name of the station	Latitude	Longitude
Germany	Effelsberg	50° 31' 32" North	06° 53' 00" East
Finland	Metsähovi	60° 13' 04" North	24° 23' 37" East
	Tuorla	60° 24' 56" North	24° 26' 31" East
France	Plateau de Bure	44° 38' 01" North	05° 54' 26" East
	Floirac	44° 50' 10" North	00° 31' 37" West
Great Britain	Cambridge	52° 09' 59" North	00° 02' 20" East
	Damhall	53° 09' 22" North	02° 32' 03" West
	Jodrell Bank	53° 14' 10" North	02° 18' 26" West
	Knockin	52° 47' 24" North	02° 59' 45" West
	Pickmere	53° 17' 18" North	02° 26' 38" West
Italy	Medicina	44° 31' 14" North	11° 38' 49" East
	Noto	36° 52' 34" North	14° 59' 21" East
	Sardinia	39° 29' 50" North	09° 14' 40" East
Poland	Fort Skala Krakow	50° 03' 18" North	19° 49' 36" East
Russia	Dmitrov	56° 26' 00" North	37° 27' 00" East
	Kalyazin	57° 13' 22" North	37° 54' 01" East
	Pushchino	54° 49' 00" North	37° 40' 00" East
	Zelenchukskaya	43° 49' 53" North	41° 35' 32" East
Sweden	Onsala	57° 23' 45" North	11° 55' 35" East
Switzerland	Bleien	47° 20' 26" North	08° 06' 44" East

Country	Name of the station	Latitude	Longitude
Spain	Yebes	40° 31' 27" North	03° 05' 22" West
	Robledo	40° 25' 38" North	04° 14' 57" West
Hungary	Penc	47° 47' 22" North	19° 16' 53" East


 As a general rule, the requirements outlined in EN 302729 must be observed.

## FCC

This device complies with Part 15 of the FCC rules. Operation is subject to the following two conditions: (1) This device may not cause harmful interference, and (2) this device must accept any interference received, including interference that may cause undesired operation.

[Any] changes or modifications not expressly approved by the party responsible for compliance could void the user's authority to operate the equipment.

The devices are compliant with the FCC Code of Federal Regulations, CFR 47, Part 15, Sections 15.205, 15.207, 15.209.

 In addition, the devices are compliant with Section 15.256. For these LPR (Level Probe Radar) applications the devices must be professionally installed in a downward operating position. In addition, the devices are not allowed to be mounted in a zone of 4 km (2.49 mi) around RAS stations and within a radius of 40 km (24.86 mi) around RAS stations the maximum operation height of devices is 15 m (49 ft) above ground.

## Industry Canada

### Canada CNR-Gen Section 7.1.3

This device complies with Industry Canada licence-exempt RSS standard(s). Operation is subject to the following two conditions: (1) This device may not cause interference, and (2) this device must accept any interference received, including interference that may cause undesired operation of the device.

*Le présent appareil est conforme aux CNR d'Industrie Canada applicables aux appareils radio exempts de licence. L'exploitation est autorisée aux deux conditions suivantes : (1) l'appareil ne doit pas produire de brouillage, et (2) l'utilisateur de l'appareil doit accepter tout brouillage radioélectrique subi, même si le brouillage est susceptible d'en compromettre le fonctionnement.*

[Any] changes or modifications not expressly approved by the party responsible for compliance could void the user's authority to operate the equipment.

- The installation of the LPR/TLPR device shall be done by trained installers, in strict compliance with the manufacturer's instructions.
- The use of this device is on a "no-interference, no-protection" basis. That is, the user shall accept operations of high-powered radar in the same frequency band which may interfere with or damage this device. However, devices found to interfere with primary licensing operations will be required to be removed at the user's expense.
- This device shall be installed and operated in a completely enclosed container to prevent RF emissions, which can otherwise interfere with aeronautical navigation.
- The installer/user of this device shall ensure that it is at least 10 km from the Dominion Astrophysical Radio Observatory (DRAO) near Penticton, British Columbia. The coordinates of the DRAO are latitude 49°19'15" N and longitude 119°37'12" W. For devices not meeting this 10 km separation (e.g., those in the Okanagan Valley, British Columbia,) the installer/user must coordinate with, and obtain the written concurrence of, the Director of the DRAO before the equipment can be installed or operated. The Director of the DRAO may be contacted at 250-497-2300 (tel.) or 250-497-2355 (fax). (Alternatively, the Manager, Regulatory Standards Industry Canada, may be contacted.)

## Ordering information

Detailed ordering information is available from your nearest sales organization [www.addresses.endress.com](http://www.addresses.endress.com) or in the Product Configurator at [www.endress.com](http://www.endress.com):

1. Select the product using the filters and search field.
2. Open the product page.

**3. Select Configuration.**



**Product Configurator - the tool for individual product configuration**

- Up-to-the-minute configuration data
- Depending on the device: Direct input of measuring point-specific information such as measuring range or operating language
- Automatic verification of exclusion criteria
- Automatic creation of the order code and its breakdown in PDF or Excel output format
- Ability to order directly in the Endress+Hauser Online Shop

---

**Identification**

**Measuring point (TAG)**

The device can be ordered with a tag name.

**Location of tagging**

In the additional specification, select:

- Stainless steel tag plate
- TAG provided by the customer
- IEC 61406 stainless steel TAG
- IEC 61406 stainless steel, stainless steel TAG
- IEC 61406 stainless steel TAG, enclosed plate

**Definition of tag name**

In the additional specification, specify:

3 lines of maximum 18 characters each

The specified tag name appears on the selected plate.

**Visualization in SmartBlue app**

The first 32 characters of the tag name

The tag name can always be changed specifically for the measuring point via Bluetooth.

**Display in electronic nameplate (ENP)**

The first 32 characters of the tag name



For details, refer to document SD03128P

---

**Factory verification certificate**

A factory verification certificate can be selected using the Product Configurator.

**The verification points (three points) are defined at the following distances from the reference point:**

- 2 m
- 4 m
- 6 m



Verification is performed under reference operating conditions.

---

**Service**

The following services, among others, can be selected using the Product Configurator.

- Cleaned of oil+grease (wetted)
- PWIS-free (paint-wetting impairment substances)
- Set medium
- Set damping
- Set max. alarm current
- Bluetooth communication is disabled on delivery
- Customized empty/full calibration
- Product documentation on paper

A printed (hard copy) version of test reports, declarations and inspection certificates can optionally be ordered via the **Service, Version, Product documentation on paper** option. The required documents can be selected under the feature **Test, certificate, declaration** and are then included with the device on delivery.

**Application packages**

The application package can be ordered together with the device or can be activated subsequently with an activation code. Detailed information on the relevant order code is available from the website [www.endress.com](http://www.endress.com) or from the Endress +Hauser Sales Center.

**Heartbeat Technology**

Heartbeat Technology offers diagnostic functionality by means of continuous self-monitoring as well as in-situ verification of devices in the application.

**Heartbeat Diagnostics**


Continuous self-monitoring of the device.

Diagnostic messages output to:


- the onsite display
- an asset management system (e.g. FieldCare or DeviceCare)
- an automation system (e.g. PLC)

**Heartbeat Verification**

- Monitoring of the installed device without interrupting the process, including a verification report
- Clear measuring point assessment (pass/fail) with high total test coverage as part of the manufacturer's specification
- Can be used to document normative requirements
- Meets the requirements for measurement traceability in accordance with ISO 9001 (ISO 9001:2015 Section 7.1.5.2)

 The verification report can be generated via Bluetooth and HART.


**Detailed description**

 See Special Documentation for SD Heartbeat Technology.

**Accessories**


Accessories currently available for the product can be selected via the Product Configurator at [www.endress.com](http://www.endress.com):

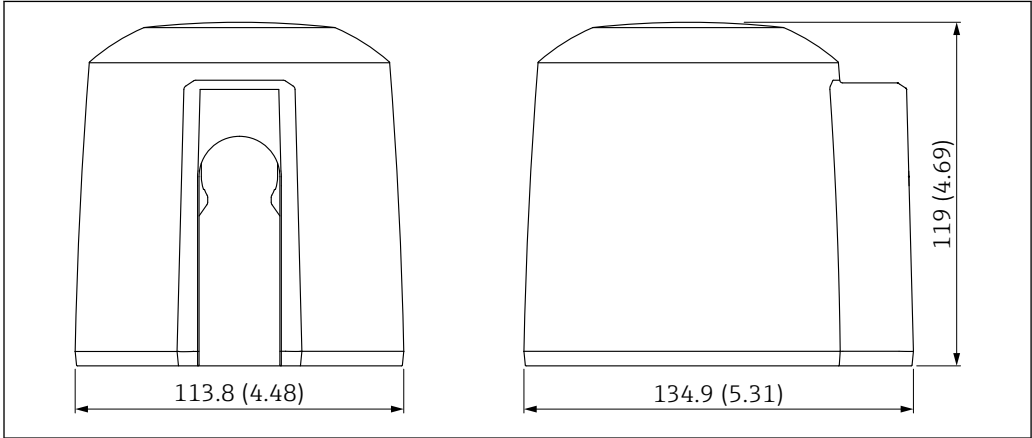
1. Select the product using the filters and search field.
2. Open the product page.
3. Select **Spare parts & Accessories**.


 The accessories can be partially ordered via the "Accessory enclosed" product structure.

**Weather protective cover**

The weather protective cover can be ordered together with the device via the product structure "Accessory enclosed".

 The sensor is not completely covered in the case of the 40 mm (1.5 in) antenna or the 80 mm (3 in) antenna.



 24 Dimensions for weather protective cover . Unit of measurement mm (in)

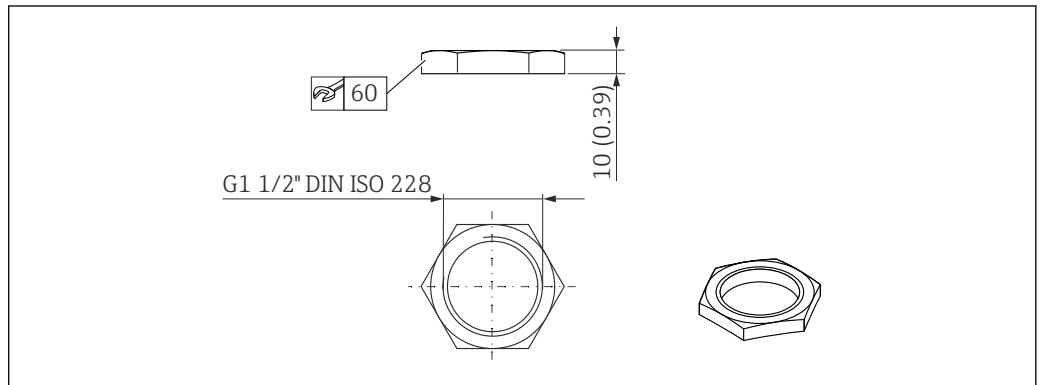
A0055298



**Material**  
PBT/PC  
**Order code**  
71662268

**Securing nut G 1½"**

Suitable for devices with G 1½" and MNPT 1½" process connection.



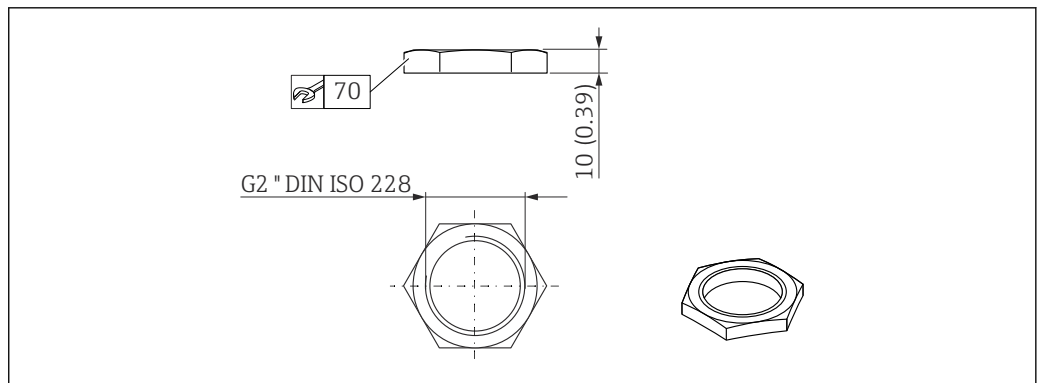
A0028949

25 Dimensions of securing nut. Unit of measurement mm (in)

**Material**  
PC  
**Order code**  
52014146

**Securing nut G 2"**

Suitable for devices with G 2" and MNPT 2" antenna end process connection.




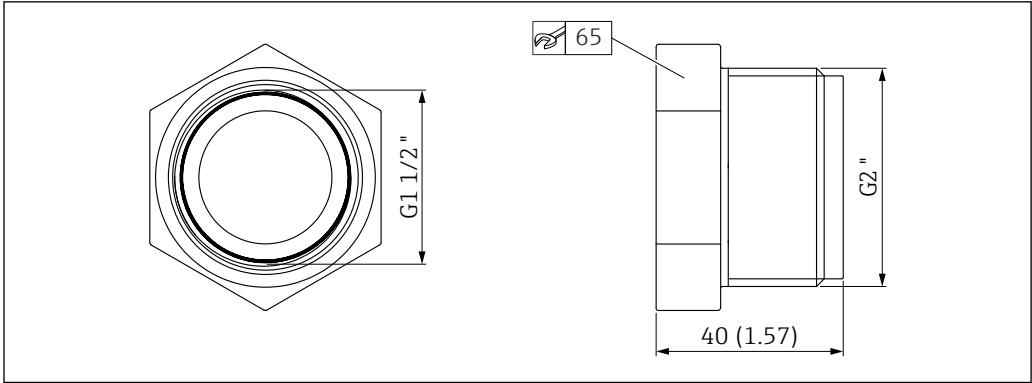
A0029101

26 Dimensions of securing nut. Unit of measurement mm (in)

**Material**  
PC  
**Order code**  
52000598

**Uni adapter G 1½">G 2"**

 Temperature range -40 to 45 °C (-40 to 113 °F)




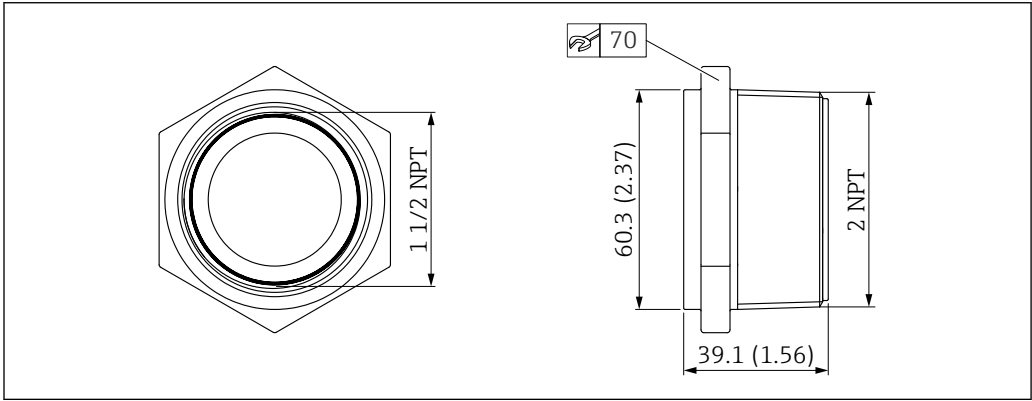
A0055848

27 Dimensions of Uni adapter

**Material**  
PVC  
**Order code**  
71662415

Uni adapter MNPT 1 1/2" > MNPT 2"

 Temperature range -40 to 65 °C (-40 to 150 °F)



A0055847

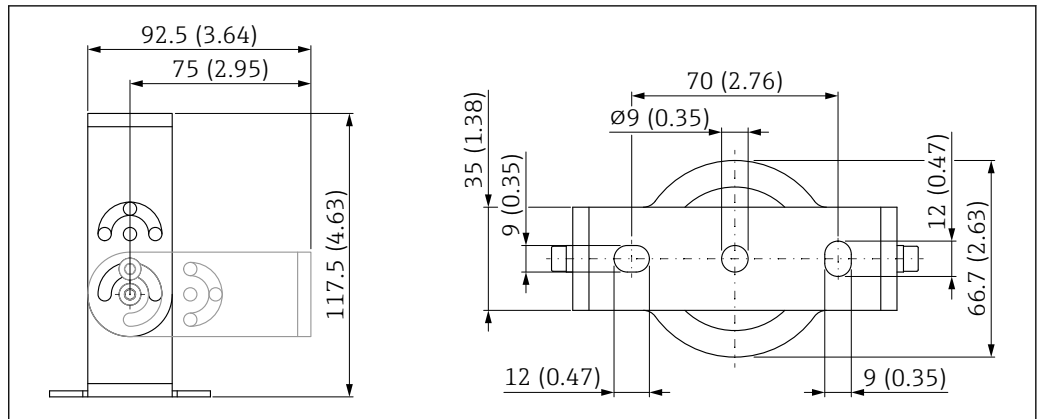
28 Dimensions of Uni adapter

**Material**  
PP  
**Order code**  
71666515

Mounting bracket, adjustable, wall, 75 mm

The mounting bracket can be ordered together with the device via the product structure "Accessory enclosed".

**Antenna end process connection G 1½"/NPT 1½"**



29 Dimensions of mounting bracket. Unit of measurement mm (in)

Consists of:

- 1 × mounting bracket, 316L (1.4404)
- 1 × angle bracket, 316L (1.4404)
- 3 × screws, A4
- 3 × securing disks, A4
- 1 × securing nut G 1½"

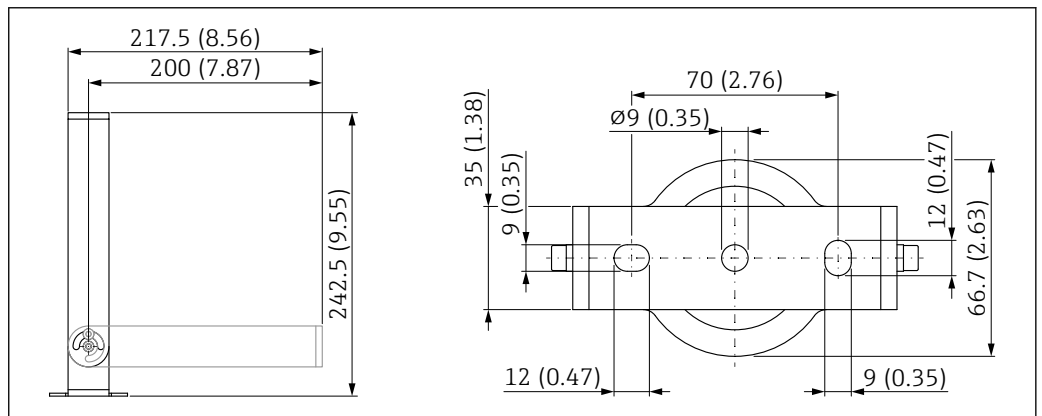
**Order number (G 1½"/NPT 1½")**

71662419

**Mounting bracket, adjustable, wall, 200 mm**

The mounting bracket can be ordered together with the device via the product structure "Accessory enclosed".

**Antenna end process connection G 1½"/NPT 1½"**



30 Dimensions of mounting bracket. Unit of measurement mm (in)

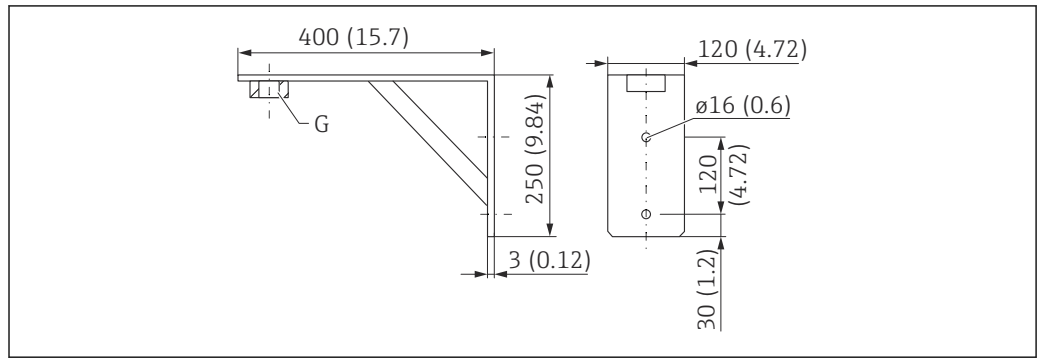
Consists of:

- 1 × mounting bracket, 316L (1.4404)
- 1 × angle bracket, 316L (1.4404)
- 3 × screws, A4
- 3 × securing disks, A4
- 1 × securing nut G 1½"

**Order number (G 1½"/NPT 1½")**

71662423

**Angle bracket for wall mounting**



A0019346

31 Dimensions of mounting bracket. Unit of measurement mm (in)

G Sensor connection in accordance with the product structure "Antenna end process connection"

**Weight**

3.4 kg (7.5 lb)

**Material**

316L (1.4404)

**Order number for G 1½" process connection**

71452324

Also suitable for MNPT 1½"

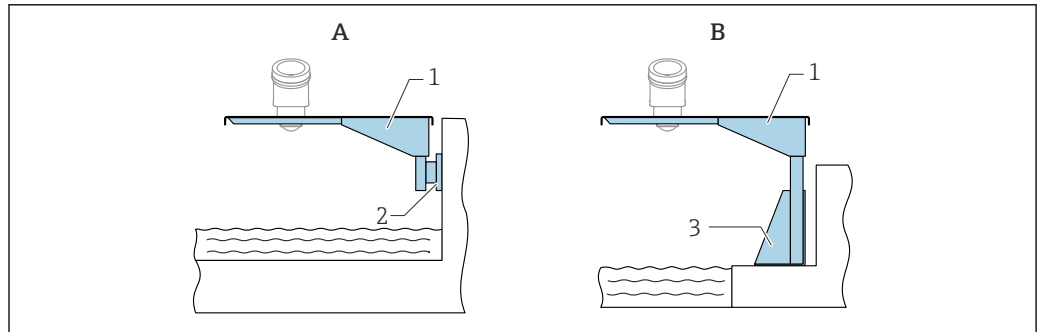
**Order number for G 2" process connection**

71452325

Also suitable for MNPT 2"

**Cantilever, pivotable**

**Installation type sensor antenna end process connection**



A0055868

32 Installation type sensor antenna end process connection

A Installation with cantilever and wall bracket

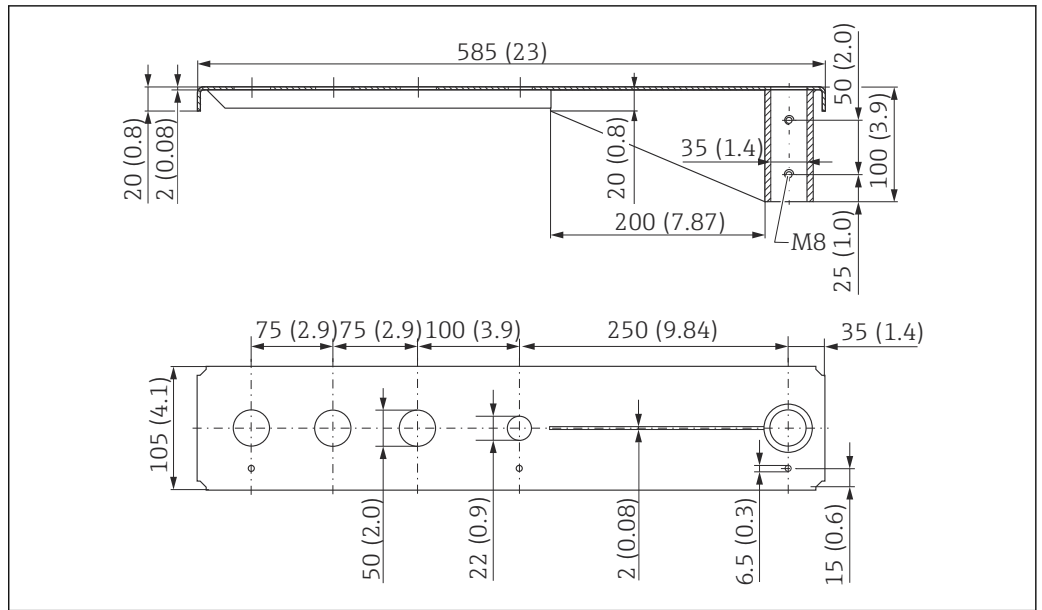
B Installation with cantilever and mounting frame

1 Cantilever

2 Wall bracket

3 Mounting frame

500 mm cantilever with pivot, sensor antenna end process connection G 1½"



33 Dimensions of 500 mm cantilever with pivot, for sensor antenna end process connection G 1½". Unit of measurement mm (in)

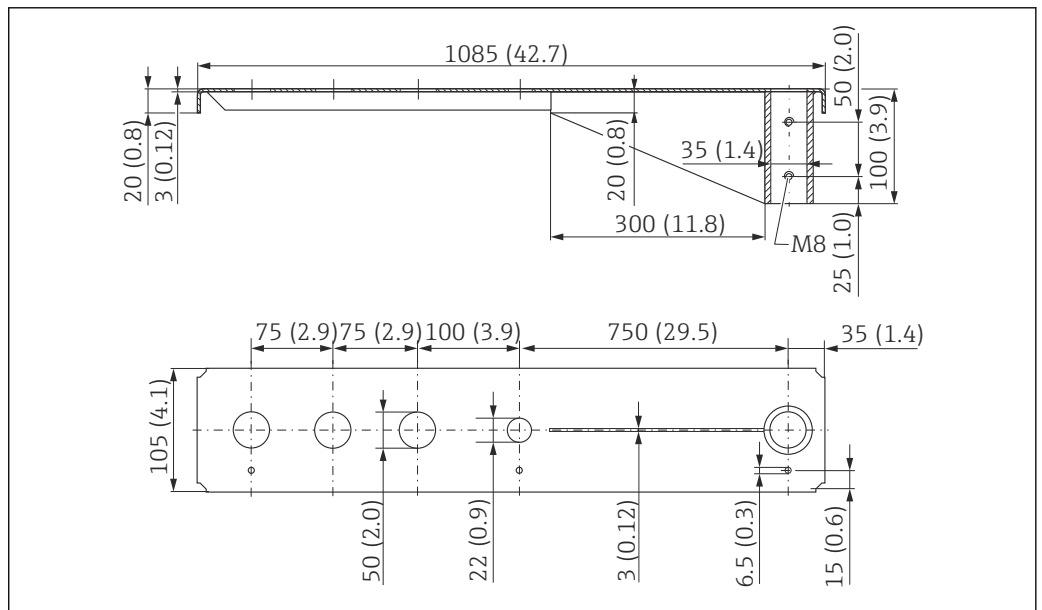
**Weight:**  
1.9 kg (4.19 lb)

**Material**  
316L (1.4404)

**Order number**  
71452318

- 50 mm (2.17 in) openings for all G 1½" or MNPT 1½" antenna end thread process connections
- 22 mm (0.87 in) opening can be used for any additional sensor
- Retaining screws are included in delivery

1000 mm cantilever with pivot, sensor antenna end process connection G 1½"



34 Dimensions of 1000 mm cantilever with pivot, for sensor antenna end process connection G 1½". Unit of measurement mm (in)

**Weight:**

4.4 kg (9.7 lb)

**Material**

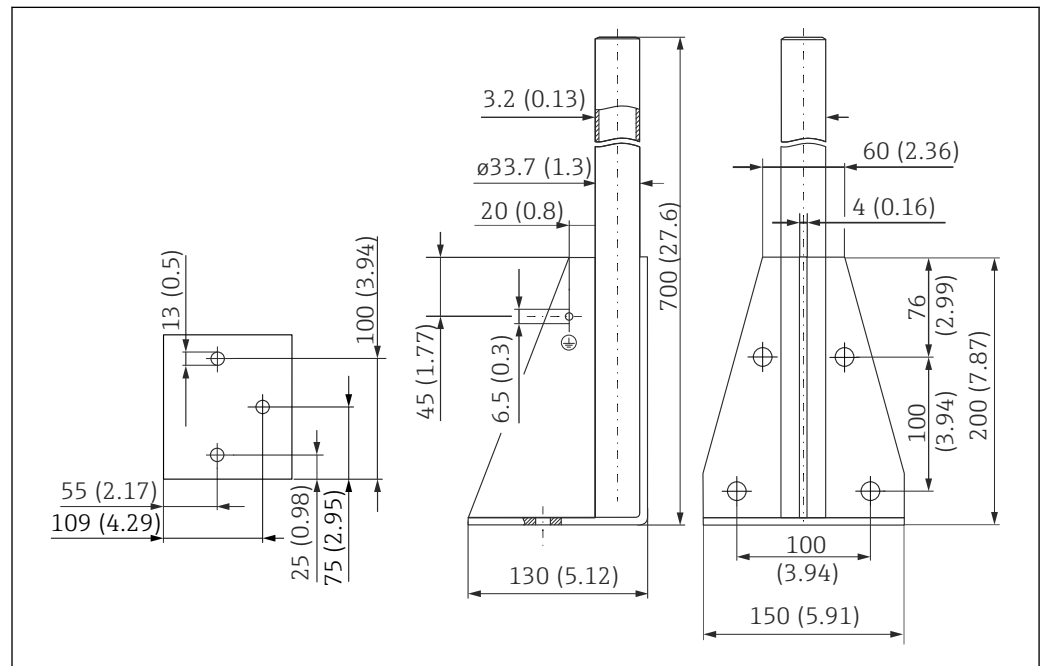
316L (1.4404)

**Order code**

71452319

- i** 50 mm (2.17 in) openings for all G 1½" or MNPT 1½" antenna end thread process connections
- 22 mm (0.87 in) opening can be used for any additional sensor
- Retaining screws are included in delivery

**Mounting stand, 700 mm (27.6 in) for cantilever with pivot**



35 Dimensions. Unit of measurement mm (in)

A0037799

**Weight:**

4.2 kg (9.26 lb)

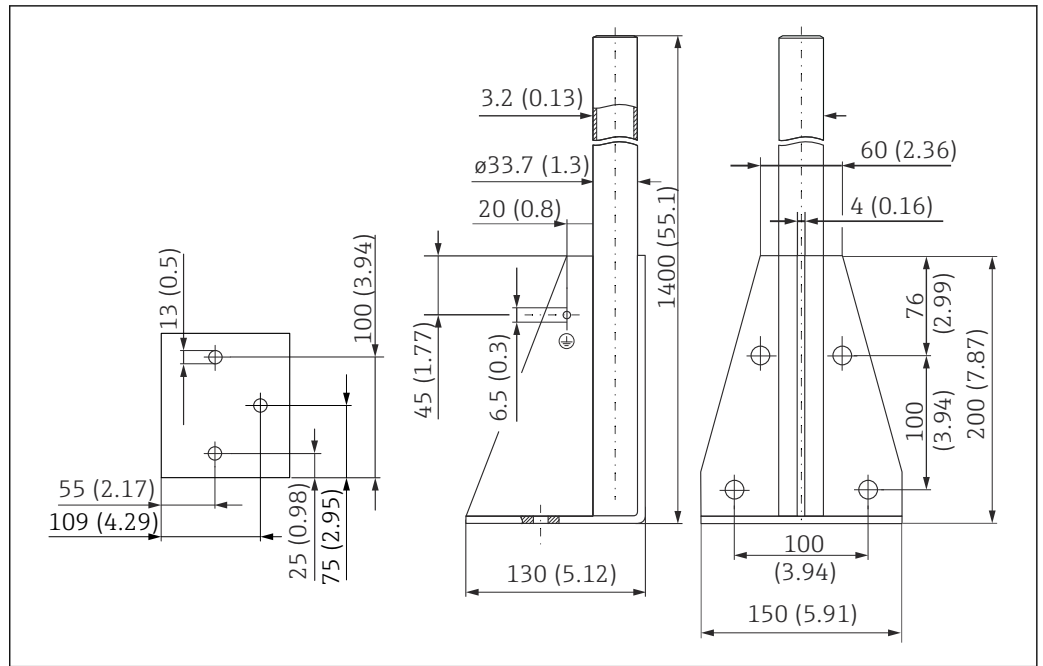
**Material**

316L (1.4404)

**Order number**

71452327

Mounting stand, 1400 mm (55.1 in) for cantilever with pivot



A0037800

36 Dimensions. Unit of measurement mm (in)

Weight:

6 kg (13.23 lb)

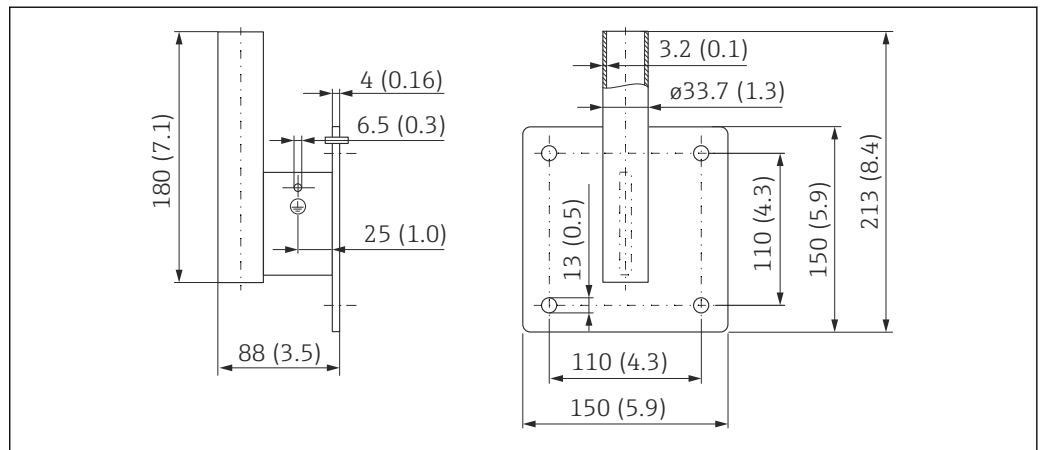
Material

316L (1.4404)

Order number

71452326

Wall bracket for cantilever with pivot



A0019350

37 Dimensions of the wall bracket. Unit of measurement mm (in)

Weight

1.2 kg (2.65 lb)

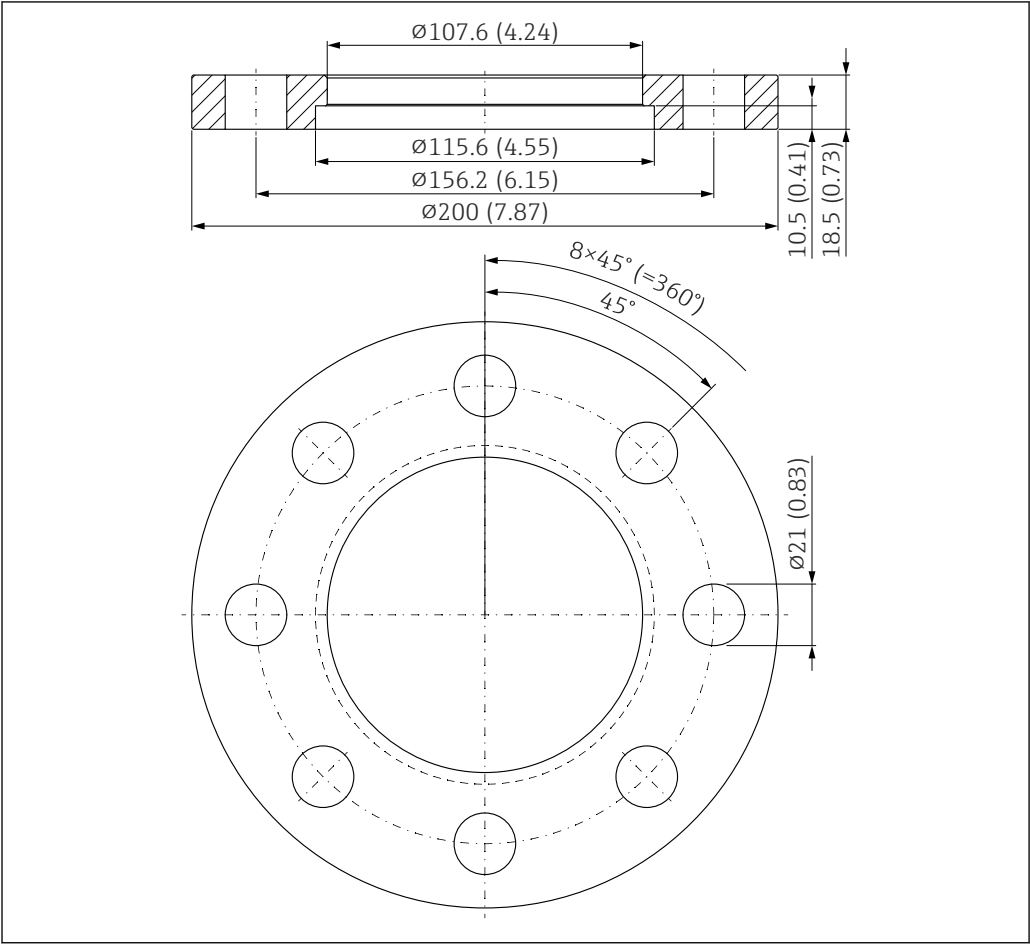
Material

316L (1.4404)

Order number

71452323

**UNI slip-on flange 3"/  
DN80/80, PP**



A0055501

38 Dimensions of UNI slip-on flange 3"/DN80/80. Unit of measurement mm (in)

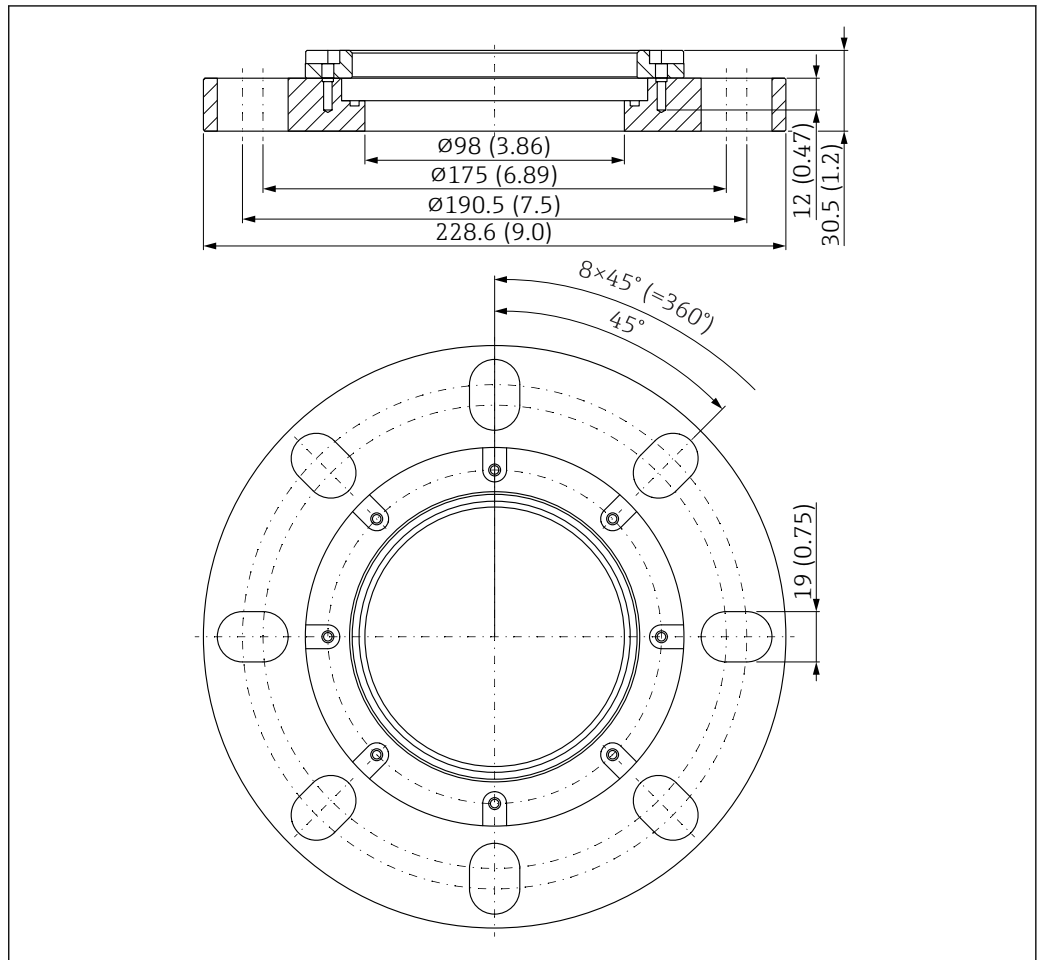
A Sensor connection in accordance with the product structure "Antenna end process connection; without; prepared for UNI slip-on flange > Accessories"

**Material**  
PP

**Order code**  
71162777



UNI slip-on flange 4"/  
DN100/100, PP



A0055502

39 Dimensions of UNI slip-on flange 4"/DN100/100. Unit of measurement mm (in)

A Sensor connection in accordance with the product structure "Antenna end process connection; without; prepared for UNI slip-on flange > Accessories"

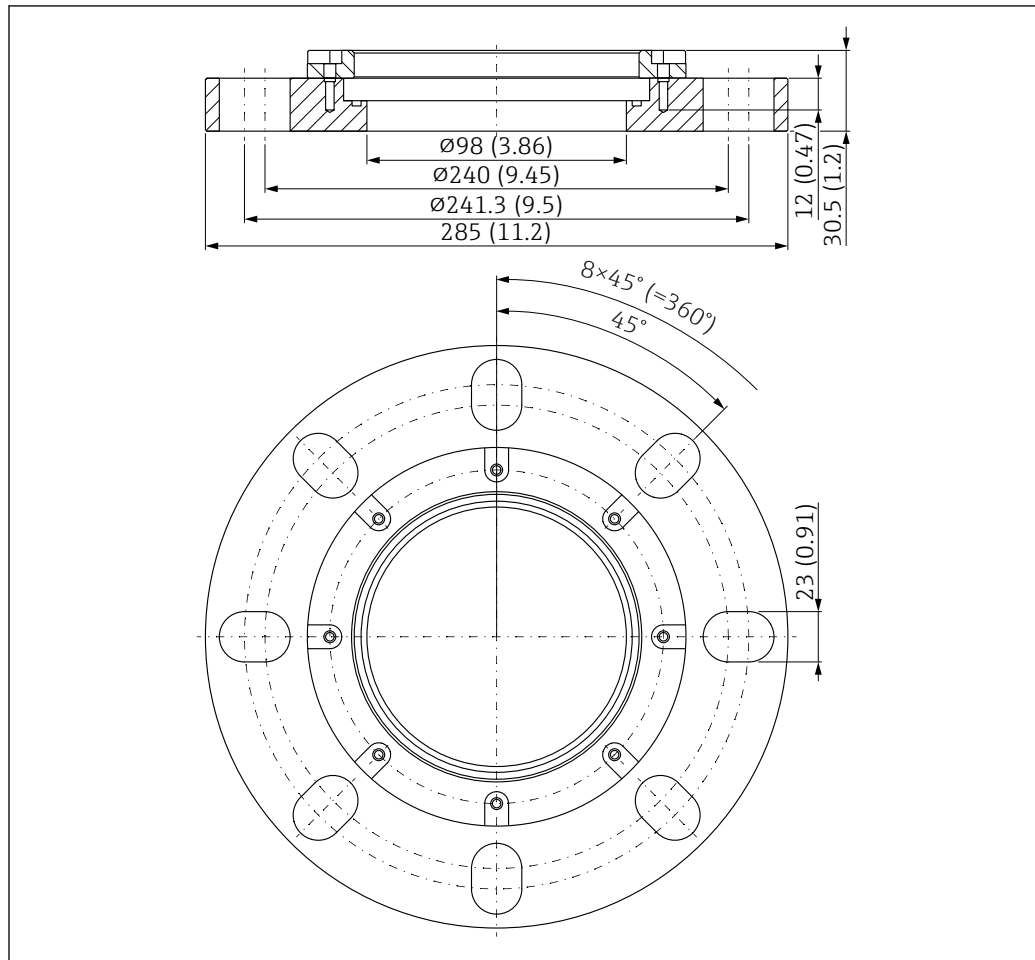
**Material**

PP

**Order code**

71162778

UNI slip-on flange 6"/  
DN150/150, PP



A0055503

40 Dimensions of UNI slip-on flange 6"/DN150/150. Unit of measurement mm (in)

A Sensor connection in accordance with the product structure "Antenna end process connection; without; prepared for UNI slip-on flange > Accessories"

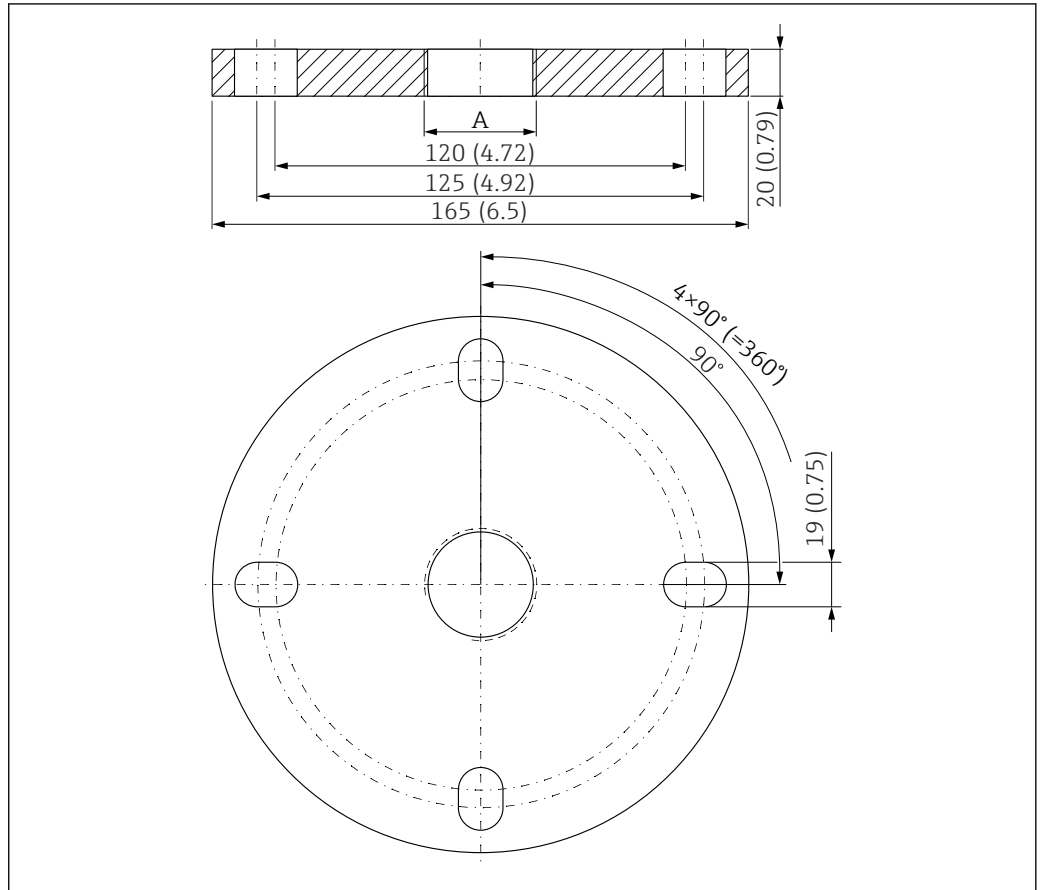
**Material**

PP

**Order code**

71162780

**UNI flange 2"/DN50/50, PP**



A0037946

41 Dimensions of UNI flange 2"/DN50/50. Unit of measurement mm (in)

A Sensor connection in accordance with the product structure "Antenna end process connection"

**Material**

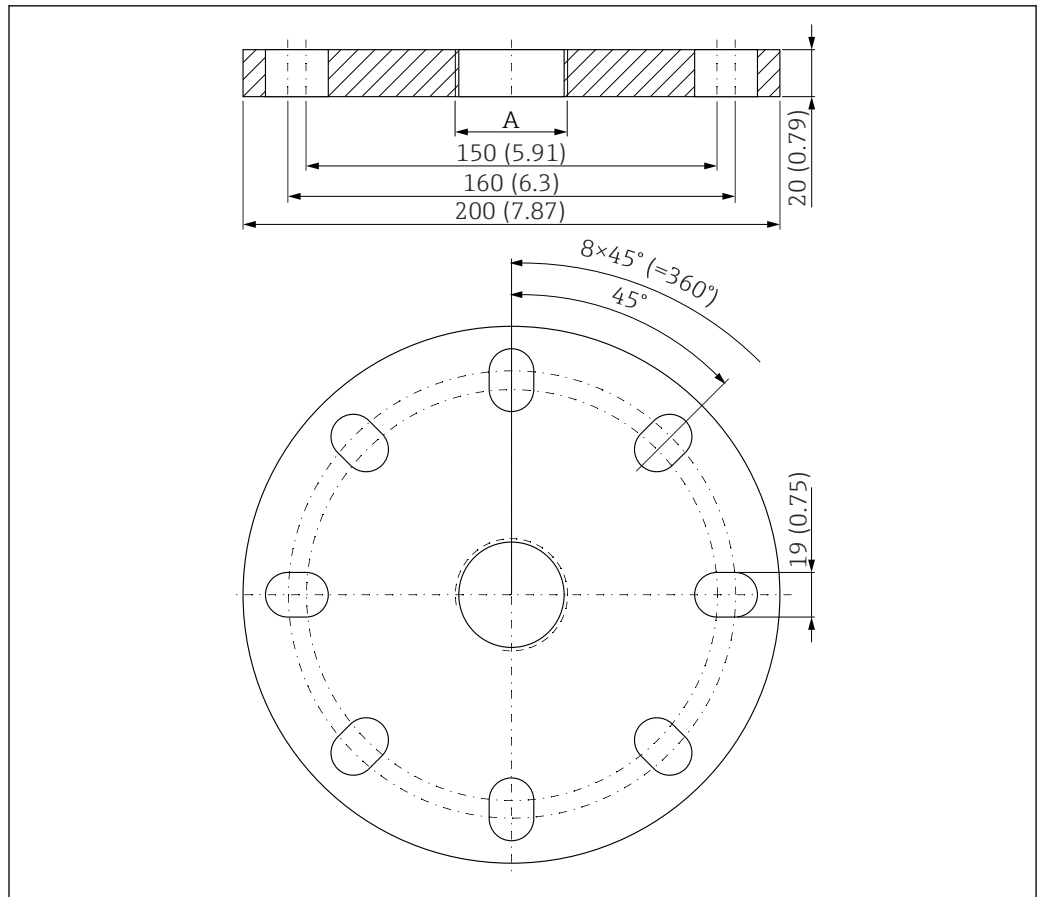
PP

**Order code**

FAX50-####

**UNI flange 3"/DN80/80, PP**

The UNI flange 3"/DN80/80 can be ordered together with the device via the product structure "Accessory enclosed".



A0037947

42 Dimensions of UNI flange 3"/DN80/80. Unit of measurement mm (in)

A Sensor connection in accordance with the product structure "Antenna end process connection"

**Material**

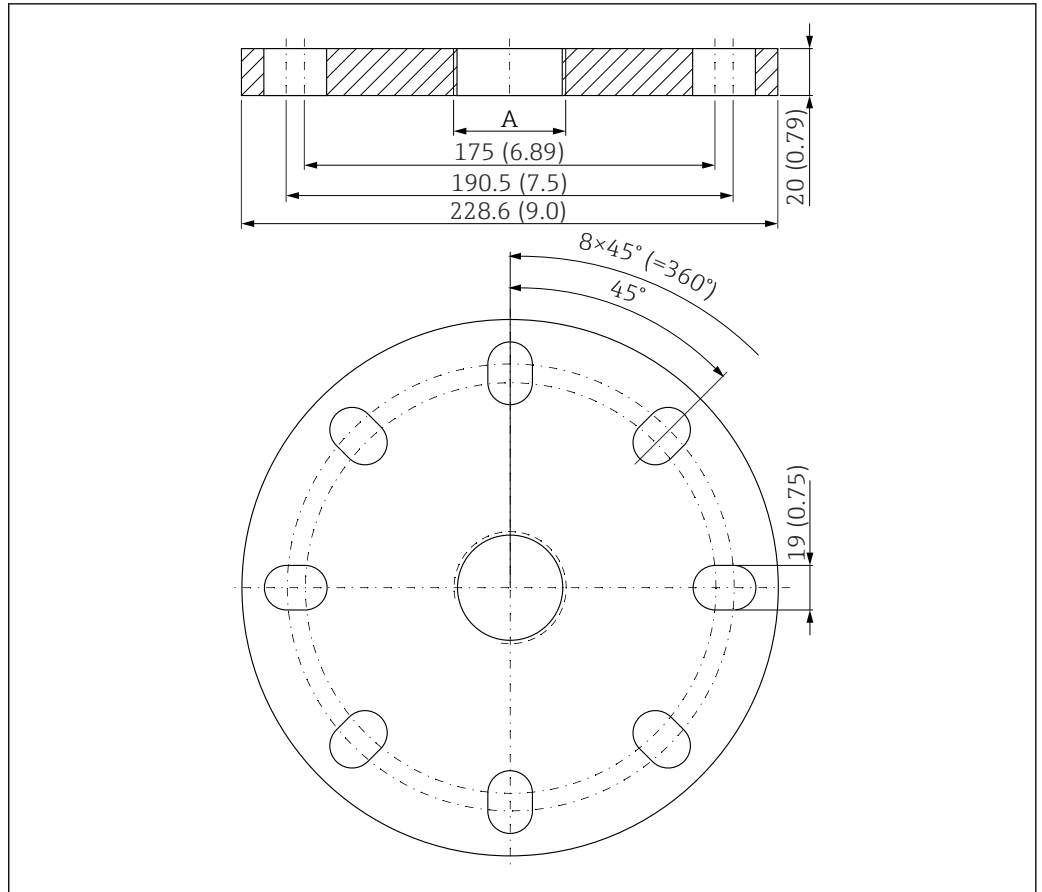
PP

**Order code**

FAX50-####

**UNI flange 4"/DN100/100,  
PP**

The UNI flange 4"/DN100/100 can be ordered together with the device via the product structure "Accessory enclosed".



A0037948

43 Dimensions of UNI flange 4"/DN100/100. Unit of measurement mm (in)

A Sensor connection in accordance with the product structure "Antenna end process connection"

**Material**

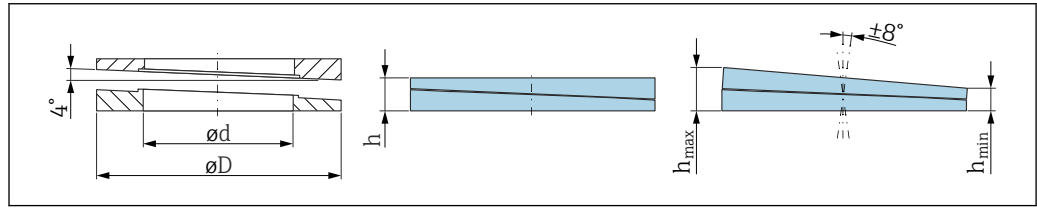
PP

**Order code**

FAX50-####

**Adjustable flange seal**

The adjustable flange seal is used to align the sensor.

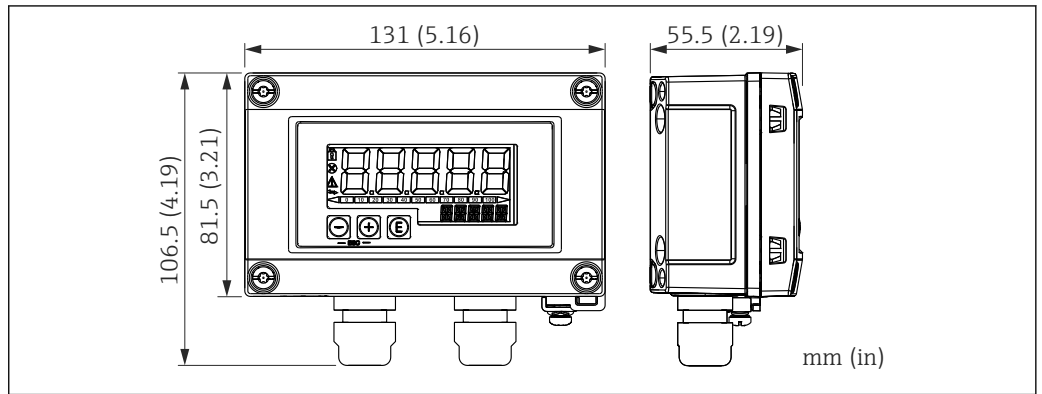


A0045324

44 Dimensions

Technical data: version DN/JIS			
Order code	71074263	71074264	71074265
Compatible with	DN80 PN10/40	DN100 PN10/16	<ul style="list-style-type: none"> <li>■ DN150 PN10/16</li> <li>■ JIS 10K 150A</li> </ul>
Recommended screw length	100 mm (3.9 in)	100 mm (3.9 in)	110 mm (4.3 in)
Recommended screw size	M14	M14	M18
Material	EPDM		
Process pressure	-0.1 to 0.1 bar (-1.45 to 1.45 psi)		
Process temperature	-40 to +80 °C (-40 to +176 °F)		
D	142 mm (5.59 in)	162 mm (6.38 in)	218 mm (8.58 in)
d	89 mm (3.5 in)	115 mm (4.53 in)	169 mm (6.65 in)
h	22 mm (0.87 in)	23.5 mm (0.93 in)	26.5 mm (1.04 in)
h <sub>min</sub>	14 mm (0.55 in)	14 mm (0.55 in)	14 mm (0.55 in)
h <sub>max</sub>	30 mm (1.18 in)	33 mm (1.3 in)	39 mm (1.45 in)
Technical data: Version ASME/JIS			
Order code	71249070	71249072	71249073
Compatible with	<ul style="list-style-type: none"> <li>■ ASME 3" 150 lbs</li> <li>■ JIS 80A 10K</li> </ul>	ASME 4" 150 lbs	ASME 6" 150 lbs
Recommended screw length	100 mm (3.9 in)	100 mm (3.9 in)	110 mm (4.3 in)
Recommended screw size	M14	M14	M18
Material	EPDM		
Process pressure	-0.1 to 0.1 bar (-1.45 to 1.45 psi)		
Process temperature	-40 to +80 °C (-40 to +176 °F)		
D	133 mm (5.2 in)	171 mm (6.7 in)	219 mm (8.6 in)
d	89 mm (3.5 in)	115 mm (4.53 in)	168 mm (6.6 in)
h	22 mm (0.87 in)	23.5 mm (0.93 in)	26.5 mm (1.04 in)
h <sub>min</sub>	14 mm (0.55 in)	14 mm (0.55 in)	14 mm (0.55 in)
h <sub>max</sub>	30 mm (1.18 in)	33 mm (1.3 in)	39 mm (1.45 in)

**RIA15 in the field housing**



45 Dimensions of RIA15 in the field housing. Unit of measurement mm (in)

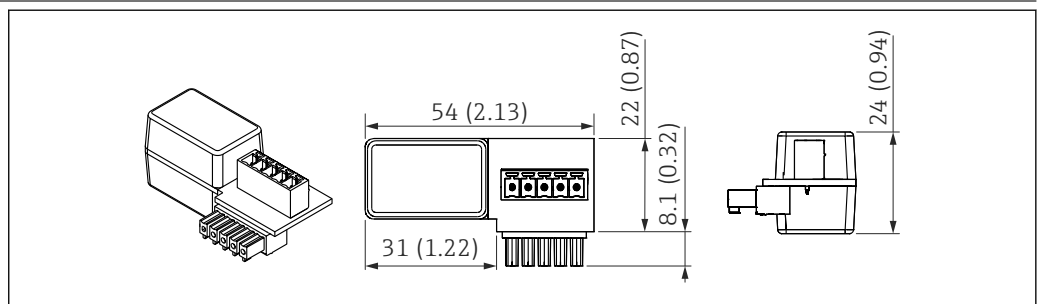
**i** The remote display RIA15 can be ordered with or without operation via the product structure "Accessory enclosed".

Field housing material: Plastic (PBT with steel fibers, antistatic)

Other housing versions are available via the RIA15 product structure.

**b** Alternatively available as an accessory, for details see Technical Information TI01043K and Operating Instructions BA01170K

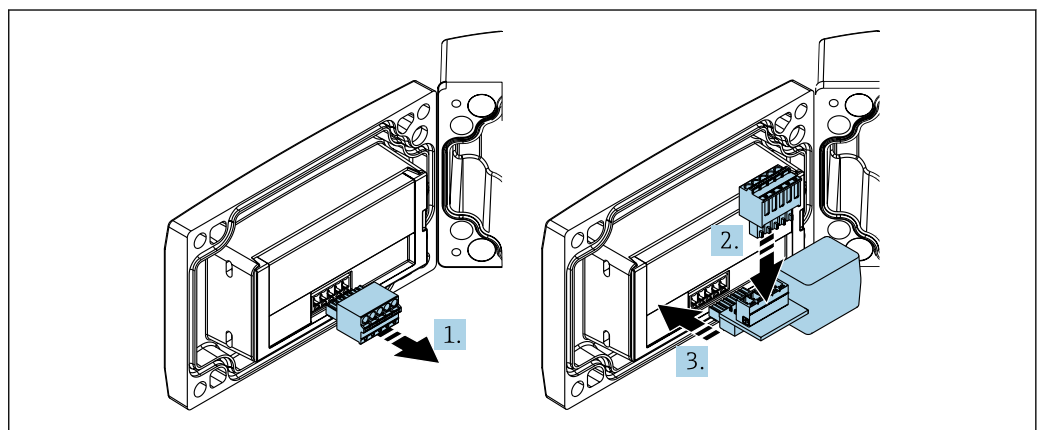
**HART communication resistor**



46 Dimensions of HART communication resistor. Unit of measurement mm (in)

The HART communication resistor is required for operation of the RIA15 and is supplied with "remote display RIA15, with operation via HART" when ordering.

**b** Document Technical Information TI01043K and Operating Instructions BA01170K



**i** In order to operate the RIA15, the HART communication resistor must be integrated.

1. Disconnect the plug-in terminal block.
2. Insert the terminal block into the slot provided on the HART communication resistor module.
3. Insert the HART communication resistor in the slot in the housing.

**DeviceCare SFE100**

Configuration tool for IO-Link, HART, PROFIBUS and FOUNDATION Fieldbusfield devices  
DeviceCare is available for download free of charge at [www.software-products.endress.com](http://www.software-products.endress.com). You need to register in the Endress+Hauser software portal to download the application.



Technical Information TI01134S

**FieldCare SFE500**

FDT-based plant asset management tool  
It can configure all intelligent field units in your system and helps you manage them. By using the status information, it is also a simple but effective way of checking their status and condition.



Technical Information TI00028S

**Device Viewer**

All the spare parts for the device, along with the order code, are listed in the *Device Viewer* ([www.endress.com/deviceviewer](http://www.endress.com/deviceviewer)).

**Commubox FXA195 HART**

For intrinsically safe HART communication with FieldCare via the USB interface



For details, see "Technical Information" TI00404F

**RN22**

Single or two-channel active barrier for safe electrical isolation of 4 to 20 mA standard signal circuits, HART transparent



Technical Information TI01515K and Operating Instructions BA02004K

**RN42**

Single-channel active barrier with wide-range power supply for safe electrical isolation of 4 to 20 mA standard signal circuits, HART transparent.



Technical Information TI01584K and Operating Instructions BA02090K

**Field Xpert SMT70**

Universal, high-performance tablet PC for device configuration in Ex Zone 2 and non-Ex areas



For details, see "Technical Information" TI01342S

**Field Xpert SMT77**

Universal, high-performance tablet PC for device configuration in Ex Zone 1 areas



For details, see "Technical Information" TI01418S

**SmartBlue app**

Mobile app for easy configuration of devices on site via Bluetooth wireless technology

**RMA42**

Digital process transmitter for monitoring and displaying analog measured values



For details, see Technical Information TI00150R and Operating Instructions BA00287R

## Documentation



For an overview of the scope of the associated Technical Documentation, refer to the following:

- *Device Viewer* ([www.endress.com/deviceviewer](http://www.endress.com/deviceviewer)): Enter the serial number from the nameplate
- *Endress+Hauser Operations app*: Enter serial number from nameplate or scan matrix code on nameplate.



---

**Standard documentation**

**Document type: Operating Instructions (BA)**

Installation and initial commissioning – contains all the functions in the operating menu that are needed for a routine measuring task. Functions beyond this scope are not included.

**Document type: Description of Device Parameters (GP)**

The document is part of the Operating Instructions and serves as a reference for parameters, providing a detailed explanation of each individual parameter of the operating menu.

**Document type: Brief Operating Instructions (KA)**

Quick guide to the first measured value – includes all essential information from incoming acceptance to electrical connection.

**Document type: Safety Instructions, certificates**

Depending on the approval, safety instructions are supplied with the device, e.g. XA. This documentation is an integral part of the Operating Instructions.

Information on the Safety Instructions (XA) that are relevant for the device is provided on the nameplate.

---

**Supplementary device-dependent documentation**

Additional documents are supplied depending on the device version ordered: Always comply strictly with the instructions in the supplementary documentation. The supplementary documentation is an integral part of the device documentation.

## Registered trademarks

**Apple®**

Apple, the Apple logo, iPhone, and iPod touch are trademarks of Apple Inc., registered in the U.S. and other countries. App Store is a service mark of Apple Inc.

**Android®**

Android, Google Play and the Google Play logo are trademarks of Google Inc.

**Bluetooth®**

The *Bluetooth*® word mark and logos are registered trademarks owned by the Bluetooth SIG, Inc. and any use of such marks by Endress+Hauser is under license. Other trademarks and trade names are those of their respective owners.

**HART®**

Registered trademark of the FieldComm Group, Austin, Texas USA

---

---



[www.addresses.endress.com](http://www.addresses.endress.com)

---