

Technical Information

iTHERM ModuLine TM412

Trend-setting, modular resistance thermometer with spring loaded insert for hygienic and aseptic applications



Applications

- Specially designed for use in hygienic and aseptic applications in the Food & Beverages and Life Sciences industries
- Measuring range: -200 to +600 °C (-328 to +1 112 °F)
- Pressure range up to 40 bar (580 psi)
- Protection class: up to IP69K

Temperature transmitter

All Endress+Hauser transmitters are available with enhanced accuracy and reliability compared to directly wired sensors. Easy customizing by choosing one of the following outputs and communication protocols:

- Analog output 4 to 20 mA, HART®
- PROFIBUS® PA, FOUNDATION Fieldbus™
- Bluetooth® connectivity (optional)
- Hygienic field transmitters with HART® protocol with backlit display, large measured value, bargraph and fault condition indication for ease of reading
- IO-Link® and PROFINET® with Ethernet-APL

Your benefits

- User-friendly and reliable from product selection to maintenance
- iTHERM inserts: globally unique, automated production. Full traceability and consistently high product quality for reliable measured values
- iTHERM QuickSens: fastest response times (t_{90s} : 1.5 s) for optimum process control
- iTHERM StrongSens: all-time vibration resistance (> 60g) for ultimate plant safety
- iTHERM QuickNeck – cost and time savings thanks to simple, tool-free recalibration
- iTHERM TA30R: 316L terminal head for easy handling and low installation and maintenance costs, with highest IP69K rating
- International certification: explosion protection e.g. ATEX/IECEX/FM/CSA and in compliance with hygiene standards according to 3-A®, EHEDG, ASME BPE, FDA, TSE Certificate of Suitability

Table of contents

Function and system design	3	Certificates and approvals	42
iTHERM ModuLine, hygienic	3	Hygiene standard	43
Measuring principle	3	Materials in contact with food/product (FCM)	43
Measuring system	4	Material resistance	43
Modular design	5	CRN approval	43
Input	6	Surface purity	43
Measured variable	6	Thermowell testing and load capacity calculation	43
Measuring range	6	Ordering information	43
Output	6	Accessories	45
Output signal	6	Device-specific accessories	45
Family of temperature transmitters	6	Communication-specific accessories	45
Power supply	7	Service-specific accessories	46
Wiring diagrams for RTD	7	System components	46
Cable entries	9	Documentation	47
Overvoltage protection	15		
Performance characteristics	15		
Reference conditions	15		
Maximum measured error	16		
Influence of ambient temperature	16		
Self heating	17		
Response time	17		
Calibration	18		
Insulation resistance	20		
Installation	20		
Orientation	20		
Installation instructions	20		
Environment	24		
Ambient temperature range	24		
Storage temperature	24		
Humidity	24		
Climate class	24		
Degree of protection	24		
Shock and vibration resistance	24		
Electromagnetic compatibility (EMC)	24		
Process	24		
Process temperature range	24		
Thermal shock	24		
Process pressure range	24		
Medium - state of aggregation	25		
Mechanical construction	26		
Design, dimensions	26		
Weight	32		
Material	32		
Surface roughness	33		
Terminal heads	33		
Extension neck	37		
Process connections	38		
Tip shape	42		

Function and system design

iTHERM ModuLine, hygienic

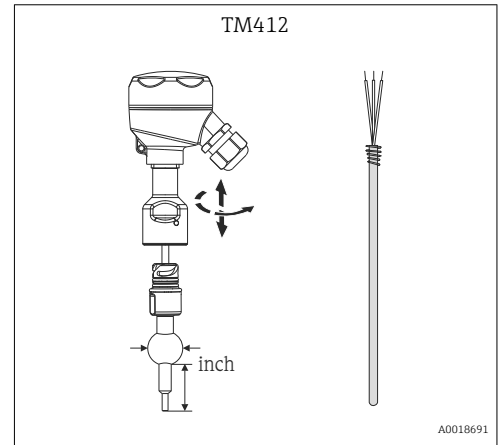
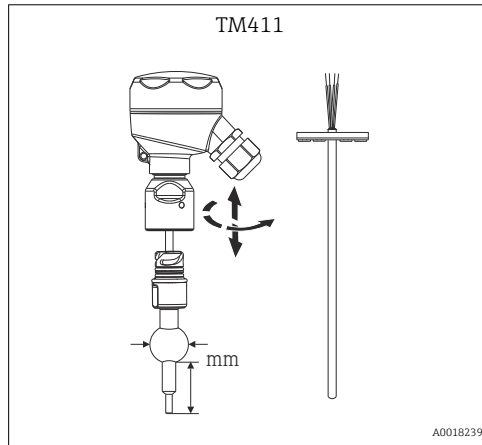
This thermometer is part of the product line of modular thermometers for hygienic and aseptic applications.

Differentiating factors when selecting a suitable thermometer

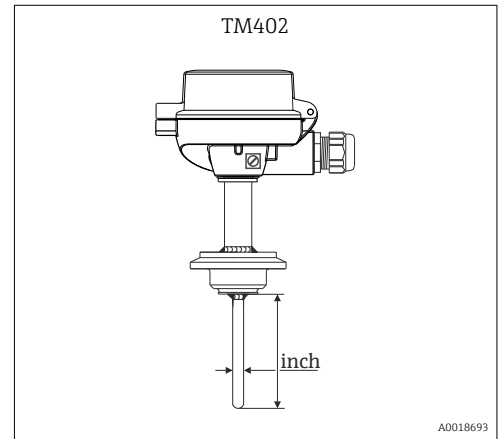
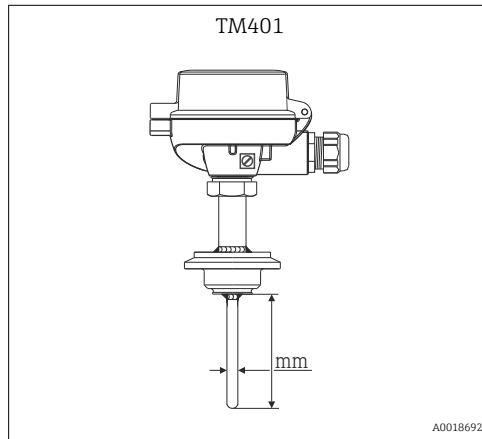
TM4x1	TM4x2
Metric version	Imperial version



TM41x characterizes the device that uses cutting-edge technology, with features such as a replaceable insert, quick-fastening extension neck (iTHERM QuickNeck), vibration-resistant and fast-response sensor technology (iTHERM StrongSens and QuickSens) and approval for use in hazardous areas



TM40x characterizes the device that uses basic technology, with features such as a fixed, non-replaceable insert, application in non-hazardous areas, standard extension neck, low-cost unit



Measuring principle

RTD assembly

These RTD assemblies use a Pt100 temperature sensor according to IEC 60751. The temperature sensor is a temperature-sensitive platinum resistor with a resistance of 100 Ω at 0 °C (32 °F) and a temperature coefficient $\alpha = 0.003851 \text{ } ^\circ\text{C}^{-1}$.

There are generally two different kinds of platinum RTD assemblies:


- **Wire wound (WW):** Here, a double coil of fine, high-purity platinum wire is located in a ceramic support. This is then sealed top and bottom with a ceramic protective layer. Such RTD assemblies not only facilitate very reproducible measurements but also offer good long-term stability of the resistance/temperature characteristic within temperature ranges up to 600 °C (1 112 °F). This type of sensor is relatively large in size and it is comparatively sensitive to vibrations.
- **Thin-film platinum resistance thermometers (TF):** A very thin, ultrapure platinum layer, approx. 1 µm thick, is vaporized in a vacuum on a ceramic substrate and then structured photolithographically. The platinum conductor paths formed in this way create the measuring resistance. Additional covering and passivation layers are applied and reliably protect the thin platinum layer from contamination and oxidation, even at high temperatures.

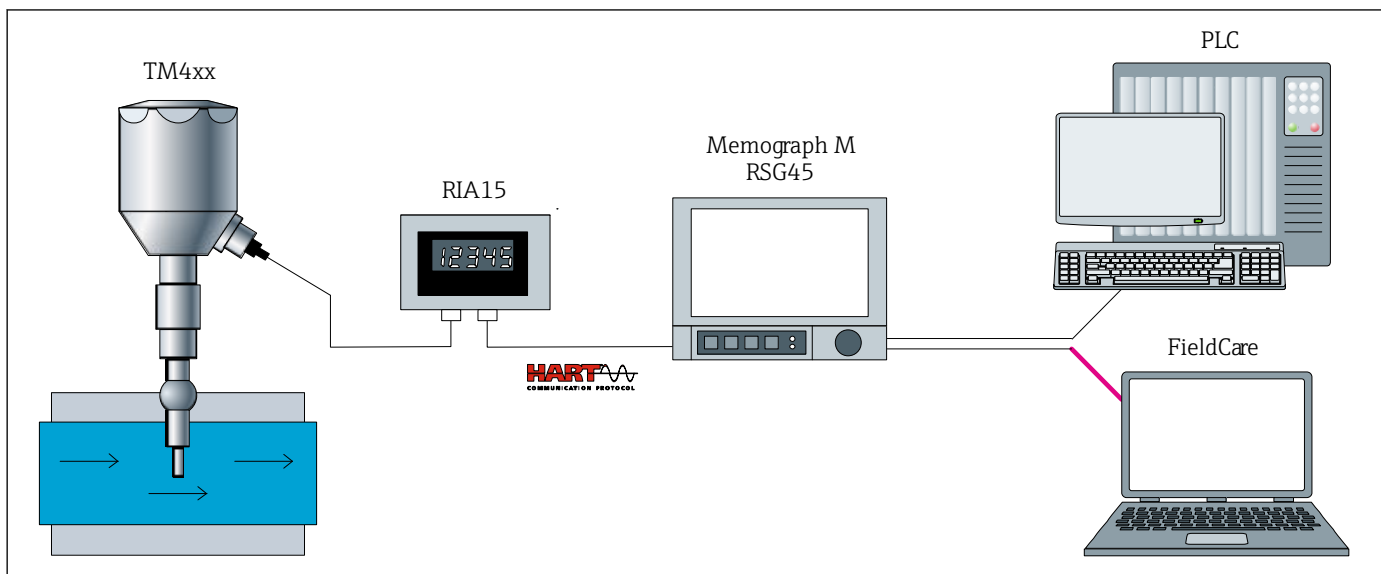
The primary advantages of thin film temperature sensors over wire wound versions are their smaller sizes and better vibration resistance. A relatively low principle-based deviation of the resistance/temperature characteristic from the standard characteristic of IEC 60751 can frequently be observed among TF sensors at high temperatures. As a result, the tight limit values of tolerance class A as per IEC 60751 can only be observed with TF sensors at temperatures up to approx. 300 °C (572 °F).

Measuring system


Endress+Hauser offers a complete portfolio of optimized components for the temperature measuring point – everything you need for the seamless integration of the measuring point into the overall facility. This includes:

- Power supply unit/barrier
- Display units
- Data managers
- Overvoltage protection

 For more information, see the brochure 'System Products and Data Managers - Solutions for the loop' (FA00016K)












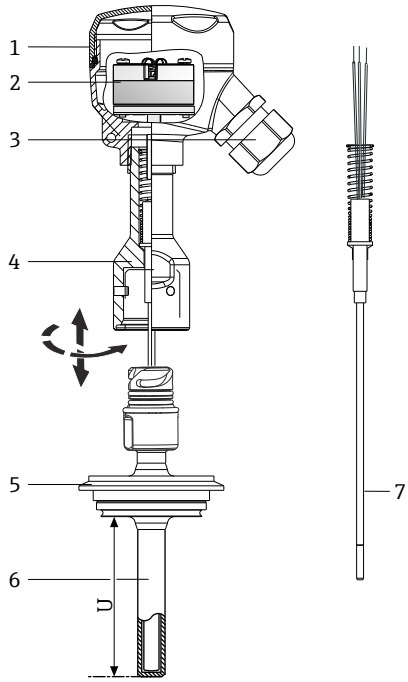
A0033768

 1 Example of application, measuring point layout with additional Endress+Hauser components

- iTHERM TM4x2: Installed RTD thermometer with integrated HART® head transmitter
- Display unit RIA15:
 - Display of 4 to 20 mA measured values or HART® process variables
 - Loop-powered
 - Voltage drop ≤ 1 V (HART® ≤ 1.9 V)
- Data Management Memograph M RSG45:
 - Tamper-proof data storage and access (FDA 21 CFR 11)
 - HART® gateway functionality; Up to 40 HART® devices connected at a time
 - Communication capabilities: Modbus, Profibus DP, PROFINET, EtherNet/IP
- PLC / FieldCare: Field Data Manager Software MS20 - Automatic service for report generation, printing reports, read out of data, storing of data, secure export, pdf generation Read out measured data via online interface or from mass storage Online visualization of instantaneous values ("live data") . More information on this can be found in the Technical Information, see "Documentation".

Modular design

Design	Options
<p>1: Terminal head, housing →  33</p>	<ul style="list-style-type: none"> ▪ 316L, high or low head, optionally with display window ▪ Aluminum, high or low head, with or without display window ▪ Polypropylene, low head ▪ Polyamide, high head, without display window ▪ Field transmitter with display, as option <p> Your benefits:</p> <ul style="list-style-type: none"> ▪ Optimum terminal access thanks to low housing edge of bottom section: <ul style="list-style-type: none"> ▪ Easier to use ▪ Lower installation and maintenance costs ▪ Optional display: local process display unit for added reliability ▪ IP69K protection: optimum protection even with high-pressure cleaning
<p>2: Wiring, electrical connection, output signal →  6</p>	<ul style="list-style-type: none"> ▪ Ceramic terminal block ▪ Flying leads ▪ Head transmitter (4 to 20 mA, HART®, PROFIBUS® PA, FOUNDATION™ Fieldbus, IO-Link®), single-channel or two-channel ▪ Attachable display (optional) ▪ Field transmitter (HART®), two-channel input
<p>3: Connector or cable gland</p>	<ul style="list-style-type: none"> ▪ PROFIBUS® PA / FOUNDATION™ Fieldbus connector, 4-pin ▪ 8-pin connector ▪ Polyamide cable glands
<p>4: Extension neck →  37</p>	<ul style="list-style-type: none"> ▪ Quick fastener iTHERM QuickNeck ▪ Standard NPT ½" nipple ▪ Hygienic nipple-union-nipple NPT ½" ▪ UNEF thread 1-¼" x 18, for mounting in existing thermowell <p> Your benefits:</p> <ul style="list-style-type: none"> ▪ iTHERM QuickNeck - tool-free removal of the insert: <ul style="list-style-type: none"> ▪ Saves time/costs on frequently calibrated measuring points ▪ Wiring mistakes avoided ▪ IP69K protection: safety under extreme process conditions ▪ Hygienic nipple-union-nipple: <ul style="list-style-type: none"> ▪ slim, hygienic construction design ▪ allow for removal of insert without unwiring device
<p>5: Process connection →  38</p>	<p>Wide range of different versions.</p>
<p>6: Thermowell</p>	<ul style="list-style-type: none"> ▪ Various diameters ▪ Various tip shapes (straight or reduced)
<p>7: Insert →  32</p> <p style="font-size: small; margin-top: 10px;">A0034469</p>	<p>Spring loaded sensor models: wire wound (WW) or thin-film sensor (TF).</p> <p> Your benefits:</p> <ul style="list-style-type: none"> ▪ iTHERM QuickSens - insert with the world's fastest response time: <ul style="list-style-type: none"> ▪ Insert: Ø3 mm (0.12 in) or Ø6 mm (0.24 in) ▪ Fast, highly accurate measurements, delivering maximum process safety and control ▪ Quality and cost optimization ▪ Minimization of necessary immersion length: better product protection thanks to improved process flow ▪ iTHERM StrongSens - insert with unbeatable durability: <ul style="list-style-type: none"> ▪ Vibration resistance > 60g: lower life cycle costs thanks to longer operating life and high plant availability ▪ Automated, traceable production: top quality and maximum process safety ▪ High long-term stability: reliable measured values and high level of system safety <p> Spring load of the insert = ½"</p>



Input

Measured variable Temperature (temperature-linear transmission behavior)

Measuring range *Depends on the type of sensor used*

Sensor type	Measuring range
Pt100 thin-film	-50 to +200 °C (-58 to +392 °F)
Pt100 thin-film, iTHERM StrongSens, vibration-resistant > 60g	-50 to +500 °C (-58 to +932 °F)
Pt100 thin-film, iTHERM QuickSens, fast-response	-50 to +200 °C (-58 to +392 °F)
Pt100 wire wound, extended measuring range	-200 to +600 °C (-328 to +1 112 °F)

Output

Output signal Generally, the measured value can be transmitted in one of two ways:

- Directly-wired sensors - sensor measured values forwarded without a transmitter.
- Via all common protocols by selecting an appropriate Endress+Hauser iTEMP temperature transmitter. All the transmitters listed below are mounted directly in the terminal head or as field transmitter and wired with the sensory mechanism.

Family of temperature transmitters

Thermometers fitted with iTEMP transmitters are an installation-ready complete solution to improve temperature measurement by significantly increasing accuracy and reliability, when compared to direct wired sensors, as well as reducing both wiring and maintenance costs.

PC programmable head transmitters

They offer a high degree of flexibility, thereby supporting universal application with low inventory storage. The iTEMP transmitters can be configured quickly and easily at a PC. Endress+Hauser offers free configuration software which can be downloaded from the Endress+Hauser Website. More information can be found in the Technical Information.

HART® head transmitters

The transmitter is a 2-wire device with one or two measuring inputs and one analog output. The device not only transfers converted signals from resistance thermometers and thermocouples, it also transfers resistance and voltage signals using HART® communication. Swift and easy operation, visualization and maintenance using universal device configuration tools like FieldCare, DeviceCare or FieldCommunicator 375/475. Integrated Bluetooth® interface for the wireless display of measured values and configuration via E+H SmartBlue (app), optional. For more information, see the Technical Information.

PROFIBUS® PA head transmitters

Universally programmable head transmitter with PROFIBUS® PA communication. Conversion of various input signals into digital output signals. High accuracy over the complete ambient temperature range. The configuration of PROFIBUS PA functions and of device-specific parameters is performed via fieldbus communication. For more information, see the Technical Information.

FOUNDATION Fieldbus™ head transmitters

Universally programmable head transmitter with FOUNDATION Fieldbus™ communication. Conversion of various input signals into digital output signals. High accuracy over the complete ambient temperature range. All transmitters are released for use in all important process control systems. The integration tests are performed in Endress+Hauser's "System World". For more information, see the Technical Information.

Head transmitter with PROFINET® and Ethernet-APL

The temperature transmitter is a 2-wire device with two measuring inputs. The device not only transfers converted signals from resistance thermometers and thermocouples, it also transfers resistance and voltage signals using the PROFINET® protocol. Power is supplied via the 2-wire Ethernet connection according to IEEE 802.3cg 10Base-T1. The transmitter can be installed as an

intrinsically safe electrical apparatus in Zone 1 hazardous areas. The device can be used for instrumentation purposes in the terminal head form B (flat face) according to DIN EN 50446.

Head transmitter with IO-Link®

The temperature transmitter is an IO-Link® device with a measurement input and an IO-Link® interface. It offers a configurable, simple and cost-effective solution thanks to digital communication via IO-Link®. The device is mounted in a terminal head form B (flat face) as per DIN EN 5044.

Advantages of the iTEMP transmitters:

- Dual or single sensor input (optionally for certain transmitters)
- Unsurpassed reliability, accuracy and long-term stability in critical processes
- Mathematical functions
- Monitoring of the thermometer drift, sensor backup functionality, sensor diagnostic functions
- Sensor-transmitter matching for dual sensor input transmitter, based on Callendar/Van Dusen coefficients

Field transmitters

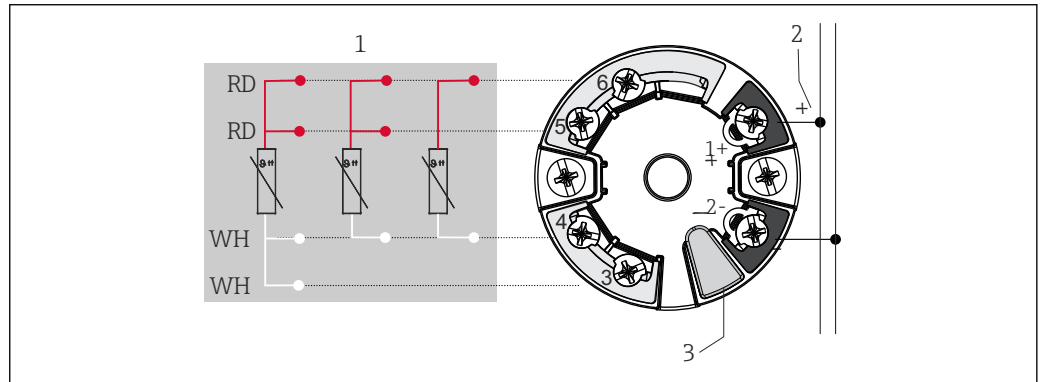
Field transmitter with HART® communication and backlit display. Can be read easily from a distance, in sunlight and at night. Large measurement value, bargraph and fault indication displayed. Benefits are: dual sensor input, highest reliability in harsh industrial environments, mathematic functions, thermometer drift monitoring and sensor back-up functionality, corrosion detection.

Power supply

Wiring diagrams for RTD

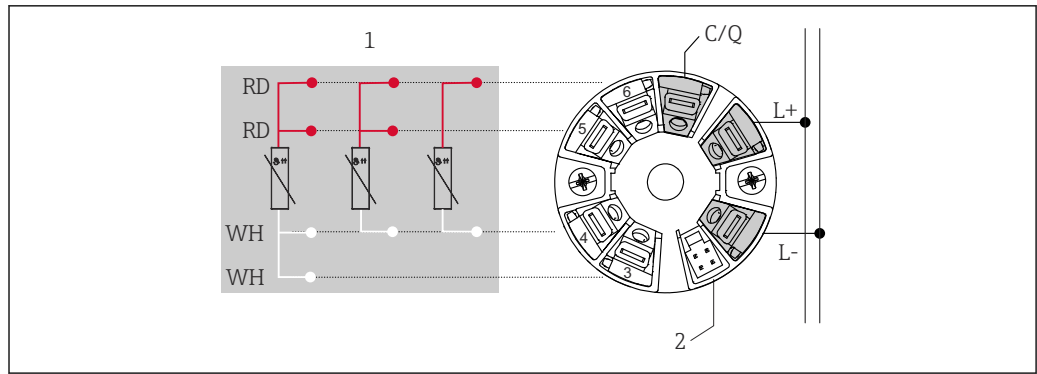
i According to the 3-A Sanitary Standard and the EHEDG, electrical connecting cables must be smooth, corrosion-resistant and easy to clean.

Type of sensor connection



2 Head mounted transmitter TMT7x or TMT31 (single input)

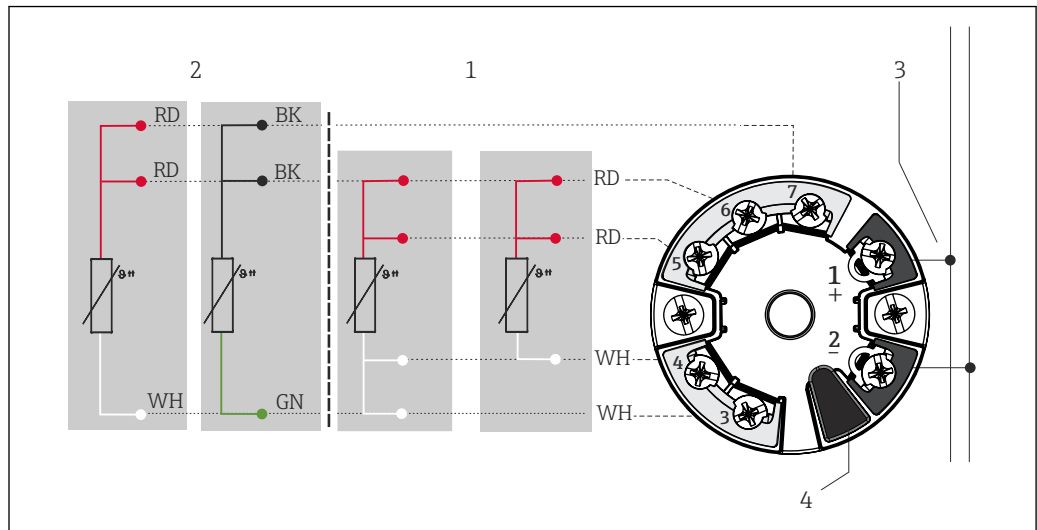
- 1 Sensor input, RTD, 4-, 3- and 2-wire
- 2 Power supply/bus connection
- 3 Display connection/CDI interface



A0052495

3 Head-mounted transmitter TMT36 (single input)

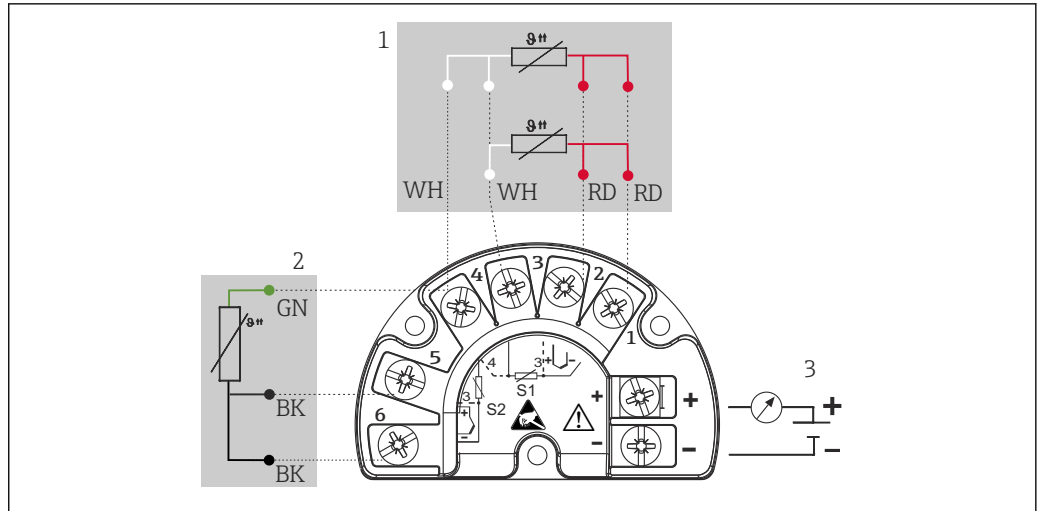
- 1 RTD sensor input: 4-, 3- and 2-wire
- 2 Display connection
- L+ 18 to 30 V_{DC} power supply
- L- 0 V_{DC} power supply
- C/Q IO-Link or switch output



A0045599

4 Head mounted transmitter TMT8x (dual input).

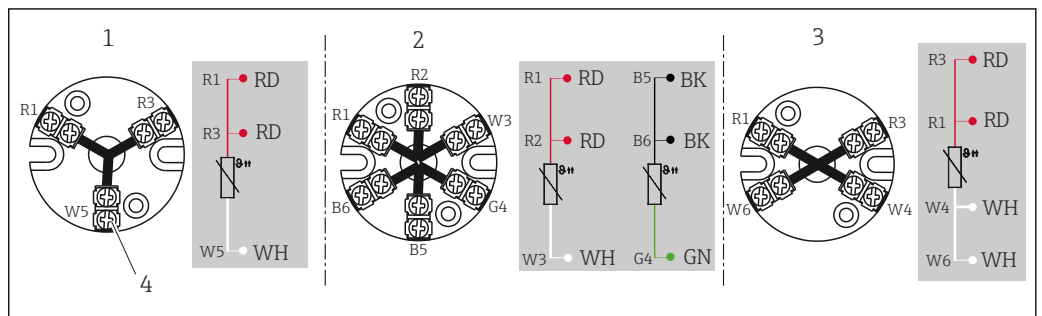
- 1 Sensor input 1, RTD, 4- and 3-wire
- 2 Sensor input 2, RTD, 3-wire
- 3 Bus connection and supply voltage
- 4 Display connection



A0045732

5 Field mounted transmitter TMT162 (dual input)

- 1 Sensor 1
- 2 Sensor 2 (not TMT142B)
- 3 Power supply field transmitter and analog output 4 to 20 mA or bus connection



A0045627

6 Terminal block mounted

- 1 3-wire single
- 2 2 x 3-wire single
- 3 4-wire single
- 4 Outside screw

Cable entries

See "Terminal heads" section.

The cable entries must be selected during configuration of the device. Different terminal heads offer different possibilities with regard to threads and the number of available entries.

Connectors

Endress+Hauser offers a wide variety of connectors for the simple and fast integration of the thermometer into a process control system. The following tables show the PIN assignments of the various plug connector combinations.

i We do not recommend connecting thermocouples directly to connectors. The direct connection to the pins of the plug might generate a new 'thermocouple' which influences the accuracy of the measurement. Therefore we do not connect thermocouples directly to connectors. The thermocouples are connected in conjunction with an iTEMP transmitter.

Abbreviations

#1	Order: first transmitter/insert	#2	Order: second transmitter/insert
i	Insulated. Wires marked 'i' are not connected and are insulated with heat shrink tubes.	YE	Yellow
GND	Grounded. Wires marked 'GND' are connected to the internal grounding screw in the terminal head.	RD	Red

BN	Brown	WH	White
GNYE	Green-yellow	PK	Pink
BU	Blue	GN	Green
GY	Gray	BK	Black

Terminal head with one cable entry ¹⁾

Connector	1x PROFIBUS® PA								1x FOUNDATION™ Fieldbus (FF)				1x PROFINET® and Ethernet-APL				
Plug thread	M12				7/8"				7/8"				M12				
PIN number	1	2	3	4	1	2	3	4	1	2	3	4	1	2	3	4	
Electrical connection (terminal head)																	
Flying leads and TC	Not connected (not insulated)																
3-wire terminal block (1x Pt100)	RD	RD	WH		RD	RD	WH		RD	RD	WH		RD	RD	WH		
4-wire terminal block (1x Pt100)	RD	RD	WH	WH	RD	RD	WH	WH	RD	RD	WH	WH	RD	RD	WH	WH	
6-wire terminal block (2x Pt100)	RD (#1) ²⁾	RD (#1)	WH (#1)		RD (#1)	RD (#1)	WH (#1)		RD (#1)	RD (#1)	WH (#1)		RD	RD	WH (#1)		
1x TMT 4 to 20 mA or HART®	+	i	-	i	+	i	-	i	+	i	-	i	+	i	-	i	
2x TMT 4 to 20 mA or HART® in the terminal head with a high cover	+(#1)	+(#2)	-(#1)	-(#2)	+(#1)	+(#2)	-(#1)	-(#2)	+(#1)	+(#2)	-(#1)	-(#2)	+(#1)	+(#2)	-(#1)	-(#2)	
1x TMT PROFIBUS® PA	+	i	-	GND ³⁾	+	i	-	GND ³⁾	Cannot be combined								
2x TMT PROFIBUS® PA	+(#1)	i	-(#1)	GND ³⁾	+	i	-	GND ³⁾	Cannot be combined								
1x TMT FF	Cannot be combined				Cannot be combined				-	+	GND	i	Cannot be combined				
2x TMT FF	Cannot be combined				Cannot be combined				-(#1)	+(#1)	GND	i	Cannot be combined				
1x TMT PROFINET®	Cannot be combined				Cannot be combined				Cannot be combined				APL signal -	APL signal +	GND		-
2x TMT PROFINET®	Cannot be combined				Cannot be combined				Cannot be combined				APL signal - (#1)	APL signal + (#1)	GND		-
PIN position and color code	 1 BN 2 GNYE 3 BU 4 GY A0018929				 1 BN 2 GNYE 3 BU 4 GY A0018930				 1 BU 2 BN 3 GY 4 GNYE A0018931				 1 RD 2 GN A0052119				

- 1) Options depend on product and configuration
- 2) Second Pt100 is not connected
- 3) If a head is used without grounding screw, e.g. plastic housing TA30S or TA30P, insulated 'i' instead of grounded GND

Terminal head with one cable entry ¹⁾

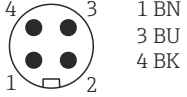
Connector	4-pin / 8-pin							
Plug thread	M12							
PIN number	1	2	3	4	5	6	7	8

Connector	4-pin / 8-pin							
Electrical connection (terminal head)								
Flying leads and TC	Not connected (not insulated)							
3-wire terminal block (1x Pt100)	RD	RD	WH		i			
4-wire terminal block (1x Pt100)			WH	WH				
6-wire terminal block (2x Pt100)			WH		BK	BK	YE	
1x TMT 4 to 20 mA or HART®	+ (#1)	i	- (#1)	i	i			
2x TMT 4 to 20 mA or HART® in the terminal head with a high cover					+ (#2)	i	- (#2)	i
1x TMT PROFIBUS® PA	Cannot be combined							
2x TMT PROFIBUS® PA								
1x TMT FF	Cannot be combined							
2x TMT FF								
1x TMT PROFINET®	Cannot be combined							
2x TMT PROFINET®	Cannot be combined							
PIN position and color code	<p>1 BN 2 GNYE 3 BU 4 GY</p>				<p>1 WH 2 BN 3 GN 4 YE 5 GY 6 PK 7 BU 8 RD</p>			

1) Options depend on product and configuration

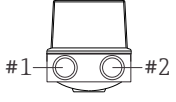
Terminal head with one cable entry

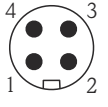
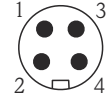
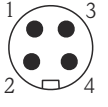

Plug	1x IO-Link®, 4-pin			
Plug thread	M12			
PIN number	1	2	3	4
Electrical connection (terminal head)				
Flying leads	Not connected (not insulated)			
3-wire terminal block (1x Pt100)	RD	i	RD	WH
4-wire terminal block (1x Pt100)	Cannot be combined			
6-wire terminal block (2x Pt100)				
1x TMT 4 to 20 mA or HART®	Cannot be combined			
2x TMT 4 to 20 mA or HART® in the terminal head with a high cover				
1x TMT PROFIBUS® PA	Cannot be combined			
2x TMT PROFIBUS® PA				
1x TMT FF	Cannot be combined			
2x TMT FF				
1x TMT PROFINET®	Cannot be combined			
2x TMT PROFINET®				
1x TMT IO-Link®	L+	-	L-	C/Q

Plug	1x IO-Link®, 4-pin			
2x TMT IO-Link®	L+ (#1)	-	L- (#1)	C/Q
PIN position and color code				

A0055383

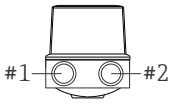

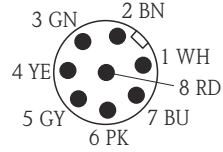
Terminal head with two cable entries ¹⁾

Connector	2x PROFIBUS® PA								2x FOUNDATION™ Fieldbus (FF)				2x PROFINET® and Ethernet-APL			
Plug thread  <small>A0021706</small>	M12(#1)/M12(#2)				7/8"(#1) / 7/8"(#2)				7/8"(#1) / 7/8"(#2)				M12 (#1)/M12 (#2)			
PIN number	1	2	3	4	1	2	3	4	1	2	3	4	1	2	3	4
Electrical connection (terminal head)																
Flying leads and TC	Not connected (not insulated)															
3-wire terminal block (1x Pt100)	RD/i	RD/i	WH/i		RD/i	RD/i	WH/i		RD/i	RD/i	WH/i		RD/i	RD/i	WH/i	
4-wire terminal block (1x Pt100)			WH/i	WH/i			WH/i	WH/i			WH/i	WH/i			WH/i	WH/i
6-wire terminal block (2x Pt100)	RD/B K	RD/B K	WH/YE		RD/B K	RD/B K	WH/YE		RD/B K	RD/B K	WH/YE		RD/B K	RD/B K	WH/YE	
1x TMT 4 to 20 mA or HART®	+/i		-/i		+/i		-/i		+/i		-/i		+/i		-/i	
2x TMT 4 to 20 mA or HART® in the terminal head with a high cover	+ (#1)/+ (#2)	i/i	- (#1)/- (#2)	i/i	+ (#1)/+ (#2)	i/i	- (#1)/- (#2)	i/i	+ (#1)/+ (#2)	i/i	- (#1)/- (#2)	i/i	+ (#1)/+ (#2)	i/i	- (#1)/- (#2)	i/i
1x TMT PROFIBUS® PA	+/i		-/i		+/i		-/i		Cannot be combined							
2x TMT PROFIBUS® PA	+ (#1)/+ (#2)		- (#1)/- (#2)	GND/GND	+ (#1)/+ (#2)		- (#1)/- (#2)	GND/GND								
1x TMT FF	Cannot be combined				Cannot be combined				-/i	+/i		GND/GND	Cannot be combined			
2x TMT FF	Cannot be combined				Cannot be combined				- (#1)/- (#2)	+ (#1)/+ (#2)	i/i	GND/GND	Cannot be combined			
1x TMT PROFINET®	Cannot be combined				Cannot be combined				Cannot be combined				APL signal -	APL signal +	GND	i

Connector	2x PROFIBUS® PA		2x FOUNDATION™ Fieldbus (FF)	2x PROFINET® and Ethernet-APL	
2x TMT PROFINET®	Cannot be combined		Cannot be combined	Cannot be combined	APL signal - (#1) and (#2) APL signal 1+ (#1) and (#2)
PIN position and color code	 1 BN 2 GNYE 3 BU 4 GY <small>A0018929</small>	 1 BN 2 GNYE 3 BU 4 GY <small>A0018930</small>	 1 BU 2 BN 3 GY 4 GNYE <small>A0018931</small>	 1 RD 2 GN <small>A0052119</small>	

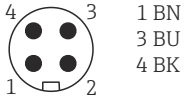
1) Options depend on product and configuration

Terminal head with two cable entries ¹⁾

Connector	4-pin / 8-pin							
Plug thread  <small>A0021706</small>	M12 (#1)/M12 (#2)							
PIN number	1	2	3	4	5	6	7	8
Electrical connection (terminal head)								
Flying leads and TC	Not connected (not insulated)							
3-wire terminal block (1x Pt100)	RD/i	RD/i	WH/i		i/i			
4-wire terminal block (1x Pt100)			WH/i	WH/i				
6-wire terminal block (2x Pt100)	RD/BK	RD/BK	WH/YE					
1x TMT 4 to 20 mA or HART®	+/i	i/i	-/i	i/i				
2x TMT 4 to 20 mA or HART® in the terminal head with a high cover	+(#1)/+(#2)		-(#1)/-(#2)					
1x TMT PROFIBUS® PA	Cannot be combined							
2x TMT PROFIBUS® PA								
1x TMT FF	Cannot be combined							
2x TMT FF								
1x TMT PROFINET®	Cannot be combined							
2x TMT PROFINET®	Cannot be combined							
PIN position and color code	 1 BN 2 GNYE 3 BU 4 GY <small>A0018929</small>	 1 WH 2 BN 3 GN 4 YE 5 GY 6 PK 7 BU 8 RD <small>A0018927</small>						

1) Options depend on product and configuration

Terminal head with two cable entries

Plug	2x IO-Link®, 4-pin			
Plug thread	M12 (#1)/M12 (#2)			
PIN number	1	2	3	4
Electrical connection (terminal head)				
Flying leads	Not connected (not insulated)			
3-wire terminal block (1x Pt100)	RD	i	RD	WH
4-wire terminal block (1x Pt100)	Cannot be combined			
6-wire terminal block (2x Pt100)	RD/BK	i	RD/BK	WH/YE
1x TMT 4 to 20 mA or HART®	Cannot be combined			
2x TMT 4 to 20 mA or HART® in the terminal head with a high cover				
1x TMT PROFIBUS® PA				
2x TMT PROFIBUS® PA	Cannot be combined			
1x TMT FF	Cannot be combined			
2x TMT FF				
1x TMT PROFINET®	Cannot be combined			
2x TMT PROFINET®				
1x TMT IO-Link®	L+	-	L-	C/Q
2x TMT IO-Link®	L+ (#1) and (#2)	-	L- (#1) and (#2)	C/Q
PIN position and color code				

A0055383

Insert - transmitter connection combination ¹⁾

Insert	Transmitter connection ²⁾			
	TMT31/TMT7x		TMT8x	
	1x 1-channel	2x 1-channel	1x 2-channel	2x 2-channel
1x sensor (Pt100 or TC), flying leads	Sensor (#1): transmitter (#1)	Sensor (#1): transmitter (#1) (Transmitter (#2) not connected)	Sensor (#1): transmitter (#1)	Sensor (#1): transmitter (#1) Transmitter (#2) not connected
2x sensor (2x Pt100 or 2x TC), flying leads	Sensor (#1): transmitter (#1) Sensor (#2) insulated	Sensor (#1): transmitter (#1) Sensor (#2): transmitter (#2)	Sensor (#1): transmitter (#1) Sensor (#2): transmitter (#1)	Sensor (#1): transmitter (#1) Sensor (#2): transmitter (#1) (Transmitter (#2) not connected)
1x sensor (Pt100 or TC), with terminal block ³⁾	Sensor (#1): transmitter in cover	Cannot be combined	Sensor (#1): transmitter in cover	Cannot be combined

Insert	Transmitter connection ²⁾			
	TMT31/TMT7x		TMT8x	
	1x 1-channel	2x 1-channel	1x 2-channel	2x 2-channel
2x sensor (2x Pt100 or 2x TC) with terminal block	Sensor (#1): transmitter in cover Sensor (#2) not connected		Sensor (#1): transmitter in cover Sensor (#2): transmitter in cover	
2x sensor (2x Pt100 or 2x TC) in conjunction with feature 600, option MG ⁴⁾	Cannot be combined	Sensor (#1): transmitter (#1) Sensor (#2): transmitter (#2)	Cannot be combined	Sensor (#1): transmitter (#1) - channel 1 Sensor (#2): transmitter (#2) - channel 1

- 1) Options depend on product and configuration
- 2) If 2 transmitters are selected in a terminal head, transmitter (#1) is installed directly on the insert. Transmitter (#2) is installed in the high cover. A TAG cannot be ordered for the 2nd transmitter as standard. The bus address is set to the default value and, if necessary, must be changed manually before commissioning.
- 3) Only in the terminal head with a high cover, only 1 transmitter possible. A ceramic terminal block is automatically fitted on the insert.
- 4) Individual sensors each connected to channel 1 of a transmitter

Overvoltage protection

To protect against overvoltage in the power supply and signal/communication cables for the thermometer electronics, Endress+Hauser offers the HAW562 surge arrester for DIN rail mounting and the HAW569 for field housing installation.



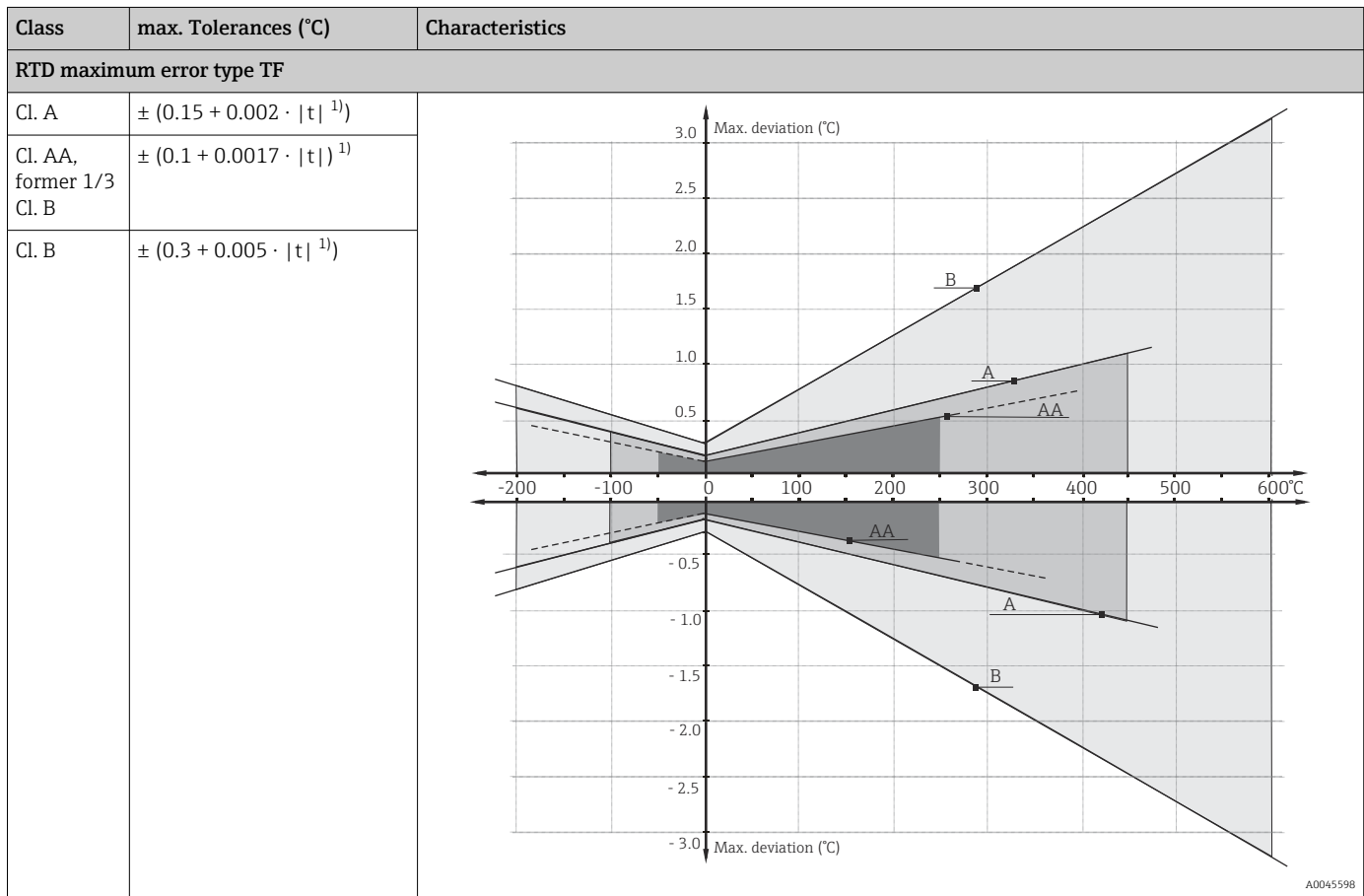
For more information see the Technical Information 'HAW562 Surge arrester' TI01012K and 'HAW569 Surge arrester' TI01013K.

Performance characteristics

Reference conditions

This data is relevant for determining the measurement accuracy of the iTEMP transmitters used. For details, see the relevant Technical Information.

Maximum measured error RTD resistance thermometer as per IEC 60751:



1) |t| = absolute value °C

i For measurement errors in °F, calculate using equations in °C, then multiply the outcome by 1.8.

Temperature ranges

Sensor type ¹⁾	Operating temperature range	Class B	Class A	Class AA
Pt100 (TF) Basic	-50 to +200 °C (-58 to +392 °F)	-50 to +200 °C (-58 to +392 °F)	-30 to +200 °C (-22 to +392 °F)	-
Pt100 (TF) Standard	-50 to +400 °C (-58 to +752 °F)	-50 to +400 °C (-58 to +752 °F)	-30 to +250 °C (-22 to +482 °F)	0 to +150 °C (32 to 302 °F)
Pt100 (TF) iTHERM QuickSens	-50 to +200 °C (-58 to +392 °F)	-50 to +200 °C (-58 to +392 °F)	-30 to +200 °C (-22 to +392 °F)	0 to +150 °C (32 to 302 °F)
Pt100 (TF) iTHERM StrongSens	-50 to +500 °C (-58 to +932 °F)	-50 to +500 °C (-58 to +932 °F)	-30 to +300 °C (-22 to +572 °F)	0 to +150 °C (+32 to +302 °F)
Pt100 (WW)	-200 to +600 °C (-328 to +1112 °F)	-200 to +600 °C (-328 to +1112 °F)	-100 to +450 °C (-148 to +842 °F)	-50 to +250 °C (-58 to +482 °F)

1) Selection depending on product and configuration

Influence of ambient temperature

Depends on the head transmitter used. For details, see Technical Information.

Self heating RTD elements are passive resistances that are measured using an external current. This measurement current causes a self-heating effect in the RTD element itself which in turn creates an additional measurement error. In addition to the measurement current, the size of the measurement error is also affected by the temperature conductivity and flow velocity of the process. This self-heating error is negligible when an Endress+Hauser iTEMP temperature transmitter (very small measurement current) is connected.

Response time Tests in water at 0.4 m/s (1.3 ft/s), according to IEC 60751; 10 K temperature step change.

Response time without heat transfer paste ¹⁾

Thermowell	Shape of tip	Insert	1x Pt100 iTHERM QuickSens, TF		1x Pt100 iTHERM StrongSens, TF		1x Pt100 wire wound WW		2x Pt100 wire wound WW		1x Pt100 standard thin-film TF		2x Pt100 standard thin-film TF	
			t ₅₀	t ₉₀	t ₅₀	t ₉₀	t ₅₀	t ₉₀	t ₅₀	t ₉₀	t ₅₀	t ₉₀	t ₅₀	t ₉₀
∅6.35 mm (¼ in)	Reduced 4.76 mm (¾ ₁₆ in) x 19.05 mm (0.75 in)	∅3 mm (0.12 in)	1.6 s	5.9 s	-	-	7.8 s	21.8 s	7.8 s	21.8 s	-	-	-	-
∅9.53 mm (¾ in)	Straight	∅6 mm (0.24 in)	8.5 s	47 s	25.9 s	80.9 s	-	-	-	-	-	-	-	-
	Straight	∅6.35 mm (¼ in)	-	-	-	-	23.6 s	67 s	21.8 s	65.2 s	18.4 s	55.8 s	18.4 s	55.8 s
	Reduced 4.76 mm (¾ ₁₆ in) x 19.05 mm (0.75 in)	∅3 mm (0.12 in)	1.5 s	5.5 s	-	-	8.4 s	23 s	8.4 s	23 s	-	-	-	-
∅12.7 mm (½ in)	Straight	∅6 mm (0.24 in)	8.2 s	34.8 s	23.4 s	70.6 s	-	-	-	-	-	-	-	-
	Straight	∅6.35 mm (¼ in)	-	-	-	-	20.1 s	55.4 s	21.3 s	61.8 s	17.9 s	51.5 s	17.9 s	51.5 s
	Reduced 4.76 mm (¾ ₁₆ in) x 19.05 mm (0.75 in)	∅3 mm (0.12 in)	1.8 s	6.2 s	-	-	8.8 s	24.1 s	8.8 s	24.1 s	-	-	-	-

1) If using a thermowell.



Response time for directly wired insert without transmitter.

Calibration

Calibration of thermometers

Calibration involves comparing the measured values of a device under test (DUT) with those of a more precise calibration standard using a defined and reproducible measurement method. The aim is to determine the deviation of the DUT's measured values from the true value of the measured variable. Two different methods are used for thermometers:

- Calibration at fixed-point temperatures, e.g. at the freezing point of water at 0 °C,
- Calibration compared against a precise reference thermometer.

The thermometer to be calibrated must display the fixed point temperature or the temperature of the reference thermometer as accurately as possible. Temperature-controlled calibration baths with very homogeneous thermal values, or special calibration furnaces into which the DUT and the reference thermometer, where necessary, can project to a sufficient degree, are typically used for thermometer calibrations.

The measurement uncertainty can increase due to heat dissipation errors and short immersion lengths. The existing measurement uncertainty is listed on the individual calibration certificate.

For accredited calibrations according to ISO17025, the measurement uncertainty shouldn't be twice as high as the accredited measurement uncertainty. If this is exceeded, only a factory calibration can be performed.

Sensor transmitter matching

The resistance/temperature curve of platinum resistance thermometers is standardized but in practice it is rarely possible to keep to the values precisely over the entire operating temperature range. For this reason, platinum resistance sensors are divided into tolerance classes, such as Class A, AA or B as per IEC 60751. These tolerance classes describe the maximum permissible deviation of the specific sensor characteristic curve from the standard curve, i.e. the maximum temperature-dependent characteristic error that is permitted. The conversion of measured sensor resistance values to temperatures in temperature transmitters or other meter electronics is often susceptible to considerable errors as the conversion is generally based on the standard characteristic curve.

When using Endress+Hauser temperature transmitters, this conversion error can be reduced significantly by sensor-transmitter matching

- Calibration at three temperatures at least and determination of the actual temperature sensor characteristic curve,
- Adjustment of the sensor-specific polynomial function using Calendar-van Dusen (CvD) coefficients,
- Configuration of the temperature transmitter with the sensor-specific CvD coefficients for resistance/temperature conversion, and
- another calibration of the reconfigured temperature transmitter with connected resistance thermometer.

Endress+Hauser offers this kind of sensor-transmitter matching as a separate service. Furthermore, the sensor-specific polynomial coefficients of platinum resistance thermometers are always provided on every Endress+Hauser calibration certificate where possible, e.g. at least three calibration points, so that users themselves can also appropriately configure suitable temperature transmitters.

For the device, Endress+Hauser offers standard calibrations at a reference temperature of -20 to +500 °C (-4 to +932 °F) based on the ITS90 (International Temperature Scale). Calibrations in other temperature ranges are available from your Endress+Hauser sales center on request.

Calibrations are traceable to national and international standards. The calibration certificate is referenced to the serial number of the device. Only the insert is calibrated.

Minimum insertion length (IL) for inserts required to perform a correct calibration

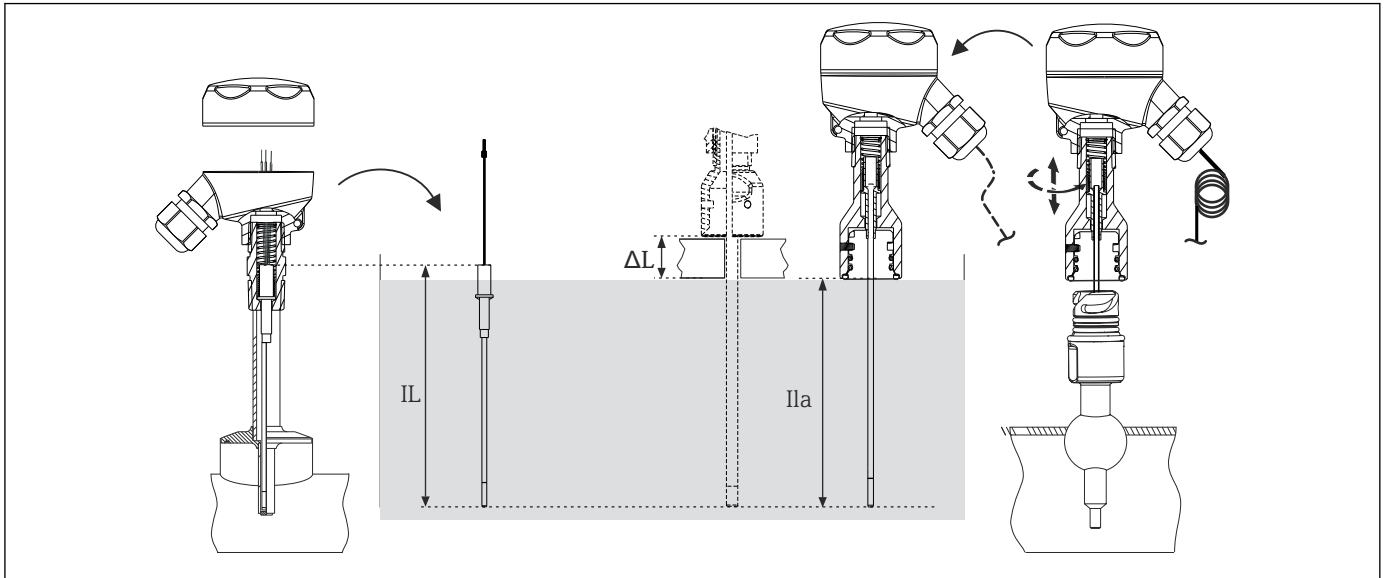
Due to restrictions of the bath geometries, minimum insertion lengths must be maintained at high temperatures in order to be able to perform a calibration with acceptable measurement uncertainty. The same applies when a temperature head transmitter is used. Due to the heat dissipation, minimum insertion lengths must be maintained in order to ensure the functionality of the transmitter -40 to +85 °C (-40 to +185 °F).

Minimum insertion length (IL):

Calibration temperature	Minimum insertion length (IL)
-196 °C (-320.8 °F)	120 mm (4.72 in) ¹⁾
-80 to +250 °C (-112 to +482 °F)	No minimum insertion length needed ²⁾

Calibration temperature	Minimum insertion length (IL)
251 to 550 °C (483 to 1022 °F)	300 mm (11.8 in)
551 to 600 °C (1023 to 1112 °F)	400 mm (15.8 in)

- 1) Min. 150 mm (5.91) required with iTEMP head transmitters
- 2) At a temperature of -80 to +250 °C (-112 to +482 °F) and with iTEMP head transmitters, min. 50 mm (1.97 in) is required



A0033648

7 Insertion lengths for sensor calibration

- IL* Insertion length for factory calibration or recalibration onsite without the iTHERM QuickNeck extension neck
- ILa* Insertion length for recalibration onsite with the iTHERM QuickNeck extension neck
- ΔL* Additional length, depending on the calibration unit, if the insert cannot be fully immersed

- To check the actual accuracy rating of the thermometers installed, a cyclic calibration of the installed sensor needs to be performed frequently. The insert is normally removed for comparison with a precise reference thermometer in the calibration bath (see graphic, left part). A reproducible calibration requires the insert to have a minimum insertion length *IL*. If the insert is shorter than this minimum length, this reproducibility cannot be guaranteed.
- The iTHERM QuickNeck enables quick, tool-free removal of the insert for calibration purposes. The entire upper part of the thermometer is released by turning the terminal head. The insert is removed from the thermowell and directly immersed into the calibration bath (see graphic, right part). Make sure that the cable is long enough to be able to reach the mobile calibration bath with the cable connected. If this is not possible for the calibration, it is advisable to use a connector.

Advantages of iTHERM QuickNeck:

- Considerable time savings when recalibrating the device (up to 20 minutes per measuring point)
- Wiring mistakes avoided when re-installing
- Minimum plant downtime, thereby saving costs

i The minimum immersion length is the length of the insert that is fully immersed in the calibration bath. For a valid recalibration, the value selected for the length *ILa* must be at least the value of the previously defined minimum insertion lengths (*IL*) of the specific types of insert. For more detailed values, see the previous tables, values without head transmitter. If the calibration unit used does not allow the insert to be fully immersed as far as the bottom edge of the top part of the iTHERM QuickNeck, it might be necessary to add an additional length (*ΔL*) to *ILa*. → **18**

Formulas for calculating the ILa when recalibrating onsite with iTHERM QuickNeck ¹⁾

Thermowell version	Formula
Thermowell diameter $\varnothing 6.35$ mm ($\frac{1}{4}$ in)	ILa = U + T + 38.1 mm (1.5 in)
Thermowell diameter $\varnothing 9.53$ mm ($\frac{3}{8}$ in)	
Thermowell diameter $\varnothing 12.7$ mm ($\frac{1}{2}$ in)	

1) Spring load of the insert $\frac{1}{2}$ in

Insulation resistance

Insulation resistance ≥ 100 M Ω at ambient temperature, measured between the terminals and the outer jacket with a minimum voltage of 100 V_{DC}.


Installation

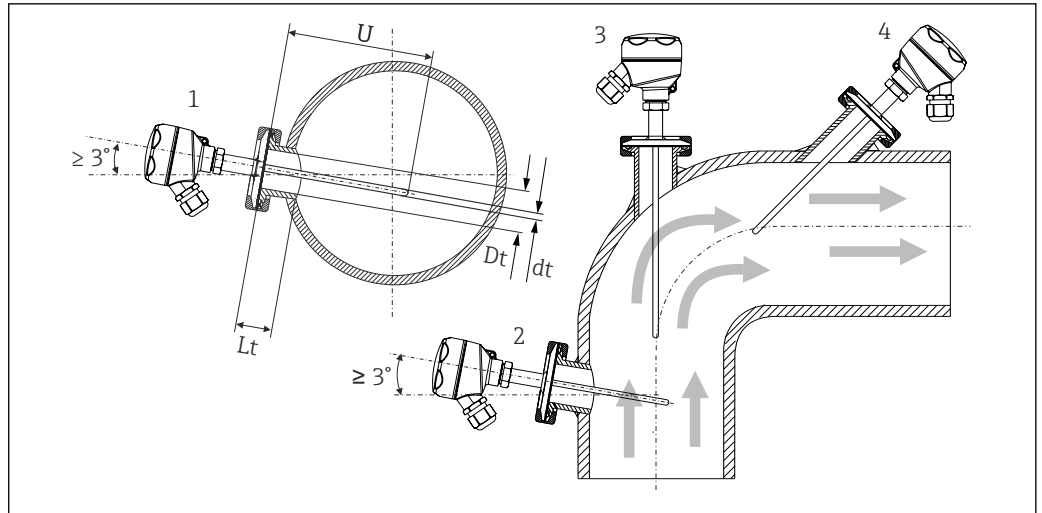
Orientation

No restrictions. However, self-draining in the process must be guaranteed. If there is an opening to detect leaks at the process connection, this opening must be at the lowest possible point.

Installation instructions

The immersion length of the thermometer can influence the accuracy. If the immersion length is too small then errors in the measurement are caused by heat conduction via the process connection and the container wall. If installing into a pipe then the immersion length should ideally be half of the pipe diameter.

- Installation possibilities: Pipes, tanks or other plant components
- To minimize the error caused by heat conduction, a minimum immersion length is recommended depending on the type of sensor used and the design of the insert. This immersion depth corresponds to the minimum insertion length for the calibration. →  18
- ATEX certification: Observe the installation instructions in the Ex documentation!



A0008946

8 Installation examples

- 1, 2 Perpendicular to flow direction, installed at a minimum angle of 3° to ensure self-draining
- 3 On elbows
- 4 Inclined installation in pipes with a small nominal diameter
- U Immersion length

i The requirements of the EHEDG and the 3-A Sanitary Standard must be adhered to.

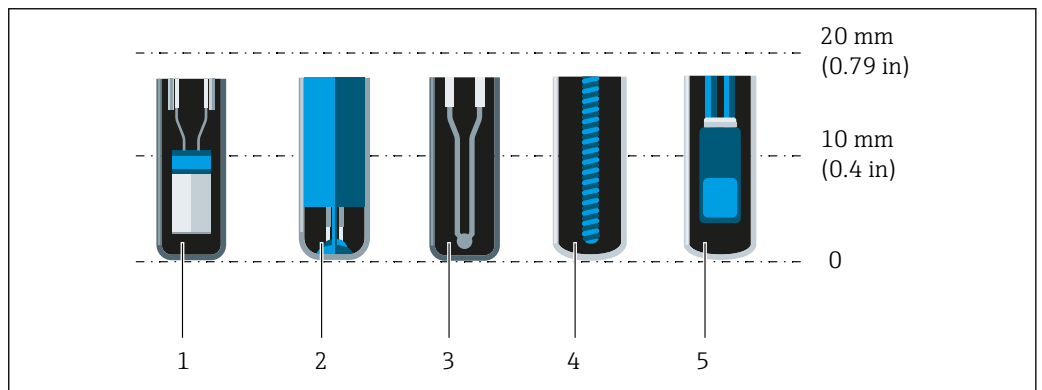
Installation instructions EHEDG/cleanability: $L_t \leq (D_t - d_t)$

Installation instructions 3-A/cleanability: $L_t \leq 2(D_t - d_t)$

i In the case of pipes with a small nominal diameter, it is advisable for the tip of the thermometer to project well into the process so that it extends past the pipe axis. Installation at an angle (4) could be another solution. When determining the immersion length or installation depth all the parameters of the thermometer and of the medium to be measured must be taken into account (e.g. flow velocity, process pressure).

Pay attention to the exact position of the sensor element in the thermometer tip.

Available options are depending on product and configuration.



A0041814

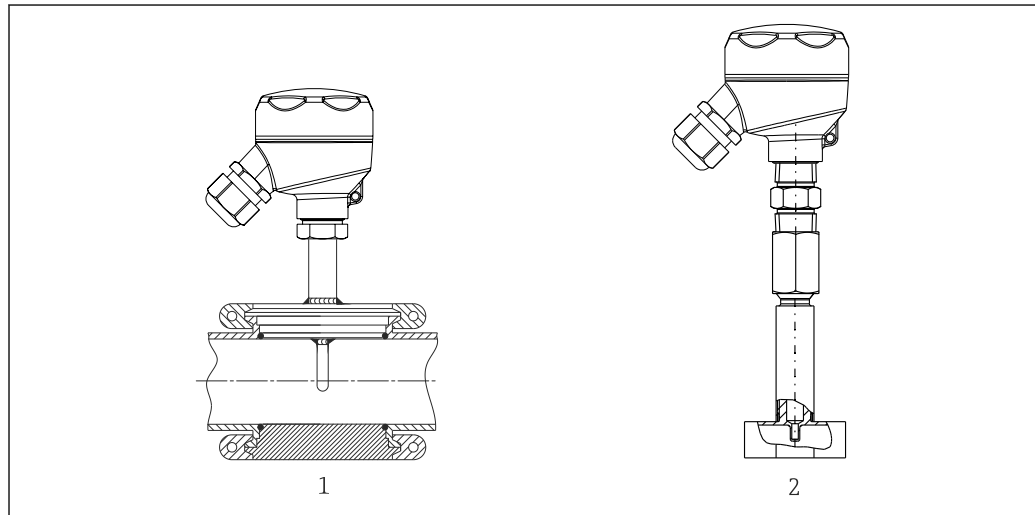
- 1 StrongSens or TrustSens at 5 to 7 mm (0.2 to 0.28 in)
- 2 QuickSens at 0.5 to 1.5 mm (0.02 to 0.06 in)
- 3 Thermocouple (not grounded) at 3 to 5 mm (0.12 to 0.2 in)
- 4 Wire wound sensor at 5 to 20 mm (0.2 to 0.79 in)
- 5 Standard thin-film sensor at 5 to 10 mm (0.2 to 0.39 in)

To keep the influence of heat dissipation to a minimum and to achieve the best possible measurement results, 20 to 25 mm (0.79 to 0.98 in) should be in contact with the medium in addition to the actual sensor element.

This results in the following recommended minimum immersion lengths

- TrustSens or StrongSens 30 mm (1.18 in)
- QuickSens 25 mm (0.98 in)
- Wire wound sensor 45 mm (1.77 in)
- Standard thin-film sensor 35 mm (1.38 in)

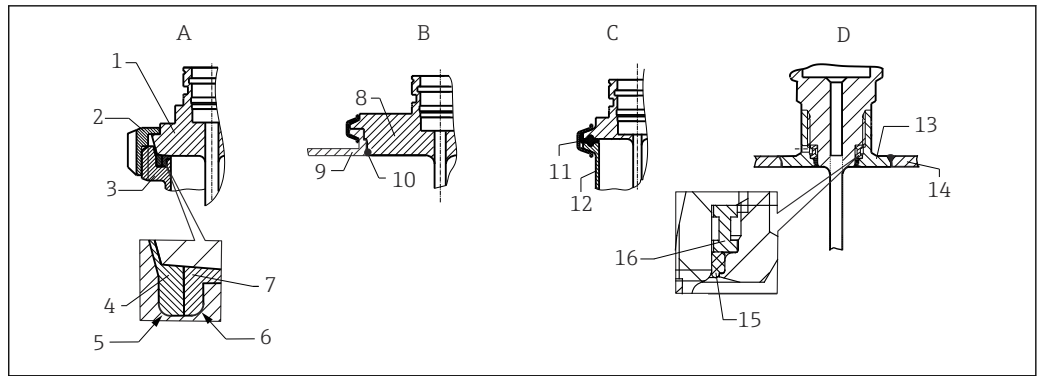
It is particularly important to take this into consideration for T-pieces, as the immersion length is very short on account of their design, and the measured error is higher as a result. It is therefore recommended to use elbow pieces with QuickSens sensors.



9 Process connections for thermometer installation in pipes with small nominal diameters

1 Varivent® process connection type N for DN40

2 Tee or elbow thermowell (illustrated) for weld-in as per DIN 11865 / ASME BPE



10 Detailed installation instructions for hygiene-compliant installation

- A Milk pipe connection according to DIN 11851, only in connection with EHEDG certified and self-centering sealing ring
- 1 Sensor with milk pipe connection
 - 2 Groove slip-on nut
 - 3 Counterpart connection
 - 4 Centering ring
 - 5 R0.4
 - 6 R0.4
 - 7 Sealing ring
- B Varivent® process connection for VARINLINE® housing
- 8 Sensor with Varivent connection
 - 9 Counterpart connection
 - 10 O-ring
- C Clamp according to ISO 2852
- 11 Molded seal
 - 12 Counterpart connection
- D Process connection Liquiphant-M G1", horizontal installation
- 13 Weld-in adapter
 - 14 Vessel wall
 - 15 O-ring
 - 16 Thrust collar

NOTICE

The following actions must be taken if a sealing ring (O-ring) or seal fails:

- ▶ The thermometer must be removed.
- ▶ The thread and the O-ring joint/sealing surface must be cleaned.
- ▶ The sealing ring or seal must be replaced.
- ▶ CIP must be performed after installation.

In the case of weld-in connections, exercise the necessary degree of care when performing the welding work on the process side:

1. Use suitable welding material.
2. Flush-weld or weld with welding radius ≥ 3.2 mm (0.13 in).
3. Avoid crevices, folds or gaps.
4. Ensure the surface is honed and polished, $R_a \leq 0.76$ μm (30 μin).

Pay attention to the following when installing the thermometer to ensure that the cleanability is not affected:

1. The installed sensor is suitable for CIP (cleaning in place). Cleaning is performed together with the pipe or tank. In the case of internal tank fixtures using process connection nozzles, it is important to ensure that the cleaning assembly directly sprays this area so that it is cleaned properly.
2. The Varivent® couplings enable flush-mount installation.

Environment

Ambient temperature range	Terminal head	Temperature in °C (°F)
	Without mounted head transmitter	Depends on the terminal head used and the cable gland or fieldbus connector, see 'Terminal heads' section → 33
	With mounted head transmitter	-40 to 85 °C (-40 to 185 °F) SIL mode (HART 7 transmitter): -40 to 70 °C (-40 to 158 °F)
	With mounted head transmitter and display	-20 to 70 °C (-4 to 158 °F)
	With mounted field transmitter	<ul style="list-style-type: none"> ■ Without display: -40 to 85 °C (-40 to 185 °F) ■ With display: -40 to +80 °C (-40 to +176 °F) ■ SIL mode: -40 to +75 °C (-40 to +167 °F)

Extension neck	Temperature in °C (°F)
iTHERM QuickNeck	-50 to +140 °C (-58 to +284 °F)

Storage temperature For information, see the ambient temperature.

Humidity Depends on the transmitter used. If Endress+Hauser iTEMP head transmitters are used:

- Condensation permitted as per IEC 60 068-2-33
- Maximum relative humidity: 95% as per IEC 60068-2-30

Climate class As per EN 60654-1, Class C

Degree of protection Max. IP69K, depending on the design (terminal head, connector, etc.)

Shock and vibration resistance The Endress+Hauser inserts meet the requirements of IEC 60751 which specify shock and vibration resistance of 3g in the range from 10 to 500 Hz. The vibration resistance at the measuring point depends on the sensor type and design, see the following table:

Version	Vibration resistance for the sensor tip
Pt100 (WW or TF)	30 m/s ² (3g) ¹⁾
iTHERM StrongSens Pt100 (TF) iTHERM QuickSens Pt100 (TF), version: Ø6 mm (0.24 in)	> 600 m/s ² (60g)

1) Vibration resistance also applies for the quick-fastening iTHERM QuickNeck.


Electromagnetic compatibility (EMC) Depends on the head transmitter used. For details see the Technical Information.

Process

Process temperature range Depends on the type of sensor used, maximum -200 to +600 °C (-328 to +1112 °F).

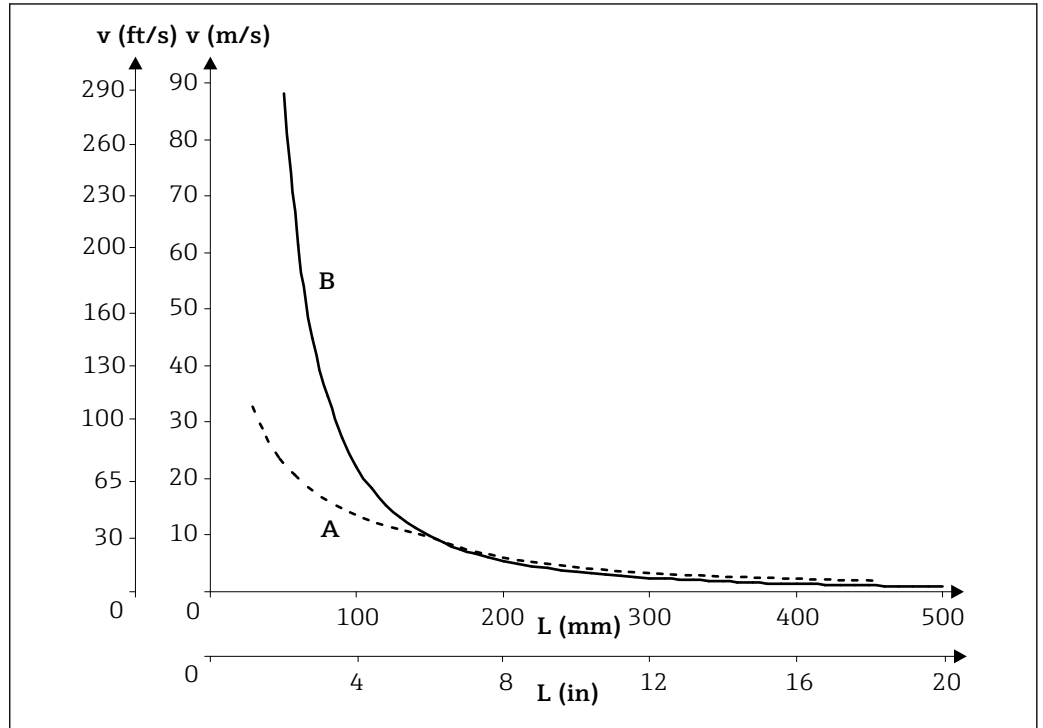
Thermal shock Thermal shock resistance in CIP/SIP process with a temperature increase from +5 to +130 °C (+41 to +266 °F) within 2 seconds.

Process pressure range The maximum possible process pressure depends on various influencing factors, such as the design, process connection and process temperature. For information on the maximum possible process pressures for the individual process connections, see the 'Process connection' section. → 38

 It is possible to check the mechanical loading capacity as a function of the installation and process conditions online in the Thermowell (TW) Sizing Module for thermowells in the Endress+Hauser Applicator software. See 'Accessories' section.

Example of the permitted flow velocity depending on the immersion length and process medium

The highest flow velocity tolerated by the thermometer diminishes with increasing insert immersion length exposed to the stream of the fluid. In addition it is dependent on the diameter of the thermometer tip, on the kind of measuring medium, on the process temperature and on the process pressure. The following figures exemplify the maximum permitted flow velocities in water and superheated steam at a process pressure of 40 bar (580 PSI).



11 Permitted flow velocities, thermowell diameter 9.53 mm (3/8 in)

- A Medium water at $T = 50\text{ }^{\circ}\text{C}$ ($122\text{ }^{\circ}\text{F}$)
- B Medium superheated steam at $T = 400\text{ }^{\circ}\text{C}$ ($752\text{ }^{\circ}\text{F}$)
- L Immersion length exposed to flow
- v Flow velocity

Medium - state of aggregation

Gaseous or liquid (also with high viscosity, e.g. yogurt).

Mechanical construction

Design, dimensions

All dimensions in mm (in). The design of the thermometer depends on the thermowell version used:

- Thermometer without thermowell - for installation in an existing thermowell
- Diameter 6.35 mm ($\frac{1}{4}$ in)
- Diameter 9.53 mm ($\frac{3}{8}$ in)
- Diameter 12.7 mm ($\frac{1}{2}$ in)
- Tee and elbow thermowell version as per DIN 11865 / ASME BPE for weld-in

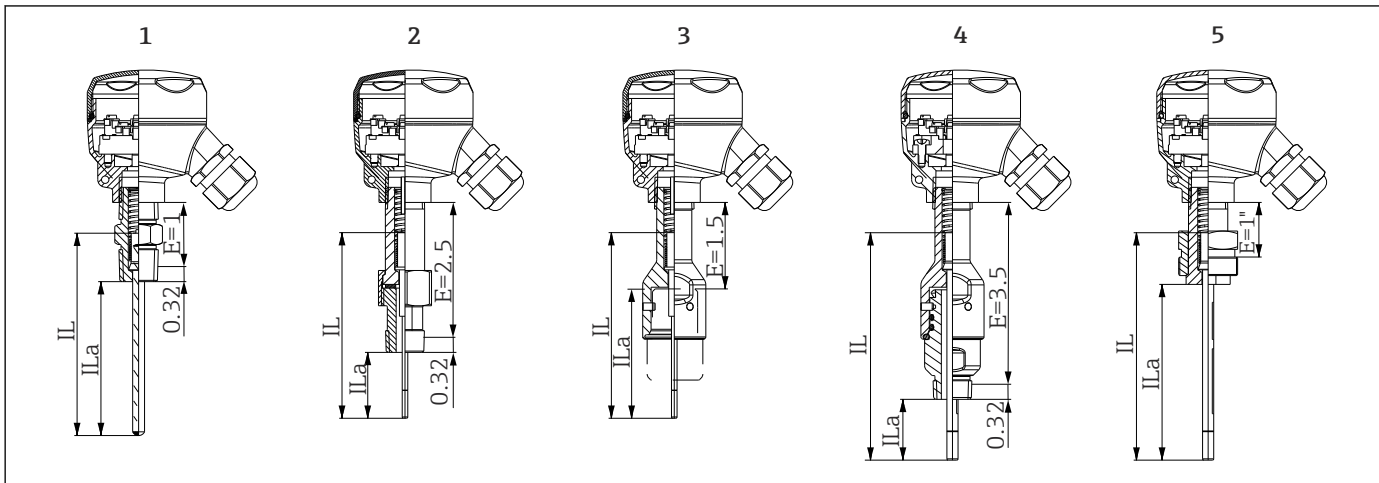
i Various dimensions, such as the immersion length U for example, are variable values and are therefore indicated as items in the following dimensional drawings.

Variable dimensions:

Item	Description
E	Extension neck length, variable depending on the configuration or predefined for the version with iTHERM QuickNeck
ILa	Insertion length
L	Thermowell length (U+T)
B	Thermowell base thickness: predefined, depends on thermowell version (see also the individual table data)
T	Length of thermowell shaft: variable or predefined, depends on thermowell version (see also the individual table data)
U	Immersion length: variable, depending on the configuration
ØID	Insert diameter 6 mm (0.24 in), 3 mm (0.12 in) or 6.35 mm ($\frac{1}{4}$ in)

Without thermowell

For installation in an existing thermowell (all dimensions in in)



A0034489

- 1 Thermometer with extension hex nipple, for connection thread $\frac{1}{2}$ " NPT
 - 2 Thermometer with extension nipple union nipple (NUN), for connection thread $\frac{1}{2}$ " NPT
 - 3 Thermometer with quick-fastening iTHERM QuickNeck, upper part
 - 4 Thermometer with quick-fastening iTHERM QuickNeck complete, for connection thread $\frac{1}{2}$ " NPT
 - 5 Thermometer with $\frac{1}{4}$ " x 18 UNEF thread
- IL Insert length
 ILa Insertion length (insert length below nipple)
 E Length of the extension neck available at point of installation (provided one is available)

i The spring travel of the insert is $\frac{1}{2}$ ".

Pay attention to the following equations when calculating the insert length ILa for immersion into a thermowell TT412 already available:

Version 1, 2, 3, 4 and 5	$ILa = U + T + 38.1 \text{ mm (1.5 in)}^{1)}$
--------------------------	---

- 1) ILa = Insertion length (insert length below nipple); U = Thermowell immersion length; T = Thermowell shaft length

Pay attention to the following equations when calculating for a replaceable insert:

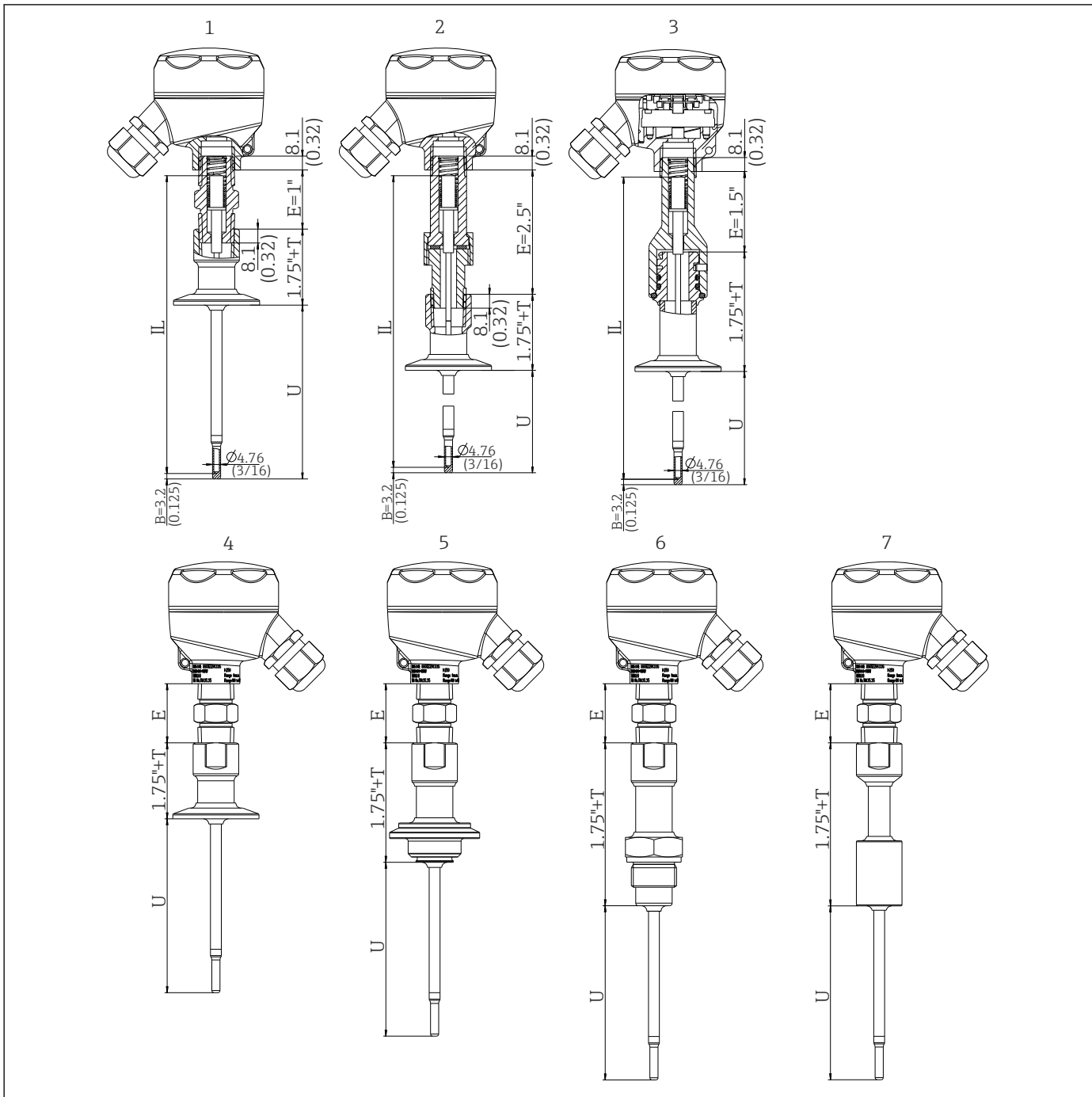
Version 1, 2, 3, 4 and 5	$IL = U + T + E + 38.1 \text{ mm (1.5 in)}^{1)}$
--------------------------	--

- 1) IL = Insert length; U = Thermowell immersion length; T = Thermowell shaft length; E = Length of the extension neck

The iTHERM TS212 insert is available as a spare part. The insert length (IL) depends on the immersion length of the thermowell (U), the length of the extension neck (E) and the length of the thermowell shaft (T). The insertion length (IL) must be taken into consideration when replacing the unit.

This can be calculated by means of the following formula: $IL = U + T + E + 38.1 \text{ mm (1.5 in)}$

With thermowell (1/4", 3/8", 1/2")



A0034495

12 Thermowell with neck connection NPT 1/2" and various process connection versions:

- 1 Thermometer with extension hex nipple and Tri-clamp process connection
 - 2 Thermometer with extension nipple union nipple (NUN) and Tri-clamp process connection
 - 3 Thermometer with quick-fastening iTHERM QuickNeck and Tri-clamp process connection
 - 4 Thermometer with extension hex nipple and Tri-clamp process connection
 - 5 Thermometer with extension hex nipple and Varivent® process connection
 - 6 Thermometer with extension hex nipple and Liquiphant adapter
 - 7 Thermometer with cylindrical weld-in adapter
- IL Insert length
U Thermowell immersion length

- E* Length of the extension neck available at point of installation (provided one is available)
- T* Thermowell shaft length
- B* Base thickness



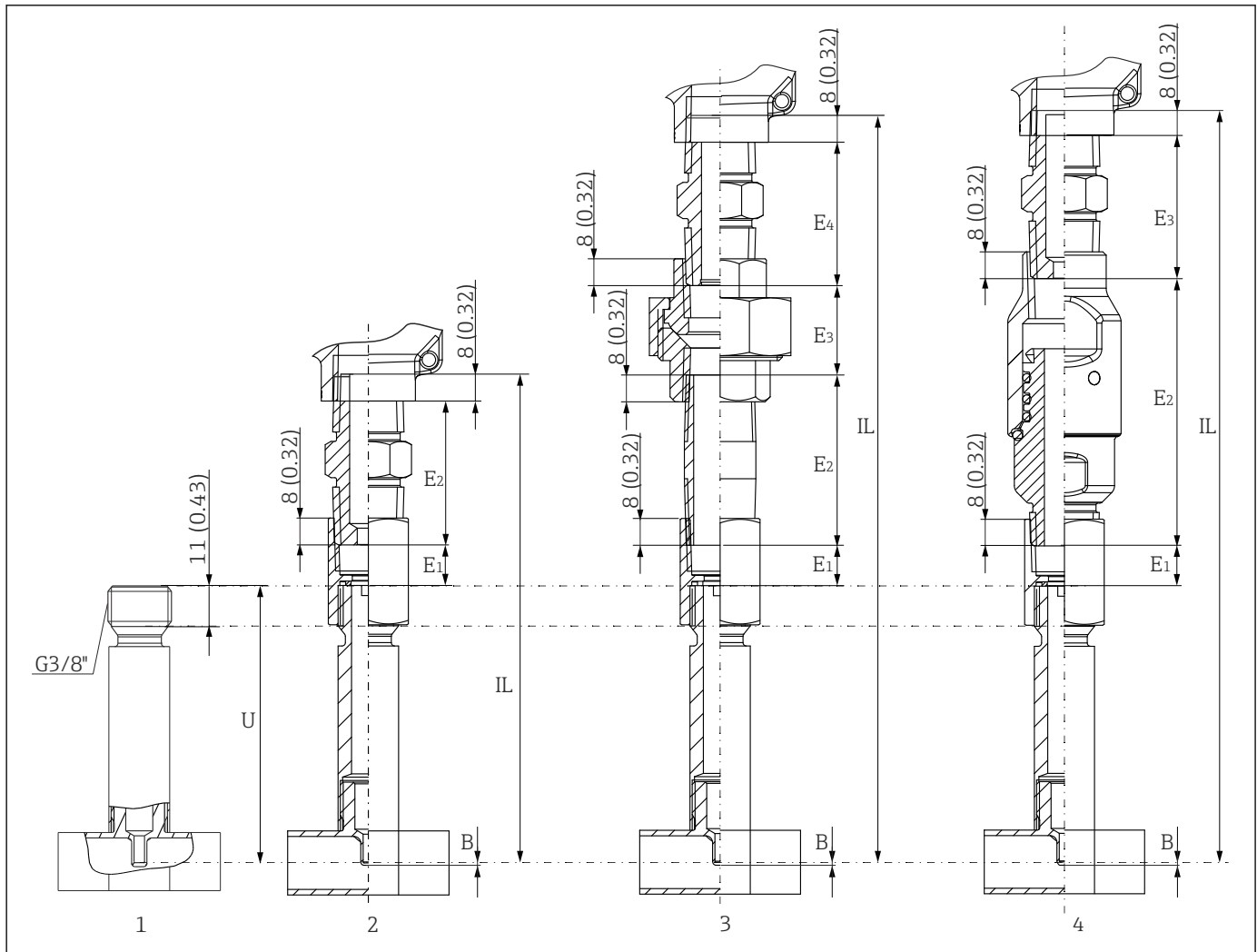
For diameter 1/2" not available: Tri-clamp 3/4"

Item	Version	Length
Length of thermowell shaft T ¹⁾	Version 1, 2, 4: Tri-clamp with NPT	0-6"
	Version 3: Tri-clamp with QuickNeck	1-6"
	Version 5: Varivent® with NPT	1-6"
	Version 5: Varivent® with QuickNeck	1.5-6"
	Version 6: Thread ISO 228 for Liquiphant, with NPT	2-6"
	Version 6: Thread ISO 228 for Liquiphant, with QuickNeck	2-6"
	Version 7: Cylindrical weld-in with NPT	2-6"
	Version 7: Cylindrical weld-in with QuickNeck	2-6"
Immersion length U	Independent of the version	Variable, depending on the configuration
Base thickness B	6.35 mm (1/4 in) Thermowell: Reduced tip $\varnothing 4.76$ mm (3/16 in)	3.2 mm (0.125 in)
	9.53 mm (3/8 in) Thermowell: Reduced tip $\varnothing 4.76$ mm (3/16 in) Straight tip	3.2 mm (0.125 in) 3 mm (0.12 in)
	12.7 mm (1/2 in) Thermowell: Reduced tip $\varnothing 4.76$ mm (3/16 in) Straight tip	3.2 mm (0.125 in) 6.3 mm (0.25 in)
Extension neck length E	Version 1: Thermometer with extension hex nipple and Tri-clamp process connection	E = 25.4 mm (1 in)
	Version 2: Thermometer with extension nipple union nipple (NUN) and Tri-clamp process connection	E = 63.5 mm (2.5 in)
	Version 3: Thermometer with quick-fastening iTHERM QuickNeck and Tri-clamp process connection	E = 38.1 mm (1.5 in)

1) Depends on the process connection

Tee or elbow thermowell, optimized

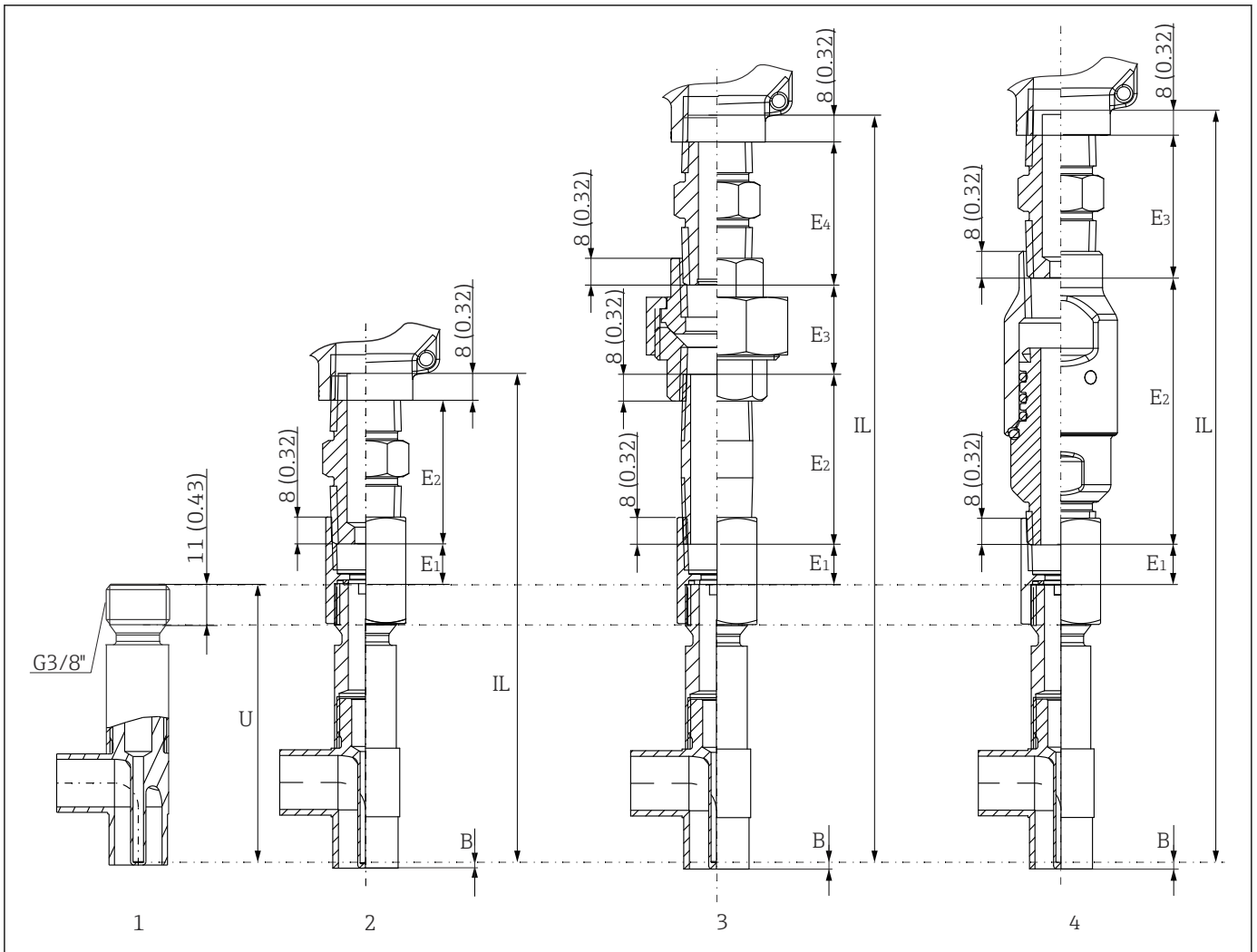
No welds, no dead legs



A0050261

13 Tee thermowell as per DIN 11865 or ASME BPE

- 1 With extension neck connection G3/8"
- 2 With extension hex nipple and connection thread ½" NPT, 5 Nm (3.69 lbf ft)
- 3 With extension nipple union nipple (NUN) and connection thread ½" NPT, 5 Nm (3.69 lbf ft)
- 4 With quick-fastening iTHERM QuickNeck, torque 5 Nm (3.69 lbf ft), and glued with threadlocking adhesive



A0050273


14 Elbow thermowell as per DIN 11865 or ASME BPE

- 1 With extension neck connection G3/8"
- 2 With extension hex nipple and connection thread 1/2" NPT, torque 5 Nm (3.69 lbf ft)
- 3 With extension nipple union nipple (NUN) and connection thread 1/2" NPT, torque 5 Nm (3.69 lbf ft)
- 4 With quick-fastening iTHERM QuickNeck, torque 5 Nm (3.69 lbf ft), and glued with threadlocking adhesive

- Pipe sizes as per DIN 11865 series C (ASME BPE) → 38
- 3-A marked for nominal diameters ≥ DN25
- EHEDG certified for nominal diameters ≥ DN25
- ASME BPE compliance for nominal diameters ≥ DN25
- IP69K protection class
- 1.4435+316L material, delta ferrite content < 0.5%
- Temperature range: -60 to +200 °C (-76 to +392 °F)
- Pressure range: PN25 as per DIN11865
- G3/8" thread for thermowell connection

Item	Version	Length
Extension neck length E	Version 2: Thermometer with extension hex nipple	E1 + E2 = 54.85 mm (2.16 in)
	Version 3: Thermometer with extension nipple union nipple (NUN)	E1 + E2 + E3 + E4 = 132 mm (5.2 in)
	Version 4: Thermometer with iTHERM QuickNeck	E1 + E2 + E3 = 135 mm (5.32 in)

Item	Version	Length
Immersion length U	T thermowell	83 mm (3.27 in)
Base thickness B	T thermowell Elbow thermowell	2 mm (0.079 in) 0.7 mm (0.03 in)

 Due to the short immersion length U in the case of small pipe diameters, the use of iTHERM QuickSens inserts is recommended.

As a general rule, the longer the immersion length U the better the accuracy. For small pipe diameters it is advisable to use elbow thermowells to enable a maximum immersion length U.

The iTHERM TS212 insert is available as a spare part. The insert length (IL) depends on the immersion length of the thermowell (U) and the length of the extension neck (E). The insertion length (IL) must be taken into consideration when replacing the unit.


This can be calculated by means of the following formula: $IL = U + E + 8 \text{ mm (0.32 in)}$


Insert

Depending on the application, iTHERM TS212 inserts with different RTD sensors are available for the thermometer:

Sensor	Standard thin-film		iTHERM StrongSens	iTHERM QuickSens ¹⁾		Wire wound	
	1x Pt100, 3- or 4-wire, PTFE insulated	2x Pt100, 2x3-wire, PTFE insulated		1x Pt100, 3- or 4-wire, mineral insulated	1x Pt100, 3- or 4-wire, mineral insulated	1x Pt100, 3- or 4-wire, PTFE insulated	1x Pt100, 3- or 4-wire, mineral insulated
Vibration resistance of the insert tip	Up to 3g		Enhanced vibration resistance > 60g	> 60g	3g	Up to 3g	
Measuring range; accuracy class	-50 to +200 °C (-58 to +392 °F), Class A or B		-50 to +500 °C (-58 to +932 °F), Class A or AA	-50 to +200 °C (-58 to +392 °F), Class A or AA		-200 to +600 °C (-328 to +1112 °F), Class A or AA	
Diameter	6.35 mm (¼ in)		6 mm (0.24 in)	6 mm (0.24 in)	3 mm (0.12 in)	6.35 mm (¼ in); 3 mm (0.12 in)	

1) Recommended for immersion lengths U < 70 mm (2.75 in)

 For more information on the deployed insert iTHERM TS212 with enhanced vibration resistance and fast-response sensor, see the Technical Information.

 Spare parts currently available for your product can be found online at: http://www.products.endress.com/spareparts_consumables, product root: TM412. Always quote the serial number of the device when ordering spare parts! The insertion length IL is automatically calculated using the serial number.

Weight Depending on the configuration

Material Extension neck and thermowell, insert, process connection.
The temperatures for continuous operation specified in the following table are only intended as reference values for use of the various materials in air and without any significant compressive load.

The maximum operating temperatures can be reduced considerably in cases where abnormal conditions such as high mechanical load occur or in aggressive media.

Designation	Recommended max. temperature for continuous use in air	Properties
AISI 316L	650 °C (1 202 °F) ¹⁾	<ul style="list-style-type: none"> ▪ Austenitic, stainless steel ▪ High corrosion resistance in general ▪ Particularly high corrosion resistance in chlorine-based and acidic, non-oxidizing atmospheres through the addition of molybdenum (e.g. phosphoric and sulfuric acids, acetic and tartaric acids with a low concentration) ▪ Increased resistance to intergranular corrosion and pitting ▪ The wetted part from a 316L thermowell withstand a passivation process with a 3% sulphuric acid ▪ Available with 3-A marked sensors

1) Can be used to a limited extent up to 800 °C (1472 °F) for low compressive loads and in non-corrosive media. Contact your Endress+Hauser sales team for further information.

Surface roughness

Values for wetted surfaces:

Standard surface, mechanically polished ¹⁾	$R_a \leq 0.76 \mu\text{m}$ (30 μin)
Mechanically polished ¹⁾ , buffed ²⁾	$R_a \leq 0.38 \mu\text{m}$ (15 μin)
Mechanically polished ¹⁾ , buffed and electropolished	$R_a \leq 0.38 \mu\text{m}$ (15 μin) + electropolished

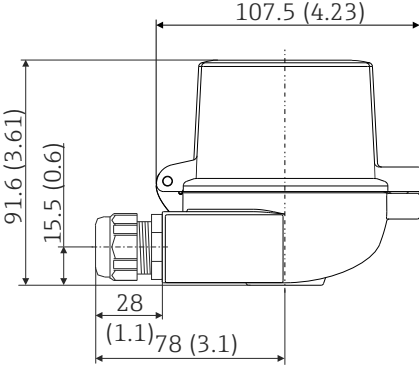
- 1) Or equivalent treatment that guarantees R_a max
- 2) Not compliant with ASME BPE

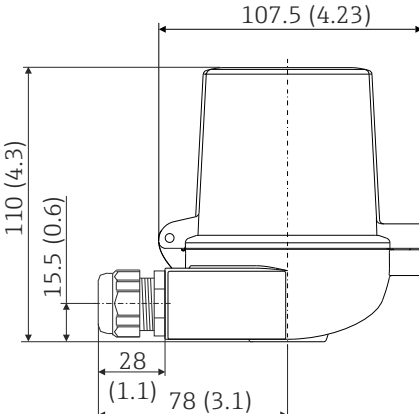
Terminal heads

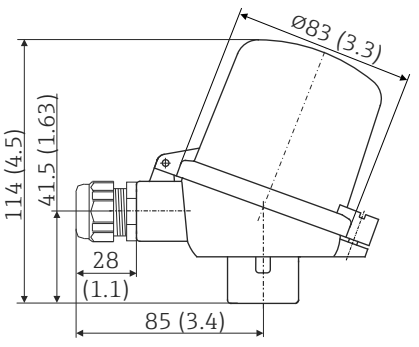
All terminal heads have an internal shape and size in accordance with DIN EN 50446, flat face and a thermometer connection with a 1/2" NPT thread. All dimensions in mm (in). The sample cable glands in the diagrams correspond to M20x1.5 connections with non-Ex polyamide cable glands. Specifications without head transmitter installed. For ambient temperatures with head transmitter installed, see the 'Environment' section. → 24

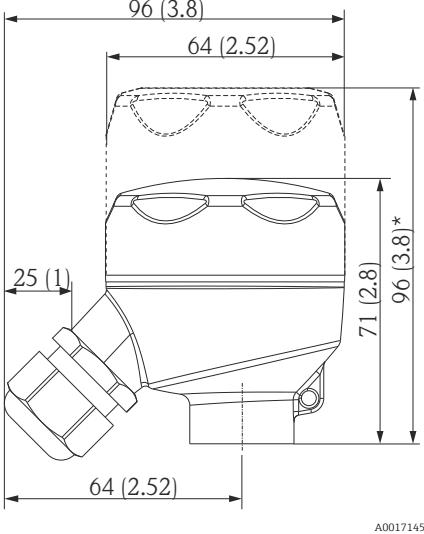
As a special feature, Endress+Hauser offers terminal heads with optimized terminal accessibility for easy installation and maintenance.

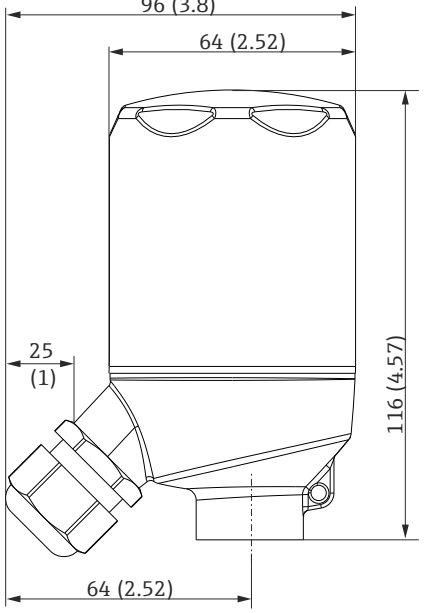
TA30A	Specification
	<ul style="list-style-type: none"> ▪ Protection class: <ul style="list-style-type: none"> ▪ IP66/68 (NEMA Type 4x encl.) ▪ For ATEX: IP66/67 ▪ Temperature: -50 to +150 °C (-58 to +302 °F) without cable gland ▪ Material: aluminum, polyester powder coated Seals: silicone ▪ Threaded cable entry: G 1/2", 1/2" NPT and M20x1.5; ▪ Protection armature connection: 1/2" NPT, M24x1.5 ▪ Head color: blue, RAL 5012 ▪ Cap color: gray, RAL 7035 ▪ Weight: 330 g (11.64 oz) ▪ Ground terminal, internal and external ▪ Available with 3-A marked sensors

TA30A with display window	Specification
 <p style="text-align: right; font-size: small;">A0009821</p>	<ul style="list-style-type: none"> ■ Protection class: <ul style="list-style-type: none"> ■ IP66/68 (NEMA Type 4x incl.) ■ For ATEX: IP66/67 ■ Temperature: -50 to +150 °C (-58 to +302 °F) without cable gland ■ Material: aluminum, polyester powder coated ■ Seals: silicone ■ Threaded cable entry: G ½", ½" NPT and M20x1.5 ■ Protection armature connection: ½" NPT, M24x1.5 ■ Head color: blue, RAL 5012 ■ Cap color: gray, RAL 7035 ■ Weight: 420 g (14.81 oz) ■ With TID10 display ■ Ground terminal, internal and external ■ Available with 3-A marked sensors

TA30D	Specification
 <p style="text-align: right; font-size: small;">A0009822</p>	<ul style="list-style-type: none"> ■ Protection class: <ul style="list-style-type: none"> ■ IP66/68 (NEMA Type 4x incl.) ■ For ATEX: IP66/67 ■ Temperature: -50 to +150 °C (-58 to +302 °F) without cable gland ■ Material: aluminum, polyester powder coated ■ Seals: silicone ■ Threaded cable entry: G ½", ½" NPT and M20x1.5 ■ Protection armature connection: ½" NPT, M24x1.5 ■ Two head transmitters can be mounted. In the standard version, one transmitter is mounted in the terminal head cover and an additional terminal block is installed directly on the insert. ■ Head color: blue, RAL 5012 ■ Cap color: gray, RAL 7035 ■ Weight: 390 g (13.75 oz) ■ Ground terminal, internal and external ■ Available with 3-A marked sensors

TA30P	Specification
 <p style="text-align: right; font-size: small;">A0023477</p>	<ul style="list-style-type: none"> ■ Protection class: IP65 ■ Max. temperature: -40 to +120 °C (-40 to +248 °F) ■ Material: polyamide (PA), antistatic ■ Seals: silicone ■ Threaded cable entry: ½" NPT and M20x1.5 ■ Protection armature connection: M24x1.5 or ½" NPT ■ Two head transmitters can be mounted. In the standard version, one transmitter is mounted in the terminal head cover and an additional terminal block is installed directly on the insert. ■ Head and cap color: black ■ Weight: 135 g (4.8 oz) ■ Types of protection for use in hazardous locations: Intrinsic Safety (G Ex ia) ■ Ground terminal: only internal via auxiliary clamp ■ Not allowed for Class II and III applications ■ Available with 3-A marked sensors

TA30R (optionally with display window in cover)	Specification
 <p data-bbox="507 875 919 925">* Dimensions of version with display window in cover</p>	<ul style="list-style-type: none"> ■ Degree of protection - standard version: IP69K (NEMA Type 4x encl.) ■ Degree of protection - version with display window: IP66/68 (NEMA Type 4x encl.) ■ Temperature: -50 to +130 °C (-58 to +266 °F) without cable gland ■ Material: stainless steel 316L, abrasive-blasted or polished ■ Seals: EPDM ■ Display window: polycarbonate (PC) ■ Cable entry thread ½" NPT and M20x1.5 ■ Weight <ul style="list-style-type: none"> ■ Standard version: 360 g (12.7 oz) ■ Version with display window: 460 g (16.23 oz) ■ Display window in cover optionally for head transmitter with display TID10 ■ Protection armature connection: M24x1.5 or ½" NPT ■ Ground terminal: internal in standard version; external terminal optionally available ■ Available with 3-A marked sensors ■ Not allowed for Class II and III applications

TA30R (high version for two transmitters)	Specification
	<ul style="list-style-type: none"> ■ Degree of protection: IP69K (NEMA Type 4x encl.) ■ Temperature: -50 to +130 °C (-58 to +266 °F) without cable gland ■ Material: stainless steel 316L, abrasive-blasted or polished ■ Seals: EPDM ■ Cable entry thread NPT ½" and M20x1.5 ■ Weight: 460 g (16.23 oz) ■ For two head transmitters ■ Ground terminal: internal as standard ■ Not allowed for Class II and III applications ■ Available with 3-A marked sensors

TA30S	Specification
<p style="text-align: right; font-size: small;">A0017146</p>	<ul style="list-style-type: none"> ■ Degree of protection: IP65 (NEMA Type 4x encl.) ■ Temperature: -40 to +85 °C (-40 to +185 °F) without cable gland ■ Material: polypropylene (PP), FDA-compliant, seals: O-ring EPDM ■ Cable entry thread: 3/4" NPT (with adapter for 1/2" NPT), M20x1.5 ■ Protective assembly connection: 1/2" NPT ■ Color: white ■ Weight: approx. 100 g (3.5 oz) ■ Ground terminal: only internal via auxiliary terminal ■ Not allowed for Class II and III applications ■ Available with 3-A marked sensors

Temperature field transmitter iTEMP TMT162	Specification
<p style="text-align: right; font-size: small;">A0024608</p> <p>* Dimensions without display = 112 mm (4.41 in)</p>	<ul style="list-style-type: none"> ■ Separate electronics compartment and connection compartment ■ Protection class: IP67, NEMA type 4x ■ Material: Die-cast aluminum housing AlSi10Mg with powder coating on polyester base or stainless steel 316L ■ Display rotatable in 90° increments ■ Cable entry: 2x 1/2" NPT ■ Brilliant backlit display with ease of visibility in bright sunshine or pitch darkness ■ Gold plated terminals to avoid corrosion and additional measurement errors ■ SIL certification as per IEC 61508:2010 (HART-protocol) ■ Integrated surge arrester to prevent damage from overvoltage, optional

Cable glands and connectors ¹⁾

Type	Suitable for cable entry	Degree of protection	Temperature range	Suitable cable diameter
Cable gland, polyamide blue (indication of Ex-i circuit)	½" NPT	IP68	-30 to +95 °C (-22 to +203 °F)	7 to 12 mm (0.27 to 0.47 in)
Cable gland, polyamide	½" NPT, ¾" NPT, M20x1.5 (optionally 2x cable entry)	IP68	-40 to +100 °C (-40 to +212 °F)	5 to 9 mm (0.19 to 0.35 in)
	½" NPT, M20x1.5 (optionally 2x cable entry)	IP69K	-20 to +95 °C (-4 to +203 °F)	
Cable gland for dust ignition-proof area, polyamide	½" NPT, M20x1.5	IP68	-20 to +95 °C (-4 to +203 °F)	
Cable gland for dust ignition-proof area, brass	M20x1.5	IP68 (NEMA Type 4x)	-20 to +130 °C (-4 to +266 °F)	
M12 plug, 4-pin, 316 (PROFIBUS® PA, Ethernet-APL, IO-Link®)	½" NPT, M20x1.5	IP67	-40 to +105 °C (-40 to +221 °F)	-
M12 plug, 8-pin, 316	M20x1.5	IP67	-30 to +90 °C (-22 to +194 °F)	-
7/8" plug, 4-pin, 316 (FOUNDATION™ Fieldbus, PROFIBUS® PA)	½" NPT, M20x1.5	IP67	-40 to +105 °C (-40 to +221 °F)	-

1) Depending on product and configuration



For explosion proof thermometers no cable glands are assembled.

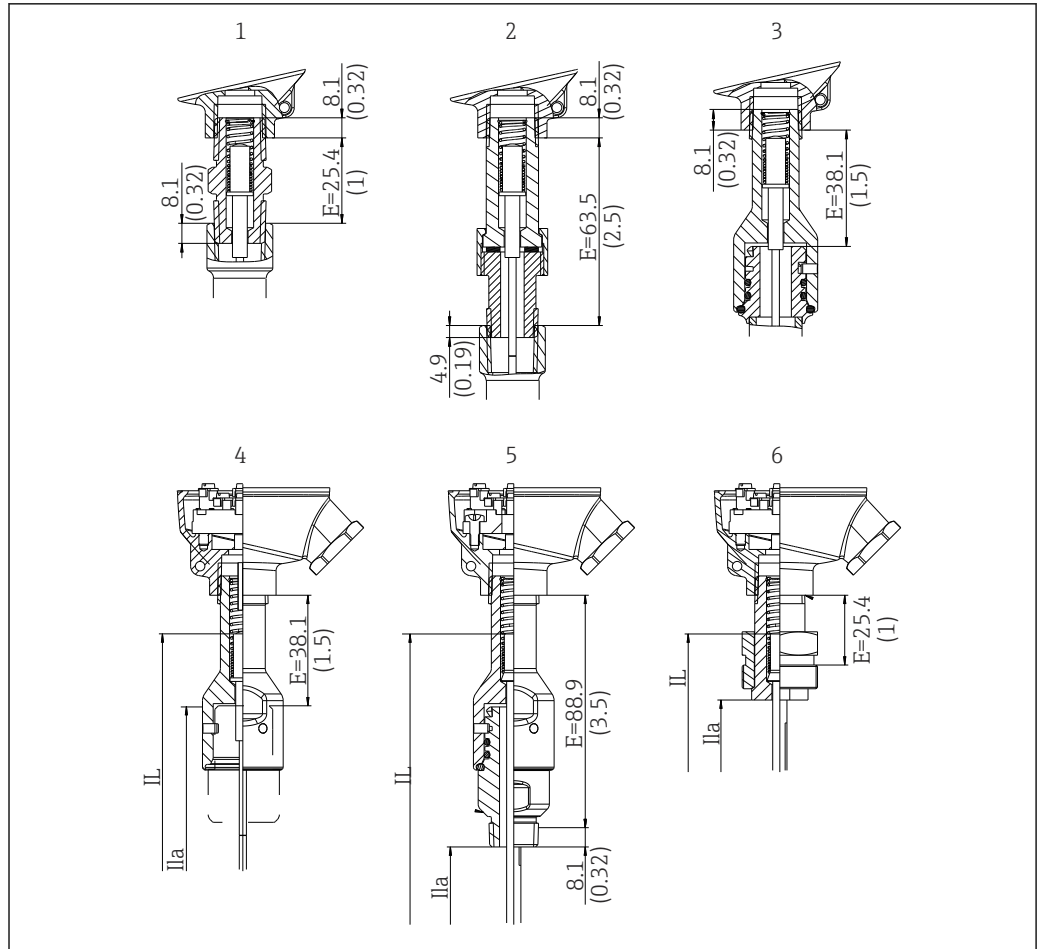
Extension neck

Standard version of extension neck, or optionally with the quick-fastening iTHERM QuickNeck.

- iTHERM QuickNeck - tool-free removal of the insert:
 - Saves time/costs on frequently calibrated measuring points
 - Wiring mistakes avoided
- IP69K protection: safety under extreme process conditions



Connection between thermometer and thermowell must be installed with PTFE thread tape on all connections to achieve the IP69K rating.



A0034508

15 Dimensions of extension neck, different versions, each with 1/2" NPT thread to the terminal head

- 1 Extension hex nipple
- 2 Extension nipple union nipple (NUN)
- 3 Quick-fastening iTHERM QuickNeck
- 4 Quick-fastening iTHERM QuickNeck - upper part, for installation in an existing thermowell with iTHERM QuickNeck
- 5 Quick-fastening iTHERM QuickNeck complete, for mounting in existing thermowell with 1/2" NPT connection
- 6 1 1/4" x 18 UNEF thread, for mounting in existing thermowell
- IL Insert length
- ILa Insertion length (insert length below nipple)
- E Length of the extension neck available at point of installation (provided one is available)

Process connections

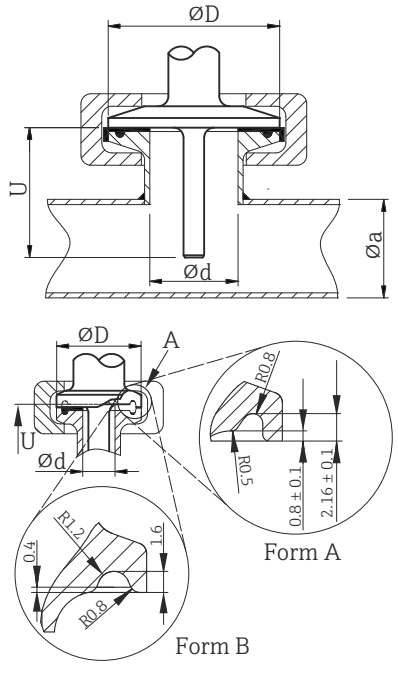
All dimensions in mm (in).

For welding in

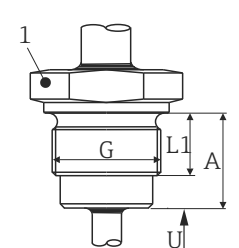
Type	Version	Dimensions	Technical properties
	Cylindrical 1/2" NPS	Ød = 1/2" NPS, h = 38.1 mm (1.5 in), U = immersion length from lower edge, T = min. 50.8 mm (2 in)	<ul style="list-style-type: none"> ■ P_{max.} depends on the weld-in process ■ With 3-A symbol and EHEDG certification ■ ASME BPE compliance
	Cylindrical 3/4" NPS	Ød = 3/4" NPS, h = 38.1 mm (1.5 in), U = immersion length from lower edge, T = min. 50.8 mm (2 in)	
	Cylindrical 1" NPS	Ød = 1" NPS, h = 38.1 mm (1.5 in), U = immersion length from lower edge, T = min. 50.8 mm (2 in)	

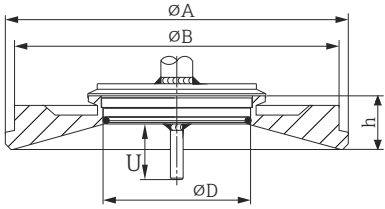
A0033743

Releasable process connection

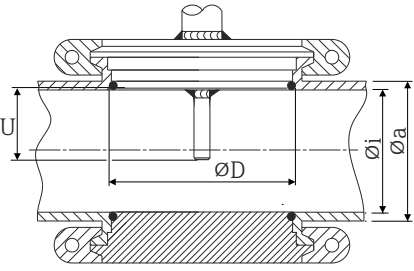
Type	Version	Dimensions		Technical properties	Conformity
	$\varnothing d$: ¹⁾	$\varnothing D$	$\varnothing a$		
 <p>Form A: In compliance with ASME BPE Type A Form B: In compliance with ASME BPE Type B and ISO 2852</p>	Tri-clamp ¾" (DN18), Form A ²⁾	25 mm (0.98 in)	-	<ul style="list-style-type: none"> ▪ P_{max.} = 16 bar (232 psi), depends on clamp ring and suitable seal ▪ 3-A marked 	ASME BPE type A
	Clamp ISO 2852 ½" (DN12 - 21.3) Form B	34 mm (1.34 in)	16 to 25.3 mm (0.63 to 0.99 in)		ISO 2852
	Tri-clamp 1" - 1½" (DN25 - 38) Form B	50.5 mm (1.99 in)	29 to 42.4 mm (1.14 to 1.67 in)	<ul style="list-style-type: none"> ▪ P_{max.} = 16 bar (232 psi), depends on clamp ring and suitable seal ▪ 3-A marked and EHEDG certified (combined with Combifit seal) ▪ Can be used with 'Novaseptic Connect (NA Connect)' which enables flush-mount installation 	ASME BPE type B
	Tri-clamp 2" (DN40 - 51) Form B	64 mm (2.52 in)	44.8 to 55.8 mm (1.76 to 2.2 in)		
	Tri-clamp 2½" (DN63.5) Form B	77.5 mm (3.05 in)	68.9 to 75.8 mm (2.71 to 2.98 in)		
	Tri-clamp 3" (DN70-76.5) Form B	91 mm (3.58 in)	> 75.8 mm (2.98 in)		

- 1) Pipes in accordance with ISO 2037 and BS 4825 Part 1
- 2) Tri-clamp ¾" only possible with thermowell diameter 6.35 mm (¼ in) or 9.53 mm (⅜ in)

Type	Version G	Dimensions			Technical properties
		L1 thread length	A	1 (SW/AF)	
<p>Thread according to ISO 228 (for Liquiphant weld-in adapter)</p> 	G¾" for FTL20 adapter	16 mm (0.63 in)	25.5 mm (1 in)	32	<ul style="list-style-type: none"> ▪ P_{max.} = 25 bar (362 psi) at max. 150 °C (302 °F) ▪ P_{max.} = 40 bar (580 psi) at max. 100 °C (212 °F) ▪ In connection with FTL31/33/50 adapter, see TI00426F for details about 3-A conformity and EHEDG tested O-ring ▪ Minimum extension neck lengths: ≥ 76.2 mm (3 in)
	G¾" for FTL50 adapter				
	G1" for FTL50 adapter	18.6 mm (0.73 in)	29.5 mm (1.16 in)	41	

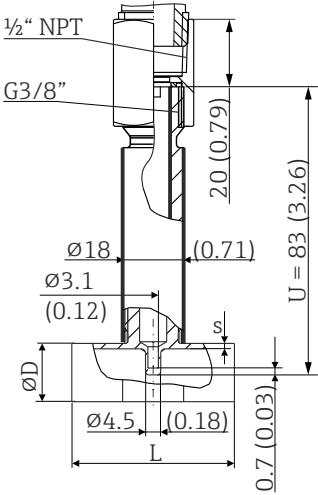
Type	Version	Dimensions				Technical properties	
		ØD	ØA	ØB	h	P _{max.}	
Varivent® 	Type B	31 mm (1.22 in)	105 mm (4.13 in)	-	22 mm (0.87 in)	10 bar (145 psi)	<ul style="list-style-type: none"> 3-A marked and EHEDG certified ASME BPE compliance
	Type F	50 mm (1.97 in)	145 mm (5.71 in)	135 mm (5.31 in)	24 mm (0.95 in)		
	Type N	68 mm (2.67 in)	165 mm (6.5 in)	155 mm (6.1 in)	24.5 mm (0.96 in)		

i The VARINLINE® housing connection flange is suitable for weld-in into the conical or torispherical head in tanks or containers with a small diameter (≤ 1.6 m (5.25 ft)) and up to a wall thickness of 8 mm (0.31 in).

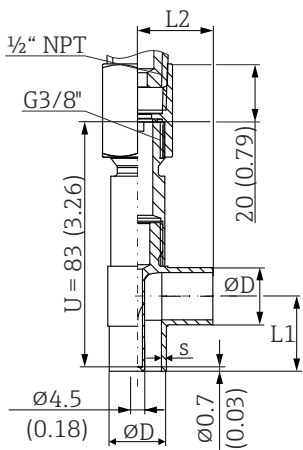
Type	Technical properties
Varivent® for VARINLINE® housing for installation in pipes 	<ul style="list-style-type: none"> 3-A marked and EHEDG certified ASME BPE compliance

Version	Dimensions			P _{max.}
	ØD	Øi	Øa	
Type N, according to DIN 11866, series C	68 mm (2.67 in)	OD 1½": 34.9 mm (1.37 in)	OD 1½": 38.1 mm (1.5 in)	OD 1½" to OD 2½": 16 bar (232 psi)
		OD 2": 47.2 mm (1.86 in)	OD 2": 50.8 mm (2 in)	
		OD 2½": 60.2 mm (2.37 in)	OD 2½": 63.5 mm (2.5 in)	
Type N, according to DIN 11866, series C	68 mm (2.67 in)	OD 3": 73 mm (2.87 in)	OD 3": 76.2 mm (3 in)	OD 3" to OD 4": 10 bar (145 psi)
		OD 4": 97.6 mm (3.84 in)	OD 4": 101.6 mm (4 in)	
Type F, according to DIN 11866, series C	50 mm (1.97 in)	OD 1": 22.2 mm (0.87 in)	OD 1": 25.4 mm (1 in)	16 bar (232 psi)


i Due to the small immersion length U, the use of iTHERM QuickSens inserts is recommended.

Type	Version		Dimensions in mm (in)			Technical properties
			ØD	L	s ¹⁾	
Tee thermowell for weld-in as per DIN 11865 (Part C) 	Part C ²⁾	DN12.7 PN25 (½")	12.7 mm (0.5 in)	48 mm (1.89 in)	1.65 mm (0.065 in)	<ul style="list-style-type: none"> ■ P_{max.} = 25 bar (362 psi) ■ R_a ≤ 0.38 µm (15 µin)+ electropolished³⁾
		DN19.05 PN25 (¾")	19.05 mm (0.75 in)			
		DN25.4 PN25 (1")	19.05 mm (0.75 in)			
		DN38.1 PN25 (1½")	38.1 mm (1.5 in)			

- 1) Wall thickness
- 2) Dimensions as per ASME BPE
- 3) Exception: internal welded seams

Type	Version		Dimensions				Technical properties
			ØD	L1	L2	s ¹⁾	
Elbow thermowell for weld-in as per DIN 11865 (Part C) 	Part C	DN12.7 PN25 (½") ²⁾	12.7 mm (0.5 in)	22 mm (0.87 in)	24 mm (0.94 in)	1.65 mm (0.065 in)	<ul style="list-style-type: none"> ■ P_{max.} = 25 bar (362 psi) ■ R_a ≤ 0.38 µm (15 µin)+ electropolished³⁾
		DN19.05 PN25 (¾")	19.05 mm (0.75 in)	25 mm (0.98 in)			
		DN25.4 PN25 (1")	19.05 mm (0.75 in)	28 mm (1.1 in)			
		DN38.1 PN25 (1½")	38.1 mm (1.5 in)	35 mm (1.38 in)			

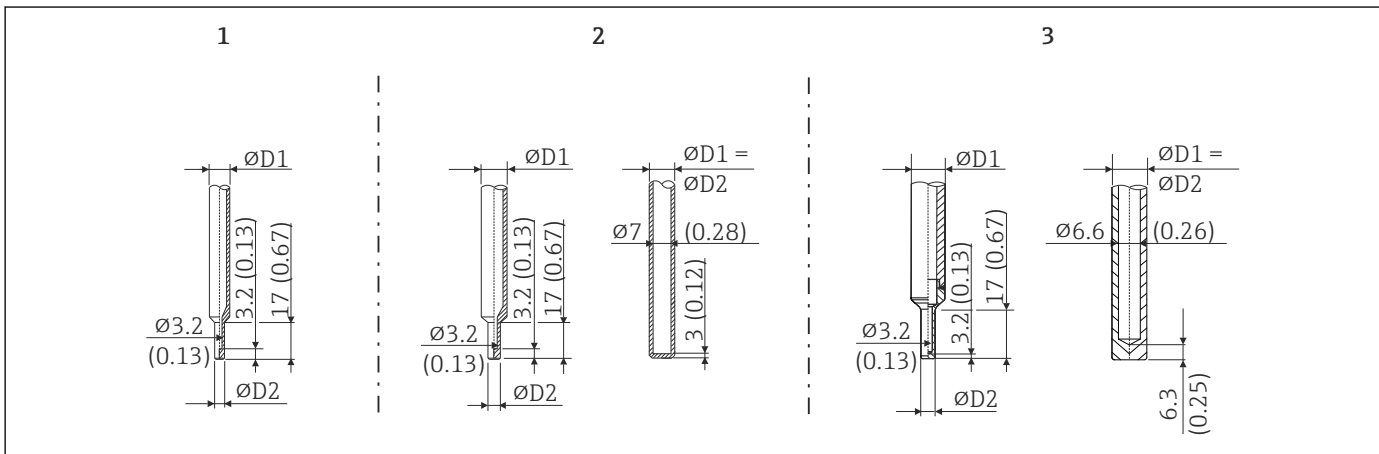
- 1) Wall thickness
- 2) Dimensions as per ASME BPE
- 3) Exception: internal welded seams

 Due to the small immersion length U, the use of iTHERM QuickSens inserts is recommended.

Tip shape

The thermal response time, the reduction of the flow cross-section and the mechanical load that occurs in the process are the criteria that matter when selecting the shape of the tip. Advantages of using reduced thermometer tips:

- A smaller tip shape has less impact on the flow characteristics of the pipe carrying the medium.
- The flow characteristics are optimized, thereby increasing the stability of the thermowell.
- Endress+Hauser offers users a range of thermowell tips to meet every requirement:
 - Straight tip
 - Reduced tip with $\phi 4.76$ mm ($\frac{3}{16}$ in): walls of lower thickness significantly reduce the response times of the overall measuring point
 - Reduced tip for Tee and Elbow thermowell with $\phi 4.5$ mm (0.18 in)



A0033991

16 Thermowell tips available (reduced or straight)



Item No.	Thermowell ($\phi D1$)	Tip ($\phi D2$)	Insert (ϕID)
1	$\phi 6.35$ mm ($\frac{1}{4}$ in)	Reduced tip with $\phi 4.76$ mm ($\frac{3}{16}$ in)	$\phi 3$ mm (0.12 in)
2	$\phi 9.53$ mm ($\frac{3}{8}$ in)	<ul style="list-style-type: none"> ■ Reduced tip with $\phi 4.76$ mm ($\frac{3}{16}$ in) ■ Straight tip 	<ul style="list-style-type: none"> ■ $\phi 3$ mm (0.12 in) ■ $\phi 6.35$ mm ($\frac{1}{4}$ in) or 6 mm (0.24 in)
3	$\phi 12.7$ mm ($\frac{1}{2}$ in)	<ul style="list-style-type: none"> ■ Reduced tip with $\phi 4.76$ mm ($\frac{3}{16}$ in) ■ Straight tip 	<ul style="list-style-type: none"> ■ $\phi 3$ mm (0.12 in) ■ $\phi 6.35$ mm ($\frac{1}{4}$ in) or 6 mm (0.24 in)

i It is possible to check the mechanical loading capacity as a function of the installation and process conditions online in the TW Sizing Module for thermowells in the Endress+Hauser Applicator software. See 'Accessories' section. → 45

Certificates and approvals

Current certificates and approvals for the product are available at www.endress.com on the relevant product page:

1. Select the product using the filters and search field.
2. Open the product page.
3. Select **Downloads**.

Hygiene standard	<ul style="list-style-type: none">■ ASME BPE (latest revision), Certificate of Conformance can be ordered for designated options■ 3-A Certificate Authorization number 1144, 3-A Sanitary Standard 74-07. Listed process connections. →  38■ EHEDG Certificate, Type EL CLASS I. EHEDG certified/tested process connections. →  38■ FDA-compliant■ All process contact parts comply with the requirements of guidance EMA/410/01 Rev.3. Furthermore, no grinding and polishing agents of animal origin have been used during the entire production of the process contact parts
Materials in contact with food/product (FCM)	<p>The process contact parts (FCM) are in conformity with the following European Regulations:</p> <ul style="list-style-type: none">■ Regulation (EC) No 1935/2004, on materials and articles intended to come into contact with food, article 3, paragraph 1, article 5 and 17.■ Regulation (EC) No 2023/2006 on good manufacturing practice for materials and articles intended to come into contact with food.■ Regulation (EU) No 10/2011 on plastic materials and articles intended to come into contact with food.
Material resistance	<p>Material resistance - including resistance of housing - to the following Ecolab cleaning/disinfection agents:</p> <ul style="list-style-type: none">■ P3-topax 66■ P3-topactive 200■ P3-topactive 500■ P3-topactive OKTO■ And demineralized water
CRN approval	<p>The CRN approval is only available for certain thermowell versions. These versions are identified and displayed accordingly during the configuration of the device.</p> <p>Detailed ordering information is available for your nearest sales organization www.addresses.endress.com or in the Download Area under www.endress.com :</p> <ol style="list-style-type: none">1. Select the country2. Select Downloads3. In the search area: select Approvals/approval type4. Enter the product code or device5. Start the search
Surface purity	Free from oil and grease, optional
Thermowell testing and load capacity calculation	<ul style="list-style-type: none">■ Thermowell pressure tests are carried out in accordance with the specifications in DIN 43772. With regard to thermowells with reduced tip that do not comply with this standard, these are tested using the pressure of corresponding straight thermowells. Tests according to other specifications can be carried out on request. The liquid penetration test verifies that there are no cracks in the welded seams of the thermowell.■ PMI test, dye penetration test, TW welding, internal hydrostatic pressure, etc. each with inspection certificate■ Load capacity calculation for the thermowell as per DIN43772

Ordering information

Detailed ordering information is available from your nearest sales organization www.addresses.endress.com or in the Product Configurator at www.endress.com:

1. Select the product using the filters and search field.
2. Open the product page.

3. Select Configuration.



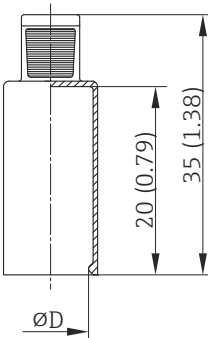
Product Configurator - the tool for individual product configuration

- Up-to-the-minute configuration data
- Depending on the device: Direct input of measuring point-specific information such as measuring range or operating language
- Automatic verification of exclusion criteria
- Automatic creation of the order code and its breakdown in PDF or Excel output format
- Ability to order directly in the Endress+Hauser Online Shop


Accessories

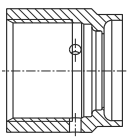
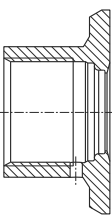
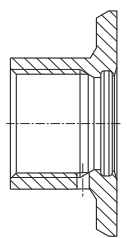
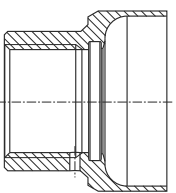
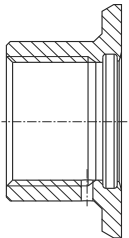
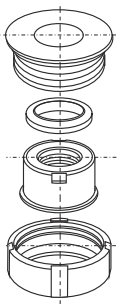
Various accessories, which can be ordered with the device or subsequently from Endress+Hauser, are available for the device. Detailed information on the order code in question is available from your local Endress+Hauser sales center or on the product page of the Endress+Hauser website: www.endress.com.


Device-specific accessories

<p>Flexible handle cap to cover the QuickNeck bottom part</p>  <p style="text-align: center;">A0027201</p>	<p>Diameter ØD: 24 to 26 mm (0.94 to 1.02 in) Material: Thermoplastic polyolefin - elastomer (TPE), free from plasticizers Maximum temperature: +150 °C (+302 °F) Order number: 71275424</p>
---	--

Weld-in adapter


 For more information about order codes and hygienic compliance of the adapters and spare parts, see Technical Information (TI00426F).


Weld-in adapter						
	A0008246	A0008251	A0008256	A0011924	A0008248	A0008253
	G 3/4", d=29 for pipe-mounting	G 3/4", d=50 for vessel-mounting	G 3/4", d=55 with flange	G 1", d=53 without flange	G 1", d=60 with flange	G 1" adjustable
Material	316L (1.4435)	316L (1.4435)	316L (1.4435)	316L (1.4435)	316L (1.4435)	316L (1.4435)
Roughness µm (µin) process side	≤1.5 (59.1)	≤0.8 (31.5)	≤0.8 (31.5)	≤0.8 (31.5)	≤0.8 (31.5)	≤0.8 (31.5)

 Maximum process pressure for the weld-in adapters:



- 25 bar (362 PSI) at maximum 150 °C (302 °F)
- 40 bar (580 PSI) at maximum 100 °C (212 °F)

Communication-specific accessories



Configuration kit TXU10	Configuration kit for PC-programmable transmitter with setup software and interface cable for PC with USB port Order code: TXU10-xx
Commbobox FXA195 HART	For intrinsically safe HART communication with FieldCare via the USB interface.  For details, see Technical Information TI00404F

Wireless HART adapter SWA70	<p>Is used for the wireless connection of field devices.</p> <p>The WirelessHART adapter can be easily integrated into field devices and existing infrastructures, offers data protection and transmission safety and can be operated in parallel with other wireless networks with minimum cabling complexity.</p> <p> For details, see Operating Instructions BA00061S</p>
-----------------------------	---

Service-specific accessories


Accessories	Description
Applicator	<p>Software for selecting and sizing Endress+Hauser devices:</p> <ul style="list-style-type: none"> ■ Calculation of all the necessary data for identifying the optimum device: e.g. pressure loss, accuracy or process connections. ■ Graphic illustration of the calculation results <p>Administration, documentation and access to all project-related data and parameters over the entire life cycle of a project.</p> <p>Applicator is available: Via the Internet: https://portal.endress.com/webapp/applicator</p>
Configurator	<p>Product Configurator - the tool for individual product configuration</p> <ul style="list-style-type: none"> ■ Up-to-the-minute configuration data ■ Depending on the device: direct input of information specific to the measuring point, such as the measuring range or operating language ■ Automatic verification of exclusion criteria ■ Automatic creation of the order code and its breakdown in PDF or Excel output format ■ Ability to order directly in the Endress+Hauser Online Shop <p>The Product Configurator is available on the Endress+Hauser website: www.endress.com -> Select your country -> Click "Products" -> Select the product using the filters and search field -> Open product page -> The "Configure" button to the right of the product image opens the Product Configurator.</p>
FieldCare SFE500	<p>FDT-based plant asset management tool from Endress+Hauser.</p> <p>It can configure all smart field units in your system and helps you manage them. By using the status information, it is also a simple but effective way of checking their status and condition.</p> <p> For details, see Operating Instructions BA00027S and BA00065S</p>
DeviceCare SFE100	<p>Configuration tool for devices via fieldbus protocols and Endress+Hauser service protocols.</p> <p>DeviceCare is the tool developed by Endress+Hauser for the configuration of Endress+Hauser devices. All smart devices in a plant can be configured via a point-to-point or point-to-bus connection. The user-friendly menus enable transparent and intuitive access to the field devices.</p> <p> For details, see Operating Instructions BA00027S</p>

System components

Accessories	Description
RIA15 process indicator	<p>It is integrated in the 4 to 20 mA or HART® loop and transmits the measuring signal or HART® process variables in digital form. The process display unit does not require an external power supply. It is powered directly from the current loop.</p> <p> For details, see the "Technical Information" document TI01043K</p>
Memograph M, RSG45	<p>Advanced Data Manager with tamper-proof data storage and access (FDA 21 CFR 11) HART® gateway functionality; Up to 40 HART® devices connected at a time Communication capabilities: Modbus, Profibus DP, PROFINET, EtherNet/IP.</p> <p> For details, see the "Technical Information" document TI01180R</p>

Documentation

The following types of documentation are available on the product pages and in the Download Area of the Endress+Hauser website (www.endress.com/downloads) (depending on the selected device version):

Document	Purpose and content of the document
Technical Information (TI)	Planning aid for your device The document contains all the technical data on the device and provides an overview of the accessories and other products that can be ordered for the device.
Brief Operating Instructions (KA)	Guide that takes you quickly to the 1st measured value The Brief Operating Instructions contain all the essential information from incoming acceptance to initial commissioning.
Operating Instructions (BA)	Your reference document These Operating Instructions contain all the information that is required in the various life cycle phases of the device: from product identification, incoming acceptance and storage, to mounting, connection, operation and commissioning, through to troubleshooting, maintenance and disposal.
Description of Device Parameters (GP)	Reference for your parameters The document provides a detailed explanation of each individual parameter. The description is aimed at those who work with the device over the entire life cycle and perform specific configurations.
Safety instructions (XA)	Safety Instructions (XA) are supplied with the device, depending on the approval. These are an integral part of the Operating Instructions.  The nameplate indicates which Safety Instructions (XA) apply to the device.
Supplementary device-dependent documentation (SD/FY)	Always comply strictly with the instructions in the relevant supplementary documentation. The supplementary documentation is an integral part of the device documentation.



www.addresses.endress.com
