

# Installation Instructions

## Replacing transmitter, user interface board

Promag, Promass 300, 500, 500-digital





# Replacement of transmitter, user interface board

Promag, Promass 300, 500, 500-digital

## Table of contents

1	Overview of spare part sets .....	4
2	Intended use .....	5
3	Personnel authorized to carry out repairs .....	5
4	Safety instructions .....	6
5	Symbols .....	7
6	Tools list .....	8
7	Preparatory steps for Promag, Promass 300, 500 .....	8
8	Promag, Promass 300 .....	9
9	Promag, Promass 500 .....	16
10	Flashing the firmware .....	18
11	Preparatory steps for Promag, Promass .....	20
12	Promag, Promass 500–digital .....	21
13	Flashing the firmware .....	28
14	Disposal .....	29

# 1 Overview of spare part sets

The Installation Instructions apply to the following spare part sets:


Order structure		Device component
<b>Promag 300</b>		
XPD0032-	HT	1 × transmitter housing, 1 × user interface board, cable entries, cover, nameplate, terminals, Promag 300
	HO	1 × transmitter housing, cable entries, cover, nameplate, Promag 300
	TO	1 × user interface board, terminals, Promag 300
<b>Promass 300</b>		
XPD0033-	HT	1 × transmitter housing, 1 × user interface board, cable entries, cover, nameplate, terminals, Promass 300
	HO	1 × transmitter housing, cable entries, cover, nameplate, Promass 300
	TO	1 × user interface board, terminals, Promass 300
<b>Promag 500</b>		
XPD0034-	HT	1 × transmitter housing, 1 × user interface board, cable entries, cover, nameplate, terminals, Promag 500
	HO	1 × transmitter housing, cable entries, cover, nameplate, Promag 500
	TO	1 × user interface board, terminals, Promag 500
<b>Promass 500</b>		
XPD0035-	HT	1 × transmitter housing, 1 × user interface board, cable entries, cover, nameplate, terminals, Promass 500
	HO	1 × transmitter housing, cable entries, cover, nameplate, Promass 500
	TO	1 × user interface board, terminals, Promass 500

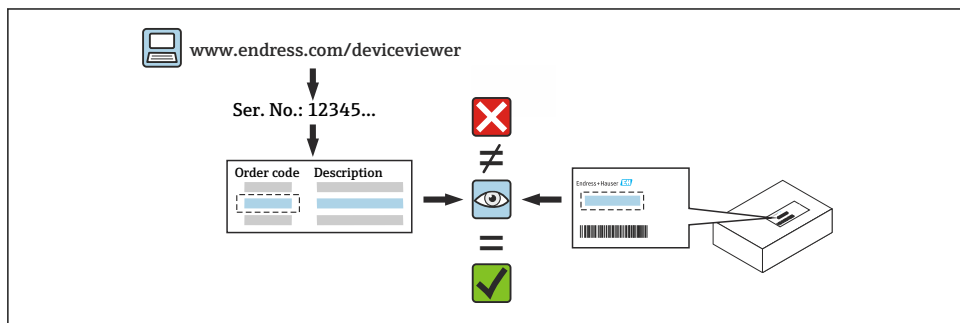


- The order number of the spare part set (on the product label on the package) can differ from the production number (on the label directly on the spare part)!
- You can find the order number of the relevant spare part set by entering the production number of the spare part in the spare part search tool.
- We recommend that you keep the Installation Instructions and packaging together at all times.

## 2 Intended use


- A defective unit can only be replaced with a functioning unit of the same type.
- Use only original parts from Endress+Hauser.
- In the W@M Device Viewer, check if the spare part is suitable for the existing device.

 In some devices, an overview of spare parts is provided inside the device. If the spare part set is listed in the overview, it is not necessary to check the Device Viewer.



## 3 Personnel authorized to carry out repairs

Authorization to carry out repairs depends on the measuring device's approval type. The table below shows the authorized group of people in each case.

 Whoever carries out the repairs has full responsibility to ensure that work is carried out safely and to the required quality standard. He/she must also guarantee the safety of the device following repair.

Measuring instrument approval	Personnel authorized to perform repairs <sup>1)</sup>
Without approval	2, 3
With approval (e.g. IECEx)	2, 3
For custody transfer	4

- 1) 1 = Qualified specialist on customer side, 2 = Service technician authorized by Endress+Hauser ,  
 3 = Endress+Hauser (return measuring instrument to manufacturer)  
 4 = Check with local approval center if installation/modification must be performed under supervision.

## 4 Safety instructions

- Check whether the spare part matches the identification labeling on the measuring device, as described on the cover page.
- The spare part set and the Installation Instructions are used to replace a defective unit with a functioning unit of the same type.  
Only use original parts from Endress+Hauser.
- Comply with national regulations regarding mounting, electrical installation, commissioning, maintenance and repair.
- The following requirements must be met with regard to specialized technical staff for the mounting, electrical installation, commissioning, maintenance and repair of the measuring devices:
  - Specialized technical staff must be trained in instrument safety.
  - They must be familiar with the individual operating conditions of the devices.
  - In the case of Ex-certified measuring devices, they must also be trained in explosion protection.
- The measuring device is energized! Risk of fatal injury from electric shock. Open the measuring device only when the device is de-energized.
- For measuring devices intended for use in hazardous locations, please observe the guidelines in the Ex documentation (XA).
- For measuring devices in safety-related applications in accordance with IEC 61508 or IEC 61511: following repair, re-commission the device in accordance with the Operating Instructions. Document the repair.
- Before removing the device: set the process to a safe state and purge the pipe of dangerous process substances.
- Danger of burns due to heated surfaces! Before commencing work: allow the system and measuring device to cool down to a touchable temperature.
- In the case of devices in custody transfer, the custody transfer status no longer applies once the seal has been removed.
- The Operating Instructions for the device must be followed.
- Risk of damaging the electronic components! Ensure you have a working environment protected from electrostatic discharge.
- After removing the electronics compartment cover: risk of electrical shock due to missing touch protection!  
Turn the measuring device off before removing internal covers.
- Modifications to the measuring device are not permitted.
- Only open the housing for a brief period. Avoid foreign objects, moisture or dirt entering the housing.
- Replace defective seals only with original seals from Endress+Hauser.
- If threads are defective the measuring device must be repaired.
- Threads (e.g. of the electronics compartment cover and connection compartment cover) must be lubricated if an abrasion-proof dry lubricant is not available. Use acid-free, non-hardening lubricant.

- If, during repair work, spacing is reduced or the dielectric strength of the measuring device cannot be guaranteed, perform a test on completion of the work (e.g. high-voltage test in accordance with the manufacturer's instructions).
- Service plug:
  - Do not connect in potentially explosive atmospheres.
  - Only connect to Endress+Hauser service devices.
- Observe the instructions for transporting and returning the device outlined in the Operating Instructions.



Contact Endress+Hauser Service if you have questions: [www.addresses.endress.com](http://www.addresses.endress.com)

## 5 Symbols

### 5.1 Safety symbols



This symbol alerts you to a dangerous situation. Failure to avoid this situation will result in serious or fatal injury.



This symbol alerts you to a potentially dangerous situation. Failure to avoid this situation can result in serious or fatal injury.



This symbol alerts you to a potentially dangerous situation. Failure to avoid this situation can result in minor or medium injury.

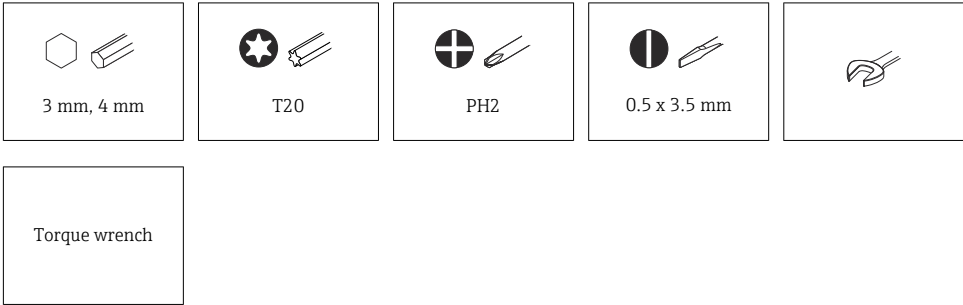


This symbol alerts you to a potentially harmful situation. Failure to avoid this situation can result in damage to the product or something in its vicinity.

### 5.2 Symbols for certain types of information

Symbol	Meaning
	<b>Permitted</b> Procedures, processes or actions that are permitted.
	<b>Forbidden</b> Procedures, processes or actions that are forbidden.
	<b>Tip</b> Indicates additional information.
<b>1.</b> , <b>2.</b> , <b>3.</b> ...	Series of steps

## 6 Tools list



## 7 Preparatory steps for Promag, Promass 300, 500

### NOTICE

Pay attention to the following points before replacing the user interface board or the transmitter with user interface board:

- SIL approval, current device configuration, software version, DIP switch

### SIL approval

If SIL approval is available for the measuring device and the customer's consent has been obtained, stop operation of the measuring device.



For detailed information on how to stop SIL operation, see the special documentation for the device.

### External backup of current device configuration

The current device configuration can be backed up externally.



Detailed information on backing up the current device configuration externally:

Step 1: "Configuration management" section of Operating Instructions for the device.

Step 2: "Manual data transmission" paragraph in "Operability" section of Operating Instructions for the device.

### Existing software version

The existing software version must be determined and noted down.



Check the existing software version: See "Device information" section of Operating Instructions for the device.

### DIP switch

Switch off the DIP switch.



DIP switch on/off: see "Hardware settings" section of Operating Instructions for the device.



## 8 Promag, Promass 300

### 8.1 Transmitter version with aluminum housing for non-hazardous areas/Zone 2

### 8.2 Removing the user interface board

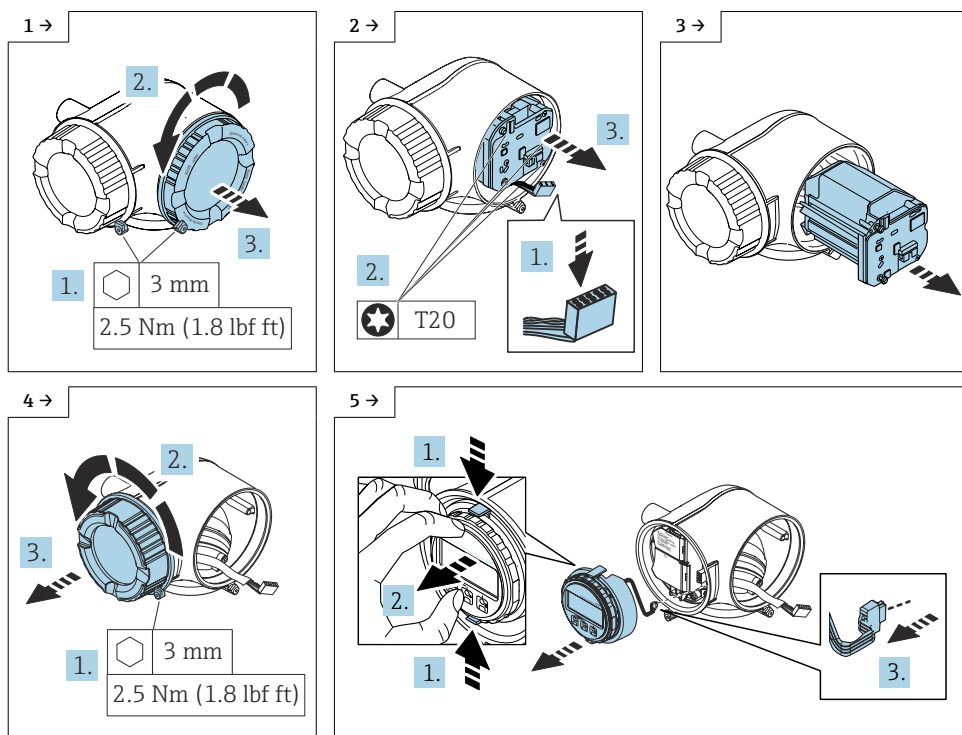
#### **CAUTION**

The measuring device is energized!

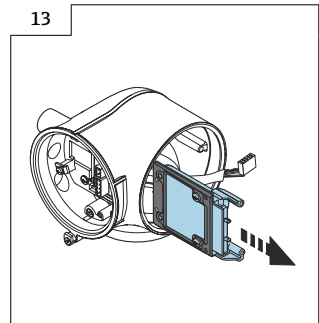
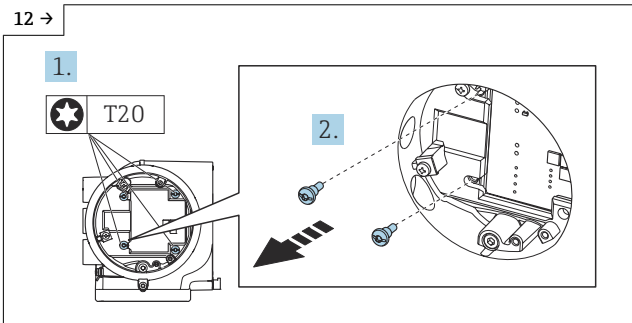
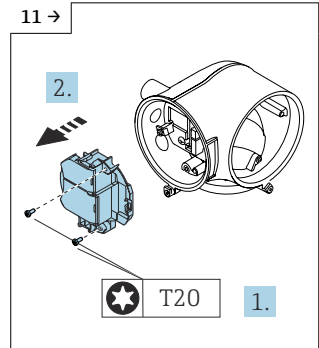
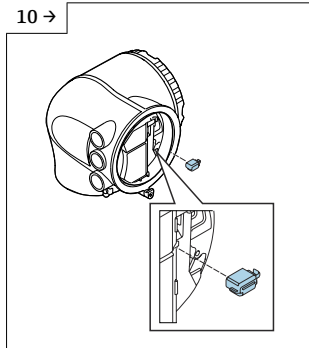
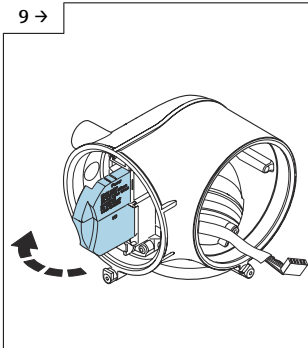
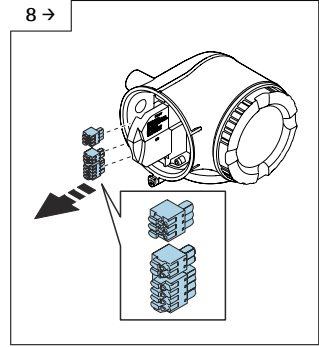
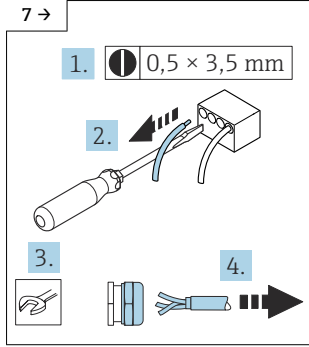
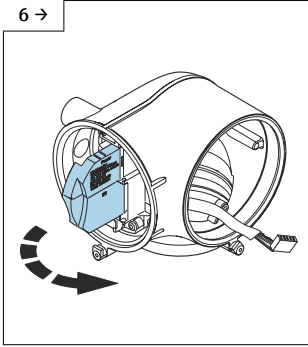
Risk of fatal injury from electric shock.

► Open the measuring device only when the device is deenergized.

**i** Remove the T-DAT currently in the old transmitter and insert the T-DAT into the new transmitter.



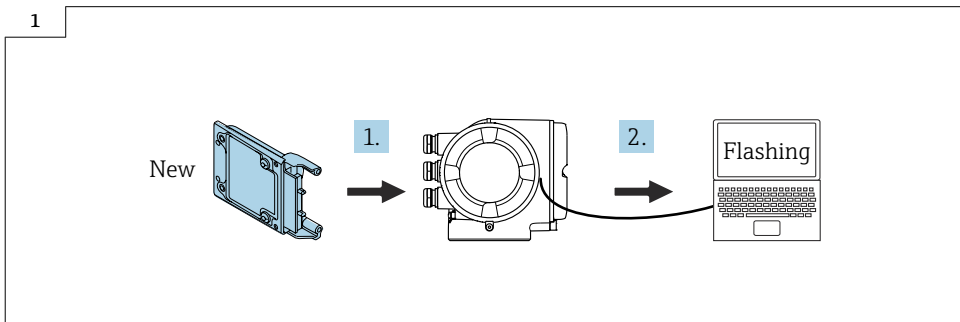
► Remove the optional display if it is fitted.



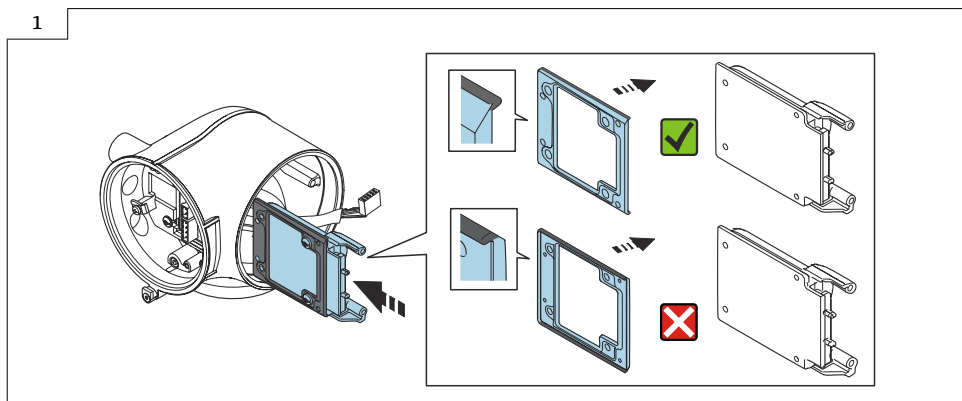
### 8.2.1 Reassembling the transmitter housing with new user interface board

Reassembly is carried out in reverse order. Note the following:

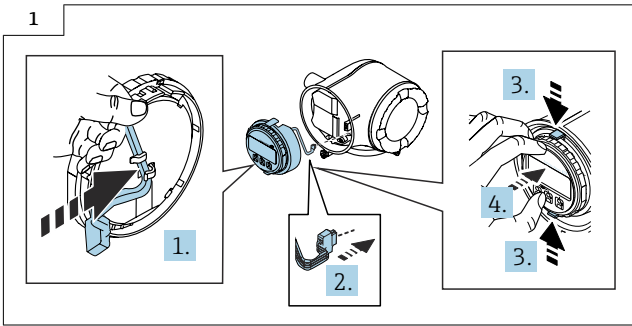
- i** The new user interface board must be flashed before commissioning the device. For detailed information, see Section 9 → 18.



- i** When installing, ensure that the seal for the user interface board is seated correctly (see graphic below).



- i** When reassembling, pass the ribbon cable of the display module under the tab as illustrated in the diagram below.



- i** For detailed information on the electrical connection, see the "Electrical connection" section of the Operating Instructions for the device.

- i** For detailed information on commissioning, see the "Commissioning" section of the Operating Instructions for the device.

### 8.3 Removing the transmitter housing

- i** The serial number and the nameplate of the old and new transmitter must match.

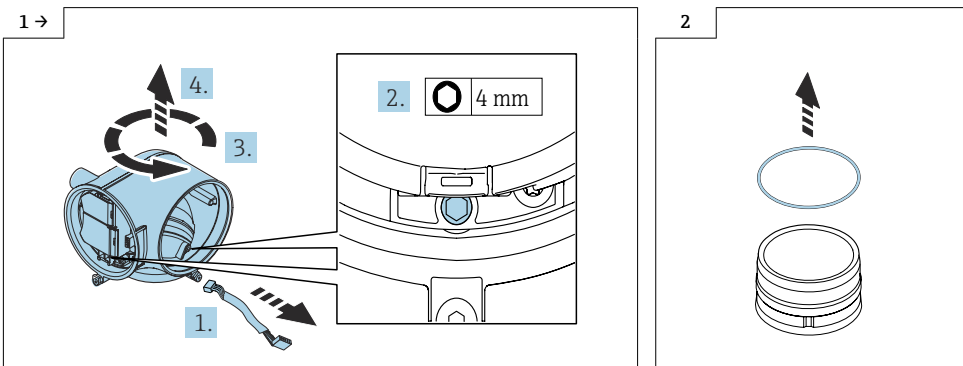
#### **CAUTION**

**The measuring device is energized!**

Risk of fatal injury from electric shock.

- Open the measuring device only when the device is deenergized.

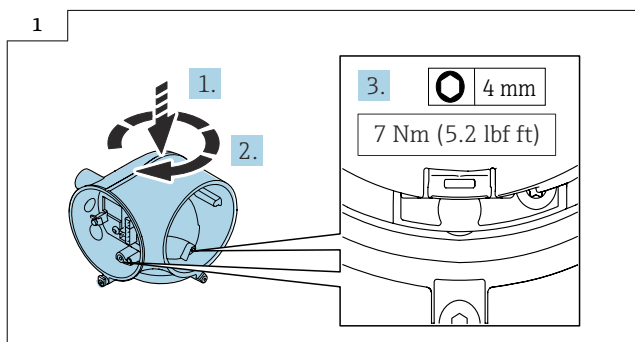
Proceed as described in Section 8.2 → 9 and as illustrated in the diagrams below.



- Removing the transmitter version for non-hazardous areas: turn the transmitter and lift it up.

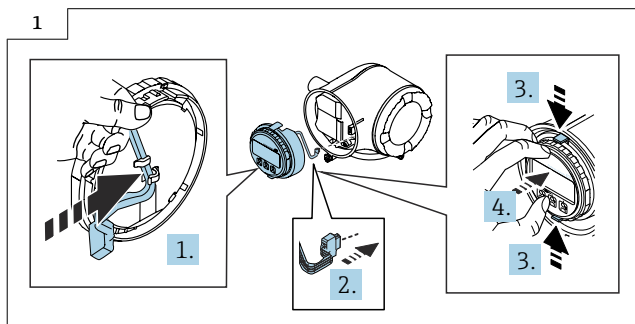
### 8.3.1 Reassembling the new transmitter housing

Reassembly is carried out in reverse order. Note the following:



- ▶ To reassemble the transmitter version for non-hazardous areas: turn the transmitter as far as it will go and then turn it back as far as the securing screw.

**i** When reassembling, pass the ribbon cable of the display module under the tab as illustrated in the diagram below.



**i** For detailed information on the electrical connection, see the "Electrical connection" section of the Operating Instructions for the device.

**i** For detailed information on commissioning, see the "Commissioning" section of the Operating Instructions for the device.

## 8.4 Removing the transmitter housing with user interface board

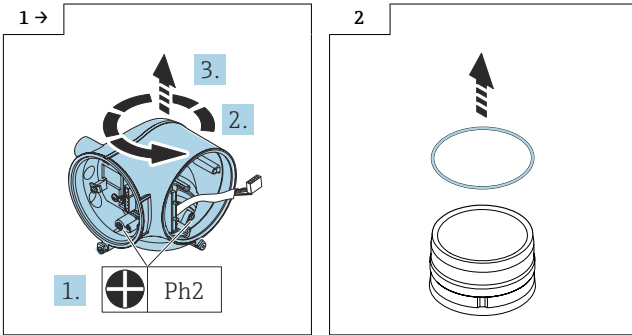
### **CAUTION**

**The measuring device is energized!**

Risk of fatal injury from electric shock.

- ▶ Open the measuring device only when the device is deenergized.

Proceed as described in Section 8.2 → 9, Fig. 1-11 and as illustrated in the diagrams below.



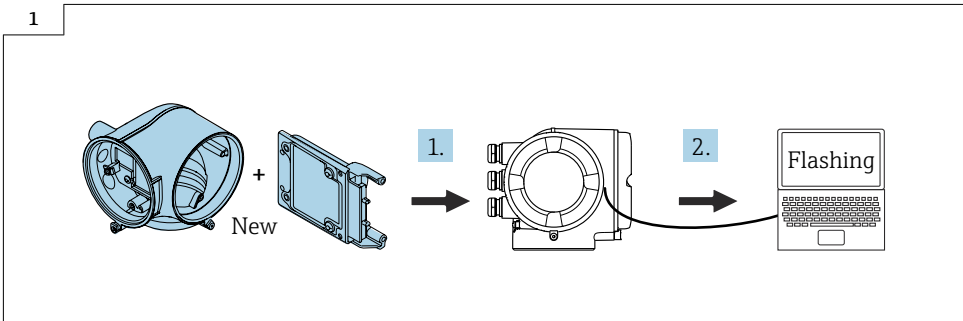
- ▶ Removing the transmitter version for non-hazardous areas: turn the transmitter and lift it up.

#### 8.4.1 Reassembling the new transmitter housing with new user interface board

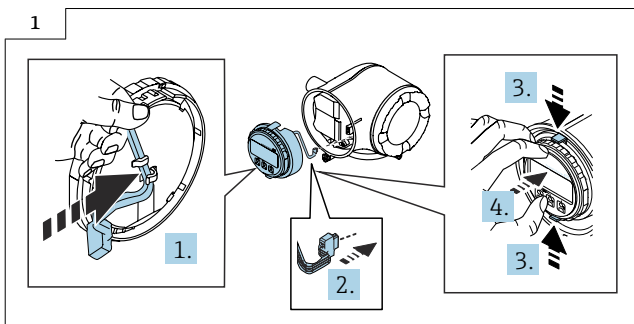
Reassembly is as described in Section 8.3.1 → 13.

**i** The serial number and the nameplate of the old and new transmitter must match.

**i** The new user interface board must be flashed before commissioning the device. For detailed information, see Section 9 → 18.



- i** When reassembling, pass the ribbon cable of the display module under the tab as illustrated in the diagram below.



- i** For detailed information on the electrical connection, see the "Electrical connection" section of the Operating Instructions for the device.
- i** For detailed information on commissioning, see the "Commissioning" section of the Operating Instructions for the device.

## 9 Promag, Promass 500

### 9.1 Transmitter version with aluminum housing for hazardous areas and cast housing version for hazardous areas/Zone 2

### 9.2 Removing the transmitter housing with user interface board

**i** The serial number and the nameplate of the old and new transmitter must match.


#### **⚠ CAUTION**

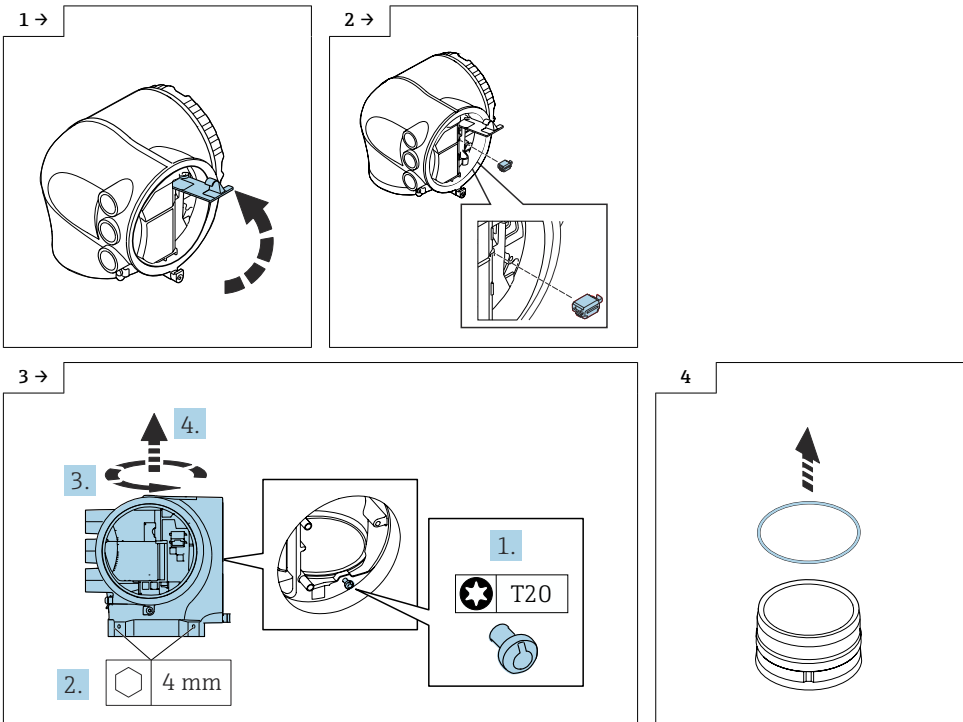
**The measuring device is energized!**

Risk of fatal injury from electric shock.

► Open the measuring device only when the device is deenergized.

**i** Remove the existing T-DAT from the existing transmitter (see Fig. 1 and 2 below) and insert the T-DAT into the new transmitter.

Proceed as described in Section 8.2 →  9, Fig. 1-9 and as illustrated in the diagrams below.

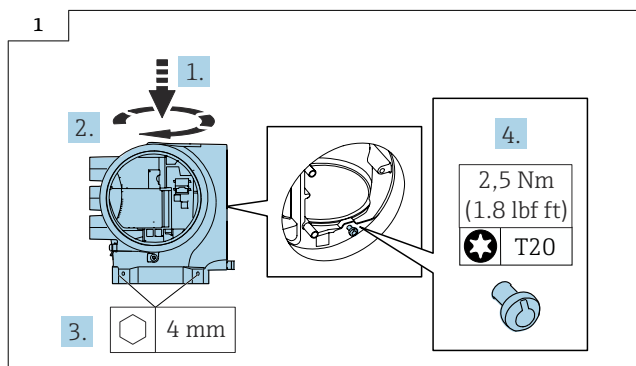


► Removing the transmitter version for hazardous areas: turn the transmitter and lift it up.



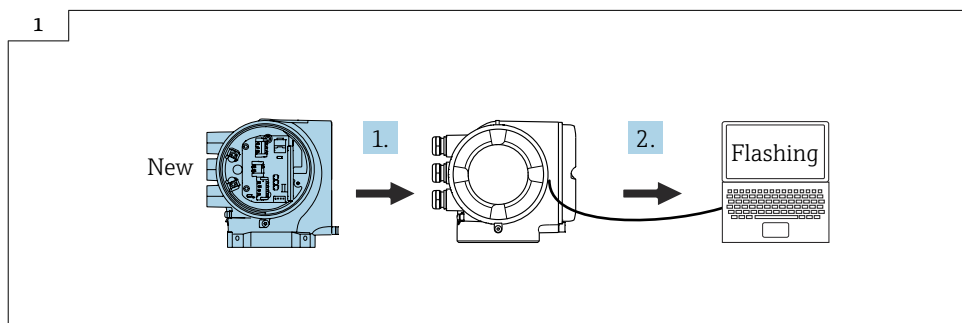
### 9.2.1 Reassembling the new transmitter housing with new user interface board

Reassembly is carried out in reverse order. Note the following:



- To reassemble the transmitter version for hazardous areas: turn the transmitter as far as it will go and then turn it back as far as the securing screw.

**i** The new user interface board must be flashed before commissioning the device. For detailed information, see Section 9 → 18.



**i** For detailed information on the electrical connection, see the "Electrical connection" section of the Operating Instructions for the device.

**i** For detailed information on commissioning, see the "Commissioning" section of the Operating Instructions for the device.

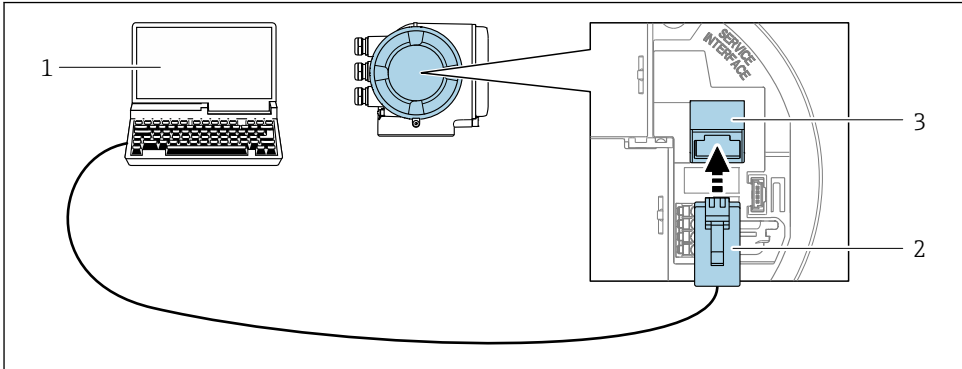
**i** Unused adhesive signs (sign sheet) must be disposed of.

## 10 Flashing the firmware

### 10.1 Determining the current firmware in the CER

**i** The device firmware delivered can be determined by entering the serial number of the measuring instrument in the CER. The required device firmware can be downloaded or the update history of existing device firmware can be viewed in the "Device integration" tab.

### 10.2 Required components



**i** 1 Connection via service interface (CDI-RJ45)

1 Computer with "FieldCare" operating tool, "DeviceCare" with COM DTM "CDI Communication TCP/IP"

2 Standard Ethernet connecting cable with RJ45 connector

3 Service interface (CDI-RJ45) of the measuring instrument


**i** For detailed information on flashing the firmware, see the "Flashing the firmware" section of the service manual for the device.

### 10.3 Restarting and flashing the measuring instrument


**i** After rebooting, the device remains in bootloader mode since there is no firmware in the device memory. The web server is not operational in bootloader mode.

**i** The device uses the default IP address 192.168.1.212. To flash the device, proceed as follows:

1. Use FieldCare or DeviceCare ("CDI Communication TCP/IP" flash module).
2. Configure the IP address of the laptop so that it works with the default IP of the device (192.168.1.212).
3. Download the corresponding flash file from DIM (Device Integration Manager).
4. Flash the device directly using the "Browse" button.

** Resolving problems with flashing**

If problems occur during flashing, disconnect the T-DAT before flashing again. Once flashing has been completed successfully, plug the T-DAT back in.

** Changing the transmitter code from 300 to 500**

Following a device restart, the device responds with transmitter code 300.

The code must be changed to 500 in the device menu under

Main menu → Expert → System → Administration.

# 11 Preparatory steps for Promag, Promass

## NOTICE

Pay attention to the following points before replacing the user interface board or the transmitter with user interface board:

- ▶ **SIL approval, current device configuration, software version, DIP switch**

### SIL approval

If SIL approval is available for the measuring device and the customer's consent has been obtained, stop operation of the measuring device.



For detailed information on how to stop SIL operation, see the special documentation for the device.

### External backup of current device configuration

The current device configuration can be backed up externally.



Detailed information on backing up the current device configuration externally:

Step 1: "Configuration management" section of Operating Instructions for the device.

Step 2: "Manual data transmission" paragraph in "Operability" section of Operating Instructions for the device.

### Existing software version

The existing software version must be determined and noted down.



Check the existing software version: See "Device information" section of Operating Instructions for the device.

### DIP switch

Switch off the DIP switch.

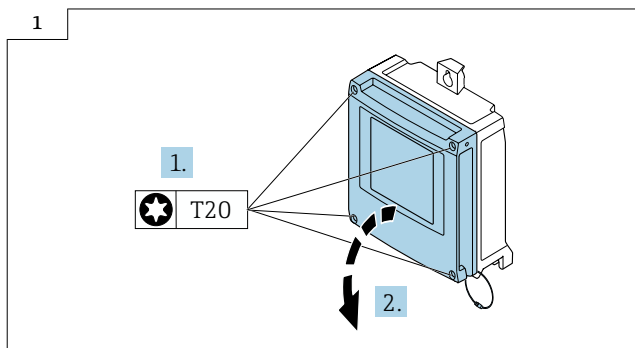


DIP switch on/off: see "Hardware settings" section of Operating Instructions for the device.

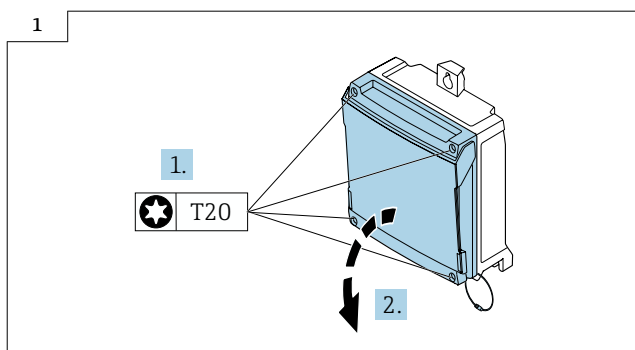
## 12 Promag, Promass 500–digital

### 12.1 Transmitters with aluminum housing and polycarbonate housing



#### 12.2 Opening the cover of the aluminum transmitter housing



#### 12.3 Opening the cover of the polycarbonate transmitter housing



## 12.4 Removing the user interface board


Proceed as described in Section 12.2 →  21 or Section 12.3 →  21 and as illustrated in the diagrams below.


### CAUTION

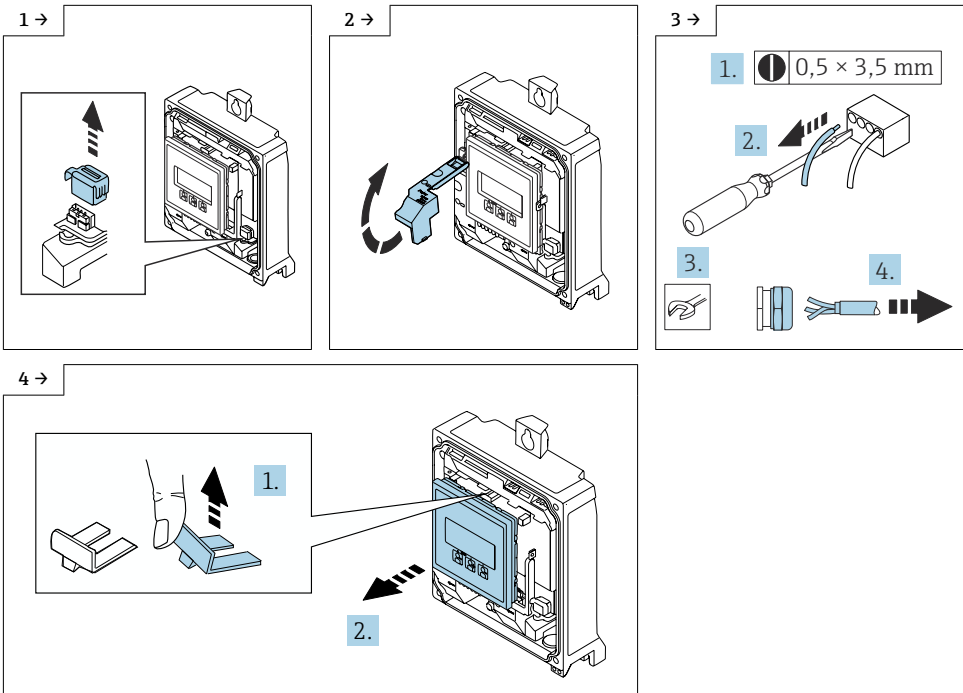
**The measuring device is energized!**

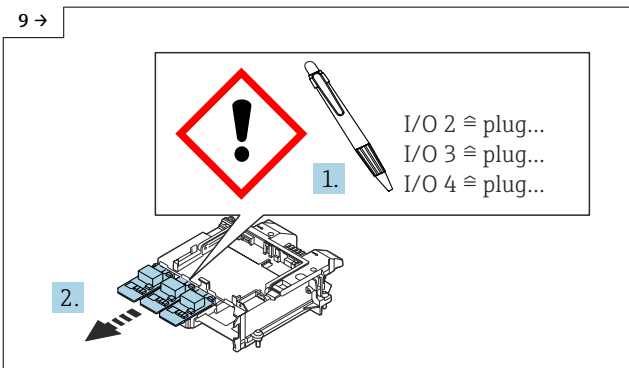
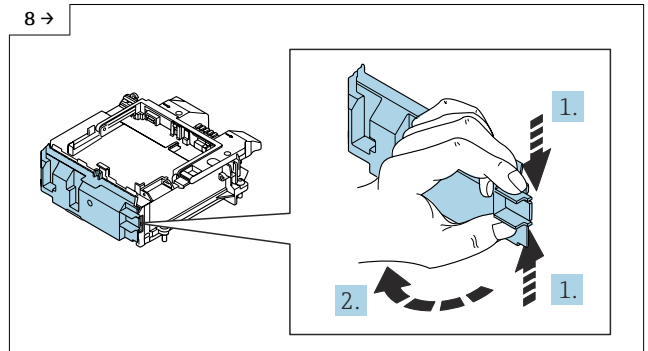
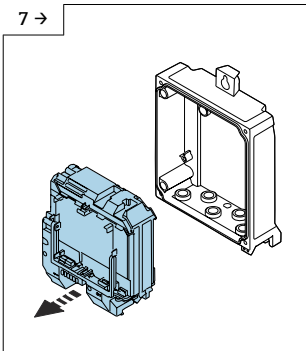
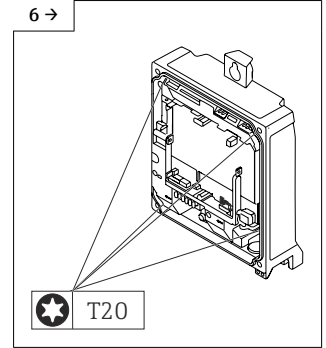
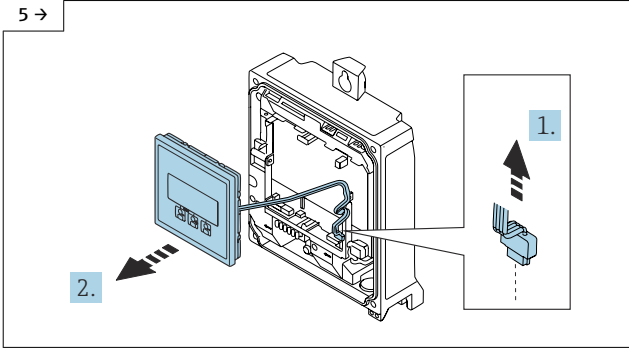
Risk of fatal injury from electric shock.

► Open the measuring device only when the device is deenergized.

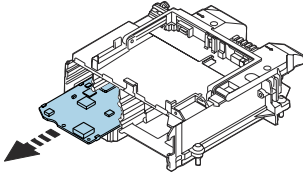
 Remove the existing T-DAT from the existing transmitter (see Fig. below) and insert the T-DAT into the new transmitter.

 Take note of the slots for the I/O boards before removal.

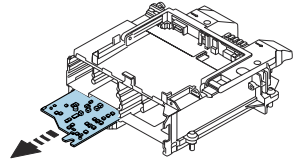




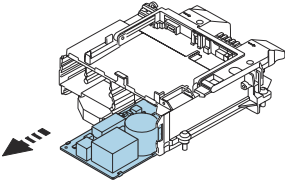
10 →



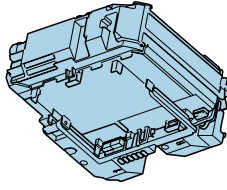
11 →



12 →




13

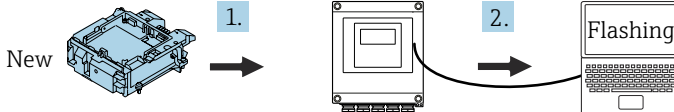


### 12.4.1 Reassembling the transmitter housing with new user interface board

Reassembly is carried out in reverse order. Note the following:

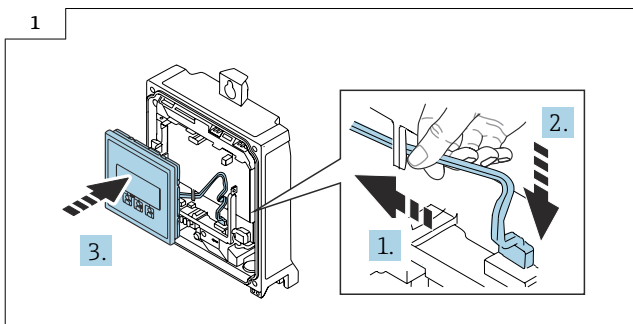
**i** The new user interface board must be flashed before commissioning the device. For detailed information, see Section 13 →  28.

1





- i** When reassembling, pass the ribbon cable of the display module under the tab as illustrated in the diagram below.



- i** For detailed information on the electrical connection, see the "Electrical connection" section of the Operating Instructions for the device.
- i** For detailed information on commissioning, see the "Commissioning" section of the Operating Instructions for the device.

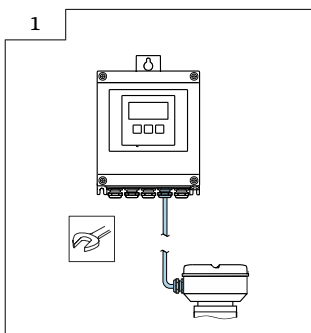
## 12.5 Removing the transmitter housing

### **⚠ CAUTION**

**The measuring device is energized!**

Risk of fatal injury from electric shock.



- Open the measuring device only when the device is deenergized.

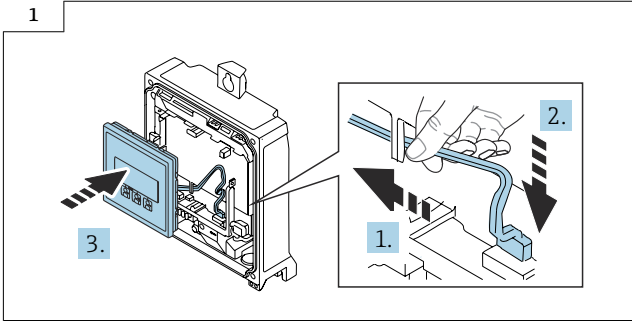



Proceed as described in Section 11.4 → 22, Fig. 1 - 7.


### 12.5.1 Reassembling the new transmitter housing

Reassembly is carried out in reverse order. Note the following:

-  The serial number and the nameplate of the old and new transmitter must match.
-  When reassembling, pass the ribbon cable of the display module under the tab as illustrated in the diagram below.



 For detailed information on the electrical connection, see the "Electrical connection" section of the Operating Instructions for the device.

 For detailed information on commissioning, see the "Commissioning" section of the Operating Instructions for the device.

 Unused adhesive signs (sign sheet) must be disposed of.

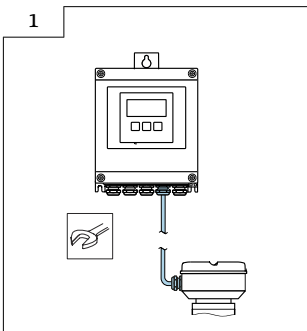
### 12.6 Removing the transmitter housing with user interface board


#### CAUTION

**The measuring device is energized!**

Risk of fatal injury from electric shock.




- ▶ Open the measuring device only when the device is deenergized.

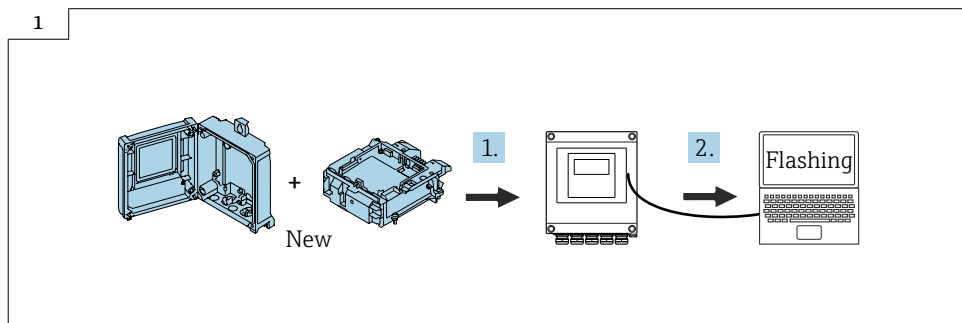



Proceed as described in Section 11.4 →  22, Fig. 1 - 12.

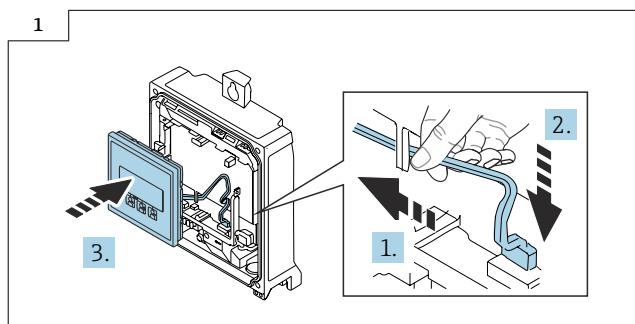
### 12.6.1 Reassembling the new transmitter housing with new user interface board




Reassembly is carried out in reverse order. Note the following:

-  The serial number and the nameplate of the old and new transmitter must match.
-  The new user interface board must be flashed before commissioning the device. For detailed information, see Section 13 →  28.



-  When reassembling, pass the ribbon cable of the display module under the tab as illustrated in the diagram below.



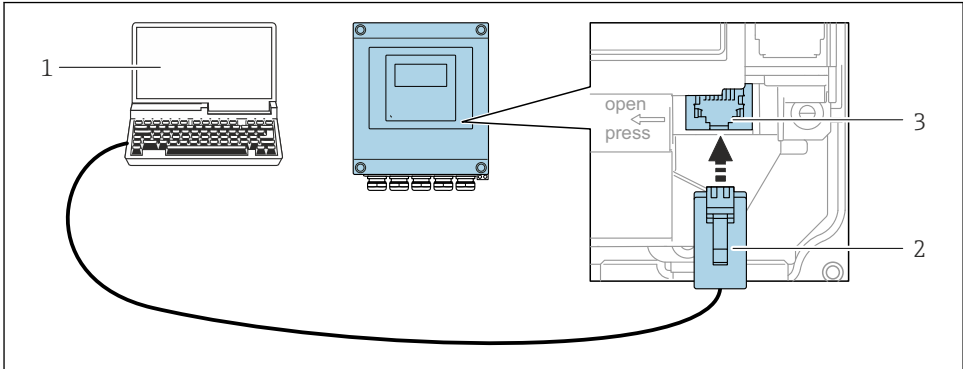
-  For detailed information on the electrical connection, see the "Electrical connection" section of the Operating Instructions for the device.
-  For detailed information on commissioning, see the "Commissioning" section of the Operating Instructions for the device.
-  Unused adhesive signs (sign sheet) must be disposed of.

## 13 Flashing the firmware

### 13.1 Determining the current firmware in the CER

**i** The device firmware delivered can be determined by entering the serial number of the measuring instrument in the CER. The required device firmware can be downloaded or the update history of existing device firmware can be viewed in the "Device integration" tab.

### 13.2 Required components



**i** 2 Connection via service interface (CDI-RJ45)

1 Computer with "FieldCare" operating tool, "DeviceCare" with COM DTM "CDI Communication TCP/IP"

2 Standard Ethernet connecting cable with RJ45 connector

3 Service interface (CDI-RJ45) of the measuring instrument


**i** For detailed information on flashing the firmware, see the "Flashing the firmware" section of the service manual for the device.

### 13.3 Restarting and flashing the measuring instrument

**i** After rebooting, the device remains in bootloader mode since there is no firmware in the device memory. The web server is not operational in bootloader mode.

**i** The device uses the default IP address 192.168.1.212. To flash the device, proceed as follows:

1. Use FieldCare or DeviceCare ("CDI Communication TCP/IP" flash module).
2. Configure the IP address of the laptop so that it works with the default IP of the device (192.168.1.212).
3. Download the corresponding flash file from DIM (Device Integration Manager).
4. Flash the device directly using the "Browse" button.

 **Resolving problems with flashing**

If problems occur during flashing, disconnect the T-DAT before flashing again. Once flashing has been completed successfully, plug the T-DAT back in.

## 14 Disposal



If required by the Directive 2012/19/EU on waste electrical and electronic equipment (WEEE), the product is marked with the depicted symbol in order to minimize the disposal of WEEE as unsorted municipal waste. Do not dispose of products bearing this marking as unsorted municipal waste. Instead, return them to the manufacturer for disposal under the applicable conditions.



# Austausch Messumformer, Nutzerschnittstellenleiterplatte

Promag, Promass 300, 500, 500-digital

## Inhaltsverzeichnis

1	Übersicht Ersatzteilsets .....	32
2	Bestimmungsgemäße Verwendung .....	33
3	Reparaturberechtigte Personen .....	33
4	Sicherheitshinweise .....	34
5	Verwendete Symbole .....	35
6	Werkzeugliste .....	36
7	Vorbereitende Arbeiten Promag, Promass 300, 500 .....	36
8	Promag, Promass 300 .....	37
9	Promag, Promass 500 .....	44
10	Flashen der Firmware .....	46
11	Vorbereitende Arbeiten Promag, Promass .....	48
12	Promag, Promass 500-digital .....	49
13	Flashen der Firmware .....	56
14	Entsorgung .....	57

# 1 Übersicht Ersatzteilsets

Die Einbauanleitung ist für folgende Ersatzteilsets gültig:

Bestellstruktur		Gerätekomponente
<b>Promag 300</b>		
XPD0032-	HT	1 × Messumformergehäuse, 1 × Nutzerschnittstellenleiterplatte, Kabeldurchführungen, Deckel, Typenschild, Anschlussklemmen, Promag 300
	HO	1 × Messumformergehäuse, Kabeldurchführungen, Deckel, Typenschild, Promag 300
	TO	1 × Nutzerschnittstellenleiterplatte, Anschlussklemmen, Promag 300
<b>Promass 300</b>		
XPD0033-	HT	1 × Messumformergehäuse, 1 × Nutzerschnittstellenleiterplatte, Kabeldurchführungen, Deckel, Typenschild, Anschlussklemmen, , Promass 300
	HO	1 × Messumformergehäuse, Kabeldurchführungen, Deckel, Typenschild, Promass 300
	TO	1 × Nutzerschnittstellenleiterplatte, Anschlussklemmen, Promass 300
<b>Promag 500</b>		
XPD0034-	HT	1 × Messumformergehäuse, 1 × Nutzerschnittstellenleiterplatte, Kabeldurchführungen, Deckel, Typenschild, Anschlussklemmen, Promag 500
	HO	1 × Messumformergehäuse, Kabeldurchführungen, Deckel, Typenschild, Promag 500
	TO	1 × Nutzerschnittstellenleiterplatte, Anschlussklemmen, Promag 500
<b>Promass 500</b>		
XPD0035-	HT	1 × Messumformergehäuse, 1 × Nutzerschnittstellenleiterplatte, Kabeldurchführungen, Deckel, Typenschild, Anschlussklemmen, Promass 500
	HO	1 × Messumformergehäuse, Kabeldurchführungen, Deckel, Typenschild, Promass 500
	TO	1 × Nutzerschnittstellenleiterplatte, Anschlussklemmen, Promass 500



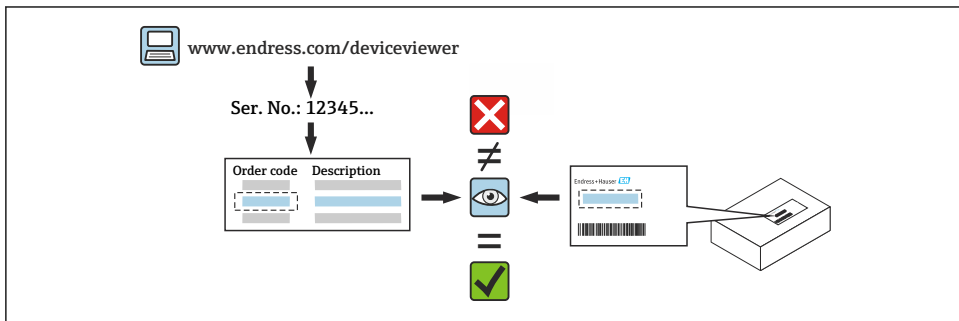
- Die Bestellnummer des Ersatzteilsets (auf dem Produktaufkleber der Verpackung) kann sich von der Produktionsnummer (auf dem Aufkleber direkt auf dem Ersatzteil) unterscheiden!
- Durch Eingabe der Produktionsnummer des Ersatzteiles im Ersatzteilfindetool kann die Bestellnummer des entsprechenden Ersatzteilsets ermittelt werden.
- Wir empfehlen Einbauanleitung und Verpackung immer zusammen aufzubewahren.



## 2 Bestimmungsgemäße Verwendung


- Eine defekte Einheit nur gegen eine funktionierende Einheit des gleichen Typs ersetzen.
- Nur Originalteile von Endress+Hauser verwenden.
- Im W@M Device Viewer prüfen, ob das Ersatzteil zum vorliegenden Gerät passt.

 Bei einigen Geräten befindet sich im Inneren des Gerätes eine Ersatzteilübersicht. Ist das Ersatzteilset dort aufgelistet, entfällt die Überprüfung.



## 3 Reparaturberechtigte Personen

Die Berechtigung zur Durchführung einer Reparatur ist von der Zulassung des Messgeräts abhängig. Die Tabelle zeigt den jeweils berechtigten Personenkreis.

 Die Person, die eine Reparatur vornimmt, übernimmt die Verantwortung für die Sicherheit während der Arbeiten, die Qualität der Ausführung und die Sicherheit des Geräts nach der Reparatur.

Zulassung des Messgeräts	Reparaturberechtigter Personenkreis <sup>1)</sup>
Ohne Zulassung	2, 3
Mit Zulassung (z.B. IECEx)	2, 3
Bei eichfähigem Verkehr	4

- 1) 1 = Ausgebildete Fachkraft des Kunden, 2 = Von Endress+Hauser autorisierter Servicetechniker, 3 = Endress+Hauser (Messgerät an Hersteller zurücksenden)  
4 = Mit der lokalen Zulassungsstelle prüfen, ob ein Ein-/Umbau unter Aufsicht erfolgen muss.

## 4 Sicherheitshinweise

- Prüfen, ob das vorliegende Ersatzteil zur Kennzeichnung auf dem Messgerät passt, wie auf der Titelseite beschrieben.
- Ersatzteilset und Einbauanleitung dienen dazu, eine defekte Einheit gegen eine funktionierende Einheit des gleichen Typs zu ersetzen.  
Nur Originalteile von Endress+Hauser verwenden.
- Nationale Vorschriften bezüglich der Montage, elektrischen Installation, Inbetriebnahme, Wartung und Reparatur einhalten.
- Folgende Anforderungen an das Fachpersonal für Montage, elektrische Installation, Inbetriebnahme, Wartung und Reparatur der Messgeräte müssen erfüllt sein:
  - In Gerätesicherheit ausgebildet.
  - Mit den jeweiligen Einsatzbedingungen der Geräte vertraut.
  - Bei Ex-zertifizierten Messgeräten: zusätzlich im Explosionsschutz ausgebildet.
- Messgerät unter Spannung! Lebensgefahr durch Stromschlag. Messgerät nur im spannungslosen Zustand öffnen.
- Bei Messgeräten für den explosionsgefährdeten Bereich: Hinweise in der Ex-Dokumentation (XA) beachten.
- Bei Messgeräten in sicherheitstechnischen Applikationen gemäß IEC 61508 bzw. IEC 61511: Nach Reparatur Neuinbetriebnahme gemäß Betriebsanleitung durchführen. Reparatur dokumentieren.
- Vor einem Geräteausbau: Prozess in sicheren Zustand bringen und Leitung von gefährlichen Prozessstoffen befreien.
- Verbrennungsgefahr durch heiße Oberflächen! Vor Arbeitsbeginn: Anlage und Messgerät auf berührungssichere Temperatur abkühlen.
- Bei Messgeräten im abrechnungspflichtigen Verkehr: Nach Entfernen der Plombe ist der geeichte Zustand aufgehoben.
- Die Betriebsanleitung zum Messgerät ist zu beachten.
- Beschädigungsgefahr elektronischer Bauteile! Eine ESD-geschützte Arbeitsumgebung herstellen.
- Nach Entfernen der Elektronikabdeckung: Stromschlaggefahr durch aufgehobenen Berührungsschutz!  
Messgerät ausschalten, bevor interne Abdeckungen entfernt werden.
- Änderungen am Messgerät sind nicht zulässig.
- Gehäuse nur kurzzeitig öffnen. Eindringen von Fremdkörpern, Feuchtigkeit oder Verunreinigung vermeiden.
- Defekte Dichtungen nur durch Original-Dichtungen von Endress+Hauser ersetzen.
- Defekte Gewinde erfordern eine Instandsetzung des Messgeräts.
- Gewinde (z.B. von Elektronikraum- und Anschlussraumdeckel) müssen geschmiert sein, sofern keine abriebfeste Trockenschmierung vorhanden ist. Säurefreies, nicht härtendes Fett verwenden.

- Wenn bei den Reparaturarbeiten Abstände reduziert oder die Spannungsfestigkeit des Messgeräts nicht sichergestellt werden kann: Prüfung nach Abschluss der Arbeiten durchführen (z.B. Hochspannungstest gemäß Herstellerangaben).
- Servicestecker:
  - Nicht in explosionsfähiger Atmosphäre anschließen.
  - Nur an Servicegeräte von Endress+Hauser anschließen.
- Die in der Betriebsanleitung aufgeführten Hinweise zum Transport und zur Rücksendung beachten.



Bei Fragen Endress+Hauser Service kontaktieren: [www.addresses.endress.com](http://www.addresses.endress.com)

## 5 Verwendete Symbole

### 5.1 Warnhinweissymbole



Bezeichnet eine unmittelbar drohende Gefahr. Wenn sie nicht gemieden wird, sind Tod oder schwerste Verletzungen die Folge.



Bezeichnet eine möglicherweise drohende Gefahr. Wenn sie nicht gemieden wird, können Tod oder schwerste Verletzungen die Folge sein.



Bezeichnet eine möglicherweise drohende Gefahr. Wenn sie nicht gemieden wird, können leichte oder geringfügige Verletzungen die Folge sein.

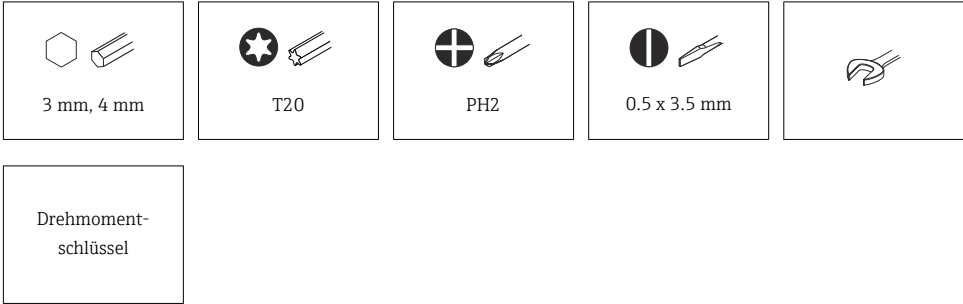


Bezeichnet eine möglicherweise schädliche Situation. Wenn sie nicht gemieden wird, kann das Produkt oder etwas in seiner Umgebung beschädigt werden.

### 5.2 Symbole für Informationstypen

Symbol	Bedeutung
	<b>Erlaubt</b> Abläufe, Prozesse oder Handlungen, die erlaubt sind.
	<b>Verboten</b> Abläufe, Prozesse oder Handlungen, die verboten sind.
	<b>Tipp</b> Kennzeichnet zusätzliche Informationen.
<b>1.</b> , <b>2.</b> , <b>3.</b> ...	Handlungsschritte

## 6 Werkzeugliste



## 7 Vorbereitende Arbeiten Promag, Promass 300, 500

### HINWEIS

Folgende Punkte sind vor einem Austausch der Nutzerschnittstellenleiterplatte oder des Messumformers mit Nutzerschnittstellenleiterplatte zu beachten:

- ▶ SIL-Zulassung, aktuelle Gerätekonfiguration, Software-Version, DIP-Schalter

### SIL-Zulassung

Falls eine SIL-Zulassung für das Messgerät vorhanden ist und die Zustimmung des Kunden vorliegt, den Betrieb des Messgeräts aufheben.



Detaillierte Angaben zum Aufheben des SIL-Betriebes siehe Sonderdokumentation zum Gerät.

### Externe Sicherung der aktuelle Gerätekonfiguration

Die aktuelle Gerätekonfiguration kann extern gesichert werden.



Detaillierte Angaben zur externen Sicherung der aktuelle Gerätekonfiguration:

Schritt 1: Kapitel "Konfiguration verwalten" Betriebsanleitung zum Gerät.

Schritt 2: Kapitel "Bedienbarkeit, Abschnitt "Datenübertragung manuell" Betriebsanleitung zum Gerät.

### Vorhandene Software-Version

Die vorhandene Software-Version muss ermittelt und notiert werden.



Kontrolle der vorhandenen Software-Version: Kapitel "Geräteinformationen", Betriebsanleitung zum Gerät.

### DIP-Schalter

DIP-Schalter ausschalten.



DIP-Schalter ein/aus: Kapitel "Hardwareeinstellungen", Betriebsanleitung zum Gerät.

## 8 Promag, Promass 300

### 8.1 Messumformer Aluminiumgehäuse in nicht explosionsgeschützter Ausführung/Zone 2

### 8.2 Ausbau Nutzerschnittstellenleiterplatte

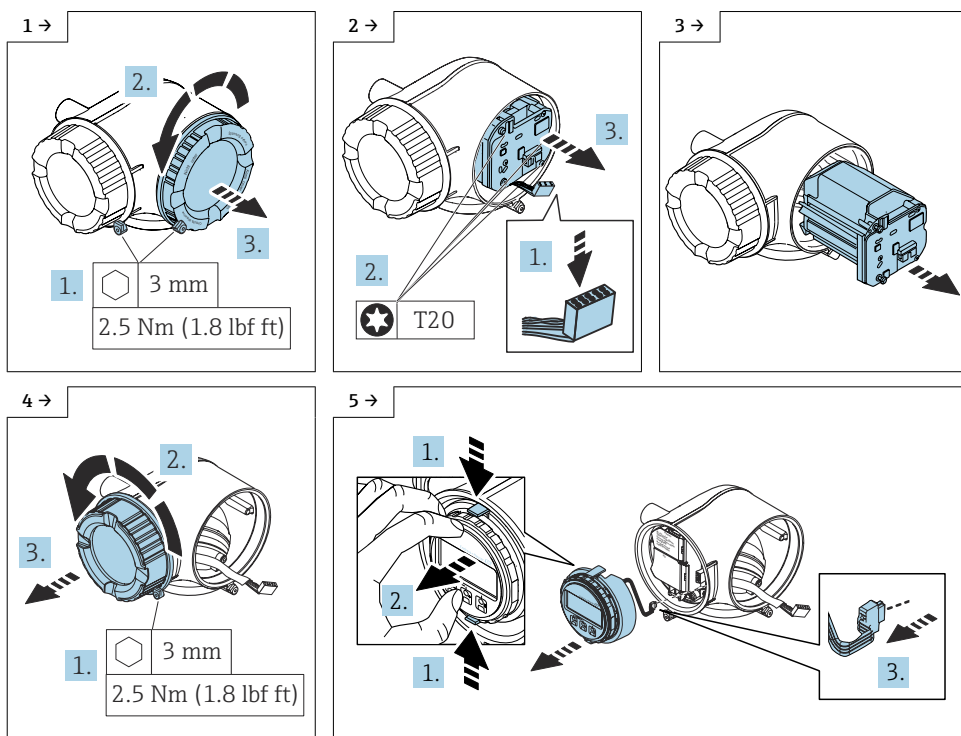
#### **⚠ VORSICHT**

#### **Messgerät unter Spannung!**

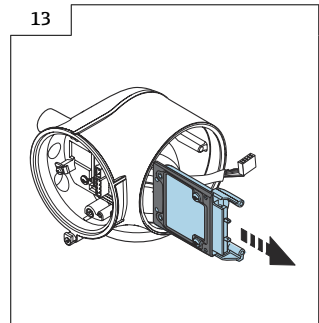
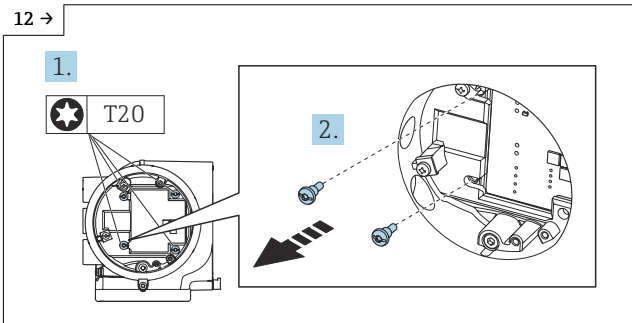
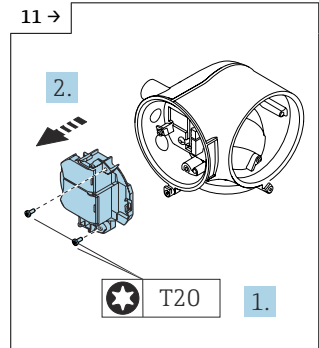
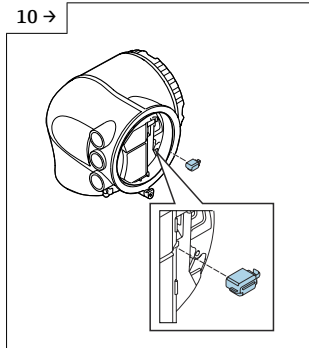
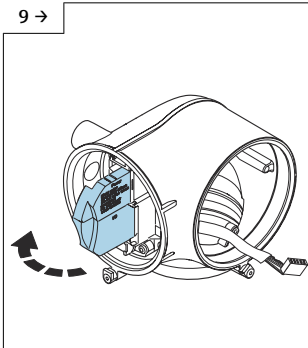
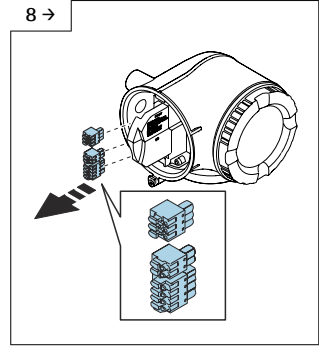
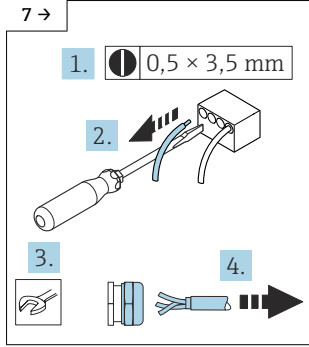
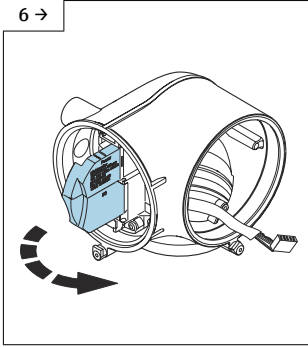
Lebensgefahr durch Stromschlag.

- ▶ Messgerät nur im spannungslosen Zustand öffnen.

**i** Den vorhandenen T-DAT aus dem bestehenden Messumformer herausziehen und den T-DAT in den neuen Messumformer einstecken.



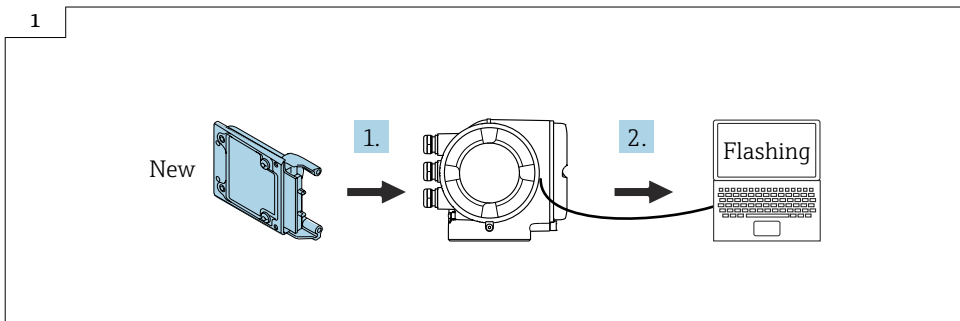
- ▶ Optionale Anzeige demontieren, wenn vorhanden.



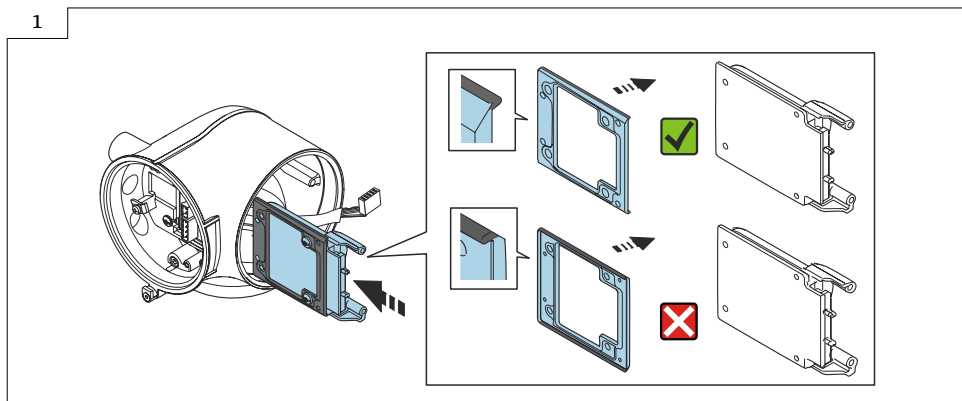
### 8.2.1 Zusammenbau Messumformergehäuse mit neuer Nutzerschnittstellenleiterplatte

Der Zusammenbau erfolgt in umgekehrter Reihenfolge. Folgendes ist zu beachten:

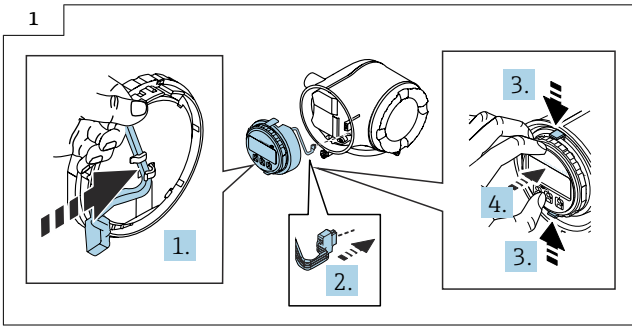
- i** Die neue Nutzerschnittstellenleiterplatte muss vor Inbetriebnahme des Geräts geflasht werden. Detaillierte Angaben Kapitel 9 → 46.



- i** Beim Einbau auf richtigen Sitz der Dichtung für die Nutzerschnittstellenleiterplatte achten (siehe Grafik unten).



- i** Beim Zusammenbau das Flachbandkabel des Anzeigemoduls unter der Lasche durchführen wie im Bild unten beschrieben.



- i** Detaillierte Angaben zum elektrischen Anschluss: Kapitel "Elektrischer Anschluss", Betriebsanleitung zum Gerät.

- i** Detaillierte Angaben zur Inbetriebnahme: Kapitel "Inbetriebnahme", Betriebsanleitung zum Gerät.

### 8.3 Ausbau Messumformergehäuse

- i** Die Seriennummer und das Typenschild des alten und des neuen Messumformers müssen übereinstimmen.

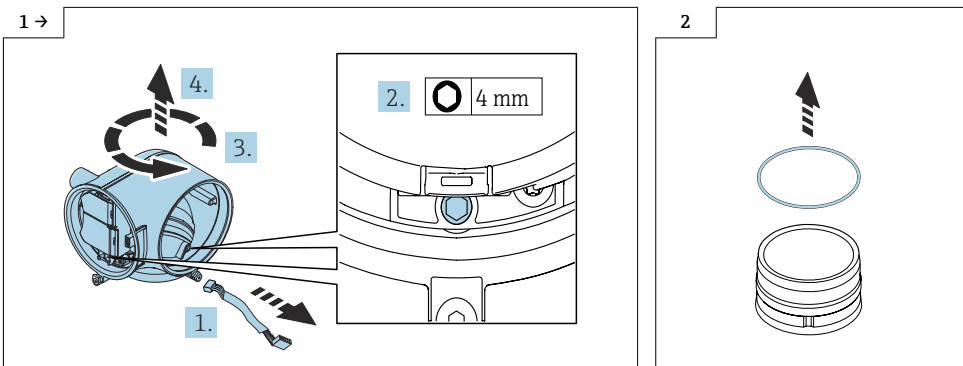
#### **⚠ VORSICHT**

#### **Messgerät unter Spannung!**

Lebensgefahr durch Stromschlag.

- ▶ Messgerät nur im spannungslosen Zustand öffnen.

Vorgehen wie in Kapitel 8.2 → 37 und wie in den Bildern unten.

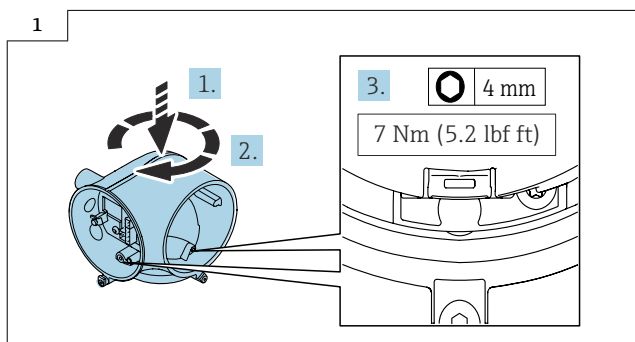


- ▶ Ausbau Messumformer in nicht explosionsgeschützter Ausführung: Messumformer drehen und hochziehen.



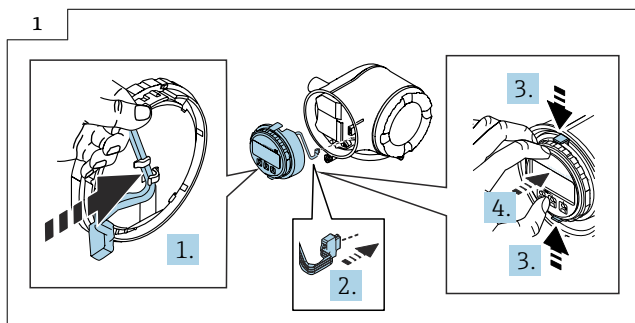
### 8.3.1 Zusammenbau neues Messumformergehäuse

Der Zusammenbau erfolgt in umgekehrter Reihenfolge. Folgendes ist zu beachten:



- ▶ Zusammenbau Messumformer in nicht explosionsgeschützter Ausführung:  
Bis zum Anschlag drehen und dann zurück bis zur Sicherungsschraube.

- i** Beim Zusammenbau das Flachbandkabel des Anzeigemoduls unter der Lasche durchführen wie im Bild unten beschrieben.



- i** Detaillierte Angaben zum elektrischen Anschluss: Kapitel "Elektrischer Anschluss", Betriebsanleitung zum Gerät.
- i** Detaillierte Angaben zur Inbetriebnahme: Kapitel "Inbetriebnahme", Betriebsanleitung zum Gerät.

## 8.4 Ausbau Messumformergehäuse mit Nutzerschnittstellenleiterplatte

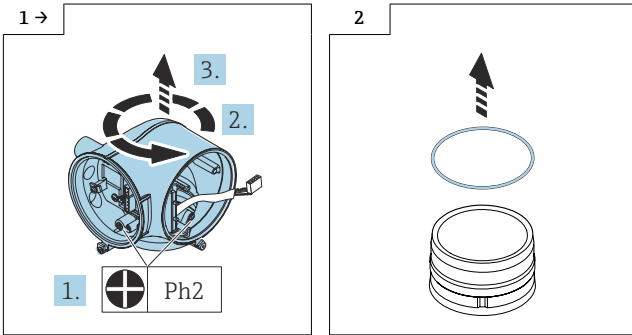
### **⚠ VORSICHT**

#### **Messgerät unter Spannung!**

Lebensgefahr durch Stromschlag.


- ▶ Messgerät nur im spannungslosen Zustand öffnen.




Vorgehen wie in Kapitel 8.2 →  37, Bild 1-11 und wie in den Bildern unten.

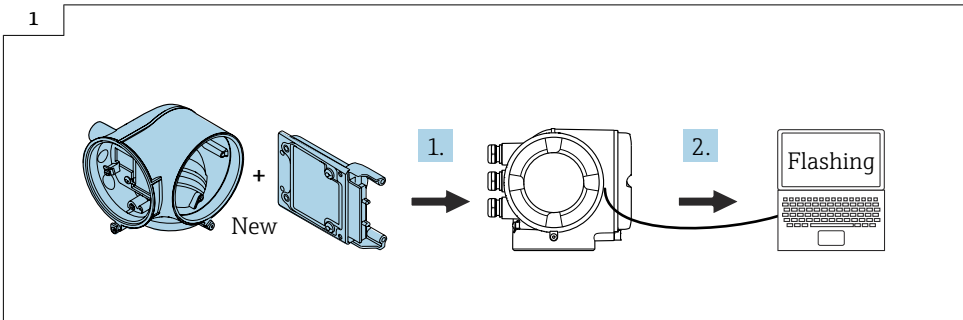


- Ausbau Messumformer in nicht explosionsgeschützter Ausführung: Messumformer drehen und hochziehen.

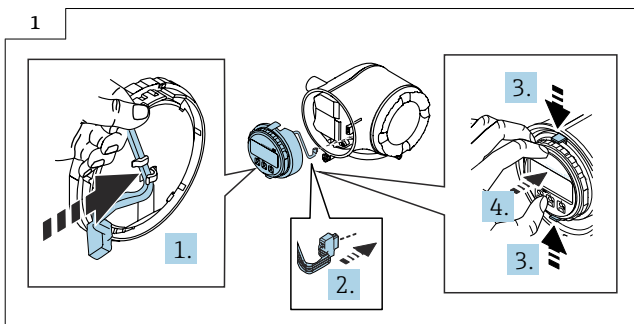
#### 8.4.1 Zusammenbau neues Messumformergehäuse mit neuer Nutzerschnittstellenleiterplatte

Der Zusammenbau erfolgt wie in Kapitel 8.3.1 →  41 beschrieben.

-  Die Seriennummer und das Typenschild des alten und des neuen Messumformers müssen übereinstimmen.
-  Die neue Nutzerschnittstellenleiterplatte muss vor Inbetriebnahme des Geräts geflasht werden. Detaillierte Angaben Kapitel 9 →  46.



- i** Beim Zusammenbau das Flachbandkabel des Anzeigemoduls unter der Lasche durchführen wie im Bild unten beschrieben.



- i** Detaillierte Angaben zum elektrischen Anschluss: Kapitel "Elektrischer Anschluss", Betriebsanleitung zum Gerät.
- i** Detaillierte Angaben zur Inbetriebnahme: Kapitel "Inbetriebnahme", Betriebsanleitung zum Gerät.

## 9 Promag, Promass 500

### 9.1 Messumformer Aluminiumgehäuse in explosionsgeschützter Ausführung und Gussgehäuse in explosionsgeschützter Ausführung/Zone 2

### 9.2 Ausbau Messumformergehäuse mit Nutzerschnittstellenleiterplatte

**i** Die Seriennummer und das Typenschild des alten und des neuen Messumformers müssen übereinstimmen.

#### **⚠ VORSICHT**

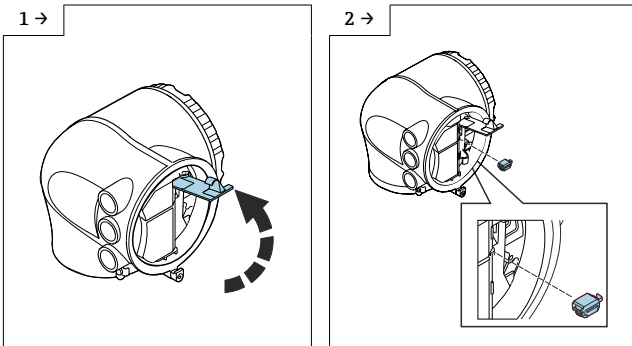
#### **Messgerät unter Spannung!**

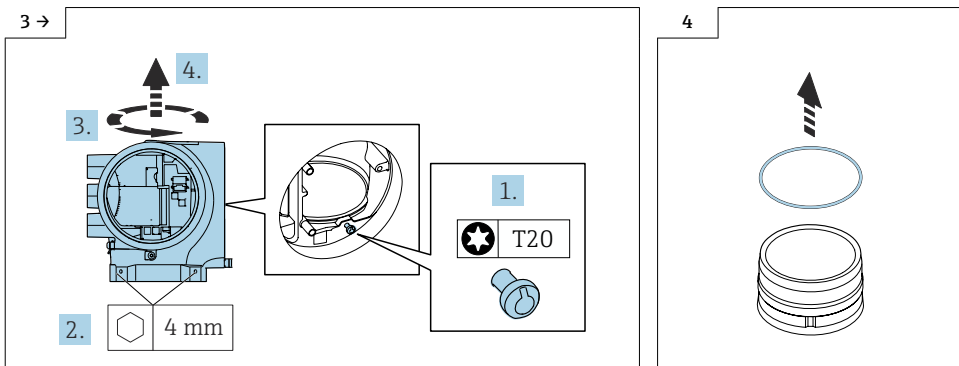
Lebensgefahr durch Stromschlag.

► Messgerät nur im spannungslosen Zustand öffnen.

**i** Den vorhandenen T-DAT aus bestehenden Messumformer herausziehen (siehe Bild 1 und 2 unten) und den T-DAT in den neuen Messumformer einstecken.

Vorgehen wie in Kapitel 8.2 →  37, Bild 1 - 9 und wie in den Bildern unten.

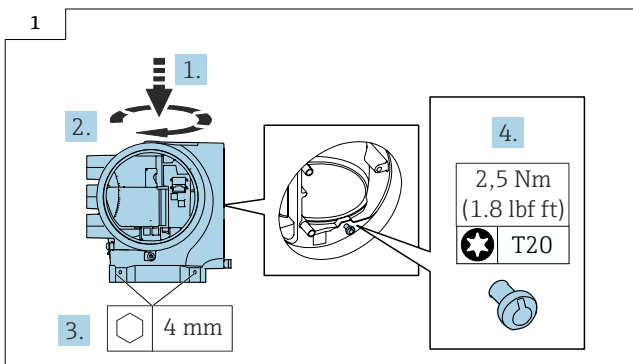





- Ausbau Messumformer in explosionsgeschützter Ausführung: Messumformer drehen und hochziehen.

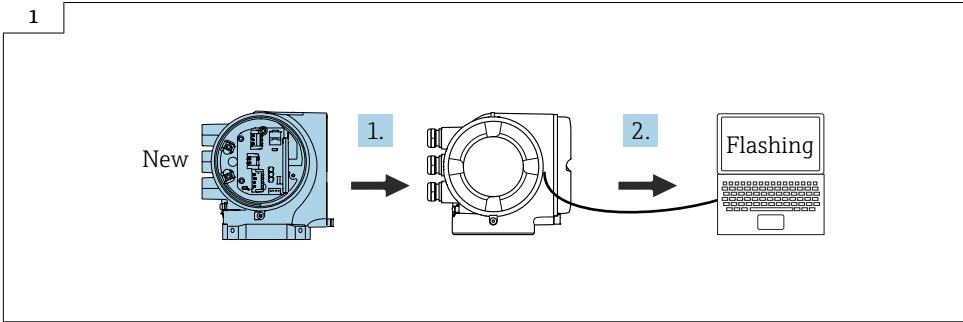
### 9.2.1 Zusammenbau neues Messumformergehäuse mit neuer Nutzerschnittstellenleiterplatte

Der Zusammenbau erfolgt in umgekehrter Reihenfolge. Folgendes ist zu beachten:



- Zusammenbau Messumformer in explosionsgeschützter Ausführung: Bis zum Anschlag drehen und dann zurück bis zur Sicherungsschraube.

**i** Die neue Nutzerschnittstellenleiterplatte muss vor Inbetriebnahme des Geräts geflasht werden. Detaillierte Angaben Kapitel 9 →  46.



**i** Detaillierte Angaben zum elektrischen Anschluss: Kapitel "Elektrischer Anschluss", Betriebsanleitung zum Gerät.

**i** Detaillierte Angaben zur Inbetriebnahme: Kapitel "Inbetriebnahme", Betriebsanleitung zum Gerät.

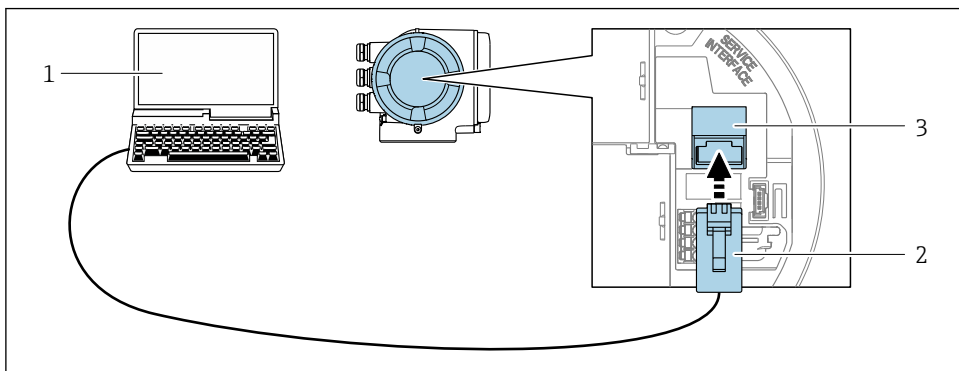
**i** Nicht verwendete Klebeschilder (Beschilderungsbogen) sind zu entsorgen.

## 10 Flashen der Firmware

### 10.1 Ermitteln der aktuellen Firmware im CER

**i** Durch Eingabe der Seriennummer des Messgeräts im CER kann die ausgelieferte Gerätefirmware ermittelt werden. Über den Reiter "Geräteintegration" kann die benötigte Gerätefirmware heruntergeladen oder der Updateverlauf bestehender Gerätefirmware eingesehen werden.

## 10.2 Benötigte Komponenten



### 3 Anschluss via Serviceschnittstelle (CDI-RJ45)

- 1 Computer mit Bedientool "FieldCare", "DeviceCare" mit COM DTM "CDI Communication TCP/IP"
- 2 Standard-Ethernet-Verbindungskabel mit RJ45-Stecker
- 3 Serviceschnittstelle (CDI-RJ45) des Messgeräts

Detaillierte Angaben zum Flashen der Firmware: Kapitel "Flashen der Firmware", Servicehandbuch zum Gerät.

## 10.3 Neustart und Flashen des Messgerätes

- Nach dem Neustart bleibt das Gerät im Bootloader Modus, da auf dem Gerätespeicher keine Firmware enthalten ist. Der Webserver ist im Bootloader Modus nicht einsatzfähig.
- Das Gerät verwendet die Standard IP Adresse 192.168.1.212 Um das Gerät zu flashen, wie folgt vorgehen:
  1. FieldCare oder DeviceCare nutzen (flash modul "CDI Kommunikation TCP/IP")
  2. IP-Adresse des Laptops so einrichten, dass sie mit der Standard-IP des Geräts (192.168.1.212) funktioniert.
  3. Die entsprechende Flash-Datei aus DIM (Device Integration Manager) herunterladen.
  4. Gerät flashen (direkt über "Browse"-Taste)

### Probleme beim Flashen beheben

Wenn Probleme beim Flashen auftreten, vor erneutem Flashen den T-DAT abziehen. Nach erfolgreichem Flashvorgang den T-DAT wieder aufstecken.

### Editieren Messumformerkennung von 300 auf 500

Nach Gerätereustart meldet sich das Gerät mit der Messumformerkennung 300. Die Kennung muss im Gerätemenu unter Hauptmenu → Expert → System → Administration auf 500 angepasst werden.

# 11 Vorbereitende Arbeiten Promag, Promass

## HINWEIS

Folgende Punkte sind vor einem Austausch der Nutzerschnittstellenleiterplatte oder des Messumformers mit Nutzerschnittstellenleiterplatte zu beachten:

- ▶ **SIL-Zulassung, aktuelle Gerätekonfiguration, Software-Version, DIP-Schalter**

### SIL-Zulassung

Falls eine SIL-Zulassung für das Messgerät vorhanden ist und die Zustimmung des Kunden vorliegt, den Betrieb des Messgeräts aufheben.



Detaillierte Angaben zum Aufheben des SIL-Betriebes siehe Sonderdokumentation zum Gerät.

### Externe Sicherung der aktuelle Gerätekonfiguration

Die aktuelle Gerätekonfiguration kann extern gesichert werden.



Detaillierte Angaben zur externen Sicherung der aktuelle Gerätekonfiguration:

Schritt 1: Kapitel "Konfiguration verwalten" Betriebsanleitung zum Gerät.

Schritt 2: Kapitel "Bedienbarkeit, Abschnitt "Datenübertragung manuell" Betriebsanleitung zum Gerät.

### Vorhandene Software-Version

Die vorhandene Software-Version muss ermittelt und notiert werden.



Kontrolle der vorhandenen Software-Version: Kapitel "Geräteinformationen", Betriebsanleitung zum Gerät.

### DIP-Schalter

DIP-Schalter ausschalten.



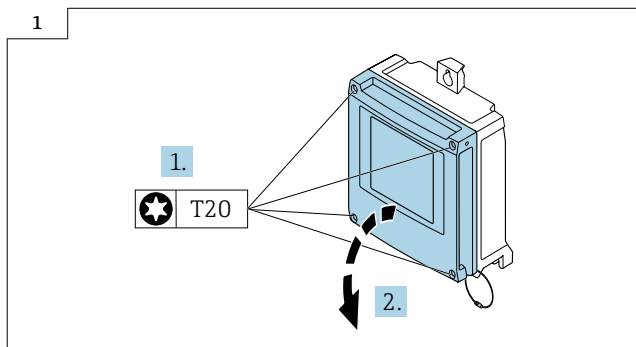
DIP-Schalter ein/aus: Kapitel "Hardwareeinstellungen", Betriebsanleitung zum Gerät.



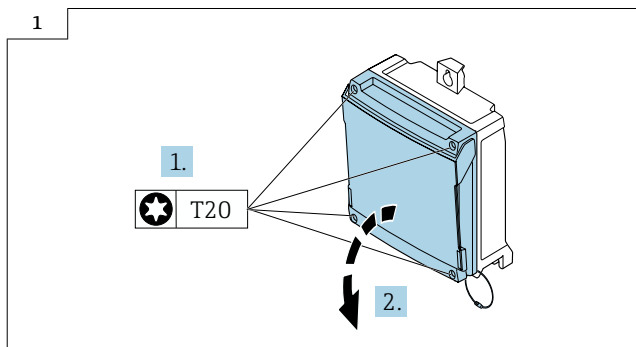
## 12 Promag, Promass 500-digital

### 12.1 Messumformer Aluminiumgehäuse und Polycarbonatgehäuse



### 12.2 Öffnen Deckel Messumformergehäuse Aluminium



### 12.3 Öffnen Deckel Messumformergehäuse Polycarbonat



## 12.4 Ausbau Nutzerschnittstellenleiterplatte


Vorgehen wie in Kap. 12.2 →  49 oder wie in Kap. 12.3 →  49 und wie in den Bildern unten.


### VORSICHT

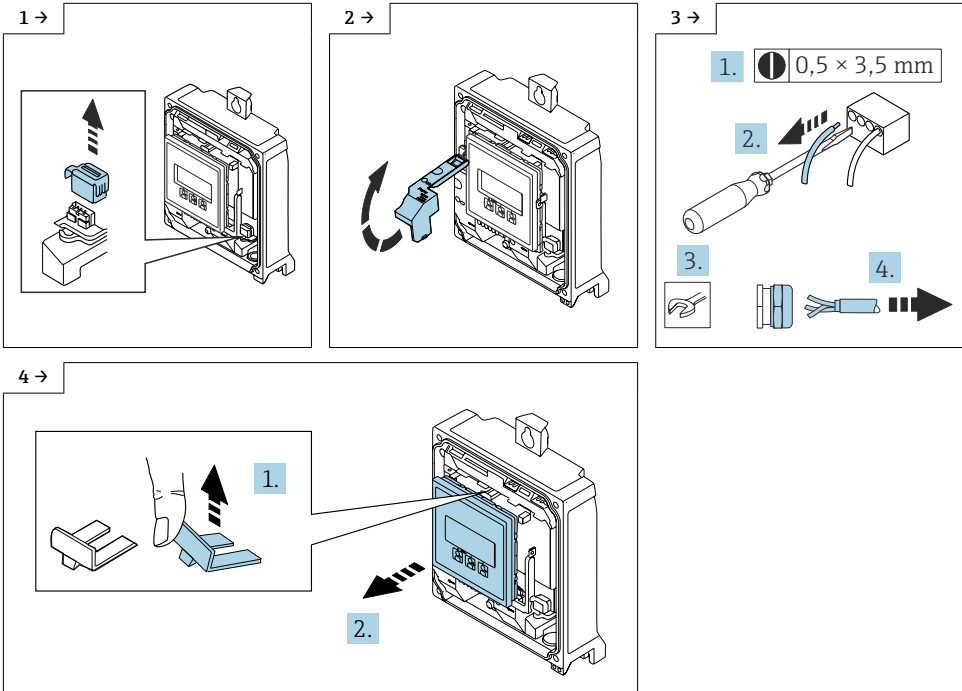
#### Messgerät unter Spannung!

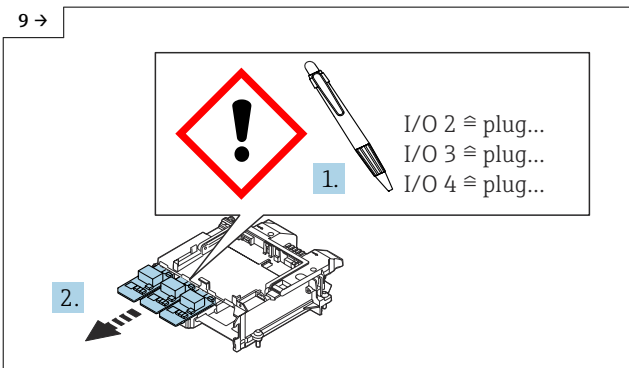
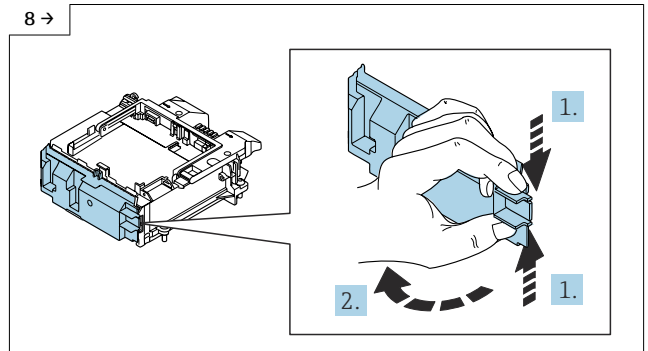
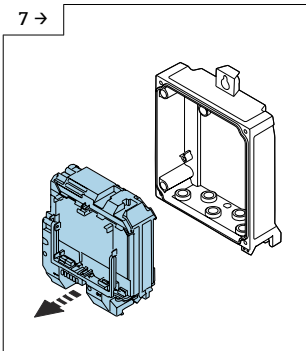
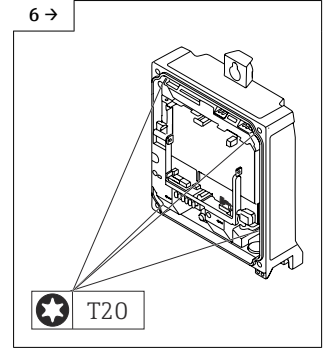
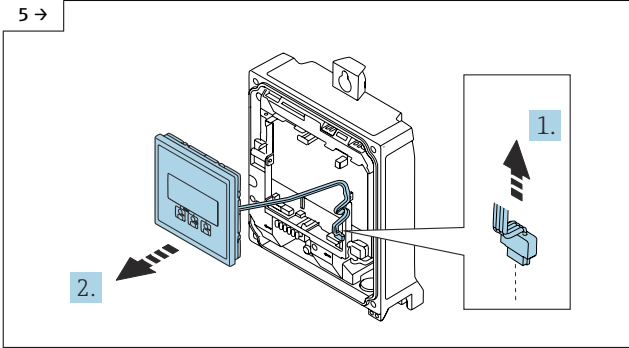
Lebensgefahr durch Stromschlag.

► Messgerät nur im spannungslosen Zustand öffnen.

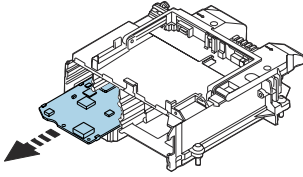
 Den vorhandenen T-DAT aus dem bestehenden Messumformer herausziehen (siehe Bild unten) und den T-DAT in den neuen Messumformer einstecken.

 Die Steckplätze der I/O Platinen müssen vor dem Ausbau notiert werden.

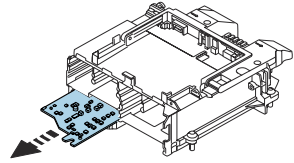




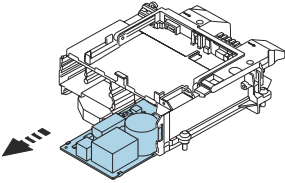
10 →



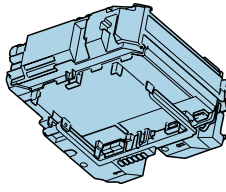
11 →



12 →




13

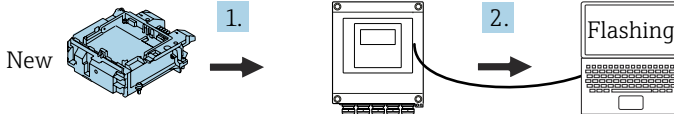


#### 12.4.1 Zusammenbau Messumformergehäuse mit neuer Nutzerschnittstellenleiterplatte

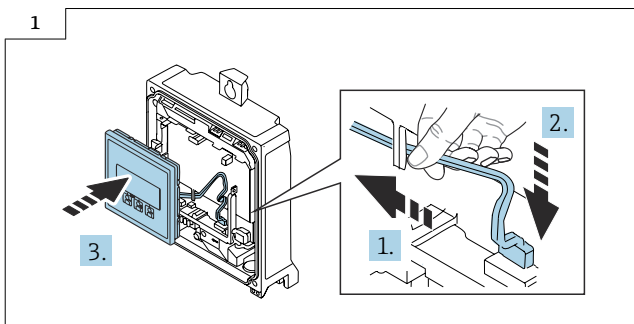
Der Zusammenbau erfolgt in umgekehrter Reihenfolge. Folgendes ist zu beachten:

**i** Die neue Nutzerschnittstellenleiterplatte muss vor Inbetriebnahme des Geräts geflasht werden. Detaillierte Angaben Kapitel 13 →  56.

1



- i** Beim Zusammenbau das Flachbandkabel des Anzeigemoduls unter der Lasche durchführen wie im Bild unten beschrieben.



- i** Detaillierte Angaben zum elektrischen Anschluss: Kapitel "Elektrischer Anschluss", Betriebsanleitung zum Gerät.
- b** Detaillierte Angaben zur Inbetriebnahme: Kapitel "Inbetriebnahme", Betriebsanleitung zum Gerät.

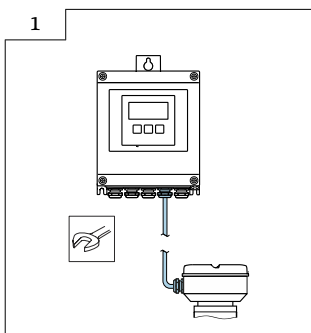
## 12.5 Ausbau Messumformergehäuse

### **⚠ VORSICHT**

#### Messgerät unter Spannung!

Lebensgefahr durch Stromschlag.



- Messgerät nur im spannungslosen Zustand öffnen.

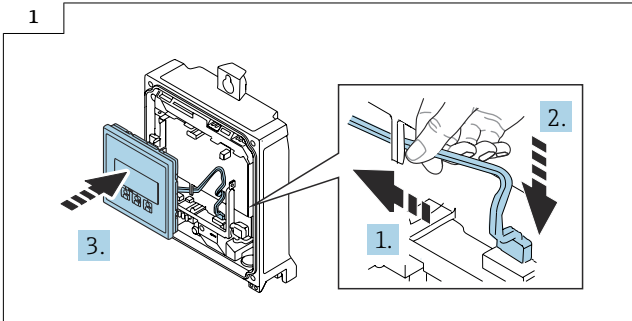





Weiter vorgehen wie in Kap. 11.4 → 50, Bild 1 - 7.

### 12.5.1 Zusammenbau neues Messumformergehäuse

Der Zusammenbau erfolgt in umgekehrter Reihenfolge. Folgendes ist zu beachten:

-  Die Seriennummer und das Typenschild des alten und des neuen Messumformers müssen übereinstimmen.
-  Beim Zusammenbau das Flachbandkabel des Anzeigemoduls unter der Lasche durchführen wie im Bild unten beschrieben.



-  Detaillierte Angaben zum elektrischen Anschluss: Kapitel "Elektrischer Anschluss", Betriebsanleitung zum Gerät.
-  Detaillierte Angaben zur Inbetriebnahme: Kapitel "Inbetriebnahme", Betriebsanleitung zum Gerät.
-  Nicht verwendete Klebeschilder (Beschilderungsbogen) sind zu entsorgen.

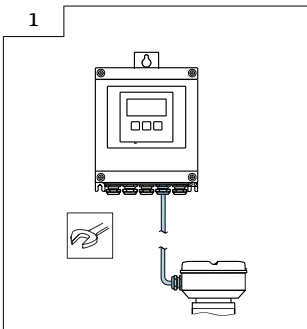
### 12.6 Ausbau Messumformergehäuse mit Nutzerschnittstellenleiterplatte

#### VORSICHT

#### Messgerät unter Spannung!

Lebensgefahr durch Stromschlag.




- ▶ Messgerät nur im spannungslosen Zustand öffnen.

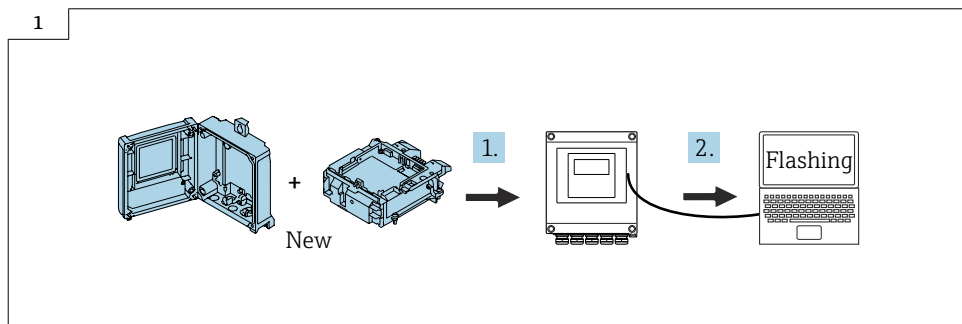



Weiter vorgehen wie in Kapitel 11.4 →  50, Bild 1 - 12.

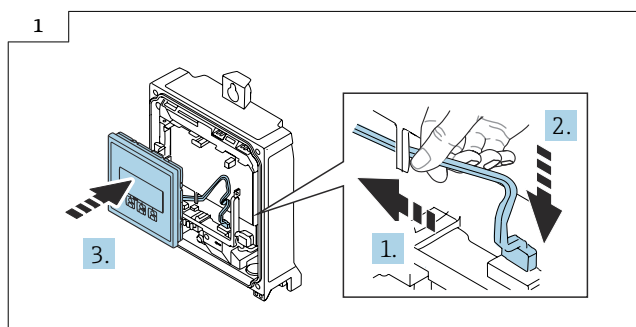
### 12.6.1 Zusammenbau neues Messumformergehäuse mit neuer Nutzerschnittstellenleiterplatte




Der Zusammenbau erfolgt in umgekehrter Reihenfolge. Folgendes ist zu beachten:

-  Die Seriennummer und das Typenschild des alten und des neuen Messumformers müssen übereinstimmen.
-  Die neue Nutzerschnittstellenleiterplatte muss vor Inbetriebnahme des Geräts geflasht werden. Detaillierte Angaben Kapitel 13 →  56.



-  Beim Zusammenbau das Flachbandkabel des Anzeigemoduls unter der Lasche durchführen wie im Bild unten beschrieben.



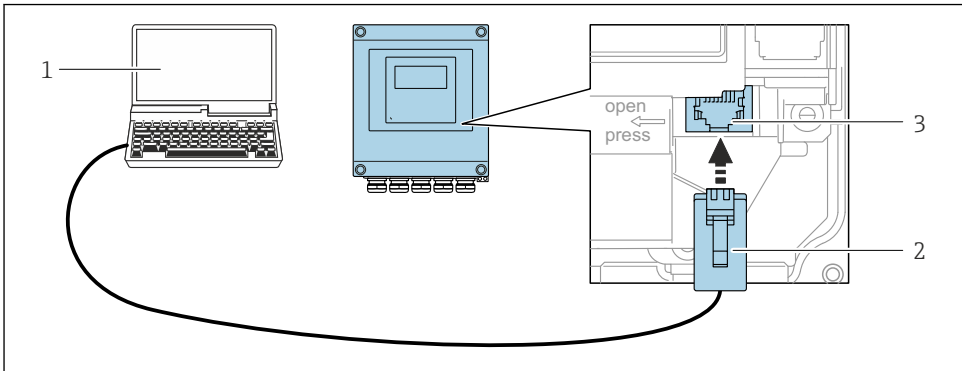
-  Detaillierte Angaben zum elektrischen Anschluss: Kapitel "Elektrischer Anschluss", Betriebsanleitung zum Gerät.
-  Detaillierte Angaben zur Inbetriebnahme: Kapitel "Inbetriebnahme", Betriebsanleitung zum Gerät.
-  Nicht verwendete Klebeschilder (Beschilderungsbogen) sind zu entsorgen.

## 13 Flashen der Firmware

### 13.1 Ermitteln der aktuellen Firmware im CER

**i** Durch Eingabe der Seriennummer des Messgeräts im CER kann die ausgelieferte Gerätefirmware ermittelt werden. Über den Reiter "Geräteintegration" kann die benötigte Gerätefirmware heruntergeladen oder der Updateverlauf bestehender Gerätefirmware eingesehen werden.

### 13.2 Benötigte Komponenten



**4** Anschluss via Serviceschnittstelle (CDI-RJ45)

- 1 Computer mit Bedientool "FieldCare", "DeviceCare" mit COM DTM "CDI Kommunikation TCP/IP"
- 2 Standard-Ethernet-Verbindungskabel mit RJ45-Stecker
- 3 Serviceschnittstelle (CDI-RJ45) des Messgeräts

**i** Detaillierte Angaben zum Flashen der Firmware: Kapitel "Flashen der Firmware", Servicehandbuch zum Gerät.

### 13.3 Neustart und Flashen des Messgerätes

**i** Nach dem Neustart bleibt das Gerät im Bootloader Modus, da auf dem Gerätespeicher keine Firmware enthalten ist. Der Webserver ist im Bootloader Modus nicht einsatzfähig.

**i** Das Gerät verwendet die Standard IP Adresse 192.168.1.212 Um das Gerät zu flashen, wie folgt vorgehen:

1. FieldCare oder DeviceCare nutzen (flash modul "CDI Kommunikation TCP/IP")
2. IP-Adresse des Laptops so einrichten, dass sie mit der Standard-IP des Geräts (192.168.1.212) funktioniert.
3. Die entsprechende Flash-Datei aus DIM (Device Integration Manager) herunterladen.
4. Gerät flashen (direkt über "Browse"-Taste)





### **Probleme beim Flashen beheben**

Wenn Probleme beim Flashen auftreten, vor erneutem Flashen den T-DAT abziehen. Nach erfolgreichem Flashvorgang den T-DAT wieder aufstecken.

## **14 Entsorgung**



Gemäß der Richtlinie 2012/19/EU über Elektro- und Elektronik-Altgeräte (WEEE) ist das Produkt mit dem abgebildeten Symbol gekennzeichnet, um die Entsorgung von WEEE als unsortierten Hausmüll zu minimieren. Gekennzeichnete Produkte nicht als unsortierter Hausmüll entsorgen, sondern zu den gültigen Bedingungen an den Hersteller zurückgeben.







71649695

[www.addresses.endress.com](http://www.addresses.endress.com)

---