



Brief Operating Instructions HAW566

Surge Protective Device for DIN rail according to EN 60715

The following document types are available on the product pages and in the download area of the Endress+Hauser website www.endress.com :

- Technical Information (TI)
- Brief Operating Instructions (KA)
- Safety Instructions (XA)
- Supplementary device-dependent documentation (SD/FY)

Safety instructions

The device may only be connected and installed by an electrically skilled person. National or local standards and safety regulations must be observed. The device must be checked for external damage prior to installation. If any damage or other faults are detected in this check, the device must not be installed or put into operation.

Its use is only permitted within the limits shown and stated in these installation instructions. The device and the equipment connected to can be destroyed by

loads exceeding the values stated. Opening or otherwise tampering with the device invalidates the warranty.

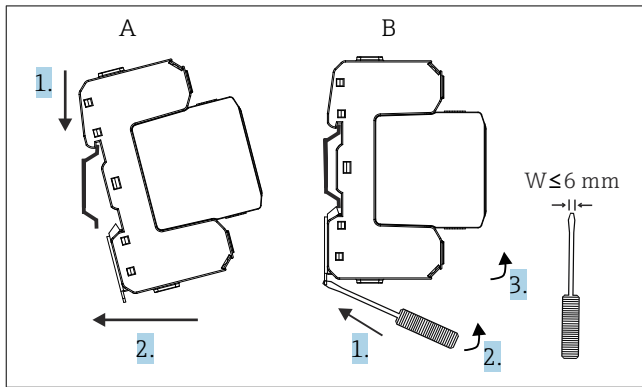
Special conditions:

- The connection between the enclosure of the terminal equipment and local mass must have a minimum cross-section of 4 mm².
- All earth connections must be secured.

Mounting

Mounting the device

The device must be reliable grounding when it is used. Installation on 35 mm top hat DIN rail. It is recommended to use copper or steel rail.



Device installation procedure (A):

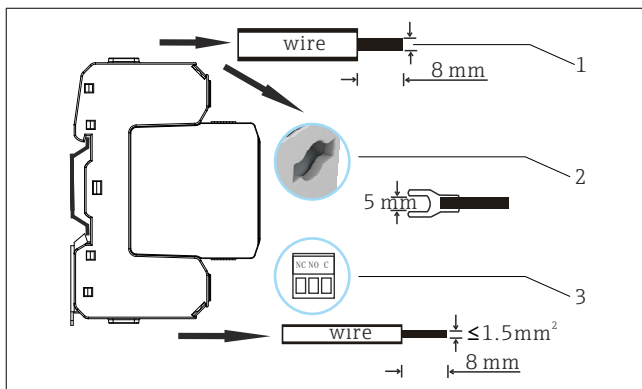
1. Make sure that the top of the device snaps into the rail at the top.
2. Push the bottom of the device into the rail.

Disassembly

Procedure of disassembly (B):

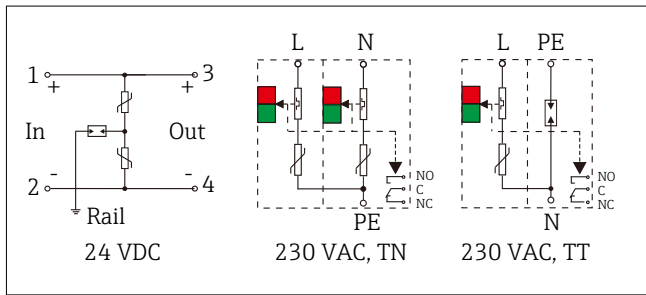
1. Insert a screwdriver into the downside lock of the device.
2. Push the screwdriver downwards and then make the device buckle out of the rail.
3. Take the device out of the rail.

Electrical connection for power lines

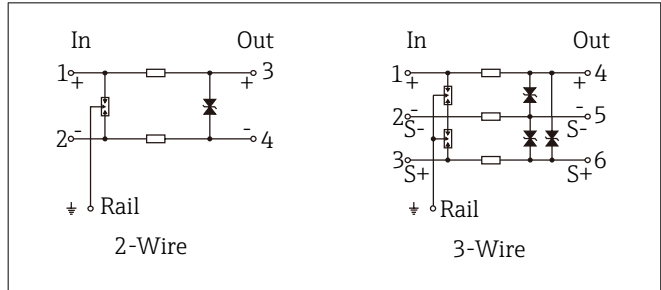
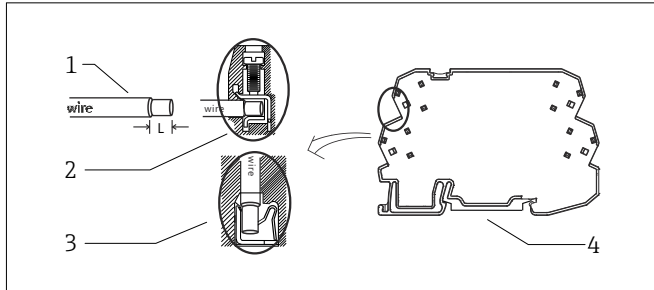


1 Connection wire for single strand: 3 to 13 AWG (cross-sectional area: 2.5 to 25 mm²)

- 1 Connection wire for multi strand: 5 to 11 AWG (cross-sectional area: 4 to 16 mm²)
- 2 2,5 mm U-shaped terminals could be used for redundant wire terminals
- 3 The single or multi strand cable with a cross-sectional area ≤ 1.5 mm² could be connected to the remote signaling terminals.



Electrical connection for signal lines



- 1 Connection wire: 13 to 24 AWG (cross-sectional area: 0.2 to 2.5 mm²)
- 2 Connection type: M2.5 screw wiring; Wire stripping length: 8 to 9 mm
- 3 Connection type: push-in wiring; Wire stripping length: 10 to 11 mm
- 4 Cross-sectional area of rail grounding wire: 4 to 6 mm²

1 HAW566 internal circuitry for signal lines


Maintenance and cleaning

No special maintenance work is required for the device.

A clean, dry cloth can be used to clean the device.

Environmental Declaration

Name and content of harmful substances

Part Name	Harmful Substance					
	PB	Hg	Cd	Cr6+	PBB	PBDE
Housing and terminals	X	O	O	O	O	O
Circuit board	X	O	O	O	O	O
O	Indicates that said hazardous substance contained in all of the homogeneous materials for this part is below the limit requirement of GB / T 26572.					
X	Indicates that said hazardous substance contained in at least one of the homogeneous materials used for this part is above the limit requirement of GB / T 26572 and there is currently no mature alternative method in the industry. The concentration of hazardous substances is within the RoHS directive exemption clauses range, which meets the eco-friendly requirements of the EU RoHS directive."					
 A0034844	"Indicates that the product contains certain toxic and harmful substances, and it can be used within the eco-friendly period, and should enter the recycling system after the environment protection is exceeded."					
This form is prepared in accordance with the provisions of SJ / T11364.						

Name and address of manufacturer

Name of manufacturer:	Endress+Hauser Wetzler (Suzhou) Co. Ltd.
Address of manufacturer:	China-Singapore-Suzhou Industry Park (SIP), 31 Jiang-Tian-Li-lu, JiangSu Province, Suzhou 215126, China or www.endress.com