

Dual Label – Fact Sheet

OTMT72 / F20222

The Endress+Hauser Dual Label version is a great way to personalize our products in a simple way.

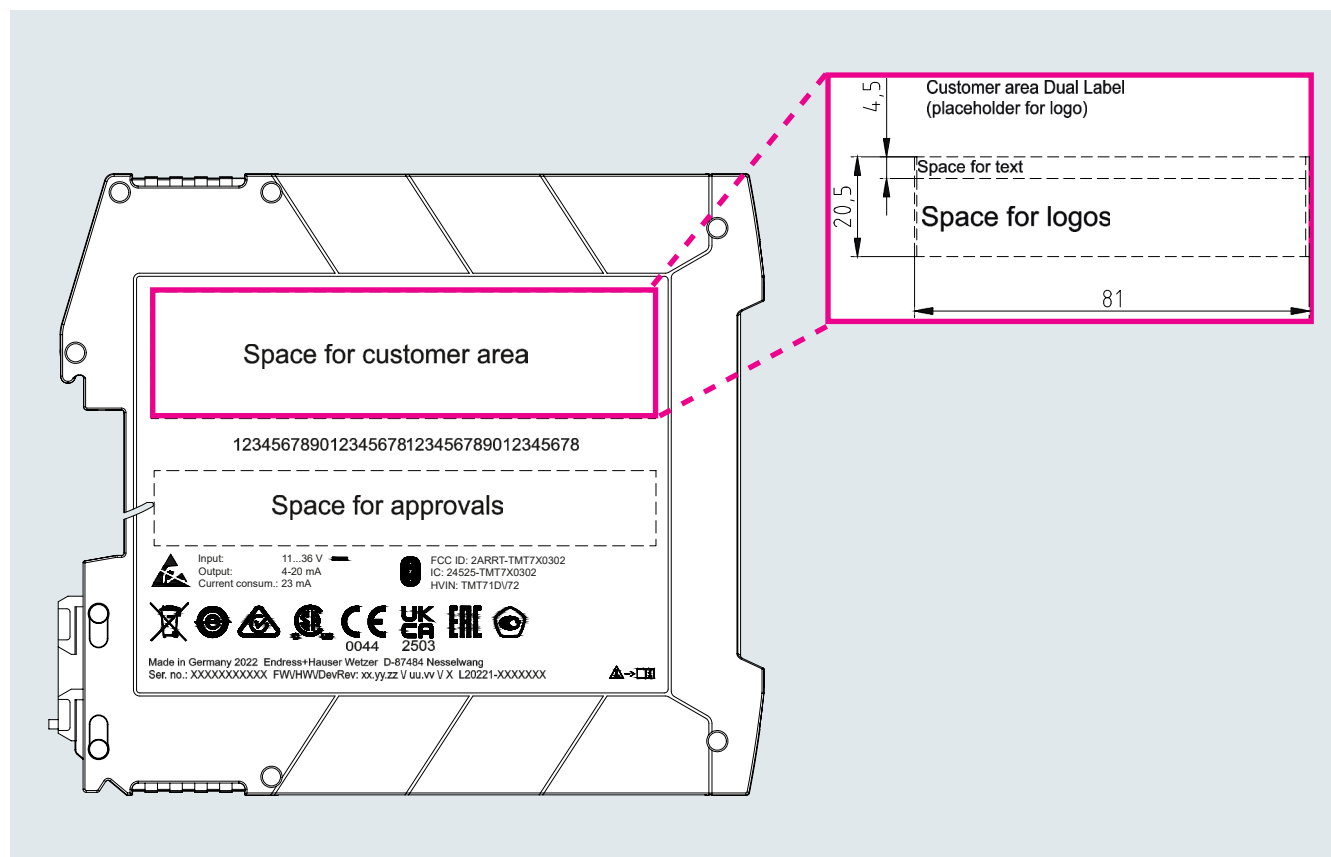
For the Dual Label version a generic product with standardized design and Endress+Hauser approvals is provided with a dedicated space on the nameplate for your additional customer and sales information.



Area for customer information on the nameplate

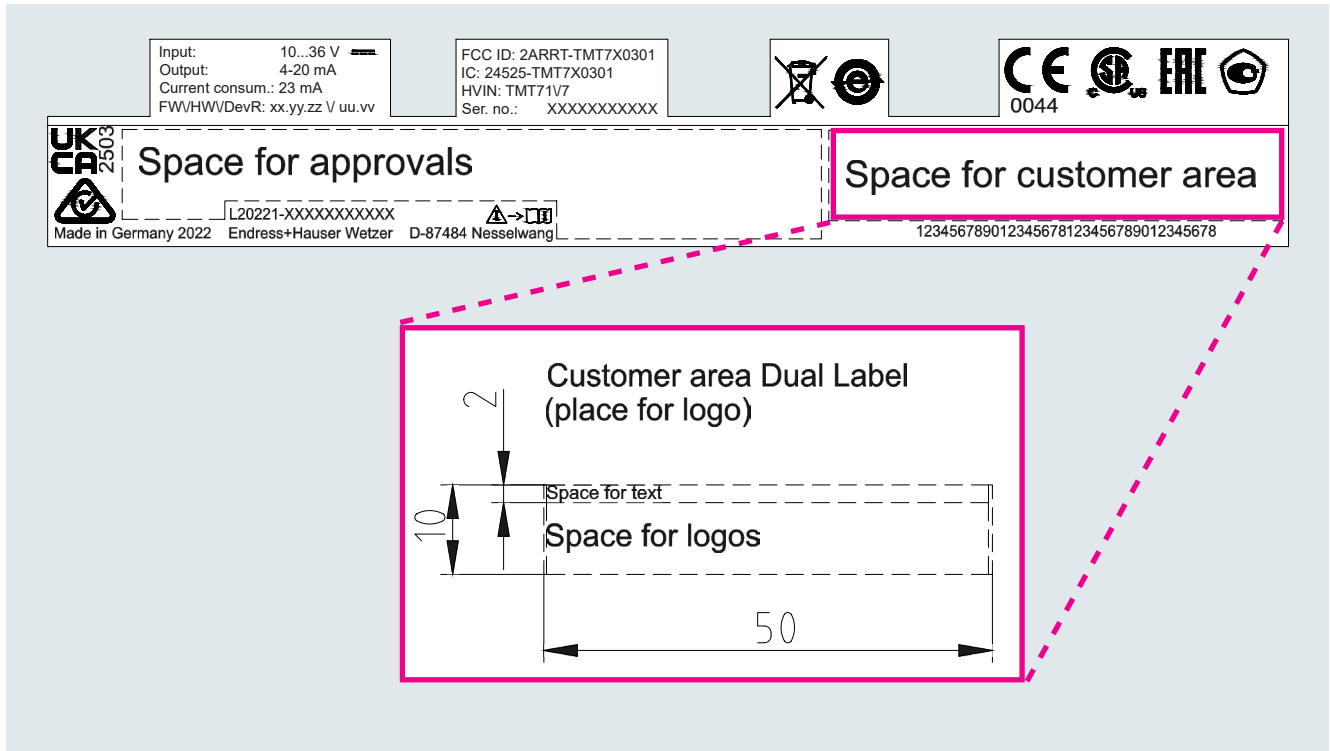
DIN Rail:

Dimensions of customer area: 81 mm x 16 mm



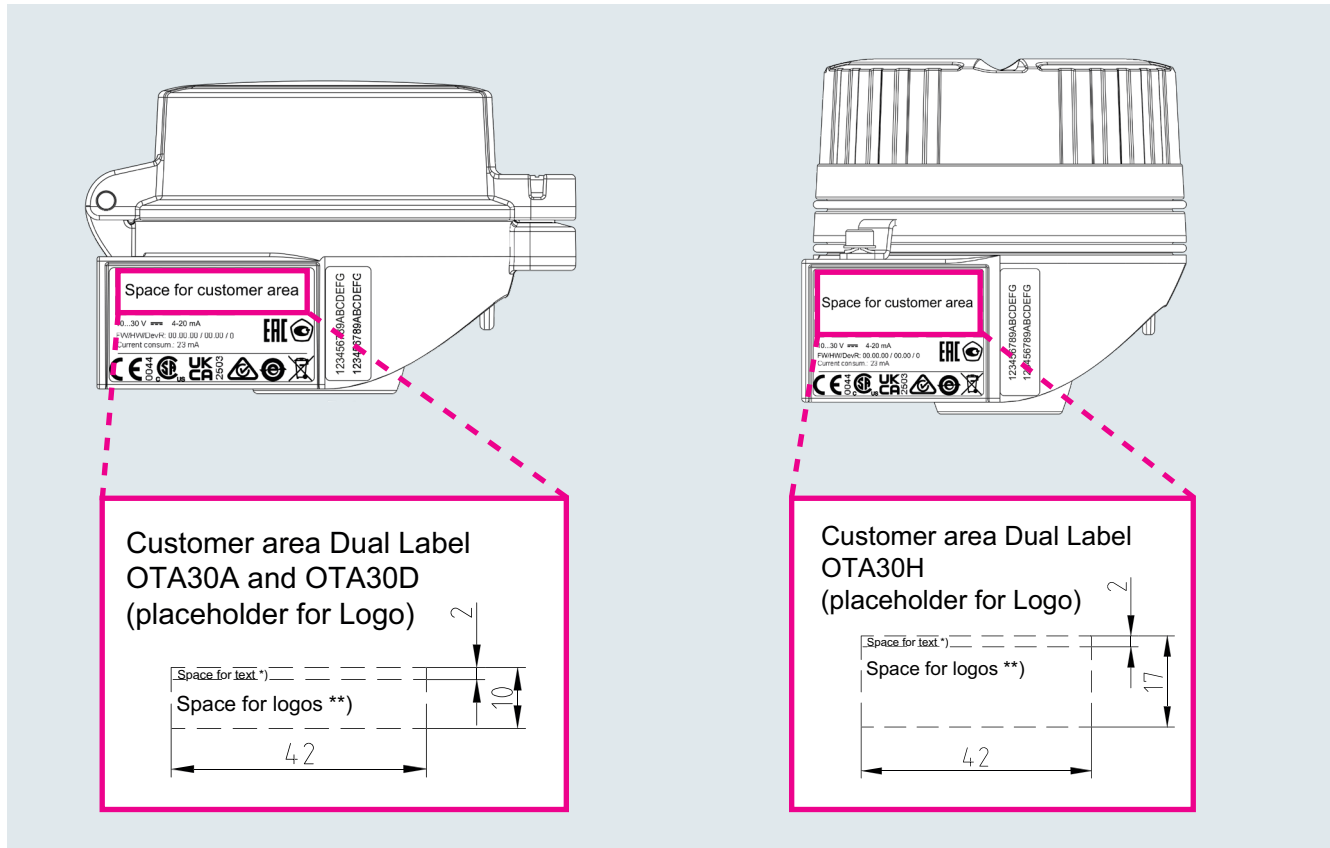
Head transmitter:

Dimensions of customer area: 50 mm x 8 mm



Field transmitter:

Dimensions of customer area: 42 mm x 8 mm / 42 mm x 15 mm



General information

Description	Examples
Space for text:	Selection possible between: „Distributed by:“ or/and „Logistics:“ or/and „Part#“ or/and „Tech Support:“
Space for logos:	<ul style="list-style-type: none">▪ Logos▪ Company names▪ Item numbers▪ Fixed values▪ QR Codes with fixed content (min. 7x7 mm)
Color, Lasering:	Black, monochrome
Standard text font:	Arial
Allowed document types of your content:	<ul style="list-style-type: none">▪ .svg▪ .eps▪ .dwg▪ .dxf▪ .cdr▪ .pdf