

# Dual Label – Fact Sheet

OTMT71 / F20221

The Endress+Hauser Dual Label version is a great way to personalize our products in a simple way.

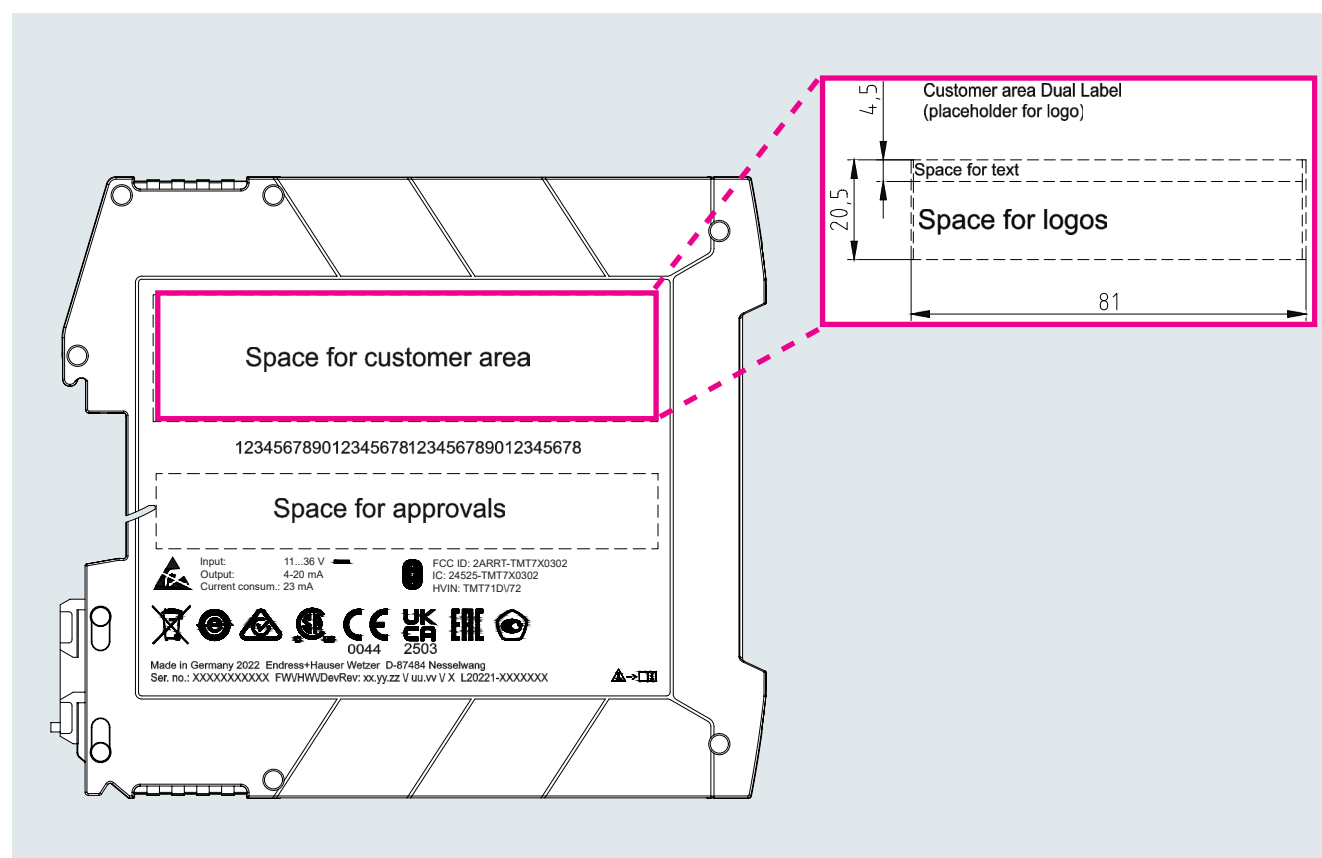
For the Dual Label version a generic product with standardized design and Endress+Hauser approvals is provided with a dedicated space on the nameplate for your additional customer and sales information.



## Area for customer information on the nameplate

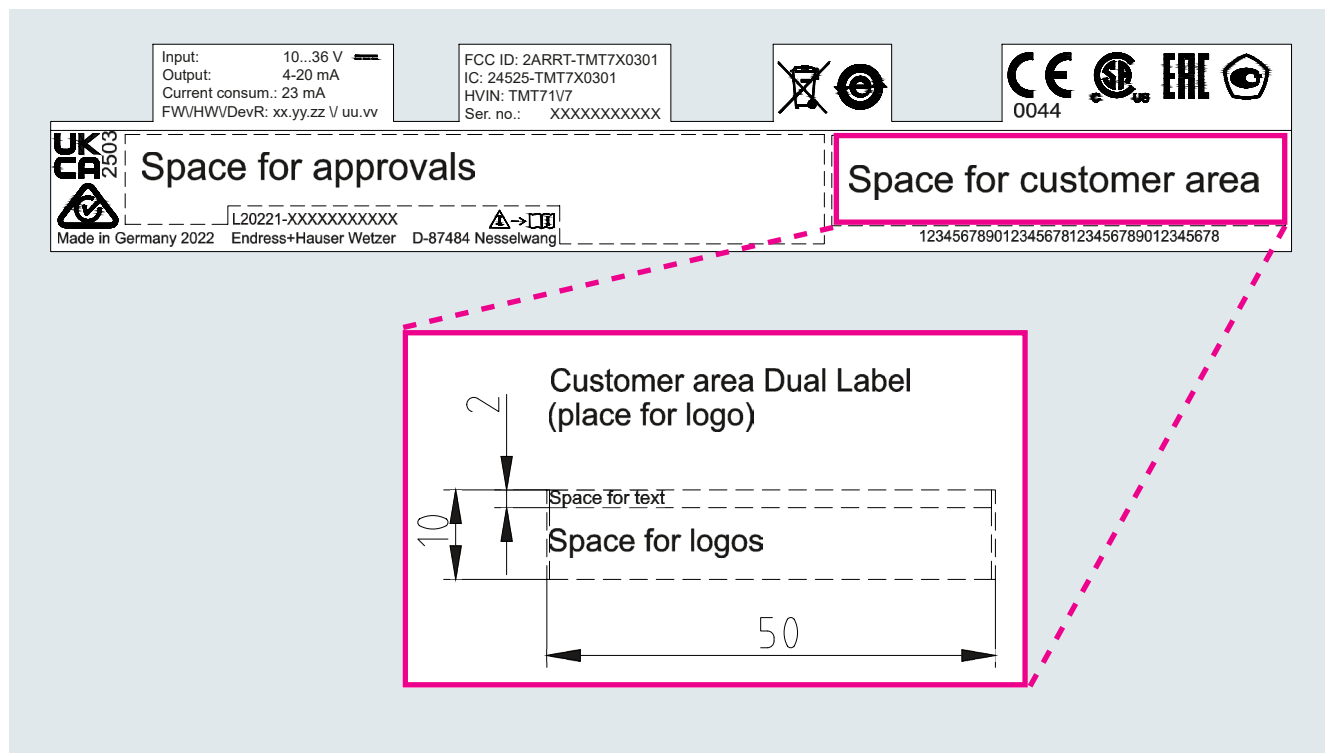
### DIN Rail:

Dimensions of customer area: 81 mm x 16 mm



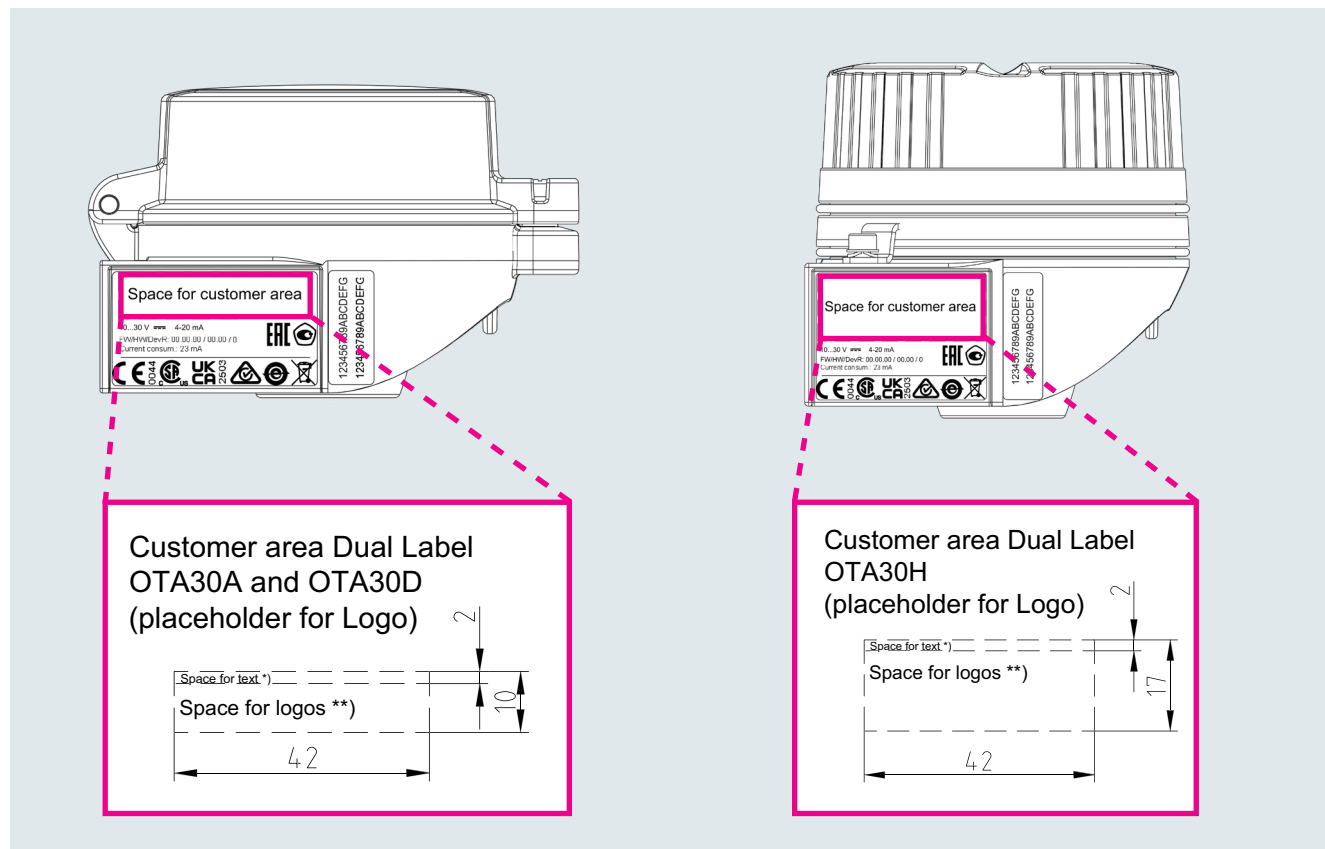
### Head transmitter:

Dimensions of customer area: 50 mm x 8 mm



### Field transmitter:

Dimensions of customer area: 42 mm x 8 mm / 42 mm x 15 mm



## General information

Description	Examples
Space for text:	Selection possible between: „Distributed by:“ or/and „Logistics:“ or/and „Part#“ or/and „Tech Support:“
Space for logos:	<ul style="list-style-type: none"><li>▪ Logos</li><li>▪ Company names</li><li>▪ Item numbers</li><li>▪ Fixed values</li><li>▪ QR Codes with fixed content (min. 7x7 mm)</li></ul>
Color, Lasering:	Black, monochrome
Standard text font:	Arial
Allowed document types of your content:	<ul style="list-style-type: none"><li>▪ .svg</li><li>▪ .eps</li><li>▪ .dwg</li><li>▪ .dxf</li><li>▪ .cdr</li><li>▪ .pdf</li></ul>