

Operating Instructions

Liquiline CM442R/CM444R/ CM448R

Universal four-wire multichannel controller
Cabinet installation






Table of contents

| | | | | | |
|----------|---|-----------|-----------|---|------------|
| 1 | About this document | 5 | 8.3 | Configuration options | 46 |
| 1.1 | Warnings | 5 | 9 | Commissioning | 48 |
| 1.2 | Symbols | 5 | 9.1 | Function check | 48 |
| 1.3 | Symbols on the device | 5 | 9.2 | Power-up | 48 |
| 1.4 | Documentation | 6 | 9.3 | User definable screens | 49 |
| 2 | Basic safety instructions | 7 | 9.4 | Basic setup | 50 |
| 2.1 | Requirements of the personnel | 7 | 10 | Operation | 51 |
| 2.2 | Intended use | 7 | 10.1 | Display | 51 |
| 2.3 | Workplace safety | 8 | 10.2 | General settings | 53 |
| 2.4 | Operational safety | 8 | 10.3 | Current inputs | 67 |
| 2.5 | Product safety | 9 | 10.4 | Outputs | 67 |
| 3 | Device description | 10 | 10.5 | Binary inputs and outputs | 77 |
| 3.1 | Standard device | 10 | 10.6 | Additional functions | 83 |
| 3.2 | device with sensor communication module type 2DS Ex-i | 11 | 11 | Calibration | 116 |
| 3.3 | Slot and port assignment | 12 | 12 | Diagnosis and troubleshooting | 117 |
| 3.4 | Terminal diagram | 13 | 12.1 | General troubleshooting | 117 |
| 4 | Incoming acceptance and product identification | 14 | 12.2 | Diagnostic information on local display (optional) | 118 |
| 4.1 | Incoming acceptance | 14 | 12.3 | Diagnostic information via web browser | 118 |
| 4.2 | Product identification | 14 | 12.4 | Diagnostic information via fieldbus | 118 |
| 4.3 | Scope of delivery | 15 | 12.5 | Adapting the diagnostic information | 118 |
| 5 | Mounting | 16 | 12.6 | Overview of diagnostic information | 120 |
| 5.1 | Mounting requirements | 16 | 12.7 | Pending diagnostic messages | 125 |
| 5.2 | Mounting the measuring device | 20 | 12.8 | Diagnostics list | 125 |
| 5.3 | Post-mounting check | 23 | 12.9 | Event logbook | 125 |
| 6 | Electrical connection | 24 | 12.10 | Simulation | 128 |
| 6.1 | Connection conditions | 24 | 12.11 | Device test | 129 |
| 6.2 | Connecting the measuring device | 24 | 12.12 | Resetting the measuring device | 130 |
| 6.3 | Connecting the sensors | 28 | 12.13 | Device information | 131 |
| 6.4 | Connecting additional inputs, outputs or relays | 31 | 12.14 | Firmware history | 134 |
| 6.5 | Connecting PROFIBUS DP or Modbus RS 485 . | 35 | 13 | Maintenance | 137 |
| 6.6 | Hardware settings | 37 | 13.1 | Cleaning | 137 |
| 6.7 | Ensuring the degree of protection | 38 | 14 | Repair | 139 |
| 6.8 | Post-connection check | 39 | 14.1 | General notes | 139 |
| 7 | System integration | 40 | 14.2 | Spare parts | 139 |
| 7.1 | Web server | 40 | 14.3 | Return | 139 |
| 7.2 | Service interface | 42 | 14.4 | Disposal | 139 |
| 7.3 | Fieldbus systems | 43 | 15 | Accessories | 140 |
| 8 | Operation options | 44 | 15.1 | Device-specific accessories | 140 |
| 8.1 | Overview | 44 | 15.2 | Communication-specific accessories | 145 |
| 8.2 | Access to operating menu via local display ... | 45 | 15.3 | Service-specific accessories | 146 |
| | | | 15.4 | System components | 148 |
| | | | 15.5 | Other accessories | 148 |









| | | |
|--------------------|-----------------------------------|------------|
| 16 | Technical data | 149 |
| 16.1 | Input | 149 |
| 16.2 | Digital inputs, passive | 150 |
| 16.3 | Current input, passive | 150 |
| 16.4 | Output | 150 |
| 16.5 | Digital outputs, passive | 152 |
| 16.6 | Current outputs, active | 152 |
| 16.7 | Relay outputs | 153 |
| 16.8 | Protocol-specific data | 154 |
| 16.9 | Energy supply | 157 |
| 16.10 | Performance characteristics | 158 |
| 16.11 | Environment | 158 |
| 16.12 | Mechanical construction | 161 |
| Index | | 163 |

1 About this document

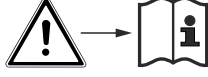

1.1 Warnings

| Structure of information | Meaning |
|---|--|
|  DANGER Causes (/consequences) If necessary, Consequences of non-compliance (if applicable) <ul style="list-style-type: none"> ▶ Corrective action | This symbol alerts you to a dangerous situation. Failure to avoid the dangerous situation will result in a fatal or serious injury. |
|  WARNING Causes (/consequences) If necessary, Consequences of non-compliance (if applicable) <ul style="list-style-type: none"> ▶ Corrective action | This symbol alerts you to a dangerous situation. Failure to avoid the dangerous situation can result in a fatal or serious injury. |
|  CAUTION Causes (/consequences) If necessary, Consequences of non-compliance (if applicable) <ul style="list-style-type: none"> ▶ Corrective action | This symbol alerts you to a dangerous situation. Failure to avoid this situation can result in minor or more serious injuries. |
| NOTICE Cause/situation If necessary, Consequences of non-compliance (if applicable) <ul style="list-style-type: none"> ▶ Action/note | This symbol alerts you to situations which may result in damage to property. |

1.2 Symbols

| Symbol | Meaning |
|---|-----------------------------------|
|  | Additional information, tips |
|  | Permitted or recommended |
|  | Recommended |
|  | Not permitted or not recommended |
|  | Reference to device documentation |
|  | Reference to page |
|  | Reference to graphic |
|  | Result of a step |

1.3 Symbols on the device

| Symbol | Meaning |
|---|---|
|  | Reference to device documentation |
|  | Do not dispose of products bearing this marking as unsorted municipal waste. Instead, return them to the manufacturer for disposal under the applicable conditions. |

1.4 Documentation


The following manuals complement these Operating Instructions and are available on the product pages on the Internet:

- Brief Operating Instructions for Liquiline CM44xR, KA01160C
- Operating Instructions for Memosens, BA01245C
 - Software description for Memosens inputs
 - Calibration of Memosens sensors
 - Sensor-specific diagnostics and troubleshooting
- Operating Instructions for HART communication, BA00486C
 - Onsite settings and installation instructions for HART
 - Description of HART driver
- Guidelines for communication via fieldbus and web server
 - HART, SD01187C
 - PROFIBUS, SD01188C
 - Modbus, SD01189C
 - Web server, SD01190C
 - EtherNet/IP, SD01293C
 - PROFINET, SD02490C

2 Basic safety instructions

2.1 Requirements of the personnel

- Installation, commissioning, operation and maintenance of the measuring system may be carried out only by specially trained technical personnel.
- The technical personnel must be authorized by the plant operator to carry out the specified activities.
- The electrical connection may be performed only by an electrical technician.
- The technical personnel must have read and understood these Operating Instructions and must follow the instructions contained therein.
- Faults at the measuring point may only be rectified by authorized and specially trained personnel.

 Repairs not described in the Operating Instructions provided must be carried out only directly at the manufacturer's site or by the service organization.

2.2 Intended use

2.2.1 Non-hazardous environment

Liquiline CM44xR is a multichannel controller for connecting digital sensors with Memosens technology in non-hazardous environments.

The device is designed for use in the following applications:

- Food and beverages
- Life science
- Water and wastewater
- Chemical industry
- Power stations
- Other industrial applications

2.2.2 Hazardous environment

- ▶ Pay attention to the information in the relevant documents relating to safety instructions (XA).

2.2.3 Non-intended use and improper use

NOTICE

Objects stored on top of the housing

May cause short-circuits or fire or result in the failure of individual cabinet components or complete failure of the measuring point!

- ▶ Never place any objects, such as tools, cables, paper, food, liquid containers or similar, on top of the housing.
- ▶ Always observe the operator's regulations, in particular with regard to fire safety (smoking) and foodstuffs (beverages).

Use of the device for any purpose other than that described, poses a threat to the safety of people and of the entire measuring system and is therefore not permitted.

The manufacturer is not liable for damage caused by improper or non-designated use.

2.2.4 Installation environment

The device and the associated power units can be operated with 24 V AC, 24 V DC or 100 to 230 V AC and comply with IP20.

The components were designed for pollution degree 2 and for environments with non-condensing moisture. They must therefore be installed in an appropriate enclosure for protection. The ambient conditions specified in the instructions must be observed here.

2.3 Workplace safety

As the user, you are responsible for complying with the following safety conditions:

- Installation guidelines
- Local standards and regulations
- Regulations for explosion protection

Electromagnetic compatibility

- The product has been tested for electromagnetic compatibility in accordance with the applicable international standards for industrial applications.
- The electromagnetic compatibility indicated applies only to a product that has been connected in accordance with these Operating Instructions.

2.4 Operational safety

Before commissioning the entire measuring point:

1. Verify that all connections are correct.
2. Ensure that electrical cables and hose connections are undamaged.
3. Do not operate damaged products, and protect them against unintentional operation.
4. Label damaged products as defective.

During operation:

- ▶ If faults cannot be rectified:
products must be taken out of service and protected against unintentional operation.

CAUTION

Programs not switched off during maintenance activities.

Risk of injury due to medium or cleaning agent!

- ▶ Quit any programs that are active.
- ▶ Switch to the service mode.
- ▶ If testing the cleaning function while cleaning is in progress, wear protective clothing, goggles and gloves or take other suitable measures to protect yourself.

2.5 Product safety

2.5.1 State-of-the-art

The product is designed to meet state-of-the-art safety requirements, has been tested, and left the factory in a condition in which it is safe to operate. The relevant regulations and international standards have been observed.

2.5.2 IT security

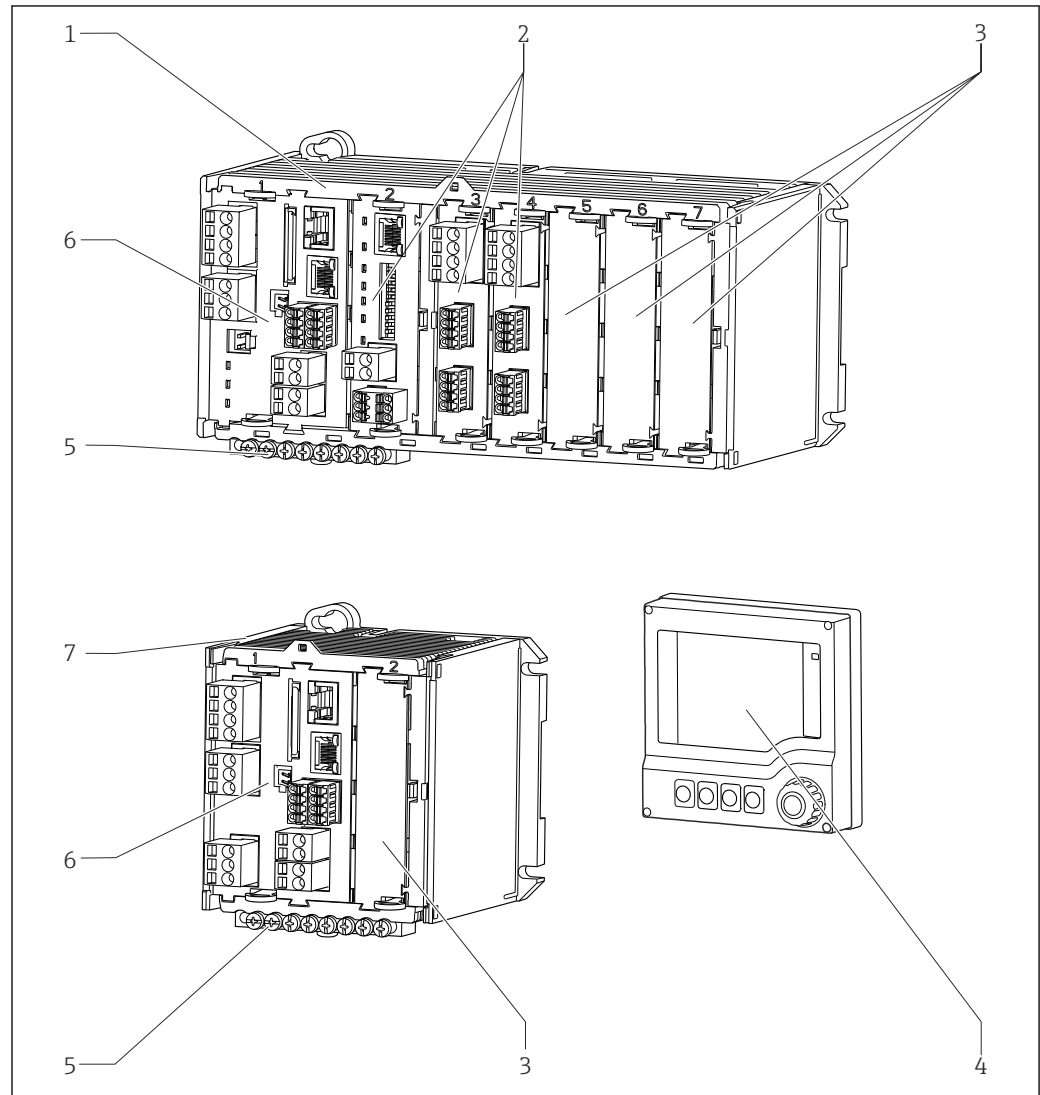
We only provide a warranty if the device is installed and used as described in the Operating Instructions. The device is equipped with security mechanisms to protect it against any inadvertent changes to the device settings.

IT security measures in line with operators' security standards and designed to provide additional protection for the device and device data transfer must be implemented by the operators themselves.

3 Device description

3.1 Standard device

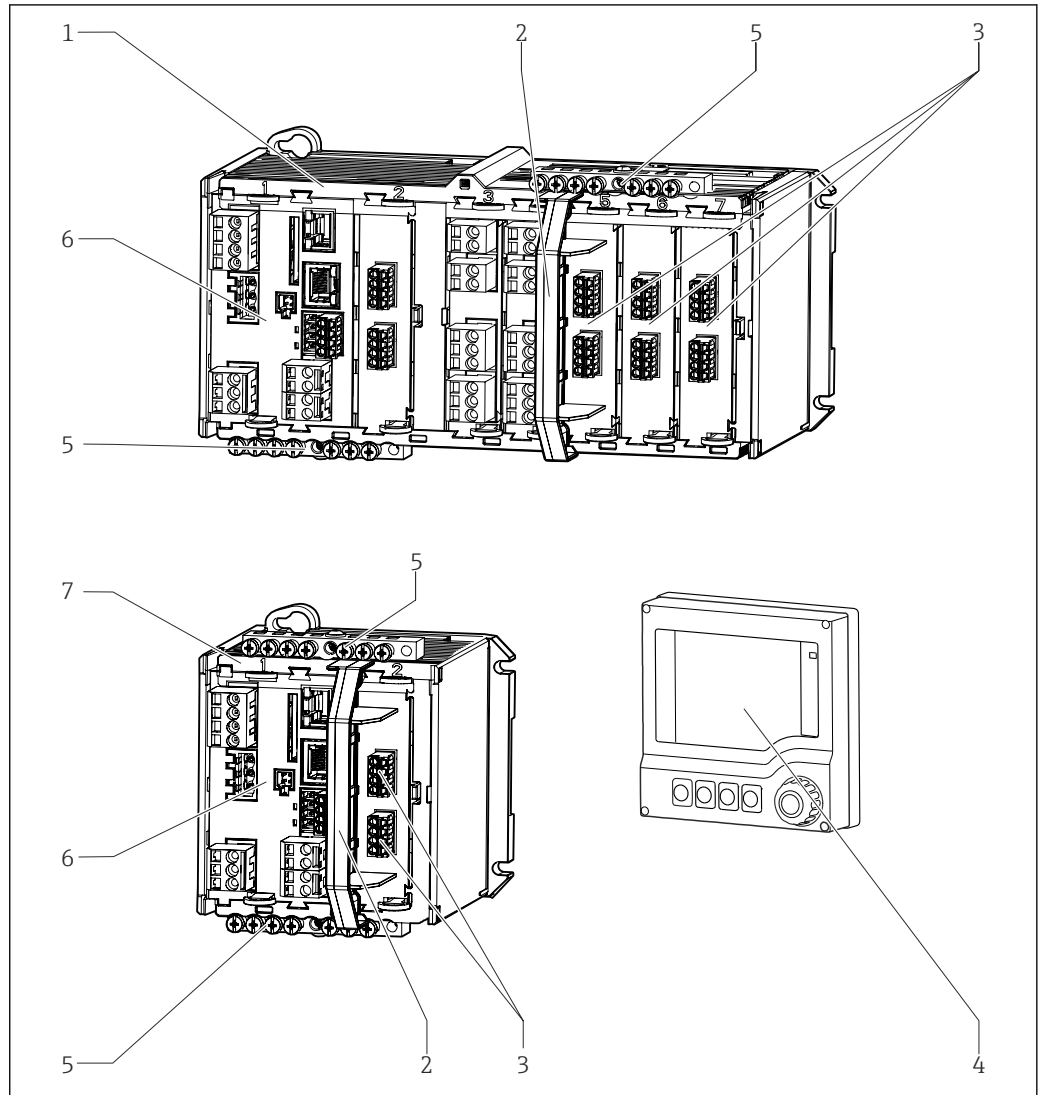
3.1.1 Overview



A0039726

- | | | | |
|---|---|---|---|
| 1 | Device with optional, external display (excluding cables) | 5 | Terminal strip |
| 1 | Four-channel or eight-channel device | 6 | Basic module |
| 2 | Extension modules (optional) | 7 | Two-channel device |
| 3 | Shock protection, dummy module | 8 | External power unit (CM444R or CM448R only) |
| 4 | External display (optional) | | |

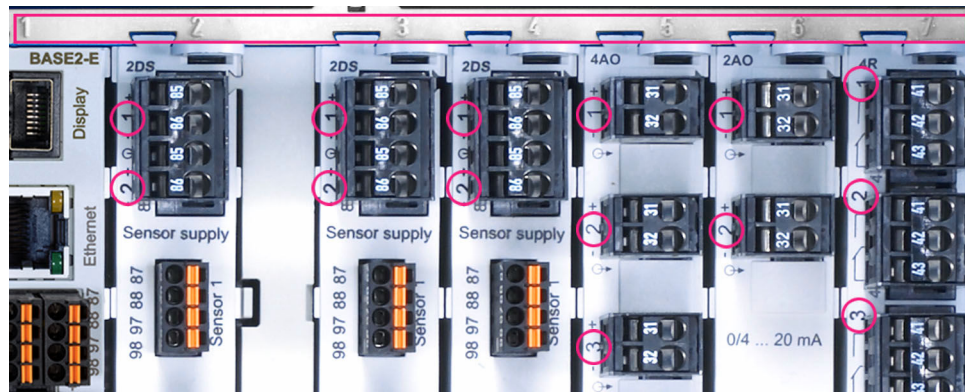
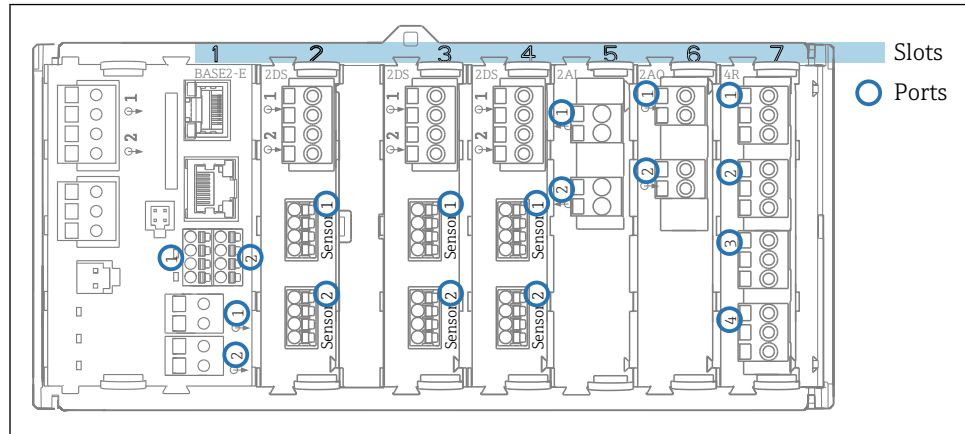
3.2 device with sensor communication module type 2DS Ex-i



A0045299

- | | |
|---|--|
| 2 | Device with sensor communication module type 2DS Ex-i and optional, external display (without cable) |
| 1 | Four-channel or eight-channel device |
| 2 | Disconnection element (pre-installed) |
| 3 | Intrinsically safe sensor connections |
| 4 | External display (optional) |
| 5 | Terminal strip |
| 6 | Base module (sensor connections disabled on hazardous area version) |
| 7 | Two-channel device |
- Not shown in graphic: external power unit (CM444R or CM448R)

3.3 Slot and port assignment



3 Slot and port assignment of the hardware modules

| Outlet 1 | OK |
|-----------------------------------|-----------|
| CH1: 1:1 pH Glass ATC 6.95 pH | Port Slot |
| CH2: 1:2 TU/TS 500.0 g/l | |
| CH3: 5:1 SAC 500.0 1/m | |
| CH4: 5:2 Cond i ATC 2.62 mS/cm | |
| CH5: 6:1 Chlorine 28.33 mg/l | |
| CH6: 6:2 Redox ± 51 mV | |
| CH7: 7:1 Oxygen (am... 32.86 mg/l | |
| CH8: 7:2 Cond c ATC 131.1 µS/cm | |
| MENU CAL DIAG HOLD | |

4 Slot and port assignment on the display

- Inputs are assigned to measuring channels in the ascending order of the slots and ports. Adjacent example: "CH1: 1:1 pH glass" means: Channel 1 (CH1) is slot 1 (basic module) : Port 1 (input 1), pH glass sensor
- Outputs and relays are named according to their function, e.g. "current output", and are displayed in ascending order with the slot and port numbers

3.4 Terminal diagram

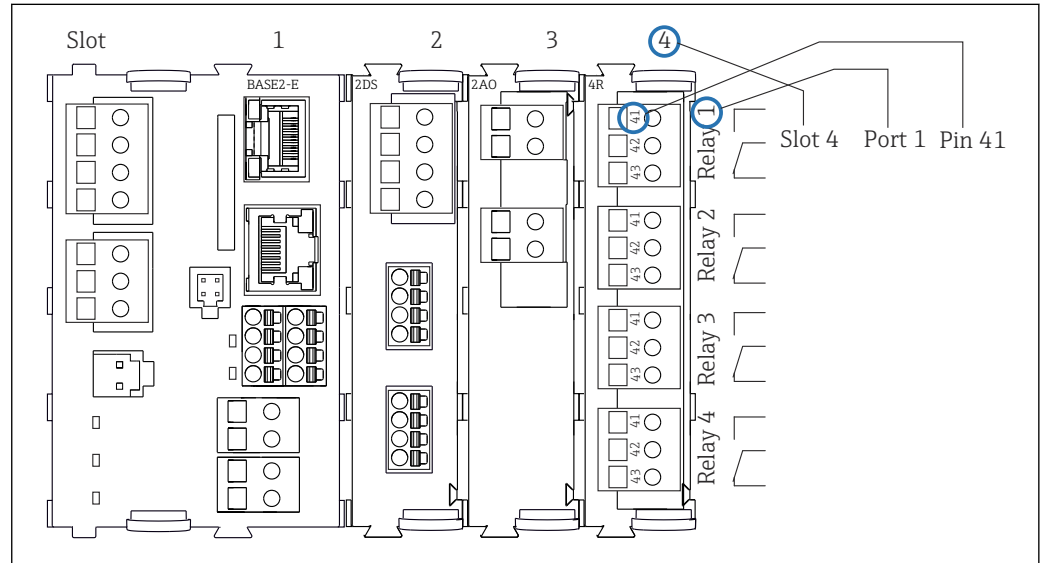
i The unique terminal name is derived from:

Slot no. : Port no. : Terminal

Example, NO contact of a relay

Device with 4 inputs for digital sensors, 4 current outputs and 4 relays

- Base module BASE2-E (contains 2 sensor inputs, 2 current outputs)
- 2DS module (2 sensor inputs)
- 2AO module (2 current outputs)
- 4R module (4 relays)



A0039621

5 Creating a terminal diagram using the example of the NO contact (terminal 41) of a relay

4 Incoming acceptance and product identification

4.1 Incoming acceptance

1. Verify that the packaging is undamaged.
 - ↳ Notify the supplier of any damage to the packaging.
Keep the damaged packaging until the issue has been resolved.
2. Verify that the contents are undamaged.
 - ↳ Notify the supplier of any damage to the delivery contents.
Keep the damaged goods until the issue has been resolved.
3. Check that the delivery is complete and nothing is missing.
 - ↳ Compare the shipping documents with your order.
4. Pack the product for storage and transportation in such a way that it is protected against impact and moisture.
 - ↳ The original packaging offers the best protection.
Make sure to comply with the permitted ambient conditions.

If you have any questions, please contact your supplier or your local Sales Center.

4.2 Product identification

4.2.1 Nameplate

The nameplate provides you with the following information on your device:

- Manufacturer identification
 - Order code
 - Extended order code
 - Serial number
 - Firmware version
 - Ambient conditions
 - Input and output values
 - Activation codes
 - Safety information and warnings
 - Degree of protection
- ▶ Compare the information on the nameplate with the order.

4.2.2 Identifying the product

Product page

www.endress.com/cm442r

www.endress.com/cm444r

www.endress.com/cm448r

Interpreting the order code

The order code and serial number of your product can be found in the following locations:

- On the nameplate
- In the delivery papers

Obtaining information on the product

1. Go to www.endress.com.
2. Page search (magnifying glass symbol): Enter valid serial number.
3. Search (magnifying glass).
 - ↳ The product structure is displayed in a popup window.
4. Click the product overview.
 - ↳ A new window opens. Here you fill information pertaining to your device, including the product documentation.

Manufacturer address

Endress+Hauser Conducta GmbH+Co. KG
Dieselstraße 24
70839 Gerlingen
Germany

4.3 Scope of delivery

The scope of delivery comprises:

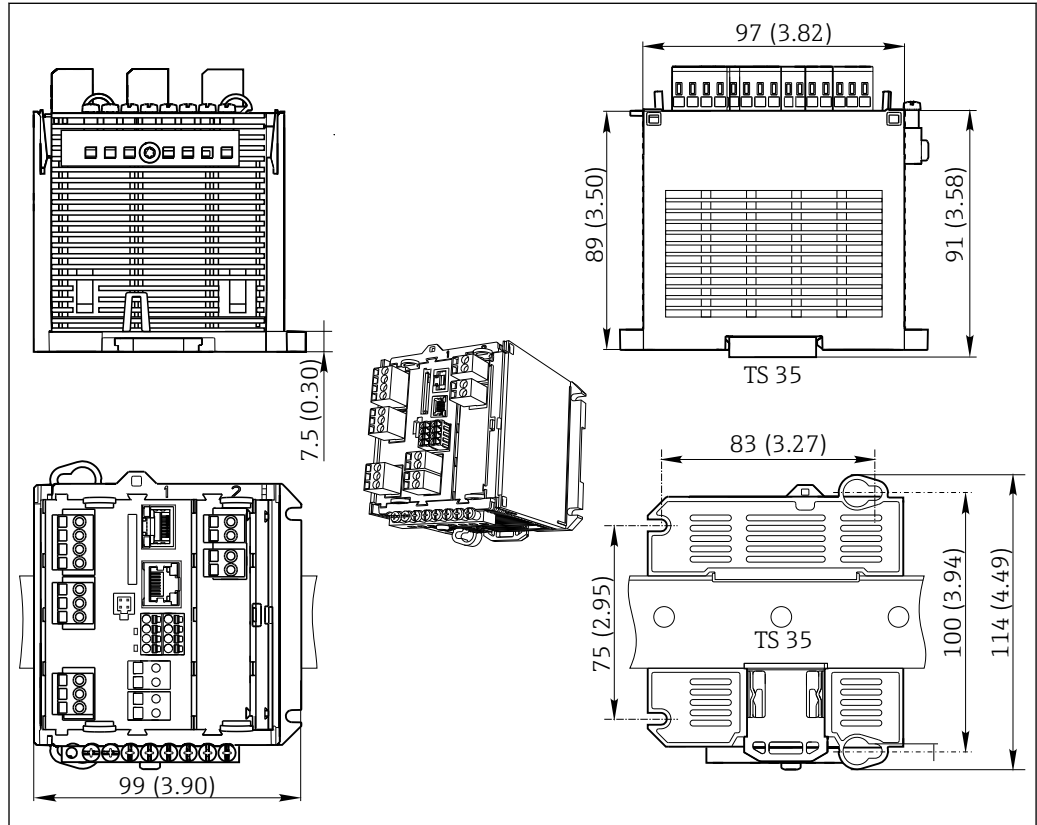
- 1 multichannel controller in the version ordered
 - 1 mounting plate
 - 1 external display (if selected as an option) ¹⁾
 - 1 DIN rail power unit incl. cable (CM444R and CM448R only)
 - 1 printed copy of the Operating Instructions for the DIN rail power unit
 - 1 printed copy of the Brief Operating Instructions in the language ordered
 - Separation element (pre-installed on hazardous area version type 2DS Ex-i)
 - Safety instructions for the hazardous area (for hazardous area version type 2DS Ex-i)
 - Terminal strip
- ▶ If you have any queries:
Please contact your supplier or local sales center.

1) The external display can be selected as an option in the order structure or ordered as an accessory at a later stage.

5 Mounting

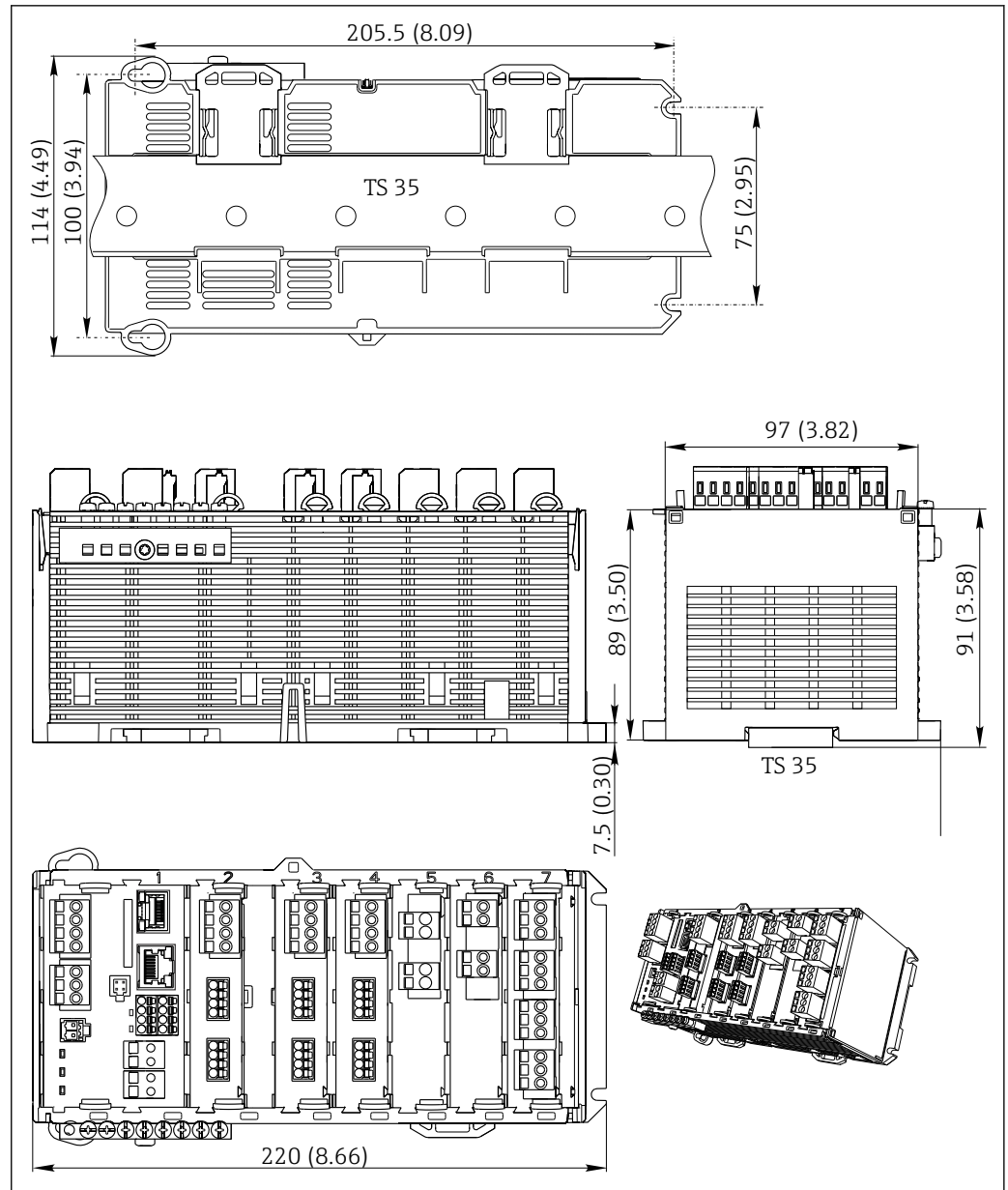
5.1 Mounting requirements

5.1.1 Dimensions



A0039729

6 Dimensions in mm (inch)



7 Dimensions in mm (inch)

A0039730

5.1.2 Mounting on DIN rail as per IEC 60715

⚠ CAUTION

The power unit can get very hot under full load

Burn hazard!

- ▶ Avoid touching the power unit during operation.
- ▶ The minimum distances to other devices must be observed.
- ▶ After switching off the power unit, allow it to cool down before carrying out any work on it.

⚠ CAUTION

Condensation on the device

Risk to user safety!

- ▶ The device complies with the IP20 degree of protection. It is designed only for environments with non-condensing moisture.
- ▶ Comply with the specified ambient conditions, e.g. by installing the device in an appropriate protective enclosure.

NOTICE

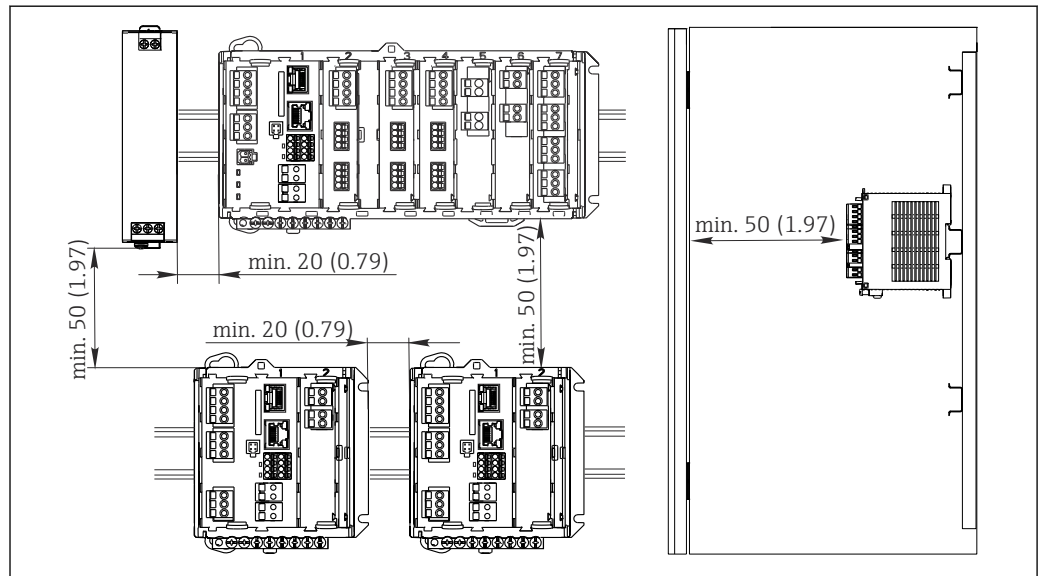
Incorrect mounting location in the cabinet, spacing regulations not observed

Possible malfunctions as a result of heat buildup and interference from neighboring devices!

- ▶ Do not position the device directly above sources of heat. The temperature specification must be observed.
- ▶ The components are designed for convection-based cooling. Avoid heat buildup. Ensure openings are not covered, e.g. by cables.
- ▶ Observe the specified distances to other devices.
- ▶ Physically separate the device from frequency converters and high-voltage devices.
- ▶ Recommended installation direction: horizontal. The specified ambient conditions, and particularly the ambient temperatures, only apply for horizontal installation.
- ▶ Vertical orientation is also possible. However, this requires additional fixing clips at the place of installation to hold the device in position on the DIN rail.
- ▶ Recommended installation of power unit for CM444R and CM448R: to the left of the device

The following minimum clearance specifications must be observed:

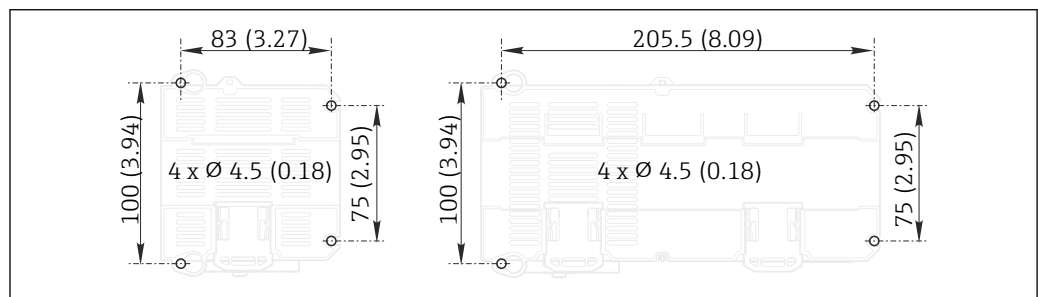
- Distances at the side in relation to other devices incl. power units and to the wall of the cabinet:
at least 20 mm (0.79 inch)
- Distance above and below the device and depth distance (to control cabinet door or other devices installed there):
at least 50 mm (1.97 inch)



A0039735

8 Minimum clearance in mm (in)


5.1.3 Wall mounting

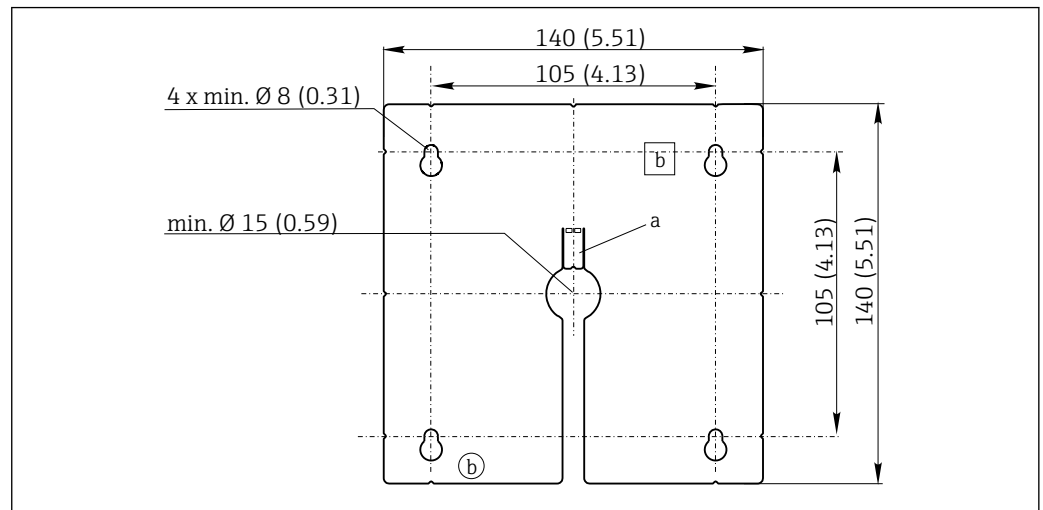



A0025370

9 Drilling pattern for wall mounting in mm (in)

5.1.4 Mounting the external display

 The mounting plate also serves as the drilling template. The marks on the side help you mark the position of the drill holes.



 10 Mounting plate of external display, dimensions in mm (in)

a Retaining tab

b Production-related recesses, no function for the user

5.1.5 Cable length for optional display

Length of display cable provided:

3 m (10 ft)

Maximum permitted length of a display cable:

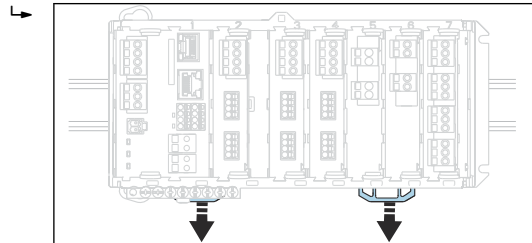
5 m (16.5 ft)

5.2 Mounting the measuring device

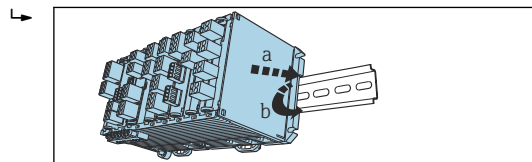
5.2.1 DIN rail mounting

The mounting procedure is the same for all Liquiline devices. The example shows a CM448R.

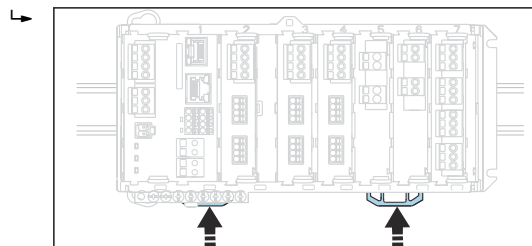
1. In the order configuration, the securing clips are "tightened" to secure the DIN rail. Release the securing clips by pulling them downwards.



2. Attach the device from the top to the DIN rail (a) and secure it by pressing down (b).



3. Slide the securing clips upwards until they click, thereby securing the device to the DIN rail.





4. **CM444R and CM448R only**
Mount the external power unit in the same way.

5.2.2 Wall mounting

i Mounting material (screws, dowels) are not included in the scope of delivery and must be provided by the customer.

CM444R and CM448R: The external power unit can be mounted on a DIN rail only.

Use the back of the housing to mark the mounting holes. (→  9,  18)

1. Drill the corresponding holes and insert wall plugs if necessary.
2. Screw the housing onto the wall.

5.2.3 Mounting the optional external display

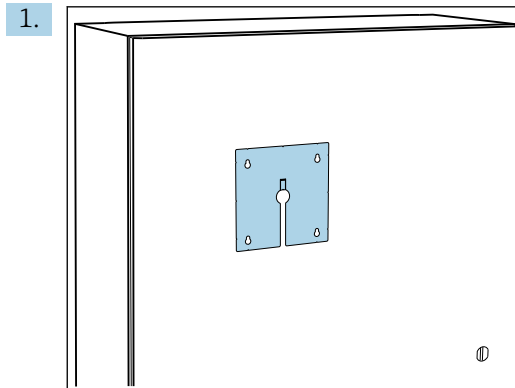
⚠ CAUTION

Sharp-edged, non-deburred boreholes

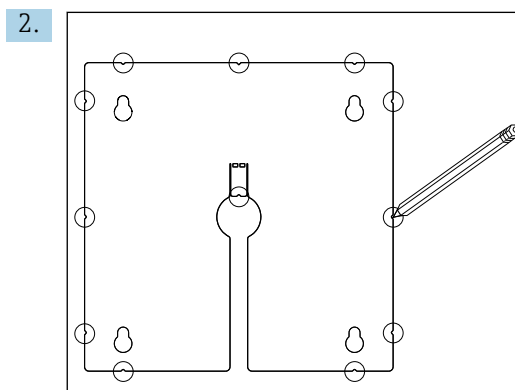
Risk of injury, display cable may get damaged!

- ▶ Trim and deburr all boreholes. In particular, make sure that the middle borehole for the display cable is properly deburred.

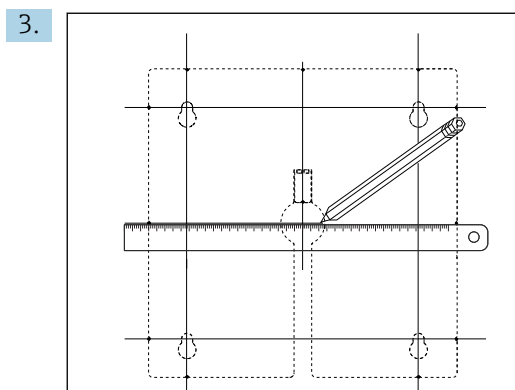
Mounting the display on the door of the cabinet



Hold the mounting plate from the outside against the door of the control cabinet. Select the position at which the display is to be mounted.

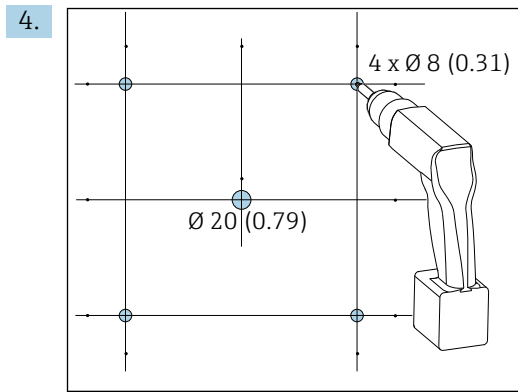


Make all the markings.



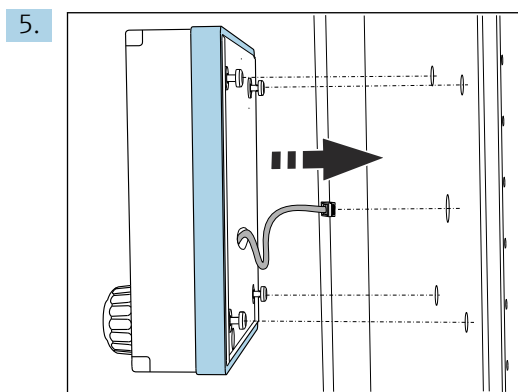
Draw lines to interconnect all the marks.

- ↳ The points of intersection of the lines mark the position of the 5 necessary boreholes.



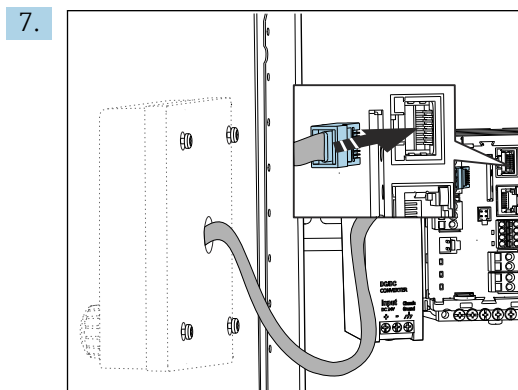
11 Diameter of boreholes in mm (in)

Drill the holes. → 10, 19

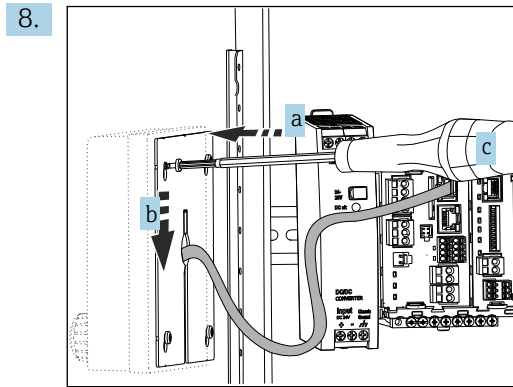


Pull the display cable through the central borehole.

6. With the Torx screws unscrewed until the last half turn (but still inserted), fit the display from the outside via the 4 outer boreholes. Ensure that the rubber frame (seal, highlighted blue) does not become damaged and is properly positioned on the surface of the door.

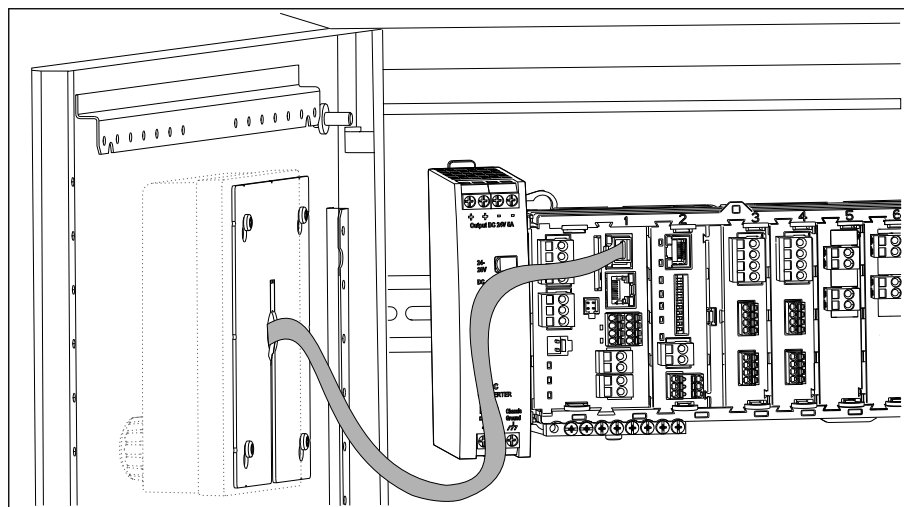


Connect the display cable to the RJ-45 socket of the base module. The RJ-45 socket is labeled **Display**.



Place the mounting plate on the inside over the screws (a), slide it down (b) and tighten the screws (c).

↳ The display is now mounted and ready to use.



12 Mounted display

NOTICE

Incorrect installation

Damage and malfunctions possible

- ▶ Lay cables in such a way that they do not get squashed e.g. when closing the cabinet door.
- ▶ Only connect the display cable to the RJ45 socket with the **Display** labeling on the base module.

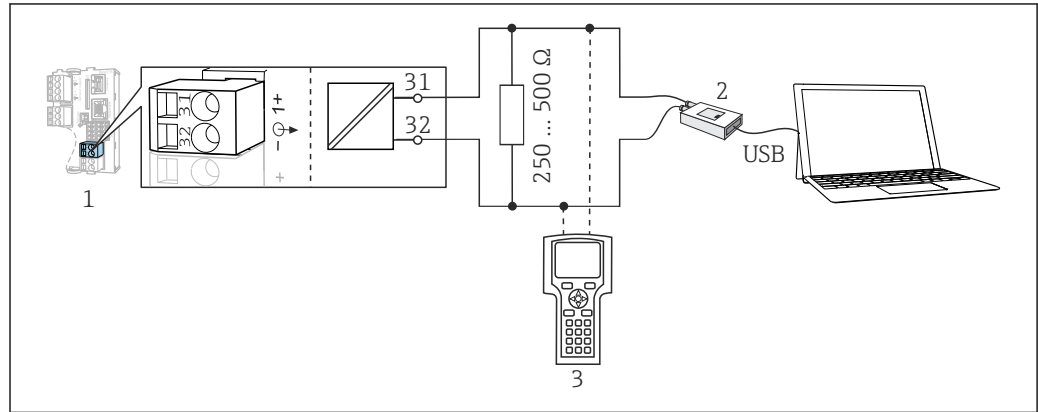
5.3 Post-mounting check

1. After mounting, check all devices (controller, power unit, display) for damage.
2. Verify that the specified installation clearances have been observed.
3. Verify that all securing clips have been snapped into place and that the components are securely positioned on the DIN rail.
4. Ensure that the temperature limits are observed at the mounting location.

6 Electrical connection

6.1 Connection conditions

6.1.1 Via HART (e.g. via HART modem and FieldCare)



13 HART using modem

1 Device module Base2-L, -H or -E: current output 1 with HART

2 HART modem for connection to PC, e.g. Commubox FXA191 (RS232) or FXA195¹⁾ (USB)

3 HART handheld terminal

¹⁾ Switch position "on" (substitutes the resistor)

6.2 Connecting the measuring device

⚠ WARNING

Device is live!

Incorrect connection may result in injury or death!

- ▶ The electrical connection may be performed only by an electrical technician.
- ▶ The electrical technician must have read and understood these Operating Instructions and must follow the instructions contained therein.
- ▶ **Prior** to commencing connection work, ensure that no voltage is present on any cable.

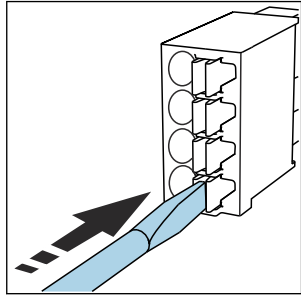
NOTICE

The device does not have a power switch!

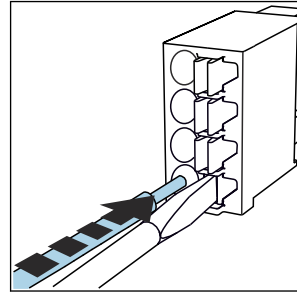
- ▶ Provide a protected circuit breaker in the vicinity of the device at the place of installation.
- ▶ The circuit breaker must be a switch or power switch, and must be labeled as the circuit breaker for the device.
- ▶ At the supply point, the power supply must be isolated from dangerous live cables by double or reinforced insulation in the case of devices with a 24 V supply voltage.

6.2.1 Cable terminals

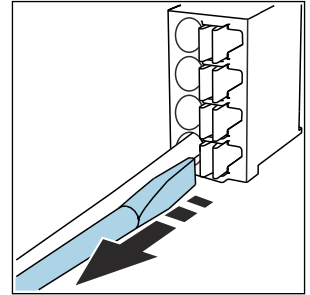
Plug-in terminals for Memosens and PROFIBUS/RS485 connections



- ▶ Press the screwdriver against the clip (opens the terminal).



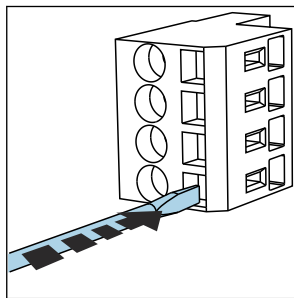
- ▶ Insert the cable until the limit stop.



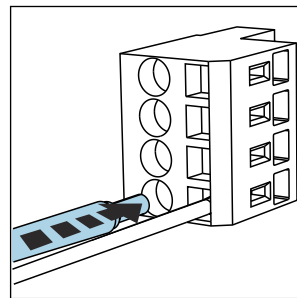
- ▶ Remove the screwdriver (closes the terminal).

i After connection, make sure that every cable end is securely in place. Terminated cable ends, in particular, tend to come loose easily if they have not been correctly inserted as far as the limit stop.

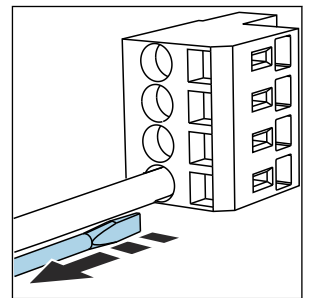
All other plug-in terminals



- ▶ Press the screwdriver against the clip (opens the terminal).

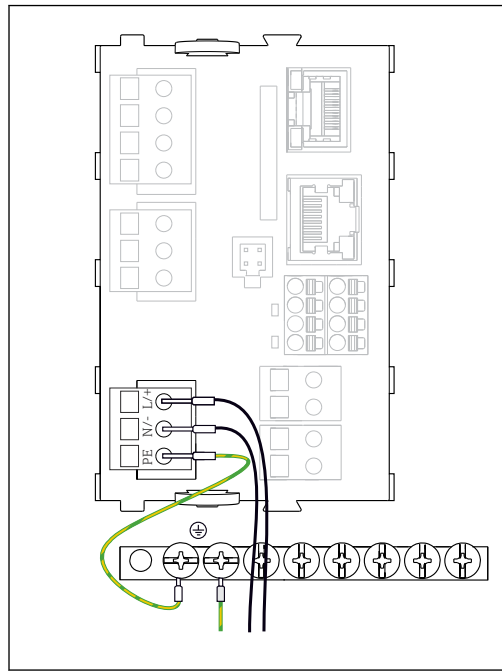


- ▶ Insert the cable until the limit stop.



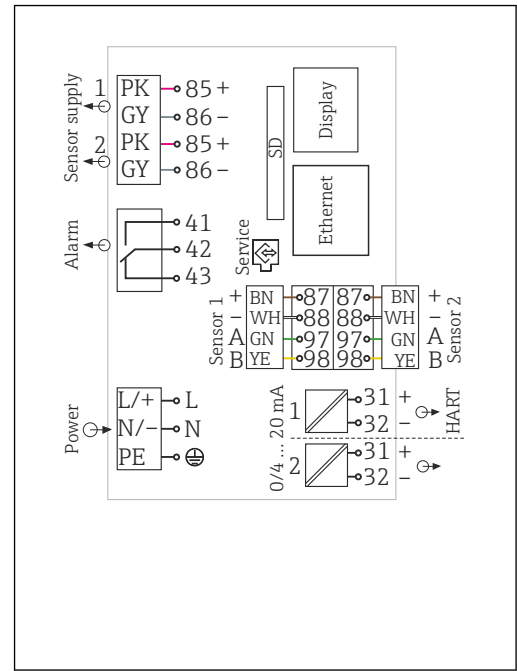
- ▶ Remove the screwdriver (closes the terminal).

6.2.2 Connecting the supply voltage for the CM442R



A0039665

14 Connecting the power supply using the example of the BASE2-H or -L



A0039625

15 Complete wiring diagram using the example of the BASE2-H or -L

H Power unit 100 to 230 VAC
 L Power unit 24 VAC or 24 VDC

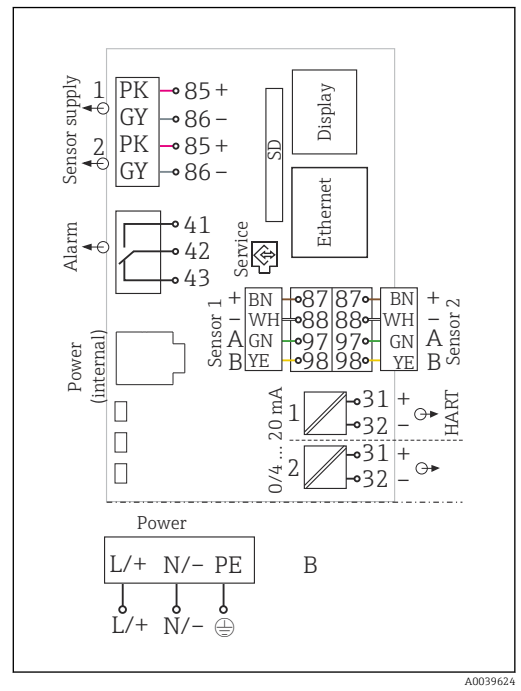
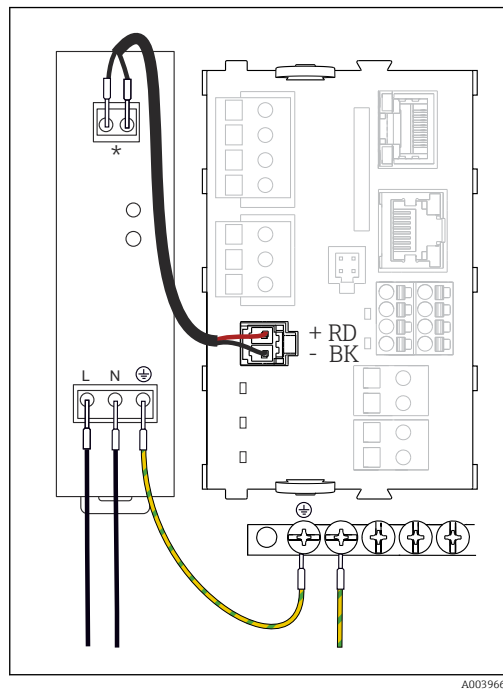
NOTICE

Incorrect connection and cable run not separate

Interference on signal or display cable, incorrect measured values or failure of display may occur!

- ▶ Do **not** connect the cable shield of the display cable to PE (terminal strip of device)!
- ▶ Run the signal/display cable in the control cabinet separately from live (current-carrying) cables.

6.2.3 Connecting supply voltage for CM444R and CM448R



16 Connecting the power supply using the example of the BASE2-E

* Assignment depends on power supply unit; make sure it is correctly connected.

17 Complete wiring diagram using the example of the BASE2-E and external power supply unit (B)

i The two device versions may only be operated with the power unit supplied and the power unit cable. Also pay attention to the information in the operating instructions supplied for the power unit.

NOTICE

Incorrect connection and cable run not separate

Interference on signal or display cable, incorrect measured values or failure of display may occur!

- ▶ Do **not** connect the cable shield of the display cable to PE (terminal strip of device)!
- ▶ Run the signal/display cable in the control cabinet separately from live (current-carrying) cables.

6.3 Connecting the sensors

6.3.1 Sensor types with Memosens protocol for non-hazardous area

Sensors with Memosens protocol

| Sensor types | Sensor cable | Sensors |
|---|---|---|
| Digital sensors without additional internal power supply | With plug-in connection and inductive signal transmission | <ul style="list-style-type: none"> ▪ pH sensors ▪ ORP sensors ▪ Combined sensors ▪ Oxygen sensors (amperometric and optical) ▪ Conductivity sensors with conductive measurement of conductivity ▪ Chlorine sensors (disinfection) |
| | Fixed cable | Conductivity sensors with inductive measurement of conductivity |
| Digital sensors with additional internal power supply | Fixed cable | <ul style="list-style-type: none"> ▪ Turbidity sensors ▪ Sensors for interface measurement ▪ Sensors for measuring the spectral absorption coefficient (SAC) ▪ Nitrate sensors ▪ Optical oxygen sensors ▪ Ion-sensitive sensors |


The following rule applies if connecting CUS71D sensors:

- CM442R
 - Only one CUS71D is possible; an additional sensor is not permitted.
 - The second sensor input may also not be used for another type of sensor.
- CM444R
 - No restrictions. All the sensor inputs can be used as required.
- CM448R
 - If a CUS71D is connected, the number of sensor inputs that can be used is limited to a maximum of 4.
 - Of these, all 4 inputs can be used for CUS71D sensors.
 - Every combination of CUS71D and other sensors is possible, provided that the total number of connected sensors does not exceed 4.

6.3.2 Sensor types with Memosens protocol for hazardous area

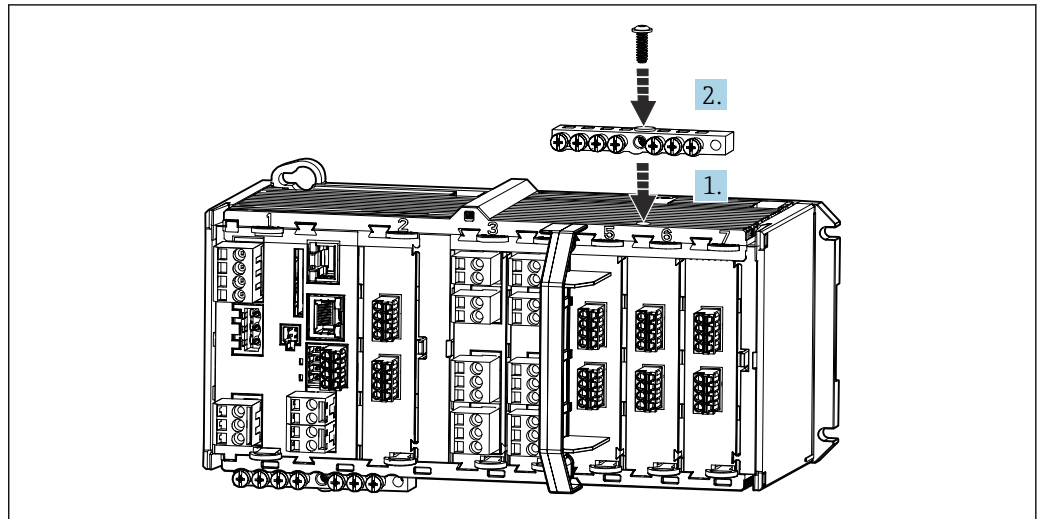
Sensors with Memosens protocol

| Sensor types | Sensor cable | Sensors |
|---|---|---|
| Digital sensors without additional internal power supply | With plug-in connection and inductive signal transmission | <ul style="list-style-type: none"> ▪ pH sensors ▪ ORP sensors ▪ Combined sensors ▪ Oxygen sensors (amperometric and optical) ▪ Conductivity sensors with conductive measurement of conductivity ▪ Chlorine sensors (disinfection) |
| | Fixed cable | Conductivity sensors with inductive measurement of conductivity |

 Intrinsically safe sensors for use in explosive atmospheres may only be connected to the sensor communication module type 2DS Ex-i. Only the sensors covered by the certificates may be connected (see XA).

The sensor connections for non-Ex sensors on the base module are disabled.

6.3.3 Mounting the terminal strip for sensor communication module 2DS Ex i

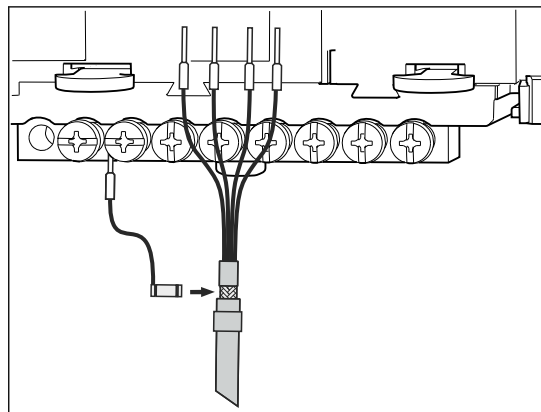


A0045451

1. Fit the cable duct with the central bore over the thread of the sensor communication module 2DS Ex-i.
2. Tighten the cable duct.
3. Establish the grounding of the cable duct (e.g. via the cable duct of the base module). Use the green/yellow cable supplied for this purpose.

6.3.4 Connecting the functional ground

You must always connect the terminal strip with PE from the central node in the cabinet. Use the conductor with cable clamp that is included with the Memosens cable to connect the functional earth to the terminal strip of the device.



18 Functional earth connection

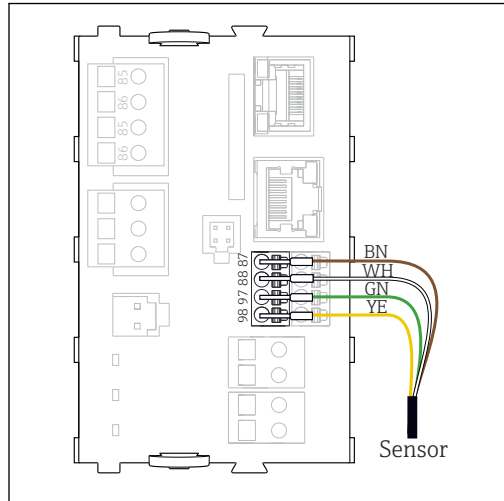
- i** You must only ever connect one functional earth to each screw in the terminal strip. Otherwise, shielding is not guaranteed.

6.3.5 Connecting sensors for non-hazardous area

Connection

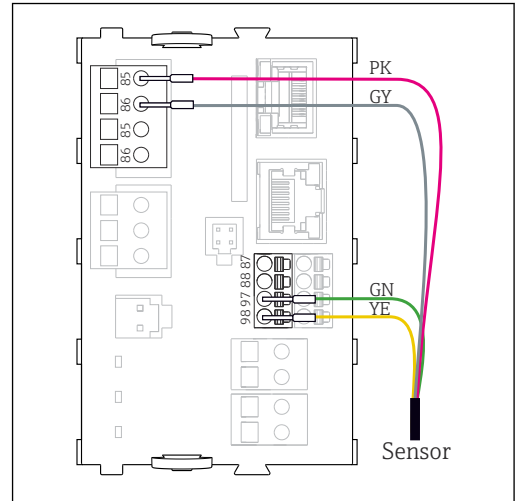
Direct connection of the sensor cable to the terminal connector of the , basic module-L, -H or -E (→ 19 ff.)

- ▶ Sensor cable connected directly
Connect the sensor cable to the Memosens terminal connector of the 2DS, or of the BASE2-L, -H or -E module.



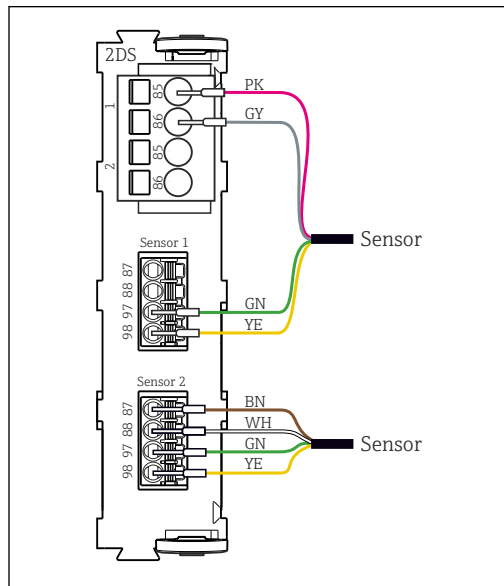
A0039629

19 sensors without additional supply voltage



A0039622

20 sensors with additional supply voltage



A0033206

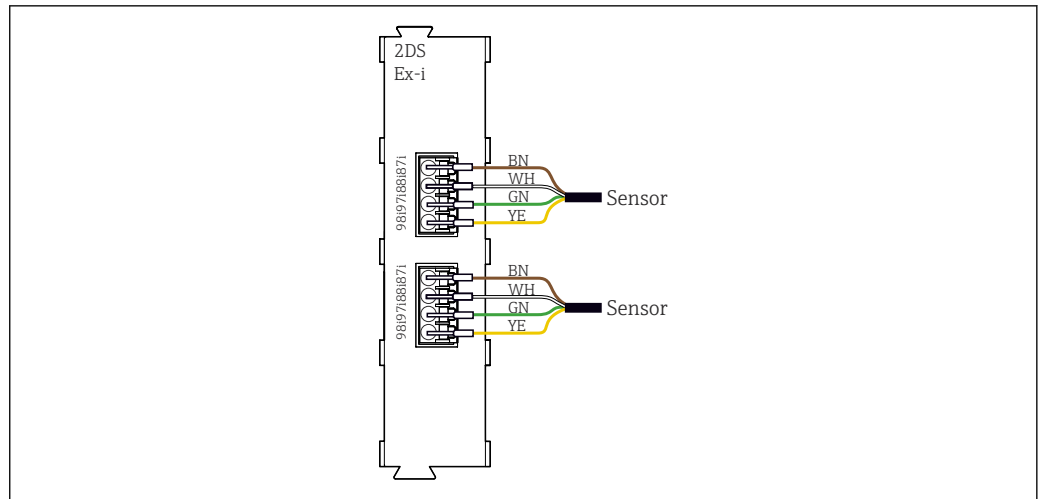
21 Sensors with and without additional supply voltage at sensor module 2DS

i In the case of a single-channel device:
The left-hand Memosens input on basic module must be used!

6.3.6 Connecting intrinsically safe sensors to sensor communication module type 2DS Ex i

Sensor cable connected directly

- ▶ Connect the sensor cable to the terminal connector of the sensor communication module 2DS Ex-i.



22 Sensors without additional supply voltage at sensor communication module type 2DS Ex-i

- i** Intrinsically safe sensors for use in explosive atmospheres may only be connected to the sensor communication module type 2DS Ex-i. Only the sensors covered by the certificates may be connected (see XA).

6.4 Connecting additional inputs, outputs or relays

⚠ WARNING

Module not covered

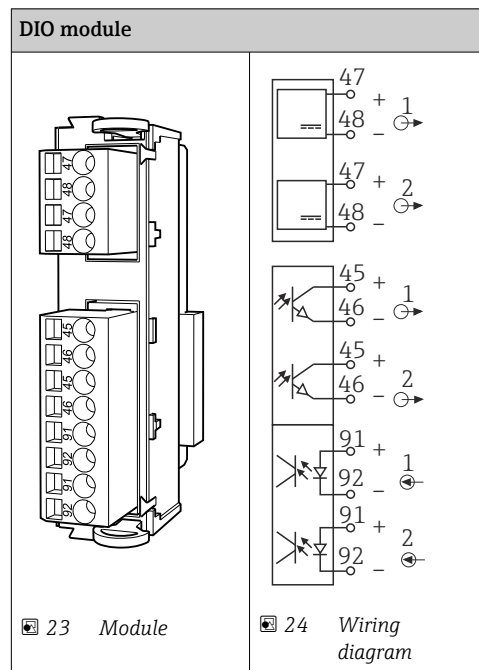
No shock protection. Danger of electric shock!

- ▶ Change or extend the hardware for the **non-hazardous area**: always fill the slots from left to right. Do not leave any gaps.
- ▶ If all of the slots are not occupied in the case of devices for the **non-hazardous area**: always insert a dummy cover or end cover in the slot to the right of the last module(→ 1, 10). This ensures that the unit is shock-protected.
- ▶ Always ensure shock protection is guaranteed particularly in the case of relay modules (2R, 4R, AOR).
- ▶ Hardware for the **hazardous area** may not be modified. Only the Manufacturer's Service Team may convert a certified device to another certified device version. This includes all modules of the transmitter with an integrated 2DS Ex-i module, as well as changes that concern non-intrinsically safe modules.

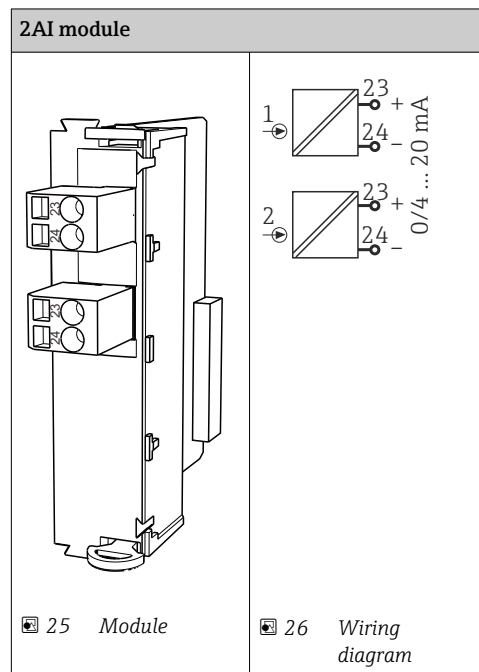
- i** The terminal strip is used to connect the cable shields.

- ▶ If additional shields are required, connect them with PE centrally in the control cabinet via terminal blocks supplied by the customer.

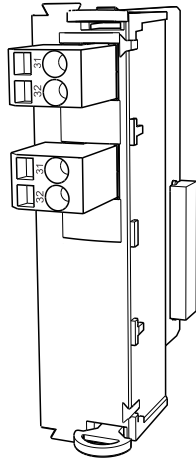
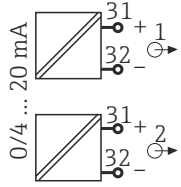
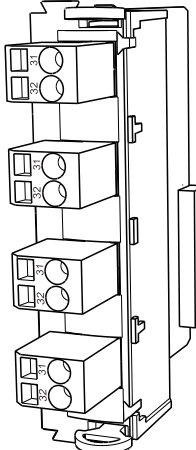
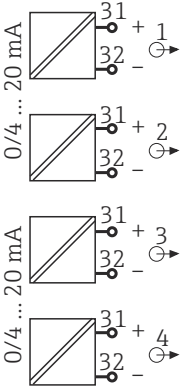




6.4.1 Digital inputs and outputs



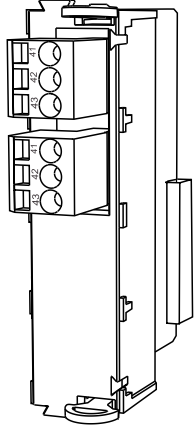
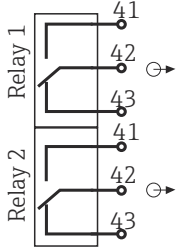
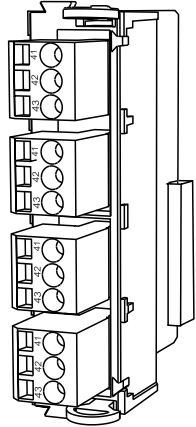
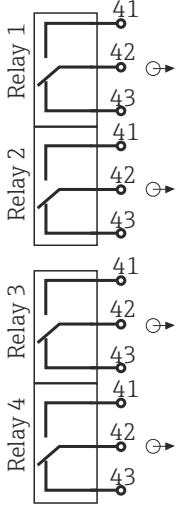




6.4.2 Current inputs



6.4.3 Current outputs

| 2AO | | 4AO | |
|---|---|---|---|
|  |  |  |  |
|  27 Module |  28 Wiring diagram |  29 Module |  30 Wiring diagram |

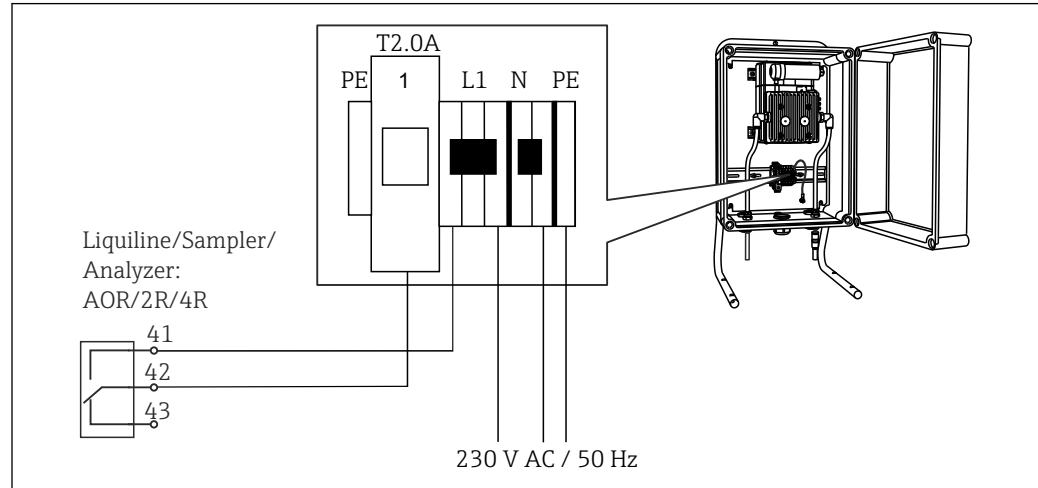
6.4.4 Relay

| 2R module | | 4R module | |
|---|---|---|---|
|  |  |  |  |
|  31 Module |  32 Wiring diagram |  33 Module |  34 Wiring diagram |

Example: Connecting the cleaning unit 71072583 for CAS40D**NOTICE****Power consumption too high for the Liquiline alarm relay!**

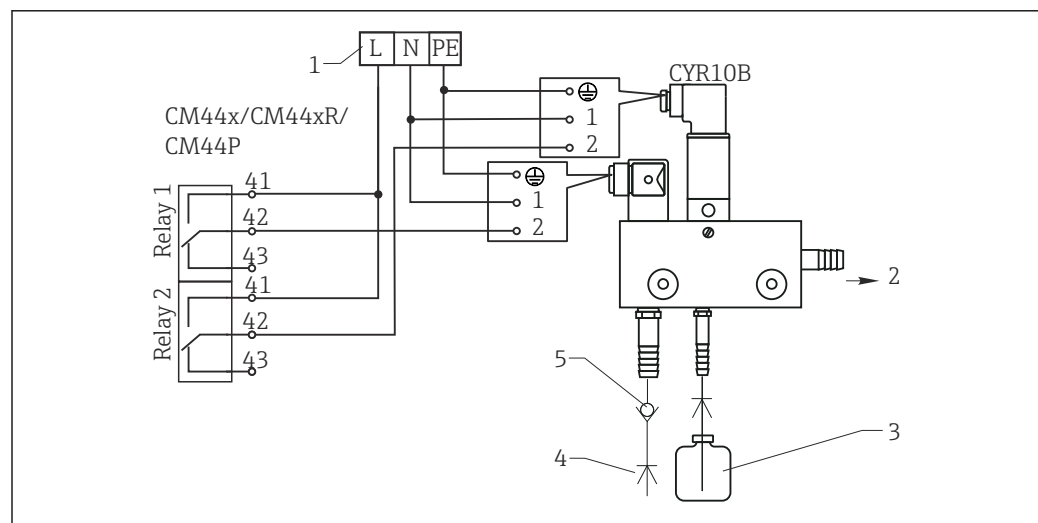
Can cause irreparable damage to the base module

- Connect the cleaning unit only to terminals of an additional module (AOR, 2R or 4R), **not** to the alarm relay of the base module.



A0028597

35 Connecting the cleaning unit for CAS40D

Example: Connecting the Chemoclean CYR10B injector cleaning unit

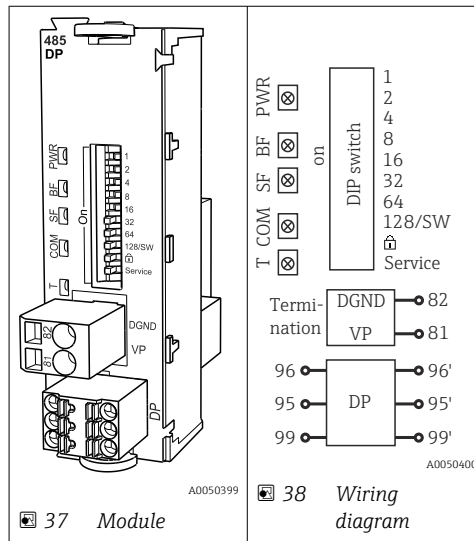
A0028598

36 Connecting the CYR10B injector cleaning unit

- 1 External power supply
- 2 Cleaner to spray head
- 3 Container with cleaner
- 4 Motive water 2 to 12 bar (30 to 180 psi)
- 5 Backflow valve (to be provided by the customer)

6.5 Connecting PROFIBUS DP or Modbus RS 485

6.5.1 Module 485DP



| Terminal | PROFIBUS DP |
|----------|---------------|
| 95 | A |
| 96 | B |
| 99 | Not connected |
| 82 | DGND |
| 81 | VP |

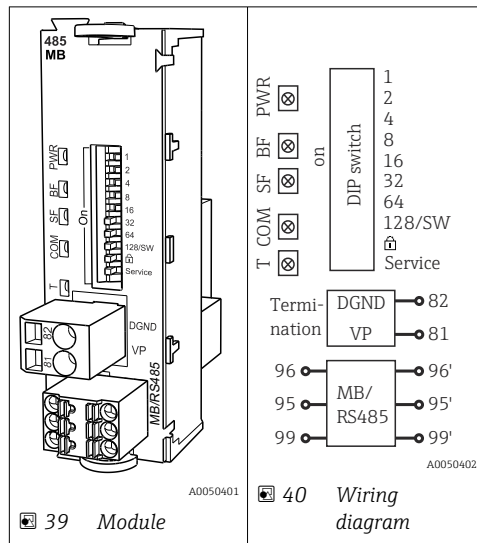
LEDs on front of module

| LED | Designation | Color | Description |
|-----|-----------------|-------|--|
| PWR | Power | GN | Supply voltage is applied and module is initialized. |
| BF | Bus failure | RD | Bus failure |
| SF | System failure | RD | Device error |
| COM | Communication | YE | PROFIBUS message sent or received. |
| T | Bus termination | YE | <ul style="list-style-type: none"> ■ Off = No termination ■ On = Termination is used |

DIP switches on front of module

| DIP | Factory setting | Assignment |
|---------|-----------------|---|
| 1-128 | ON | Bus address (-> "Commissioning/communication") |
| ⏏ | OFF | Write protection: "ON" = configuration not possible via the bus, only via local operation |
| Service | OFF | The switch has no function |

6.5.2 Module 485 MB



| Terminal | Modbus RS485 |
|----------|--------------|
| 95 | B |
| 96 | A |
| 99 | C |
| 82 | DGND |
| 81 | VP |

LEDs on front of module

| LED | Designation | Color | Description |
|-----|-----------------|-------|--|
| PWR | Power | GN | Supply voltage is applied and module is initialized. |
| BF | Bus failure | RD | Bus failure |
| SF | System failure | RD | Device error |
| COM | Communication | YE | Modbus message sent or received. |
| T | Bus termination | YE | <ul style="list-style-type: none"> ■ Off = No termination ■ On = Termination is used |

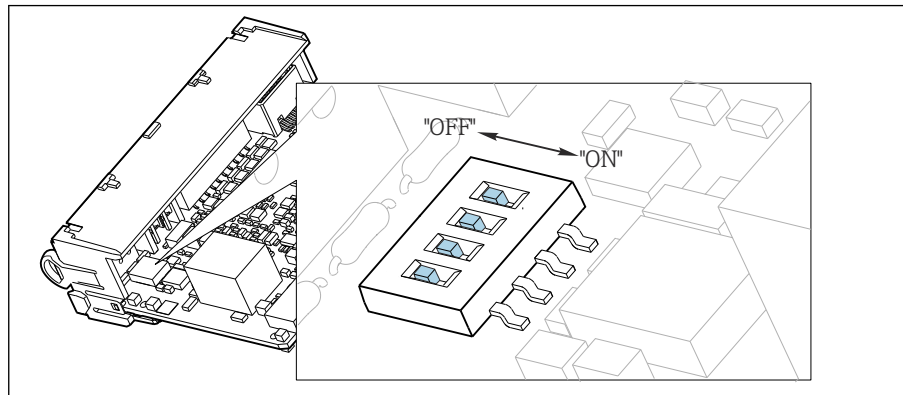
DIP switches on front of module

| DIP | Factory setting | Assignment |
|---------|-----------------|---|
| 1-128 | ON | Bus address (→ "Commissioning/communication") |
| ⏏ | OFF | Write protection: "ON" = configuration not possible via the bus, only via local operation |
| Service | OFF | The switch has no function |

6.5.3 Bus termination

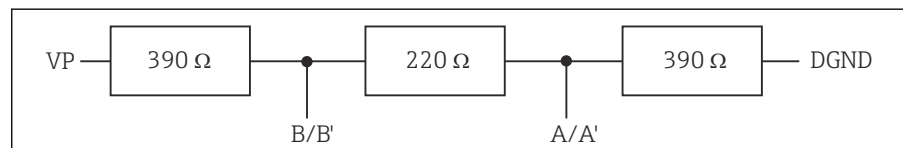
There are 2 ways to terminate the bus:

1. Internal termination (via DIP switch on module board)



41 DIP switch for internal termination

- ▶ Using a suitable tool such as a tweezer, move all four DIP switches to the "ON" position.
 - ↳ The internal termination is used.



42 Structure of internal termination

2. External termination

Leave the DIP switches on the module board in the "OFF" position (factory setting).

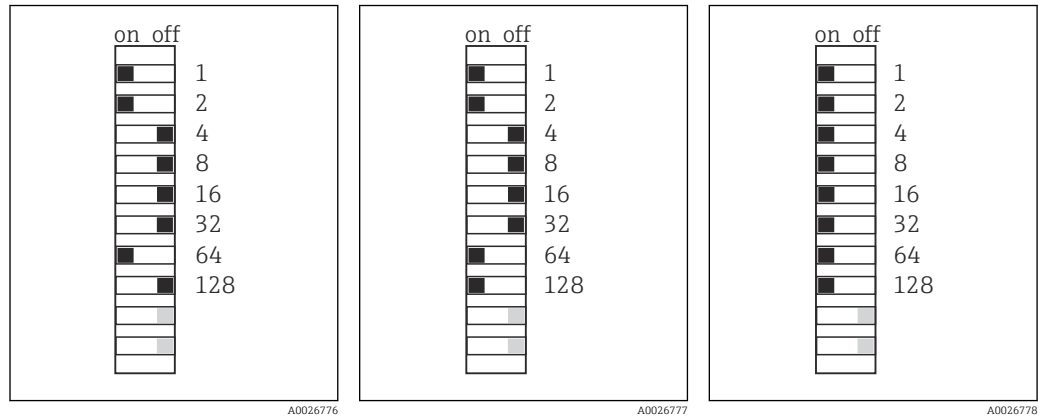
- ▶ Connect the external termination to terminals 81 and 82 on the front of module 485DP or 485MB for 5-V power supply.
 - ↳ The external termination is used.

6.6 Hardware settings

Setting the bus address

1. Open the housing.
2. Set the desired bus address via the DIP switches of module 485DP or 485MB.

i For PROFIBUS DP, valid bus addresses are anything between 1 and 126, and anything between 1 and 247 for Modbus. If you configure an invalid address, software addressing is automatically enabled via the local configuration or via the fieldbus.



43 Valid PROFIBUS address 67 44 Valid Modbus address 195 45 Invalid address 255 ¹⁾

¹⁾ Order configuration, software addressing is active, software address configured at the factory: PROFIBUS 126, Modbus 247

6.7 Ensuring the degree of protection

Only the mechanical and electrical connections which are described in these instructions and which are necessary for the required, designated use, may be carried out on the device delivered.

- ▶ Exercise care when carrying out the work.

Individual types of protection permitted for this product (impermeability (IP), electrical safety, EMC interference immunity, Ex protection) can no longer be guaranteed if, for example :

- Covers are left off
- Different power units to the ones supplied are used
- Cable glands are not sufficiently tightened (must be tightened with 2 Nm (1.5 lbf ft) for the permitted level of IP protection)
- Unsuitable cable diameters are used for the cable glands
- Modules are not fully secured
- The display is not fully secured (risk of moisture entering due to inadequate sealing)
- Loose or insufficiently tightened cables/cable ends
- Conductive cable strands are left in the device

6.8 Post-connection check

WARNING

Connection errors

The safety of people and of the measuring point is at risk! The manufacturer does not accept any responsibility for errors that result from failure to comply with the instructions in this manual.

- ▶ Put the device into operation only if you can answer **yes** to **all** the following questions.

Device condition and specifications

- ▶ Are the device and all the cables free from damage on the outside?

Electrical connection

- ▶ Are the mounted cables strain relieved?
- ▶ Are the cables routed without loops and cross-overs?
- ▶ Are the signal cables correctly connected as per the wiring diagram?
- ▶ Are all plug-in terminals securely engaged?
- ▶ Are all the connection wires securely positioned in the cable terminals?

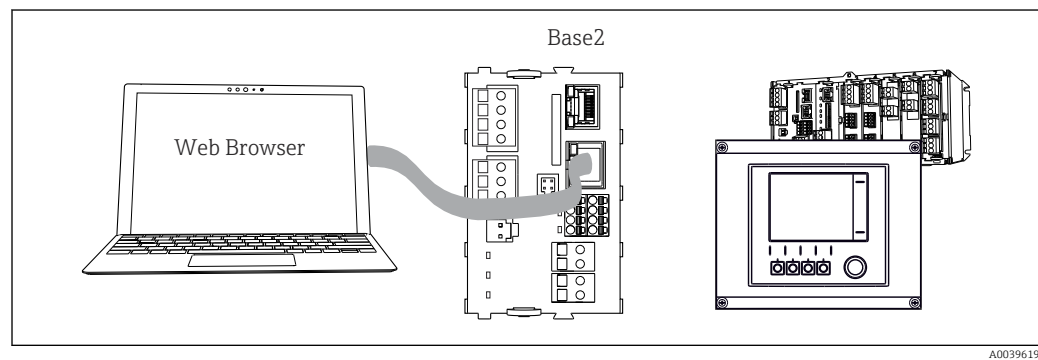
7 System integration

7.1 Web server

- i** Versions without fieldbus: An activation code is required for the web server.
The connection described is only possible with BASE2 module versions.

7.1.1 Connection

- ▶ Connect the communication cable of the computer to the Ethernet port of the BASE2 module.



46 Web server/Ethernet connection

7.1.2 Establishing the data connection

All versions with the exception of PROFINET:

To ensure that your device has a valid IP address, you must disable the **DHCP** parameter in the Ethernet settings. (**Menu/Setup/General settings/Extended setup/Ethernet/Settings**)

You can assign the IP address manually in the same menu (for point-to-point connections).

All versions including PROFINET:

You will find the IP address and subnet mask of the device under: **DIAG/System information/Ethernet**.

1. Start your PC.
2. First, configure a manual IP address in the network connection settings of the operating system.

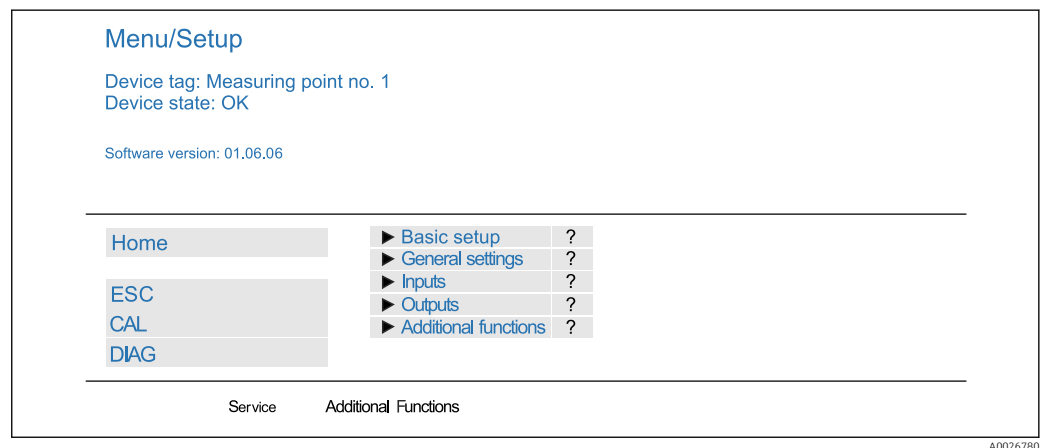
Example: Microsoft Windows 10

3. Open Network and Sharing Center.
 - ↳ Apart from your standard network, you should see an additional Ethernet connection (e.g. as an "unidentified network").
4. Select the link to this Ethernet connection.
5. In the pop-up window select the "Properties" button.
6. Double-click "Internet Protocol Version 4 (TCP/IPv4)".
7. Select "Use the following IP Address".
8. Enter the desired IP address. This address must be in the same subnet as the IP address of the device, e.g.:
 - ↳ IP address for Liquiline: 192.168.1.212 (as configured previously)
 - IP address for PC: 192.168.1.213.

9. Start the Internet browser.
 10. If you use a proxy server to connect to the Internet:
Disable the proxy (browser settings under "Connections/LAN settings").
 11. Enter the IP address of your device in the address bar (192.168.1.212 in the example).
 - ↳ The system takes a few moments to establish the connection and then the CM44 web server starts. You might be asked for a password. The factory setting is "admin" for the user name and "admin" for the password.
 12. Enter the following address(es) to download logbooks:
 - ↳ 192.168.1.212/logbooks_csv.fhtml (for logbooks in CSV format)
 - ↳ 192.168.1.212/logbooks_fdm.fhtml (for logbooks in FDM format)
- i** Downloads in FDM format can be securely transmitted, saved and visualized with Endress+Hauser's "Field Data Manager Software".
(→ www.endress.com/ms20)

7.1.3 Operation

The menu structure of the web server corresponds to the onsite operation.



47 Example of web server (menu/language=English)

- Clicking a menu name or a function corresponds to pressing the navigator.
 - You can make your settings conveniently via the computer keyboard.
- i** Instead of using an Internet browser, you can also use FieldCare for configuration via Ethernet. The Ethernet DTM required for this is an integral part of the "Endress +Hauser Interface Device DTM Library".
Download: <https://portal.endress.com/webdownload/FieldCareDownloadGUI/>

7.1.4 Heartbeat verification

You can also start Heartbeat verification via the web server. This has the advantage that you can view the results directly in the browser and can avoid using an SD card.

1. Open the menu: **Diagnostics/System test/Heartbeat**.
2. ▶ **Perform verification**.
3. Either ▶ **Verification results** (quick display and export to SD card) or **Additional Functions** (additional menu below the limit line → 47).

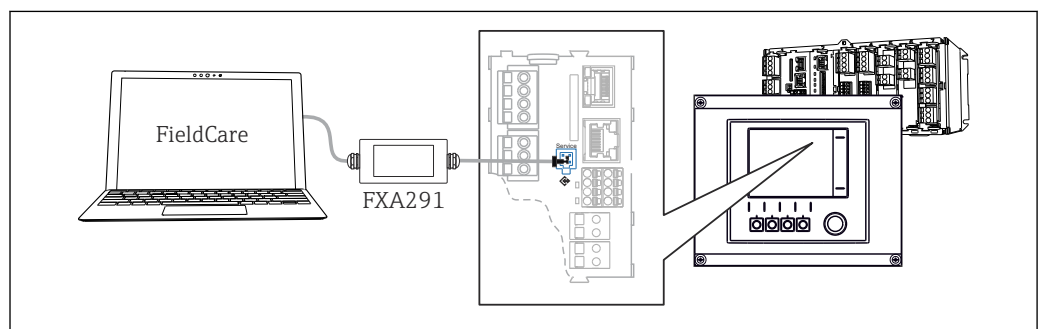
4. **Additional Functions/Heartbeat:** Select the language of the pdf file.
 - ↳ The verification report is displayed in the browser and can be printed out, saved as a pdf file, etc.

7.2 Service interface

You can connect the device to a computer via the service interface and configure it using "FieldCare". Furthermore, configurations can also be saved, transferred and documented.

7.2.1 Connection

1. Connect the service connector to the interface on the Liquiline base module and connect it to the Commubox.
2. Connect the Commubox via the USB connection to the computer on which FieldCare is installed.



A0039618

48 Connection overview

7.2.2 Establishing the data connection

1. Start FieldCare.
2. Establish a connection to the Commubox. To do so, select the "CDI Communication FXA291" ComDTM.
3. Then select the "Liquiline CM44x" DTM and start configuration.

You can now start online configuration via the DTM.

Online configuration competes with onsite operation, i.e. each of the two options blocks the other one. On both sides it is possible to take away access from the other side.

7.2.3 Operation

- In the DTM the menu structure corresponds to the onsite operation. The functions of the Liquiline soft keys are found in the main window on the left.
- Clicking a menu name or a function corresponds to pressing the navigator.
- You can make your settings conveniently via the computer keyboard.
- You can use FieldCare to save logbooks, make backups of configurations and transfer configurations to other devices.
- You can also print out configurations or save them as PDFs.

7.3 Fieldbus systems

7.3.1 HART

You can communicate using the HART protocol via current output 1.

1. Connect the HART modem or HART handheld terminal to current output 1 (communication load 250 - 500 Ohm).
2. Establish a connection via your HART device.
3. Operate the Liquiline via the HART device. To do so, follow the instructions in the manual.



More detailed information on HART communication is provided on the product pages on the Internet (→ BA00486C).

7.3.2 PROFIBUS DP

Communication via PROFIBUS DP is possible with module 485DP and the appropriate device version.

- ▶ Connect the PROFIBUS data cable to the terminals of the fieldbus module as described .



For detailed information on "PROFIBUS communication", see the product pages on the Internet (→ SD01188C).

7.3.3 Modbus

Communication via Modbus RS485 is possible with module 485MB and the appropriate device version.

Communication via Modbus TCP is possible with module BASE2.

The RTU and ASCII protocols are available when connecting via Modbus RS485. You can switch to ASCII on the device.

- ▶ Connect the Modbus data cable to the terminals of module 485MB (RS 485) or to the RJ45 socket of module BASE2 (TCP) as described.



For detailed information on "Modbus communication", see the product pages on the Internet (→ SD01189C).

7.3.4 EtherNet/IP

Communication via EtherNet/IP is possible with module BASE2 and the appropriate device version.

- ▶ Connect the EtherNet/IP data cable to the RJ45 socket of module BASE2.



For detailed information on "Ethernet/IP communication", see the product pages on the Internet (→ SD01293C).

7.3.5 PROFINET

Communication via PROFINET is possible with module BASE2 and the appropriate device version.

- ▶ Connect the PROFINET data cable to the RJ45 socket of module BASE2.

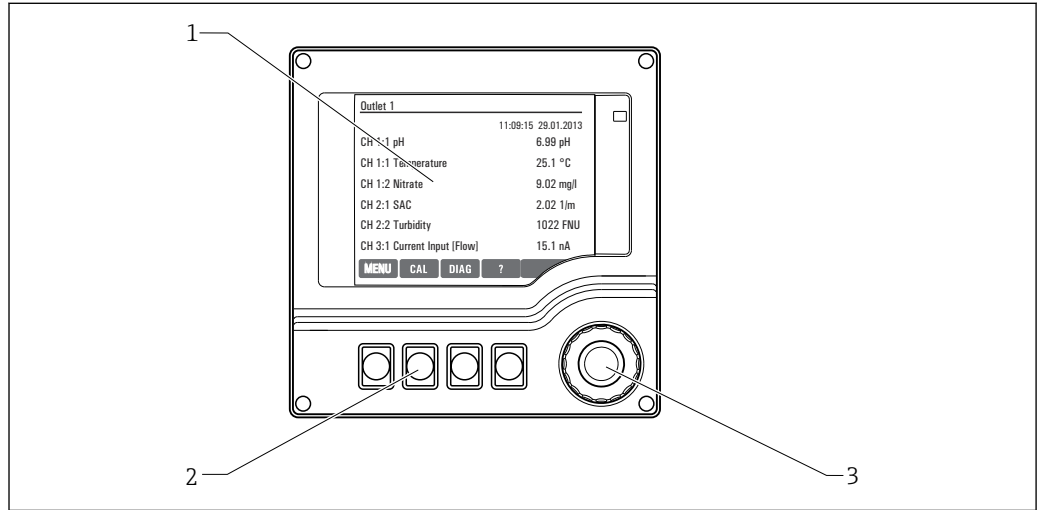


For detailed information on "PROFINET communication", see the product pages on the internet (→ SD02490C).

8 Operation options

8.1 Overview

8.1.1 Display and operating elements (only with optional display)

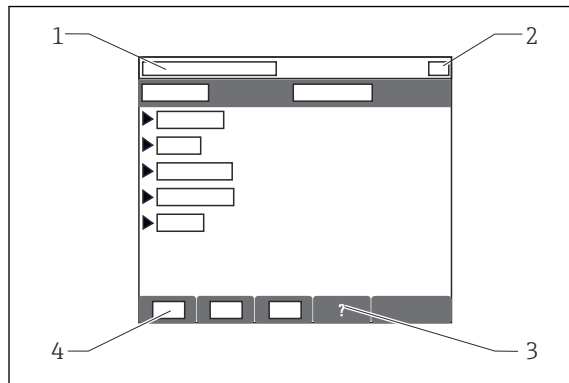


A0025231

49 Overview of operation

- 1 Display (with red display background in alarm condition)
- 2 Soft keys (function depends on menu)
- 3 Navigator (jog/shuttle and press/hold function)

8.1.2 Display

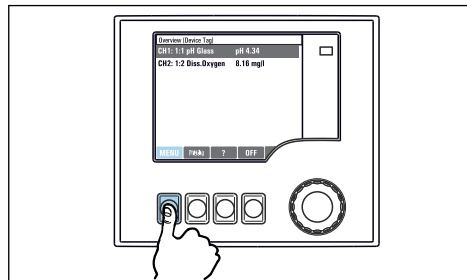


- 1 Menu path and/or device designation
- 2 Status display
- 3 Help if available
- 4 Assignment of the soft keys

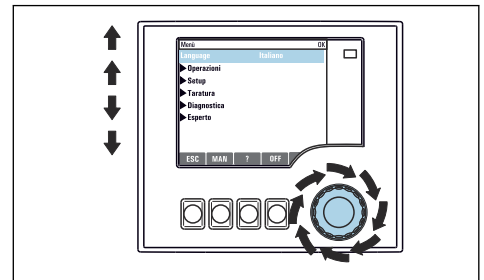
A0037692

8.2 Access to operating menu via local display

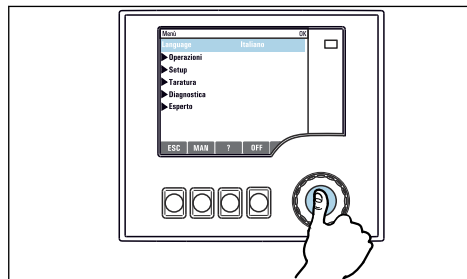
8.2.1 Operating concept (with optional display)



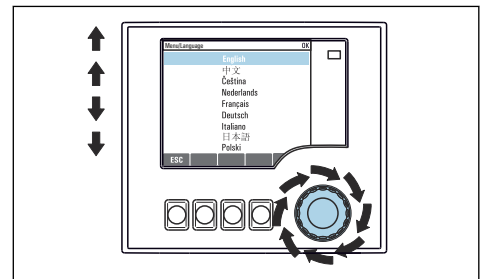
▶ Pressing the soft key: selecting the menu directly



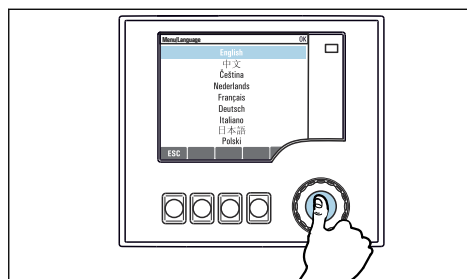
▶ Turning the navigator: moving the cursor in the menu



▶ Pressing the navigator: launching a function



▶ Turning the navigator: selecting a value (e.g. from a list)



▶ Pressing the navigator: accepting the new value


↳ New setting is accepted


8.2.2 Locking or unlocking operating keys

Locking operating keys


1. Press the navigator for longer than 2 s.

↳ A context menu for locking the operating keys is displayed. You have the choice of locking the keys with or without password protection. "With password" means that you can only unlock the keys again by entering the correct password. Set this password here: **Menu/Setup/General settings/Extended setup/Data management/Change key lock password.**

2. Select whether to lock keys with or without a password.
 - ↳ The keys are locked. No more entries can be made. In the soft key bar, you will see the  symbol.

 The password is 0000 when the device is delivered from the factory. **Make sure to note down any changes to the password**, as otherwise you will not be able to unlock the keypad yourself.

Unlocking operating keys

1. Press the navigator for longer than 2 s.
 - ↳ A context menu for unlocking the operating keys is displayed.
2. **Key unlock** .
 - ↳ The keys are unlocked immediately if you did not choose to lock with a password. Otherwise you are asked to enter your password.
3. Only if keypad is password-protected: enter the right password.
 - ↳ The keys are unlocked. It is possible to access the entire onsite operation again. The  symbol is no longer visible on the display.

8.3 Configuration options

8.3.1 Display only

- You can only read the values but cannot change them.
- Typical read-only values are: sensor data and system information


8.3.2 Picklists

- You receive a list of options. In a few cases, these also appear in the form of multiple choice boxes.
- Usually you just select one option; in rare instances you select one or more options.

8.3.3 Numerical values

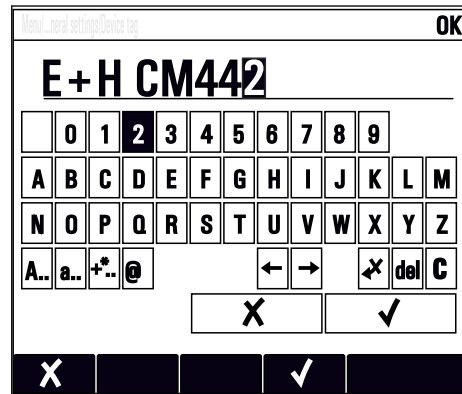
- You are changing a variable.
- The maximum and minimum values for this variable are shown on the display.
- Configure a value within these limits.

8.3.4 Actions

- You trigger an action with the appropriate function.
- You know that the item in question is an action if it is preceded by the following symbol:

- Examples of typical actions include:
 - Deleting log entries
 - Saving or loading configurations
 - Triggering cleaning programs
- Example: **Diagnostics/Logbooks/Configuration logbook/Delete all entries**

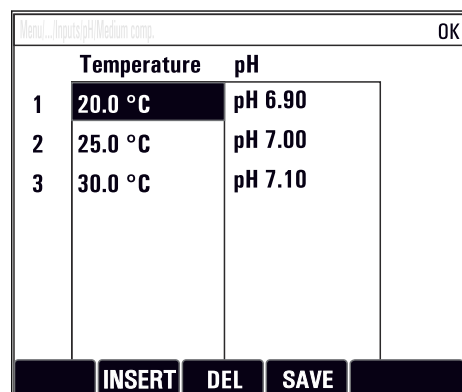
8.3.5 User-defined text

- You are assigning an individual designation.
- Enter a text. You can use the characters in the editor for this purpose (upper-case and lower-case letters, numbers and special characters).
- Using the soft keys, you can:
 - Cancel your entries without saving the data (✘)
 - Delete the character in front of the cursor (✂)
 - Move the cursor back one position (←)
 - Finish your entries and save (✓)
- Example: **Menu/Setup/General settings/Device tag**



8.3.6 Tables

- Tables are needed to map mathematical functions or to enter irregular interval samples.
- You edit a table by navigating through rows and columns with the navigator and changing the values of the cells.
- You only edit the numerical values. The controller automatically takes care of the engineering units.
- You can add rows to the table (**INSERT** soft key) or delete them (**DEL** soft key).
- Afterwards, you save the table (**SAVE** soft key).
- You can also cancel your entries any time using the ✘ soft key.
- Example: **Menu/Setup/Inputs/pH/Medium comp.**



9 Commissioning

9.1 Function check

⚠ WARNING

Incorrect connection, incorrect supply voltage

Safety risks for staff and device malfunctions!

- ▶ Check that all connections have been established correctly in accordance with the wiring diagram.
- ▶ Ensure that the supply voltage matches the voltage indicated on the nameplate.

Saving the configuration settings as a screenshot

Via the optional display , you can take screenshots at any time and save them to an SD card.

1. Insert an SD card into the SD card slot in the base module.
2. Press the navigator button for at least 3 seconds.
3. In the context menu, select the **Screenshot** item.
 - ↳ The current screen is saved as a bitmap file to the SD card in the "Screenshots" folder.

9.2 Power-up

i During the device startup phase, the relays and current outputs have an undefined status for a few seconds prior to initialization. Watch out for possible effects on any actuators which may be connected.

9.2.1 Setting the operating language

Configuring the language


1. Switch on the supply voltage.
 - ↳ Wait for the initialization to finish.
2. Press the soft key: **MENU**.
3. Set your language in the top menu item.
 - ↳ The device can now be operated in your chosen language.

9.2.2 Display behavior

| Menu/Operation/Display | | |
|------------------------|---|--|
| Function | Options | Info |
| Contrast | 5 to 95 % Factory setting 50 % | Adjust the screen settings to suit your working environment. Backlight = Automatic |
| Backlight | Selection <ul style="list-style-type: none"> ▪ On ▪ Off ▪ Automatic Factory setting Automatic | The backlighting is switched off automatically after a short time if a button is not pressed. It switches back on again as soon as you press the navigator button. Backlight = On The backlighting does not switch off automatically. |
| Screen rotation | Selection <ul style="list-style-type: none"> ▪ Manual ▪ Automatic Factory setting Manual | If Automatic is selected, the single-channel measured value display switches from one channel to the next every second. |

9.3 User definable screens

| Menu/Operation/User definable screens | | |
|---|---|---|
| Function | Options | Info |
| ► Meas. screen 1 ... 6 | | You can create 6 measuring screens of your own and give them a name. The functions are identical for all 6 measuring screens. |
| Meas. screen | Selection <ul style="list-style-type: none"> ▪ On ▪ Off Factory setting Off | Once you have defined your own measuring screen, you can switch it on here. You can find the new screen under User definable screens . |
| Label | Customized text, 20 characters | Name of the measuring screen Appears in the status bar of the display. |
| Number of lines | 1 to 8 Factory setting 8 | Specify the number of measured values displayed. |
| ► Line 1 ... 8 | User interface Label | Specify the content of Label in the submenu of each line. |
| Source of data | Selection <ul style="list-style-type: none"> ▪ None ▪ See list in "Info" column Factory setting None | <ul style="list-style-type: none"> ► Select a source of data. You can choose from the following: <ul style="list-style-type: none"> ▪ Sensor inputs ▪ Heartbeat diagnostics of sensor inputs ▪ Controller ▪ Current inputs ▪ Fieldbus signals ▪ Mathematical functions ▪ Binary inputs and outputs ▪ Current outputs ▪ Relay ▪ Measuring range switching |
| Measured value Source of data is an input | Selection Depends on the input Factory setting None | You can display different main, secondary and raw measured values depending on the type of input. No options can be selected for outputs here. |

| Menu/Operation/User definable screens | | |
|---|---|--|
| Function | Options | Info |
| Actuator type Source of data is a controller | Selection <ul style="list-style-type: none"> ▪ None ▪ Bipolar ▪ Unipolar- ▪ Unipolar+ Factory setting None | For more information on controllers and manipulated variables: →  70. |
| Label | Customized text, 20 characters | User-defined name for the parameter to be displayed |
| ▷ Set label to "%0V" ¹⁾ | Action | If you perform this action you accept the parameter name that is automatically suggested. Your own parameter name (Label) is lost! |

- 1) "%0V" here stands for text that depends on the context. This text is generated automatically by the software and inserted in place of %0V. In the simplest situations, the generated text could be the name of the measuring channel, for example.

9.4 Basic setup

Making basic settings

1. Switch to the **Setup/Basic setup** menu.
 - ↳ Make the following settings.
2. **Device tag:** Give your device any name of your choice (max. 32 characters).
3. **Set date:** Correct the set date if necessary.
4. **Set time:** Correct the set time if necessary.
 - ↳ For quick commissioning, you can ignore the additional settings for outputs, relays etc. You can make these settings later in the specific menus.
5. To return to the measuring mode: press the soft key for **ESC** for at least one second.
 - ↳ Your controller now works with your basic settings. The sensors connected use the factory settings of the sensor type in question and the individual calibration settings that were last saved.

If you wish to configure your most important input and output parameters in the **Basic setup** :

- ▶ Configure the current outputs, relays, limit switches, controllers, device diagnostics and cleaning cycles with the submenus which follow the time setting.

10 Operation

10.1 Display

10.1.1 Soft keys in measuring mode

On the bottom row of the display you can find four soft keys in the measuring screens:


- With **MENU**, **CAL** and **DIAG** take you directly to the specific software menu.
- With **HOLD** you can activate an immediate, general hold for sensors. This also sets all the linked outputs, controllers and cleaning cycles to HOLD. Any sensor cleaning programs that are currently running are interrupted. However, you can also start manual sensor cleaning when a hold is active.

10.1.2 Measuring mode

There are different display modes: (press the navigator button to change the mode)

- (1) Overview of all the inputs and outputs
- (2) Main measured value of an input or output or the status of a relay
- (3) Main and secondary measured value of a sensor input
- (4) All measured values of a sensor input
- (5) **Only for interface measurement:**
Graphic display of the separation zone

There are also submenus:

- (6) User-definable measuring menus (only available if already defined)
Selection of previously configured screens (→  49)
- (7) Heartbeat diagnostics
Quick overview of the health of the device and of each connected sensor that supports Heartbeat technology

Change of channel to modes (2) - (5)

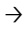
- ▶ Turn the navigator.
 - ↳ The display changes from channel to channel.

| Sensor type | Main value | Main/secondary measured value | All values |
|-------------------------------------|--|---|---|
| pH, glass | pH value | pH value, temperature | Main value, Raw value, Temperature, Glass impedance |
| Combined sensor pH and ORP | pH value or ORP or rH value | pH value or ORP or rH value, temperature | Main value, Raw value, Temperature, Glass impedance |
| pH, ISFET | pH value | pH value, temperature | Main value, Raw value, Temperature |
| ORP | ORP | ORP, temperature | Main value, Raw value, Offset, Temperature |
| Conductivity, measured inductively | Conductivity, concentration | Conductivity, concentration, temperature | Main value, Raw value, Temperature |
| Conductivity, measured conductively | Conductivity, resistivity, concentration | Conductivity, resistivity, concentration, temperature | Main value, Raw value, Temperature |
| Oxygen, optical and amperometric | Oxygen | Oxygen, temperature | Partial pressure, Saturation , Concentration, Temperature |
| Disinfection | Chlorine or chlorine dioxide (depending on the sensor) | Chlorine or chlorine dioxide, temperature | Main value, Raw value, Temperature |

| Sensor type | Main value | Main/secondary measured value | All values |
|---------------------------------------|------------|-------------------------------|---|
| Nitrate | Nitrate | Nitrate, temperature | Main value, Raw value, Temperature |
| Turbidity | Turbidity | Turbidity, temperature | Main value, Raw value, Temperature |
| Spectral absorption coefficient (SAC) | SAC | SAC, temperature | Main value, Raw value, Temperature |
| Sludge level | Turbidity | Turbidity, temperature | Main value, Raw value, Temperature |
| Ammonium, ion-selective | Ammonium | Ammonium, temperature | Main value, Raw value, Temperature |
| Nitrate, ion-selective | Nitrate | Nitrate, temperature | Main value, Raw value, Temperature |
| Potassium, ion-selective | Potassium | Potassium, temperature | Main value, Raw value, Temperature |
| Interface measurement | UIS | UIS | Main value, Raw value, Temperature Separation zone (graphic) |

Heartbeat diagnostics

(Optional or with additional activation code)

- Heartbeat diagnostics screen with graphic indicators for the health of the device and sensor and with a maintenance or (sensor-dependent) calibration timer
- Heartbeat status information on the health of the device and condition of the sensor
→  53
 - 😊: Sensor/device condition and maintenance timer > 20 %; no action is required
 - 😐: Sensor/device condition or maintenance timer > 5 ≤ 20 %, maintenance not yet urgent but should be scheduled
 - ☹️: Sensor/device condition or maintenance timer < 5 %, maintenance is recommended
- The Heartbeat sensor condition is the assessment of the calibration results and the sensor diagnostic functions.

An unhappy smiley can be due to the calibration result, the measured value status or to the operating hours limit having been exceeded. These limits can be configured in the sensor setup in a way that adapts the Heartbeat diagnostics to the application.

Heartbeat and NAMUR category

The Heartbeat status indicates the sensor or device condition while the NAMUR categories (F, C, M, S) assess the reliability of the measured value. The two conditions can correlate but do not have to.

■ Example 1

- The number of remaining cleaning cycles for the sensor reaches 20% of the defined maximum number. The Heartbeat symbol changes from 😊 to 😐. The measured value is still reliable so the NAMUR status signal does not change.
- If the maximum number of cleaning cycles is exceeded, the Heartbeat symbol changes from 😐 to ☹️. While the measured value can still be reliable, the NAMUR status signal changes to M (maintenance required).

■ Example 2



The sensor breaks. The Heartbeat status changes immediately from 😊 to ☹️ and the NAMUR status signal also changes immediately to F (failure).

10.1.3 Device status

Icons on the display alert you to special device states.

| Icon | Location | Description |
|------------|---------------------------------|---|
| F | Header bar | Diagnostic message "Failure" |
| M | Header bar | Diagnostic message "Maintenance request" |
| C | Header bar | Diagnostic message "Check" |
| S | Header bar | Diagnostic message "Out of specification" |
| ↔ | Header bar | Fieldbus or TCP/IP communication active |
| ⏸ | Header bar | Hold active (for sensors) |
| ⏸ | At measured value | Hold for the actuator (current output, limit switch etc.) is active |
| ⏶ | At measured value ¹⁾ | An offset has been added to the measured value |
| ⊗ | At measured value | Measured value in "Bad" or "Alarm" state |
| ATC | At measured value | Automatic temperature compensation active (for sensors) |
| MTC | At measured value | Manual temperature compensation active (for sensors) |
| SIM | Header bar | Simulation mode active or Memocheck SIM connected |
| SIM | At measured value | The measured value is influenced by a simulated value |
| SIM | At measured value | The displayed measured value is simulated (for sensors) |
| 😊 | After the channel number | Heartbeat diagnostics: condition of sensor is good |
| 😞 | After the channel number | Heartbeat diagnostics: condition of sensor is bad |
| 😊 | After the channel number | Heartbeat diagnostics: condition of sensor is OK |
| ☑ | Header bar | Controller is active |

1) Only pH or ORP measurement

 If two or more diagnostic messages occur simultaneously, only the icon for the message with the highest priority is shown on the display (for the order of priority according to NAMUR, →  118).


10.1.4 Assignment views

Assignment views, e.g. **Channel assignment view**, appear as the last function in many sections of the menu. You can use this function to see which actuators or functions are connected to an input or output. The assignments appear in hierarchical order.

10.2 General settings

10.2.1 Basic settings

| Menu/Setup/General settings | | |
|-----------------------------|---|---|
| Function | Options | Info |
| Device tag | Customized text, 32 characters | ▶ Select any name for your controller, e.g. use the TAG name. |
| Temperature unit | Selection <ul style="list-style-type: none"> ▪ °C ▪ °F ▪ K Factory setting °C | |

| Menu/Setup/General settings | | |
|--|--|---|
| Function | Options | Info |
| Current output range | Selection <ul style="list-style-type: none"> ■ 0..20 mA ■ 4..20 mA Factory setting 4..20 mA | In accordance with NAMUR NE43, the linear range is 3.8 to 20.5 mA (4..20 mA) or 0 to 20.5 mA (0..20 mA). If the range is exceeded or undershot, the current value stops at the range limit and a diagnostic message (460 or 461) is output. |
| Failure current | 0.0 to 23.0 mA Factory setting 22.5 mA | The function meets NAMUR NE43. ▶ Set the current value that should be output at the current outputs in the event of an error. |
|  The value for Failure current should be outside the measuring range. If you have selected Current output range = 0..20 mA , you should set a fault current between 20.1 and 23 mA. If Current output range = 4..20 mA is selected, you could also define a value of < 4 mA as a fault current. The device allows a fault current within the measuring range. In such instances, pay attention to any effects this may have on your process. | | |
| Alarm delay | 0 to 9999 s Factory setting 0 s | The software displays only the errors that are present longer than the set delay time. This makes it possible to suppress messages that only occur briefly and are caused by normal process-specific fluctuations. |
| Device hold | Selection <ul style="list-style-type: none"> ■ Disabled ■ Enabled Factory setting Disabled | You can enable an immediate, general hold (for sensors) here. The function acts in the same way as the HOLD softkey in the measuring screens. |


10.2.2 Date and time

| Menu/Setup/General settings/Date/Time | | |
|---------------------------------------|-----------------------|--|
| Function | Options | Info |
| Set date | Depends on the format | Editing mode: Day (two-digit): 01 to 31 Month (two-digit): 01 to 12 Year (four-digit): 1970 to 2106 |
| Set time | Depends on the format | Editing mode: hh (hour): 00 to 23 / 0 am to 12 pm mm (minutes): 00 to 59 ss (seconds): 00 to 59 |

| Menu/Setup/General settings/Date/Time | | |
|---------------------------------------|---|---|
| Function | Options | Info |
| ► Extended setup | | |
| Date format | Selection <ul style="list-style-type: none"> ■ DD.MM.YYYY ■ YYYY-MM-DD ■ MM-DD-YYYY Factory setting DD.MM.YYYY | ► Select a date format. |
| Time format | Selection <ul style="list-style-type: none"> ■ hh:mm am (12h) ■ hh:mm (24h) ■ hh:mm:ss (24h) Factory setting hh:mm:ss (24h) | ► Choose between 12-hour display or 24-hour display. Seconds can also be displayed with the latter version. |
| Time zone | Selection <ul style="list-style-type: none"> ■ None ■ Choice of 35 time zones Factory setting None | None = Greenwich Mean Time (London). |
| DST | Selection <ul style="list-style-type: none"> ■ Off ■ Europe ■ USA ■ Manual Factory setting Off | The controller adapts the summertime/normal time changeover automatically if you choose European or American daylight saving time. Manual means that you can specify the start and end of daylight saving time yourself. Here, two additional submenus are displayed in which you specify the changeover date and time. |

10.2.3 Hold settings

| Menu/Setup/General settings/Hold settings | | |
|---|---|---|
| Function | Options | Info |
| Settings automatic Hold | | |
| Hold release time | 0 to 600 s Factory setting 0 s | The hold status is maintained for the duration of the delay time when you switch to the measuring mode. |
| Setup menu | Selection <ul style="list-style-type: none"> ■ Disabled ■ Enabled Factory setting Disabled | ► Decide whether the device outputs should switch to the defined hold state when the particular menu is opened. |
| Diagnostics menu | | |
| Calibration active | Factory setting Enabled | |

 If a device-specific hold status is activated, any cleaning previously started is interrupted. When a hold is active you can only start manual cleaning.

10.2.4 Logbooks



Logbooks record the following events:

- Calibration/adjustment events
- Operator events
- Diagnostic events


You define how the logbooks should store the data.

In addition, you can also define individual data logbooks .

1. Assign the logbook name.
2. Select the measured value to be recorded.
3. Set the scan time (**Scan time**).
 - ↳ You can set the scan time individually for every data logbook.

 Further information on the logbooks: →  125.

| Menu/Setup/General settings/Logbooks | | |
|--|---|--|
| Function | Options | Info |
| Logbook ident | Customized text, 16 characters | Part of the file name when exporting a logbook |
| Event logbook | Selection <ul style="list-style-type: none"> ▪ Off ▪ Ring buffer ▪ Fill up buffer Factory setting Ring buffer | All diagnostic messages are recorded Ring buffer If the memory is full, the most recent entry automatically overwrites the oldest entry. Fill up buffer If the memory is full, there is an overflow,i. e. you cannot store any new values. The controller displays a corresponding diagnostic message. The memory then has to be cleared manually. |
| ▶ Overflow warnings Event logbook = Fill up buffer | | |
| Calibration logbook | Selection <ul style="list-style-type: none"> ▪ Off ▪ On Factory setting Off | ▶ Decide whether you want to receive a diagnostic message if the fill buffer of the relevant logbook overflows. |
| Diagnostic logbook | | |
| Configuration logbook | | |
| ▶ Data logbooks | | |
| ▶ New | | You can create a maximum of 8 data logbooks. |
| Logbook name | Customized text, 20 characters | |
| Source of data | Selection <ul style="list-style-type: none"> ▪ Sensor inputs ▪ Heartbeat signals ▪ Controller ▪ Current inputs ▪ Fieldbus signals ▪ Binary inputs ▪ Mathematical functions Factory setting None | ▶ Select a data source for the logbook entries. You can choose from the following: <ul style="list-style-type: none"> ▪ Connected sensors ▪ Available controllers ▪ Current inputs ▪ Fieldbus signals ▪ Binary input signals ▪ Mathematical functions |
| Measured value | Selection Depends on Source of data Factory setting None | You can record different measured values depending on the data source. |

| Menu/Setup/General settings/Logbooks | | |
|--|--|--|
| Function | Options | Info |
| Scan time | 0:00:01 to 1:00:00 Factory setting 0:01:00 | Minimum time interval between two entries Format: H:MM:SS |
| Data logbook | Selection <ul style="list-style-type: none"> ▪ Ring buffer ▪ Fill up buffer Factory setting Ring buffer | Ring buffer If the memory is full, the most recent entry automatically overwrites the oldest entry. Fill up buffer If the memory is full, there is an overflow, i. e. no new values can be saved. The controller displays a corresponding diagnostic message. The memory then has to be cleared manually. |
| Overflow warnings Event logbook = Fill up buffer | Selection <ul style="list-style-type: none"> ▪ Off ▪ On Factory setting Off | ▶ Decide whether you want to receive a diagnostic message if the fill buffer of the relevant logbook overflows. |
| ▷ Add another logbook | Action | Only if you want to create another data logbook immediately. You add a new data logbook at a later date using New . |
| ▷ Finished | Action | This allows you to exit the New menu. |
| ▷ Start/stop simultaneously | Action | Appears if you have created more than one data logbook. With one mouse click, you can start or stop recording all the data logbooks. |
| ▶ Logbook name | | The name of this submenu is based on the name of the logbook and only appears once you have created a logbook. |
|  This menu appears several times if you have several data logbooks. | | |
| Source of data | Read only | This is for information purposes only. If you want to record another value, delete this logbook and create a new data logbook. |
| Measured value | | |
| Log time left Event logbook = Fill up buffer | Read only | Displays the days, hours and minutes remaining until the logbook is full. |
| Log size Event logbook = Fill up buffer | Read only | Displays the number of entries remaining until the logbook is full. |
| Logbook name | Customized text, 20 characters | You can change the name here again. |
| Scan time | 0:00:01 to 1:00:00 Factory setting 0:01:00 | As above Minimum time interval between two entries Format: H:MM:SS |
| Data logbook | Selection <ul style="list-style-type: none"> ▪ Ring buffer ▪ Fill up buffer Factory setting Ring buffer | Ring buffer If the memory is full, the most recent entry automatically overwrites the oldest entry. Fill up buffer If the memory is full, there is an overflow, i. e. no new values can be saved. The controller displays a corresponding diagnostic message. The memory then has to be cleared manually. |
| Overflow warnings Event logbook = Fill up buffer | Selection <ul style="list-style-type: none"> ▪ Off ▪ On Factory setting Off | ▶ Decide whether you want to receive a diagnostic message if the fill buffer of the relevant logbook overflows. |

| Menu/Setup/General settings/Logbooks | | |
|--------------------------------------|--|--|
| Function | Options | Info |
| ▶ Line plotter | | Menu to define the graphic display |
| Axes | Selection <ul style="list-style-type: none"> ▪ Off ▪ On Factory setting On | Should the axes (x, y) be displayed (On) or not (Off)? |
| Orientation | Selection <ul style="list-style-type: none"> ▪ Horizontal ▪ Vertical Factory setting Horizontal | You can choose whether the value curves should be displayed from left to right (Horizontal) or from top to bottom (Vertical). If you want to display two data logbooks simultaneously, make sure that both logbooks have the same settings here. |
| X-Description | Selection <ul style="list-style-type: none"> ▪ Off ▪ On Factory setting On | ▶ Decide whether a description should be displayed for the axes and whether gridlines should be shown. In addition, you can also decide whether pitches should be displayed. |
| Y-Description | | |
| Grids | | |
| Pitches | | |
| X Pitch/Grid distance | 10 to 50% | ▶ Determine the pitch. |
| Y Pitch/Grid distance | Factory setting 10 % | |
| ▷ Remove | Action | This action removes the data logbook. Any data that have not been saved are lost. |



Example: New data logbook (Setup/General settings/Logbooks/Data logbooks/New)

1. Make the settings:
 - Logbook name
Assign a name. Example: "01".
 - Source of data
Select a data source. Example: Sensor connected to channel 1 (CH1).
 - Measured value
Select the measured value to be recorded. Example: pH value.
 - Scan time
Specify the time interval between two logbook entries.
 - Data logbook
Activate the logbook: specify the data storage method.
2. **../Finished:** Perform the action.
 - ↳ The device shows the new logbook in the list of data logbooks.
3. Select data logbook "01".
 - ↳ Additional display: **Log time left**.
4. Only in the case of **Fill up buffer**:
Decide to set **Overflow warning: On** or **Off**.
 - ↳ **On:** The device displays a diagnostic message in the event of memory overflow.
5. **Line plotter** submenu: Specify the type of graphic representation.

10.2.5 Extended setup

Diagnostics settings


The list of diagnostic messages displayed depends on the path selected. There are device-specific messages, and messages that depend on what sensor is connected.

| Menu/Setup/(General settings or Inputs<Sensor channel>)/Extended setup/Diagnostics settings/Diag. behavior | | |
|--|--|--|
| Function | Options | Info |
| List of diagnostic messages | | <ul style="list-style-type: none"> ▶ Select the message to be changed. Only then is it possible to make the settings for this message. |
| Diag. code | Read only | |
| Diagnostic message | Selection <ul style="list-style-type: none"> ▪ On ▪ Off Factory setting Depends on the message | Deactivate the diagnostic message or activate it again. Deactivating means: <ul style="list-style-type: none"> ▪ No error message in the measuring mode ▪ No failure current at the current output |
| Failure current | Selection <ul style="list-style-type: none"> ▪ On ▪ Off Factory setting Depends on the message | <ul style="list-style-type: none"> ▶ Decide whether a failure current should be output at the current output if the diagnostic message display is activated.  In the event of general device errors, the failure current is output at all the current outputs. In the event of channel-specific errors, the failure current is only output at the assigned current output. |
| Status signal | Selection <ul style="list-style-type: none"> ▪ Maintenance (M) ▪ Out of specification (S) ▪ Function check (C) ▪ Failure (F) Factory setting Depends on the message | The messages are divided into different error categories in accordance with NAMUR NE 107. <ul style="list-style-type: none"> ▶ Decide whether a status signal assignment should be changed for the application. |
| Diag. output | Selection <ul style="list-style-type: none"> ▪ None ▪ Alarm relay ▪ Binary output ▪ Relay 1 to n (depends on the device version) Factory setting None | Select an output to which the diagnostic message should be assigned. A relay output must first be configured for Diagnostics before it is possible to assign the message to an output. (Menu/Setup/Outputs: Assign the Diagnostics function and set Operating mode to as assigned.) |
|  Alarm relays are available, depending on the device version. | | |
| Cleaning program (for sensors) | Selection <ul style="list-style-type: none"> ▪ None ▪ Cleaning 1 ▪ Cleaning 2 ▪ Cleaning 3 ▪ Cleaning 4 Factory setting None | <ul style="list-style-type: none"> ▶ Decide whether the diagnostic message should trigger a cleaning program. The cleaning programs can be defined under: Menu/Setup/Additional functions/Cleaning. |
| Detailed information | Read only | Additional information on the diagnostic message and instructions on how to resolve the problem. |



HART bus address

The list of diagnostic messages displayed depends on the path selected. There are device-specific messages, and messages that depend on what sensor is connected.


| Menu/Setup/General settings/Extended setup/HART | | |
|---|--|---|
| Function | Options | Info |
| Bus address | 0 to 63 Factory setting 0 | You can change the device address to integrate several HART devices in a single network (Multidrop mode). |

 If you reset the device to the factory settings (**Diagnostics/Reset/Factory default**), the bus address is not reset. Your setting is retained.

PROFIBUS DP

| Menu/Setup/General settings/Extended setup/PROFIBUS | | |
|---|--|---|
| Function | Options | Info |
| Enable | Selection <ul style="list-style-type: none"> ▪ Off ▪ On Factory setting On | You can switch off communication at this point. The software can then only be accessed via local operation. |
| Termination | Read only | If the device is the last in the bus, you can terminate via the hardware. →  37 |
| Bus address | 1 to 125 | If you have addressed the bus via hardware (DIP switches on the module, →  37), you can only read the address here. If an invalid address is set via the hardware, you have to assign a valid address for your device either here or via the bus. |
| Ident number | Selection <ul style="list-style-type: none"> ▪ Automatic ▪ PA-Profile 3.02 (9760) ▪ Liquiline CM44x (155D) ▪ Manufacturer specific Factory setting Automatic | |

Modbus

| Menu/Setup/General settings/Extended setup/Modbus | | |
|---|--|---|
| Function | Options | Info |
| Enable | Selection <ul style="list-style-type: none"> ▪ Off ▪ On Factory setting On | You can switch off communication at this point. The software can then only be accessed via local operation. |
| Termination | Read only | If the device is the last in the bus, you can terminate via the hardware. →  37 |

| Menu/Setup/General settings/Extended setup/Modbus | | |
|---|--|---|
| Function | Options | Info |
| Settings | | |
| Transmission mode | Selection <ul style="list-style-type: none"> ▪ TCP ▪ RTU ▪ ASCII Factory setting (Modbus-RS485 only) RTU | The transmission mode is displayed depending on the version ordered. In the case of RS485 transmission, you can choose between RTU and ASCII . There are no choices for Modbus-TCP. |
| Baudrate <i>Modbus-RS485 only</i> | Selection <ul style="list-style-type: none"> ▪ 1200 ▪ 2400 ▪ 4800 ▪ 9600 ▪ 19200 ▪ 38400 ▪ 57600 ▪ 115200 Factory setting 19200 | |
| Parity <i>Modbus-RS485 only</i> | Selection <ul style="list-style-type: none"> ▪ Even (1 Stopbit) ▪ Odd (1 Stopbit) ▪ None (2 Stopbit) Factory setting Even (1 Stopbit) | |
| Byte order | Selection <ul style="list-style-type: none"> ▪ 1-0-3-2 ▪ 0-1-2-3 ▪ 2-3-0-1 ▪ 3-2-1-0 Factory setting 1-0-3-2 | |
| Watchdog | 0 to 999 s Factory setting 5 s | If no data transmission takes place for longer than the time set, this is an indicator that communication has been interrupted. After this time, input values received via the Modbus are considered to be invalid. |

Web server

| Menu/Setup/General settings/Extended setup/Webserver | | |
|--|---|--|
| Function | Options | Info |
| Webserver | Selection <ul style="list-style-type: none"> ▪ Off ▪ On Factory setting On | You can switch off communication at this point. The software can then only be accessed via local operation. |
| Webserver TCP port 80 | Read only | The Transmission Control Protocol (TCP) is an arrangement (protocol) as to how data should be exchanged between computers. A port is a part of an address which assigns data segments to a network protocol. |
| Webserver login | Selection <ul style="list-style-type: none"> ▪ Off ▪ On Factory setting On | You can switch user administration on and off at this point. This makes it possible to create multiple users with password access. |


| Menu/Setup/General settings/Extended setup/Webserver | | |
|--|-----------|--|
| Function | Options | Info |
| User administration | | |
| List of users already created | View/edit | You can change user names or passwords or delete users. A user is already created at the factory: "admin" with password "admin". |
| New user: | | |
| Name | Free text | Create new user 1. INSERT . 2. Assign any name to the new user. 3. Select a password for the user. 4. Confirm password. ↳ You can now change the password at any time. |
| Enter new user password | Free text | |
| Confirm new user password | Free text | |
| Change user password | Free text | |

PROFINET

| Menu/Setup/General settings/Extended setup/PROFINET | | |
|---|---|---|
| Function | Options | Info |
| Name of station | Read only Factory setting Empty character string | Symbolic name for unique identification of the field device in a PROFINET system. The parameter can only be written via the DCP protocol. |

Ethernet/IP or Ethernet (depending on the protocol)

-  If PROFINET is used, the settings in this menu are read only settings. The network settings are made via the PROFINET-DCP protocol.
-  For detailed information on "PROFINET communication", see the product pages on the internet (→ SD02490C).

| Menu/Setup/General settings/Extended setup/Ethernet | | |
|---|--|---|
| Function | Options | Info |
| Enable | Selection <ul style="list-style-type: none"> ▪ Off ▪ On Factory setting On | You can switch off communication at this point. The software can then only be accessed via local operation. |
| Settings | | |
| Link settings | Selection <ul style="list-style-type: none"> ▪ Auto negotiation ▪ 10MBps half duplex ▪ 10MBps full duplex ▪ 100MBps half duplex ▪ 100MBps full duplex Factory setting Auto negotiation | Transmission methods of the communication channels <ul style="list-style-type: none"> ▪ Full duplex: Data can be transmitted and received simultaneously. ▪ Half-duplex: Data can be transmitted and received on an alternating basis only, i.e. not simultaneously. |
| DHCP | Selection <ul style="list-style-type: none"> ▪ Off ▪ On Factory setting On | The Dynamic Host Configuration Protocol (DHCP) makes it possible to assign the network configuration to clients via a server. With DHCP, it is possible to automatically integrate the device into an existing network without the need for manual configuration. Normally only the automatic assignment of the IP address must be configured at the client. During startup, the IP address, the netmask and the gateway are retrieved from a DHCP server.  Do you want to assign the IP address of the device manually? If so, you have to set DHCP = Off . |
| IP address | xxx.xxx.xxx.xxx | An IP address is an address in computer networks which are based on the Internet protocol (IP). You can only set the IP address if DHCP is switched off. |
| Netmask | xxx.xxx.xxx.xxx | On the basis of the IP address of a device, the netmask specifies which IP addresses this device searches for in its own network and which addresses it could access in other networks via a router. It therefore divides the IP address into a network part (network prefix) and a device part. The network part must be identical for all devices in the individual network, and the device part must be different for every device within the network. |
| Gateway | x.x.x.x | A gateway (protocol converter) enables communication between networks that are based on completely different protocols. |
| Service switch | Read only | |
| MAC address | Read only | The MAC address (Media Access Control address) is the hardware address of every individual network adapter which is used to uniquely identify the device in a computer network. |
| EtherNetIP Port 44818 | Read only | A port is a part of an address which assigns data segments to a network protocol. |


Accepting settings

Have you changed settings manually, such as the IP address?

- ▶ Before you leave the **Ethernet** menu:
 - select **SAVE** to apply your settings.
 - ↳ In the **DIAG/System information** menu you can check whether the new settings are used.

Data management

Firmware update

 Please contact your local sales office for information on firmware updates available for your controller and its compatibility with earlier versions.

Current firmware version : Menu/Diagnostics/System information.

- ▶ Back up your current setup and your logbooks to an SD card.

To install a firmware update, you must have the update available on an SD card.

1. Insert the SD card into the controller card reader.
2. Go to **Menu/Setup/General settings/Extended setup/Data management/Firmware update**.
 - ↳ The update files on the SD card are displayed.
3. Select the desired update and select yes when asked the following:
 - The current firmware will be overwritten.
 - After this the device will reboot.
 - Do you want to proceed?
 - ↳ The firmware is loaded and the device is then started with the new firmware.

Saving the setup

Saving a setup offers the following advantages, among others :

- Copying settings for other devices
- Quick and easy switching between various setups, e. g. for different user groups or for recurring sensor type changes
- Restoring a tried-and-tested setup, e. g. if you have changed a lot of settings and no longer know what the original settings were

1. Insert the SD card into the controller card reader.
2. Go to **Menu/Setup/General settings/Extended setup/Data management/Save setup** .
3. **Name:** Assign a file name.
4. Then select **Save** .
 - ↳ If you have already assigned the file name, you will be asked whether you want to overwrite the existing setup.
5. Use **OK** to confirm or cancel and assign a new file name.
 - ↳ Your setup is stored on the SD card and you can upload it quickly to the device at a later date.

Loading the setup

When you load a setup, the current configuration is overwritten.

1. Insert the SD card into the controller card reader. A setup must have been saved to the SD card.


2. Go to **Menu/Setup/General settings/Extended setup/Data management/Load setup** .
 - ↳ A list of all the setups on the SD card is displayed.
An error message is displayed if there is no valid setup on the card.
3. Select the desired setup.
 - ↳ A warning is displayed:
The current parameters will be overwritten and the device will reboot.
Warning: Please note that cleaning and controller programs can be active.
Do you want to proceed?
4. Use **OK** to confirm or cancel.
 - ↳ If you select **OK** to confirm, the device restarts with the desired setup.

Exporting the setup

Exporting a setup offers the following advantages, among others:

- Export in XML format with a stylesheet for formatted display in an XML-compatible application, such as . Microsoft Internet Explorer
- Importing the data (drag and drop the XML file into a browser window)


1. Insert the SD card into the controller card reader.
2. Go to **Menu/Setup/General settings/Extended setup/Data management/Export setup** .
3. **Name:** Assign a file name.
4. Then select **Export** .
 - ↳ If you have already assigned the file name, you will be asked whether you want to overwrite the existing setup.
5. Use **OK** to confirm or cancel and assign a new file name.
 - ↳ Your setup is saved on the SD card in the "Device" folder.

 You cannot upload the exported setup to the device again. You must use the **Save setup** . This is the only way you can save a setup to an SD card and reload it later on or upload it to other devices.

Activation code

Activation codes are required for:

- Additional functions, e. g. Fieldbus communication
- Firmware upgrades
- Modifications, e.g. deactivation of fieldbus protocols

 If the original device has activation codes, these can be found on the nameplate. The corresponding device functions are activated at the factory. Codes are only required if servicing the device or deactivating fieldbus protocols.

1. Enter the activation code: **Menu/Setup/General settings/Extended setup/Data management/Activation code**.
2. Confirm your entry.
 - ↳ The new hardware or software function is activated and can be configured.

Functions that are enabled by an activation code:

| Function | Activation code beginning with |
|--|--------------------------------|
| Second Memosens input (CM442R only) | 062... |
| Fieldbus deactivation when removing module 485DP/485MB ¹⁾ | 0B0... |
| 2 current outputs (BASE2-E module only) | 081... |
| Web server ^{2) 3)} | 351... |

| Function | Activation code beginning with |
|--|--------------------------------|
| HART | 0B1... |
| PROFIBUS DP | 0B3... |
| Modbus TCP ³⁾ | 0B8... |
| Modbus RS485 | 0B5... |
| EtherNet/IP ³⁾ | 0B9... |
| PROFINET | 0B7... |
| Measuring range switching, set 1 | 211... |
| Measuring range switching, set 2 ⁴⁾ | 212... |
| Feedforward control | 220... |
| Chemoclean Plus | 25... |
| Cation exchanger capacity ⁵⁾ | 301... |
| Formula ⁶⁾ | 321... |
| Heartbeat monitoring | 2D1... |
| Heartbeat verification | 2E1... |

- 1) If module 485DP/485MB is removed with the fieldbus protocol activated, the device outputs an error message. Enter the activation code from the inside nameplate. The fieldbus is only deactivated once you do this. The appropriate activation code must then be entered to activate current outputs of the base module. Additional current outputs (CM444R and CM448R only) are activated as soon as the corresponding module is used.
- 2) Via Ethernet socket of the BASE2 module, for versions without an Ethernet fieldbus
- 3)
- 4) When you order the "Measuring range switching" option, you receive two activation codes. Enter both in order to have two sets for measuring range switching.
- 5) Mathematical function
- 6) Mathematical function

Change password

You can lock the operating keys with a password (access the context menu by pressing the navigator for longer). The keys can then only be enabled by entering the right password.

You can set the password to lock the keys here: **Menu/Setup/General settings/Extended setup/Data management/Change key lock password.**

1. Enter the current password (factory setting 0000).
 - ↳ Enter new password
2. Enter a new password.
 - ↳ Confirm new password
3. Enter the new password again.
 - ↳ The password has been changed successfully.

Press the navigator for longer to return to the measuring mode.

10.3 Current inputs

The input can be used as the data source for limit switches and logbooks, for example. Furthermore, external values can be made available as set points for controllers.

| Menu/Setup/Inputs/Current input x:y ¹⁾ | | |
|--|--|--|
| Function | Options | Info |
| Mode | Selection <ul style="list-style-type: none"> ■ Off ■ 0 - 20mA ■ 4 - 20mA Factory setting 4 - 20mA | <ul style="list-style-type: none"> ▶ Select the same current range as in the data source (connected device). |
| Input variable | Selection <ul style="list-style-type: none"> ■ Flow rate ■ Parameter ■ Current Factory setting Current | <ul style="list-style-type: none"> ▶ Select the input variable. |
| Meas. value format | Selection <ul style="list-style-type: none"> ■ # ■ #.# ■ #.## ■ #.### Factory setting #.# | <ul style="list-style-type: none"> ▶ Specify the number of decimal places. |
| Parameter name Input variable = Parameter | Customized text, 16 characters | <ul style="list-style-type: none"> ▶ Assign a useful name, e.g. the parameter name that the data source also uses. |
| Unit of measure Input variable = Parameter | Customized text, 16 characters | You cannot choose the unit from a list. If you want to use a unit, you must enter it here as customized text. |
| Lower range value Input variable = Parameter | -20.0 ... Upper range value <unit of measure> Factory setting 0.0 <engineering unit> | <ul style="list-style-type: none"> ▶ Enter the measuring range. The lower and upper range values are assigned to the 0 or 4 mA value and the 20 mA value respectively. The system uses the engineering unit which you entered beforehand. |
| Upper range value Input variable = Parameter | Lower range value to 10000.0 <engineering unit> Factory setting 10.0 <engineering unit> | |
| Damping | 0 to 60 s Factory setting 0 s | The damping causes a floating average curve of the measured values over the time specified. |

1) x:y = slot no. : input number

10.4 Outputs



10.4.1 Current outputs

The basic version of the device always has two current outputs.

You can configure additional current outputs with extension modules.

Setting the current output range

▶ **Menu/Setup/General settings: 0..20 mA or 4..20 mA.**

| Menu/Setup/Outputs/Current output x:y ¹⁾ | | |
|--|---|--|
| Function | Options | Info |
| Current output | Selection <ul style="list-style-type: none"> ▪ Off ▪ On Factory setting Off | Use this function to activate or deactivate a variable being output at the current output |
| Source of data | Selection <ul style="list-style-type: none"> ▪ None ▪ Connected inputs ▪ Controller Factory setting None | The sources of data on offer depend on your device version. The all the sensors and controllers connected to inputs are available for selection. |
| Measured value | Selection <ul style="list-style-type: none"> ▪ None ▪ Depends on the Source of data Factory setting None | The measured value you can select depends on the option selected under Source of data . |
|  The list of dependent measured values is provided in the Measured value table , <i>subject to the Source of data</i> →  68. Apart from measured values from connected sensors, you can also select a controller as the data source. The best way to do so is by using the Additional functions menu. Here, you can select and configure the current output for outputting the controlled variable. | | |
| Range lower value | Range of adjustment and factory settings depend on the Measured value | You can output the entire measuring range or just some of it at the current output. To do so, specify the upper and lower range values in accordance with your requirements. |
| Range upper value | | |
| Hold behavior | Selection <ul style="list-style-type: none"> ▪ Freeze last value ▪ Fixed value ▪ Ignore Factory setting Depends on the channel:output | Freeze last value The device freezes the last current value. Fixed value You define a fixed current value that is output at the output. Ignore A hold does not affect this current output. |
| Hold current Hold behavior = Fixed value | 0.0 to 23.0 mA Factory setting 22.0 mA | ► Specify which current should be output at this current output in the hold state. |

1) x:y = slot:output number

Measured value depending on the Source of data

| Source of data | Measured value |
|----------------|--|
| pH Glass | Selection <ul style="list-style-type: none"> ▪ Raw value mV ▪ pH ▪ Temperature |
| pH ISFET | |
| ORP | Selection <ul style="list-style-type: none"> ▪ Temperature ▪ ORP mV ▪ ORP % |

| Source of data | Measured value |
|------------------------|---|
| Oxygen (amp.) | Selection <ul style="list-style-type: none"> ■ Temperature ■ Partial pressure ■ Concentration liquid ■ Saturation ■ Raw value nA (only Oxygen (amp.)) ■ Raw value μs (only Oxygen (opt.)) |
| Oxygen (opt.) | |
| Cond i | Selection <ul style="list-style-type: none"> ■ Temperature ■ Conductivity ■ Resistance (only Cond c) ■ Concentration (only Cond i and Cond c 4-pol) |
| Cond c | |
| Cond c 4-pol | |
| Disinfection | Selection <ul style="list-style-type: none"> ■ Temperature ■ Sensor current ■ Concentration |
| ISE | Selection <ul style="list-style-type: none"> ■ Temperature ■ pH ■ Ammonium ■ Nitrate ■ Potassium ■ Chloride |
| TU/TS | Selection <ul style="list-style-type: none"> ■ Temperature ■ Turbidity g/l (only TU/TS) ■ Turbidity FNU (only TU/TS) ■ Turbidity Formazine (only TU) ■ Turbidity solid (only TU) |
| TU | |
| Nitrate | Selection <ul style="list-style-type: none"> ■ Temperature ■ NO₃ ■ NO₃-N |
| Ultrasonic interface | Selection Interface |
| SAC | Selection <ul style="list-style-type: none"> ■ Temperature ■ SAC ■ Transm. ■ Absorption ■ COD ■ BOD |
| Controller 1 | Selection <ul style="list-style-type: none"> ■ Bipolar (only for current outputs) ■ Unipolar+ ■ Unipolar- |
| Controller 2 | |
| Mathematical functions | All the mathematical functions can also be used as a data source and the calculated value can be used as the measured value. |

Outputting the controller manipulated variable via the current output

Unipolar+ Assign to the output to which an actuator that can increase the measured value is connected. **Unipolar-** Assign to the output to which an actuator that can decrease the measured value is connected.

To output the manipulated variable of a two-sided controller, positive manipulated variables and negative manipulated variables generally have to be output to different actuators, as most actuators are able to influence the process in one direction only (not in both). For this purpose, the instrument splits the bipolar manipulated variable y into two unipolar manipulated variables, $y+$ and $y-$.


Only the two unipolar manipulated variable parts are available for selection for outputting to modulated relays. If outputting the values via a current output, you also have the possibility of outputting the bipolar manipulated variable y to one current output only (split range).

10.4.2 Alarm relay and optional relays

The basic version of the device always has one alarm relay. Additional relays are also available depending on the version of the device.


The following functions can be output via a relay:

- Limit switch status
- Controller manipulated variable for controlling an actuator
- Diagnostic messages
- Status of a cleaning function in order to control a pump or a valve

 You can assign a relay to multiple inputs in order to clean several sensors with just one cleaning unit, for example.

| Menu/Setup/Outputs/Alarm relay or relay at channel no. | | |
|--|--|---|
| Function | Options | Info |
| Function | <p>Selection</p> <ul style="list-style-type: none"> ▪ Off ▪ Limit switch ▪ Controller ▪ Diagnostics ▪ Cleaning (sensor) ▪ Formula (sensor) ▪ Device status signal <p>Factory setting</p> <ul style="list-style-type: none"> ▪ Alarm relays: Diagnostics ▪ Other relays: Off | <p>The following functions depend on the option selected. These versions are illustrated individually in the following sections to provide a clearer understanding of the options.</p> <p>Function = Off Switches off the relay function and means no further settings are required.</p> |

Outputting the status of a limit switch

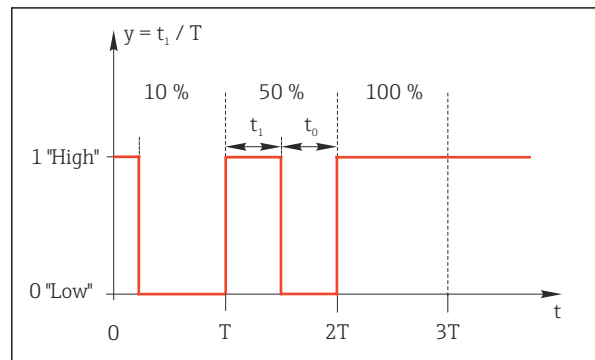
| Function = Limit switch | | |
|-------------------------|--|---|
| Function | Options | Info |
| Source of data | Selection Limit switch 1 ... 8 Factory setting None | Select the limit switch via which the status of the relay is to be output. The limit switches are configured in the menu: Setup/Additional functions/Limit switches .  Use the ALL and NONE soft keys to select or deselect all the limit switches in one go. |
| Hold behavior | Selection <ul style="list-style-type: none"> ▪ Freeze last value ▪ Fixed value ▪ Ignore Factory setting Ignore | |

Outputting the manipulated variable of a controller

To output a controller manipulated variable via a relay, the relay is modulated. The relay is energized (pulse, t_1) and is then de-energized (interval, t_0).

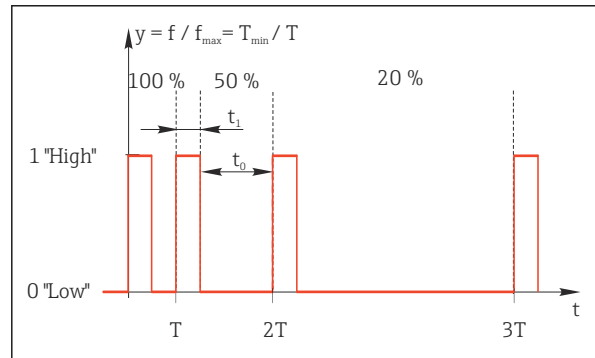
| Function = Controller | | |
|-----------------------|--|---|
| Function | Options | Info |
| Source of data | Selection <ul style="list-style-type: none"> ▪ None ▪ Controller 1 ▪ Controller 2 Factory setting None | <ul style="list-style-type: none"> ▶ Select the controller that should act as the data source. |
| Operating mode | Selection <ul style="list-style-type: none"> ▪ PWM ▪ PFM Factory setting PWM | PWM=pulse width modulation PFM=pulse frequency modulation |

1. **PWM** (pulse width modulation):
The duty cycle is varied within a period T ($T=t_1+t_0$). The cycle duration remains constant.



50 Typical application: solenoid valve

2. **PFM** (pulse frequency modulation):
Here, pulses of a constant length (t_1) are output and the interval between the pulses varies (t_0). At a maximum frequency, $t_1 = t_0$.



51 Typical application: dosing pump

| Function = Controller | | |
|---|--|--|
| Function | Options | Info |
| Actuator type | Selection <ul style="list-style-type: none"> ■ None ■ Unipolar(-) ■ Unipolar(+) Factory setting None | Here you specify what part of the controller should power the relay. Unipolar(+) is the part of the manipulated variable which the controller uses to increase the process value (e.g. for heating purposes). Alternatively, select Unipolar(-) if you are connecting an actuator to the relay that reduces the controlled variable (e.g. for cooling purposes). |
| Cycle duration Operating mode = PWM | Shortest turn-on time to 999.0 s Factory setting 10.0 s | <ul style="list-style-type: none"> ► Specify the cycle duration within which the duty cycle should be varied (only PWM). |
| The settings for Cycle duration and Shortest turn-on time influence one another. The following applies: Cycle duration ≥ Shortest turn-on time. | | |
| Shortest turn-on time Operating mode = PWM | 0.3 s to Cycle duration Factory setting 0.3 s | Pulses that are shorter than this limit value are not output in order to conserve the actuator. |

| Function = Controller | | |
|--|--|--|
| Function | Options | Info |
| Maximum frequency Operating mode = PFM | 1 to 180 min ⁻¹ Factory setting 60 min ⁻¹ | Maximum number of pulses per minute The controller calculates the pulse duration based on this setting. |
| Hold behavior | Selection <ul style="list-style-type: none"> ▪ Freeze last value ▪ Fixed value ▪ Ignore Factory setting Ignore | |

Outputting diagnostic messages via the relay

If a relay is defined as a diagnostic relay (**Function = Diagnostics**), it operates in "**Fail-safe mode**".

This means that the relay is always energized ("normally closed", n.c.) in the basic state if an error is not present. This enables it to also indicate a voltage drop, for example. The alarm relay always works in the failsafe mode.

You can output two categories of diagnostic messages via the relay:

- Diagnostic messages from one of the four NAMUR classes → 118
- Diagnostic messages which you have individually assigned to the relay output

A message is individually assigned to the relay output at 2 specific points in the menu:

- **Menu/Setup/General settings/Extended setup/Diagnostics settings/Diag. behavior** (device-specific messages)
- **Menu/Setup/Inputs/<Sensor>/Extended setup/Diagnostics settings/Diag. behavior** (sensor-specific messages)

 Before you can assign a special message to the relay output in **Diag. behavior**, you need to set **Outputs/relay x:y** or **/Alarm relay/Function = Diagnostics**.

| Function = Diagnostics | | |
|---|---|--|
| Function | Options | Info |
| Operating mode | Selection <ul style="list-style-type: none"> ▪ as assigned ▪ NAMUR M ▪ NAMUR S ▪ NAMUR C ▪ NAMUR F Factory setting <ul style="list-style-type: none"> ▪ Relay: as assigned ▪ Alarm relays: NAMUR F | as assigned If this option is selected, the diagnostic messages which you have individually assigned to the relay are output via the relay. NAMUR M ... NAMUR F If you decided to use one of the NAMUR classes, all the messages that are assigned to the individual class are output via the relay. You can also change the NAMUR class assignment for every diagnostic message. (Menu/Setup/General settings/Extended setup/Diagnostics settings/Diag. behavior or Menu/Setup/Inputs/<Sensor>/Extended setup/Diagnostics settings/Diag. behavior) |
| Attributed diagnostic messages Operating mode = as assigned | Read only | All the messages assigned to the relay output appear on the display. You do not have the option of editing the information here. |

Outputting diagnosis messages from the CYA27 assembly

| Function = Device status signal | | |
|---------------------------------|--|---|
| Function | Options | Info |
| Operating mode | Selection <ul style="list-style-type: none"> ▪ OK ▪ NAMUR M ▪ NAMUR S ▪ NAMUR C ▪ NAMUR F Factory setting All disabled | The function allows the status signals of the CYA27 assembly to be output via a relay. Several signals can be output in parallel during this process. |


Outputting the status of a cleaning function

| Function = Cleaning | | |
|---------------------|--|---|
| Function | Options | Info |
| Assignments | Selection <ul style="list-style-type: none"> ▪ None ▪ Depends on the type of cleaning Factory setting None | Here you can specify how a cleaning function should be displayed for the relay. You have the following options depending on the cleaning program that is selected (Menu/Setup/Additional functions/Cleaning): <ul style="list-style-type: none"> ▪ Cleaning type = Standard clean Cleaning 1 - Water, Cleaning 2 - Water, Cleaning 3 - Water, Cleaning 4 - Water ▪ Cleaning type = Chemoclean Cleaning 1 - Water, Cleaning 1 - Cleaner, Cleaning 2 - Water, Cleaning 2 - Cleaner, Cleaning 3 - Water, Cleaning 3 - Cleaner, Cleaning 4 - Water, Cleaning 4 - Cleaner ▪ Cleaning type = Chemoclean Plus 4x Cleaning 1 - %OV, 4x Cleaning 2 - %OV¹⁾ |
| Hold behavior | Selection <ul style="list-style-type: none"> ▪ Freeze last value ▪ Fixed value ▪ Ignore Factory setting Ignore | Freeze last value The device freezes the last measured value. Fixed value You define a fixed measured value that is output at the output. Ignore A hold has no effect. |

1) %OV is variable text which you can assign in **Menu/Setup/Additional functions/Cleaning/Chemoclean Plus/Output label 1 ... 4**.

Formula


| Function = Controller | | |
|-----------------------|--|--|
| Function | Options | Info |
| Operating mode | Selection <ul style="list-style-type: none"> ▪ PWM ▪ PFM Factory setting PWM | PWM=pulse width modulation PFM=pulse frequency modulation → 72 |
| Source of data | Selection <ul style="list-style-type: none"> ▪ List of available formulas ▪ Maximum of 8 formulas | Mathematical functions of type Formula must be available. <ul style="list-style-type: none"> ▶ Select the formula which is to serve as a data source. |
| Range lower value | 0 to 9999 | |

| Function = Controller | | |
|--|--|--|
| Function | Options | Info |
| Range upper value | Range lower value to 9999 | |
| Cycle duration Operating mode = PWM | Shortest turn-on time to 999.0 s Factory setting 10.0 s | ► Specify the cycle duration within which the duty cycle should be varied (only PWM). |
|  The settings for Cycle duration and Shortest turn-on time affect one another. The following applies: Cycle duration ≥ Shortest turn-on time . | | |
| Shortest turn-on time Operating mode = PWM | 0.3 s to Cycle duration Factory setting 0.3 s | Pulses that are shorter than this limit value are not output in order to conserve the actuator. |
| Maximum frequency Operating mode = PFM | 1 to 180 min ⁻¹ Factory setting 60 min ⁻¹ | Maximum number of pulses per minute The controller calculates the pulse duration based on this setting. |
| Hold behavior | Selection <ul style="list-style-type: none"> ■ Freeze last value ■ Fixed value ■ Ignore Factory setting Ignore | |


10.4.3 HART

Specify which device variables should be output via HART communication.

You can define a maximum of 16 device variables.

1. Specify the data source.
 - ↳ You can choose from sensor inputs and controllers.
2. Select the measured value to be output.
3. Specify the behavior in "Hold" status. (Configuration options of **Source of data**, **Measured value** and **Hold behavior**) →  68

Please note that if you select **Hold behavior = Freeze**, the system not only flags the status but also actually "freezes" the measured value.

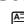
 More information is provided in:
Operating Instructions "HART Communication", BA00486C

10.4.4 PROFIBUS DP and PROFINET

Device variables (device → PROFIBUS/PROFINET)

Here you can specify which process values should be mapped to the PROFIBUS function blocks and are thereby available for transmission via PROFIBUS communication.

You can define a maximum of 16 device variables (AI Blocks).

1. Define the data source.
 - ↳ You can choose from sensor inputs, current inputs and mathematical functions.
2. Choose the measured value to be transmitted.
3. Define how the device should behave in the hold state. (Configuration options of **Source of data**, **Measured value** and **Hold behavior**) →  68

Please note that if you select **Hold behavior= Freeze**, the system not only flags the status but also actually "freezes" the measured value.

In addition, you can define 8 binary variables (DI Blocks):

1. Define the data source.
2. Select the limit switch or relay whose status is to be transmitted.

PROFIBUS/PROFINET variables (PROFIBUS/PROFINET → device)

A maximum of 4 analog (AO) and 8 digital (DO) PROFIBUS variables are available as measured values in the controller, limit switch or current output menus.

Example: Using an AO or DO value as the set point for the controller

Menu/Setup/Additional functions/Controller 1

1. In the specified menu, define PROFIBUS as the data source.
2. Select the desired analog output (AO) or digital output (DO) as the measured value.



Further information on "PROFIBUS" can be found in the Guideline for Communication via PROFIBUS, SD01188C



Further information on "PROFINET" can be found in the Guideline for Communication via PROFINET, SD02490C

10.4.5 Modbus RS485 and Modbus TCP

Specify which process values should be output via Modbus RS485 Communication or via Modbus TCP.

In the case of Modbus RS485, you can switch between the RTU and the ASCII protocol.

You can define a maximum of 16 device variables.

1. Define the data source.
 - ↳ You can choose from sensor inputs and controllers.
2. Select the measured value to be output.
3. Define how the device should behave in the hold state. (Configuration options of **Source of data, Measured value and Hold behavior**) → 68

Please note that if you select **Hold behavior = Freeze**, the system not only flags the status but also actually "freezes" the measured value.



Further information on "Modbus" can be found in the Guideline for Communication via Modbus, SD01189C

10.4.6 Ethernet/IP

Specify which process values should be output via EtherNet/IP communication.

You can define a maximum of 16 analog device variables (AI).

1. Define the data source.
 - ↳ You can choose from sensor inputs and controllers.
2. Select the measured value to be output.
3. Define how the device should behave in the hold state. (Configuration options of **Source of data, Measured value and Hold behavior**) → 68
4. In the case of controllers, also specify the type of manipulated variable.

Please note that if you select **Hold behavior = Freeze**, the system not only flags the status but also actually "freezes" the measured value.

In addition you can define digital device variables (DI):


- ▶ Define the data source.
 - ↳ You can choose from relays, binary inputs and limit switches.



For further information on "EtherNet/IP", see the Guideline for Communication via EtherNet/IP, SD01293C

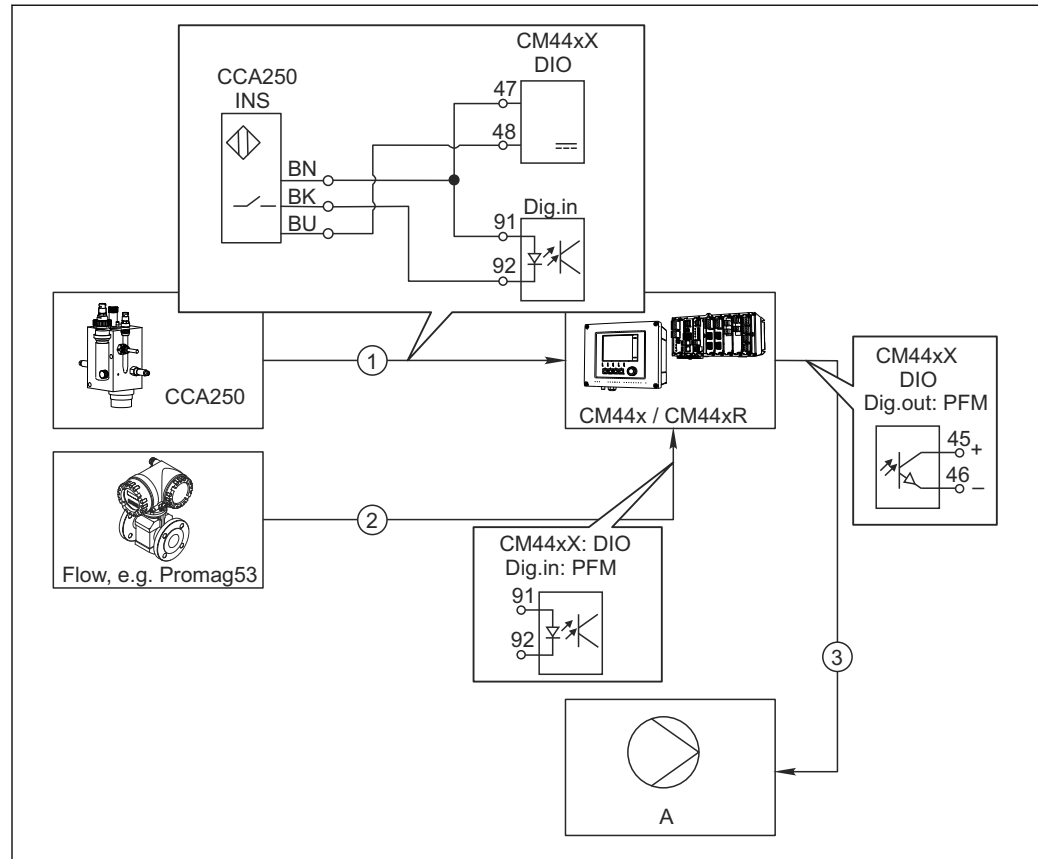
10.5 Binary inputs and outputs

Hardware options, such as the DIO module with 2 digital inputs and 2 digital outputs or fieldbus module 485DP/485MB enable the following:

- Via a digital input signal
 - measuring range switching for conductivity (upgrade code required, →  65)
 - switching between different calibration datasets in the case of optical sensors
 - external hold
 - a cleaning interval to be triggered
 - PID controller switch-on/switch-off, e.g. via the proximity switch of the CCA250
 - the use of the input as an "analog input" for pulse-frequency modulation (PFM)
- Via a digital output signal
 - diagnostic states, point level switches, or similar states transmitted statically (similar to a relay)
 - the dynamic transmission (comparable to a non-wearing "analog output") of PFM signals, e.g. to control dosing pumps

10.5.1 Application examples

Chlorine regulation with feedforward control



A0028316

Fig. 52 Example of chlorine control with feedforward control

- 1 Connection of the inductive proximity switch INS of CCA250 to the digital input of the DIO module
- 2 Connection of the signal from a flowmeter to the digital input of the DIO module
- 3 Activation of a (pulse) dosing pump via the digital output of the DIO module
- A Dosing pump

Utilize the advantage of the effectively wear-free control with binary outputs versus a control system with relay. With pulse frequency modulation (PFM), it is possible to achieve virtually continuous dosing using a dosing pump with higher input frequency.

1. Connect the INS proximity switch of the CCA250 assembly to a digital input of the DIO module (e.g. slot 6, port 1).
2. In the software, configure a controller and as the source select the binary input (e.g. **Binary input 1**) to which the proximity switch is connected. (**Menu/Additional functions/Controllers/Controller 1/Controller enable = Binary input 1**)
3. **Signal type:** For the selected input, select the factory setting (**Static signal**).
4. Connect the measured value of a flowmeter to the second input of the DIO module (e.g. slot 6, port 2).
5. **Signal type:** for this input, select **PFM**. (**Menu/Inputs/Binary input 6:2/Signal type = PFM**)
6. **Input variable:** select the corresponding measured value (**Flow rate**).
 - ↳ You can now use the input you have just configured as the disturbance variable for your controller²⁾.

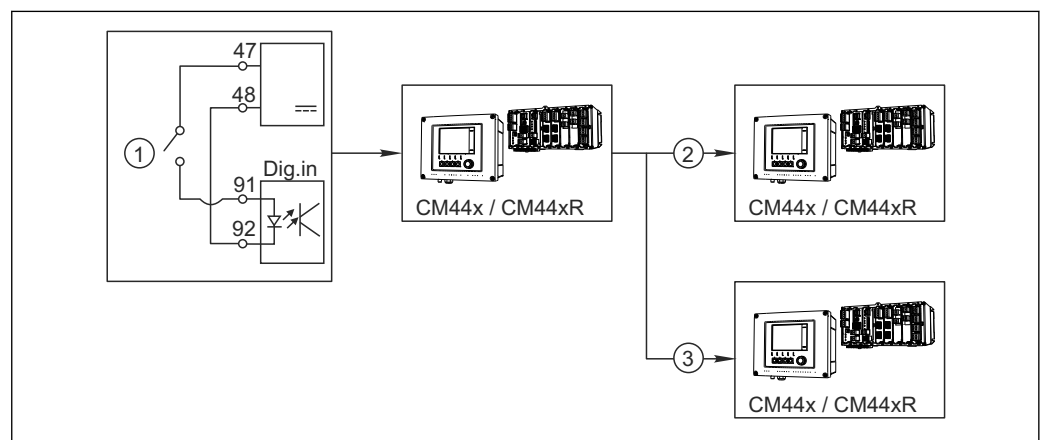
2) An activation code, Order No. 71211288, is necessary for the "feedforward control" function.

7. **Disturbance variable:** in the controller menu, select the binary input to which you have connected the flow measured value. (**Menu/Additional functions/Controllers/Controller 1/Disturbance variable/Source of data = Binary input 6:2 and Measured value = PFM value**)
8. You can activate a dosing pump through PFM via a digital output of the DIO module. Connect the pump to an output of the DIO module (e.g. slot 6, port 1) and select the following settings in the menu: **Menu/Outputs/Binary output 6:1/Signal type = PFM and Source of data = Controller 1.**

Take the direction of action of your dosing into account. Select the correct parameter (**Actuator type = Unipolar+ or Unipolar-**).

You must make additional settings in the controller menu to fully customize the control to suit your process conditions.

CM44x as the cleaning master



A0028320

53 Example of a central cleaning control

- 1 External cleaning trigger at the binary input
- 2 Transferring the external hold over binary output to other measuring devices without connected cleaning functions
- 3 Transferring the cleaning trigger over a binary output to other self-cleaning measuring points

1. An external trigger actuates a cleaning operation at the master. A cleaning unit is connected via a relay or a binary output, for example.
2. The cleaning trigger is transferred to another device via a binary output. This does not have its own connected cleaning unit, but its sensors are installed in the medium affected by cleaning the master and are set to hold by the trigger.
3. The trigger is transferred via an additional binary output to another device, whose connected sensors have their own cleaning units. The signal can be used to simultaneously activate a self-cleaning with the master.

10.5.2 Binary input configuration

| Menu/Setup/Inputs/Binary input x:y ¹⁾ | | |
|--|--|---|
| Function | Options | Info |
| Binary input | Selection <ul style="list-style-type: none"> ■ Off ■ On Factory setting On | Switches the input on/off |
| Signal type | Selection <ul style="list-style-type: none"> ■ Static signal ■ PFM Factory setting Static signal | ► Select the signal type. Static signal Use this setting to read out the position of, for example, an on/off switch, an inductive proximity switch or a PLC binary output. Signal application: for measuring range switching, acceptance of an external hold, as a cleaning trigger or for controller activation PFM The PFM setting produces a pulse-frequency-modulated signal that is subsequently available on the device as a quasi-continuous process value. Example: Measuring signal of a flowmeter |
| Signal type = Static signal | | |
| Signal level | Selection <ul style="list-style-type: none"> ■ Low ■ High Factory setting High | Specifies which input signal levels should activate, for example, measuring range switching or a cleaning. Low Input signals between 0 and 5 V DC High Input signals between 11 and 30 V DC |
| Signal type = PFM | | |
| Max. frequency | 100.00 to 1000.00 Hz Factory setting 1000.00 Hz | Maximum frequency of the PFM input signal Is to equal the maximum possible upper limit of the measuring range. If the value selected is too small, higher frequencies will not be detected. If the value is too large, on the other hand, the resolution for small frequencies will be relatively inexact. |
| Meas. value format | Selection <ul style="list-style-type: none"> ■ # ■ #.# ■ #.## ■ #.### Factory setting #.# | ► Specify the number of decimal places. |

| Menu/Setup/Inputs/Binary input x:y ¹⁾ | | |
|---|--|--|
| Function | Options | Info |
| Input variable | Selection <ul style="list-style-type: none"> ▪ Frequency ▪ Parameter ▪ Flow rate Factory setting Frequency | Frequency Display in Hz in the measuring menu Parameter You subsequently determine the parameter name and unit. These are then displayed in the measuring menu. Flow rate For connecting a flowmeter |
| Parameter name Input variable = Parameter | Customized text, 16 characters | ► Define a name for the parameter, e.g. "Pressure". |
| Unit of measure Input variable = Parameter | Customized text, 16 characters | ► Specify the unit for your parameter, e.g. "hPa". |
| Flow rate unit Input variable = Flow rate | Selection <ul style="list-style-type: none"> ▪ l/s ▪ l/h ▪ m³/s ▪ m³/h ▪ cfs ▪ cfd ▪ mgd Factory setting l/s | ► Define the unit for the flow. cfs = cubic feet per second cfd = cubic feet per day mgd = mega gallon per day |
| Lower range value Input variable = Parameter or Flow rate | -2000.00 to 0.00 Factory setting 0.00 | The start of measuring range corresponds to a frequency of 0 Hz. Your previously defined unit is additionally displayed. |
| Upper range value Input variable = Parameter or Flow rate | 0.00 to 10000.00 Factory setting 0.00 | The end of measuring range corresponds to the maximum frequency defined above. Your previously defined unit is additionally displayed. |
| Damping | 0 to 60 s Factory setting 0 s | The damping causes a floating average curve of the measured values over the time specified. |

1) x:y = slot no. : input number

10.5.3 Configuration of binary outputs

| Menu/Setup/Outputs/Binary output x:y ¹⁾ | | |
|--|---|---|
| Function | Options | Info |
| Binary output | Selection <ul style="list-style-type: none"> ▪ Off ▪ On Factory setting On | Switches the output on/off |
| Signal type | Selection <ul style="list-style-type: none"> ▪ Static signal ▪ PFM Factory setting Static signal | ► Select the signal type. Static signal Comparable to a relay: output of a diagnostic status or a limit switch PFM You can output a measured value, e.g. the chlorine value or the manipulated variable of a controller. It functions as a "wear-free" switching contact that can be used to control a dosing pump, for example. |

| Menu/Setup/Outputs/Binary output x:y ¹⁾ | | |
|---|--|--|
| Function | Options | Info |
| Signal type = Static signal | | |
| Function | Selection <ul style="list-style-type: none"> ▪ None ▪ Limit switches ▪ Diagnostics message ▪ Cleaning Factory setting None | Source for the outputted switching state The following functions depend on the option selected. Function = None switches off the function. There are no other settings. |
| Assignments Function = Cleaning | Multiple selection <ul style="list-style-type: none"> ▪ Cleaning 1 - Water ... ▪ Cleaning 4 - Cleaner | Here you can decide which binary outputs should be used for activating the valves and pumps. Here you specifically assign a control signal to the binary output for the cleaner/water dosing of a cleaning program. You can define cleaning programs under: Menu/Setup/Additional functions/Cleaning . |
| Data sources Function = Limit switches | Multiple selection Limit switch 1 ... 8 | <ul style="list-style-type: none"> ▶ Select the limit switches that should be output via the binary output. Configuration of the limit switches: Menu/Setup/Additional functions/Limit switches . |
| Operating mode Function = Diagnostics message | Selection <ul style="list-style-type: none"> ▪ as assigned ▪ NAMUR M ▪ NAMUR S ▪ NAMUR C ▪ NAMUR F Factory setting as assigned | as assigned With this selection, the diagnosis messages are transmitted over the binary output that you individually allocated to it. NAMUR M ... F When you choose one of the Namur classes, all messages allocated to that particular class are output. You can change the Namur class assignment for each diagnostic message. |
| Signal type = PFM | | |
| Max. frequency | 1.00 to 1000.00 Hz Factory setting 1000.00 Hz | Maximum frequency of the PFM output signal Is to equal the maximum possible upper limit of the measuring range. |
| Meas. value format | Selection <ul style="list-style-type: none"> ▪ # ▪ #.# ▪ #.## ▪ #.### Factory setting #.## | <ul style="list-style-type: none"> ▶ Specify the number of decimal places. |

| Menu/Setup/Outputs/Binary output x:y ¹⁾ | | |
|---|--|--|
| Function | Options | Info |
| Source of data | Selection <ul style="list-style-type: none"> ▪ None ▪ Sensor inputs ▪ Binary inputs ▪ Controller ▪ Fieldbus signals ▪ Mathematical functions Factory setting None | Source whose value should be read out as a frequency via the binary output. |
| Measuring value Source of data ≠ Controller | Selection Depends on: Source of data | ► Choose the measured value which should be output as the frequency via the binary output. |
| Actuator type Source of data = Controller | Selection <ul style="list-style-type: none"> ▪ None ▪ Bipolar ▪ Unipolar+ ▪ Unipolar- Factory setting None | ► Determines which part of the controller should control the connected actuators, e.g. the dosing pump. Bipolar "Split range" Unipolar+ Part of the manipulated variable that the controller uses to increase the process value Unipolar- For connected actuators that decrease the controlled variable |
| Hold behavior | Selection <ul style="list-style-type: none"> ▪ Freeze ▪ Fixed value ▪ None Factory setting None | Freeze The device freezes the last value. Fixed value You define a fixed current value that is transmitted at the output. None A hold does not affect this output. |
| Hold value Hold behavior = Fixed value | 0 ... 100 % Factory setting 0 % | |
| Error behavior | Selection <ul style="list-style-type: none"> ▪ Freeze ▪ Fixed value Factory setting Fixed value | Freeze The device freezes the last value. Fixed value You define a fixed current value that is transmitted at the output. |
| Error value Error behavior = Fixed value | 0 ... 100 % Factory setting 0 % | |

1) x:y = slot no. : input number

10.6 Additional functions

10.6.1 Limit switch

There are different ways to configure a limit switch:


- Assigning a switch-on and switch-off point
- Assigning a switch-on and switch-off delay for a relay
- Setting an alarm threshold and also outputting an error message
- Starting a cleaning function




| Menu/Setup/Additional functions/Limit switches/Limit switch 1 ... 8 | | |
|---|---|---|
| Function | Options | Info |
| Source of data | Selection <ul style="list-style-type: none"> ▪ None ▪ Sensor inputs ▪ Binary inputs ▪ Controller ▪ Fieldbus signals ▪ Mathematical functions ▪ MRS set 1 ... 2 Factory setting None | <ul style="list-style-type: none"> ▶ Specify the input or output which is to be the data source for the limit switch. The sources of data on offer depend on your device version. You can choose from connected sensors, binary inputs, fieldbus signals, mathematical functions, controllers and sets for measuring range switching. |
| Measuring value | Selection Depends on: Source of data | <ul style="list-style-type: none"> ▶ Select the measured value, see the following table. |

Measured value depending on the Source of data

| Source of data | Measured value |
|----------------|--|
| pH Glass | Selection <ul style="list-style-type: none"> ▪ Raw value mV ▪ pH ▪ Temperature |
| pH ISFET | |
| ORP | Selection <ul style="list-style-type: none"> ▪ Temperature ▪ ORP mV ▪ ORP % |
| Oxygen (amp.) | Selection <ul style="list-style-type: none"> ▪ Temperature ▪ Partial pressure ▪ Concentration liquid ▪ Saturation ▪ Raw value nA (only Oxygen (amp.)) ▪ Raw value µs (only Oxygen (opt.)) |
| Oxygen (opt.) | |
| Cond i | Selection <ul style="list-style-type: none"> ▪ Temperature ▪ Conductivity ▪ Resistance (only Cond c) ▪ Concentration (only Cond i and Cond c 4-pol) |
| Cond c | |
| Cond c 4-pol | |
| Disinfection | Selection <ul style="list-style-type: none"> ▪ Temperature ▪ Sensor current ▪ Concentration |
| ISE | Selection <ul style="list-style-type: none"> ▪ Temperature ▪ pH ▪ Ammonium ▪ Nitrate ▪ Potassium ▪ Chloride |

| Source of data | Measured value |
|------------------------|--|
| TU/TS | Selection <ul style="list-style-type: none"> ■ Temperature ■ Turbidity g/l <i>(only TU/TS)</i> ■ Turbidity FNU <i>(only TU/TS)</i> ■ Turbidity Formazine <i>(only TU)</i> ■ Turbidity solid <i>(only TU)</i> |
| TU | |
| Nitrate | Selection <ul style="list-style-type: none"> ■ Temperature ■ NO3 ■ NO3-N |
| Ultrasonic interface | Selection Interface |
| SAC | Selection <ul style="list-style-type: none"> ■ Temperature ■ SAC ■ Transm. ■ Absorption ■ COD ■ BOD |
| Controller 1 | Selection <ul style="list-style-type: none"> ■ Bipolar <i>(only for current outputs)</i> ■ Unipolar+ ■ Unipolar- |
| Controller 2 | |
| Mathematical functions | All the mathematical functions can also be used as a data source and the calculated value can be used as the measured value. |

 You can monitor the manipulated variable by assigning the controller manipulated variable to a limit switch (e. g. configure a dosing time alarm).

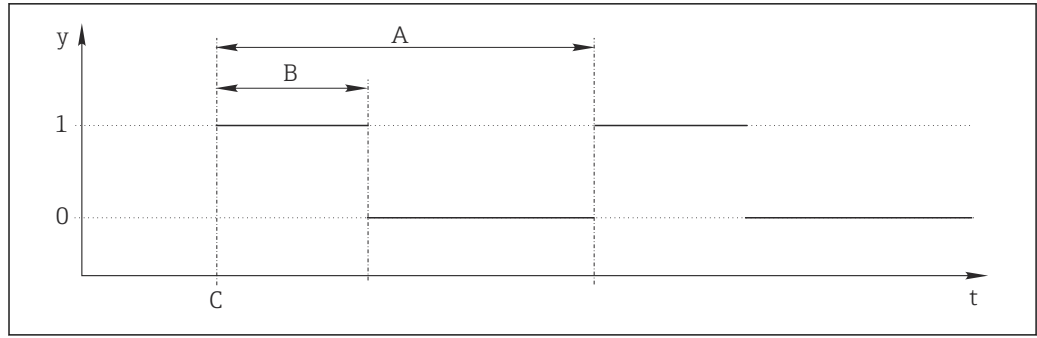
| Menu/Setup/Additional functions/Limit switches/Limit switch 1 ... 8 | | |
|---|--|--|
| Function | Options | Info |
| Cleaning program | Selection <ul style="list-style-type: none"> ■ None ■ Cleaning 1 ... 4 Factory setting None | Use this function to choose which cleaning instance should start when the limit switch is active. |
| Function | Selection <ul style="list-style-type: none"> ■ Off ■ On Factory setting Off | Activating/deactivating the limit switch |
| Operating mode | Selection <ul style="list-style-type: none"> ■ Above limit check ■ Below limit check ■ In range check ■ Out of range check ■ Change rate Factory setting Above limit check | Type of limit value monitoring: <ul style="list-style-type: none"> ■ Limit value overshoot or undershoot →  54 ■ Measured value within or outside a range →  55 ■ Rate of change →  57 |

| Menu/Setup/Additional functions/Limit switches/Limit switch 1 ... 8 | | |
|--|---------------------------------------|--|
| Function | Options | Info |
| Limit value | Settings depend on the measured value | Operating mode = Above limit check or Below limit check |
| <div style="display: flex; justify-content: space-around;"> <div style="text-align: center;"> <p>(A)</p> </div> <div style="text-align: center;"> <p>(B)</p> </div> </div> <p style="text-align: right; font-size: small;">A0028523</p> <p>☑ 54 Exceeding (A) and undershooting (B) a limit value (without hysteresis and switch-on delay)</p> <p>1 Limit value 2 Alarm range $t_{1,3,5}$ No action $t_{2,4}$ An event is generated</p> <ul style="list-style-type: none"> ■ If measured values (MV) are increasing, the relay contact is closed when the switch-on point is exceeded (Limit value + Hysteresis) and the start delay (Start delay) has elapsed. ■ If measured values are decreasing, the relay contact is reset when the switch-off point is undershot (Limit value - Hysteresis) and after the drop-out delay (Switch off delay). | | |
| Range lower value | Settings depend on the measured value | Operating mode = Out of range check or In range check |
| Range upper value | | |
| <div style="display: flex; justify-content: space-around;"> <div style="text-align: center;"> <p>(A)</p> </div> <div style="text-align: center;"> <p>(B)</p> </div> </div> <p style="text-align: right; font-size: small;">A0028524</p> <p>☑ 55 Range monitoring outside (A) and within (B) a range (without hysteresis and switch-on delay)</p> <p>1 End of range 2 Start of range 3 Alarm range t_{1-4} An event is generated</p> <ul style="list-style-type: none"> ■ If measured values (MV) are increasing, the relay contact is closed when the switch-on point is exceeded (Range lower value + Hysteresis) and the start delay (Start delay) has elapsed. ■ If measured values are decreasing, the relay contact is reset when the switch-off point is undershot (Range upper value - Hysteresis) and after the drop-out delay (Switch off delay). | | |

| Menu/Setup/Additional functions/Limit switches/Limit switch 1 ... 8 | | |
|--|---|---|
| Function | Options | Info |
| <p>Hysteresis</p> <p>56 <i>Hysteresis taking the example of limit value overshoot</i></p> <p>1 Limit value 2 Alarm range 3 Hysteresis range $t_{1,2}$ An event is generated</p> | <p>Settings depend on the measured value</p> | <p>Operating mode \neq Change rate</p> <p>The hysteresis is needed to ensure a stable switching behavior. The device software adds or subtracts the value set here to/from the limit value (Limit value, Range lower value or Range upper value). This results in double the Hysteresis value for the hysteresis range around the limit value. An event is then only generated if the measured value (MV) completely passes through the hysteresis range.</p> |
| <p>Start delay</p> <p>Operating mode \neq Change rate</p> | <p>0 to 9999 s</p> <p>Factory setting 0 s</p> | <p>Synonyms: pick-up and drop-out delay</p> |
| <p>Switch off delay</p> <p>Operating mode \neq Change rate</p> | | |
| <p>Delta value</p> | <p>Settings depend on the measured value</p> | <p>Operating mode = Change rate</p> <p>The slope of the measured value (MV) is monitored in this mode. If, in the specified time frame (Delta time), the measured value increases or decreases by more than the specified value (Delta value), an event is generated. No further event is generated if the value continues to experience such a steep increase or decrease. If the slope is back below the limit value, the alarm status is reset after a preset time (Auto confirm).</p> <p>Events are triggered by the following conditions in the example given: $t_2 - t_1 < \text{Delta time}$ and $\Delta MV_1 > \text{Delta value}$ $t_4 - t_3 > \text{Auto confirm}$ and $\Delta MV_2 < \text{Delta value}$ $t_6 - t_5 < \text{Delta time}$ and $\Delta MV_3 > \text{Delta value}$</p> |
| <p>Delta time</p> | <p>00:00:01 ... 23:59:00</p> <p>Factory setting 01:00:00</p> | |
| <p>Auto confirm</p> | <p>00:01 to 23:59</p> <p>Factory setting 00:01</p> | |
| <p>57 <i>Rate of change</i></p> | | |

10.6.2 Time switch

A time switch provides a time-controlled, binary process value. This can be used as a source by the "Formula" mathematical function.



A0041544

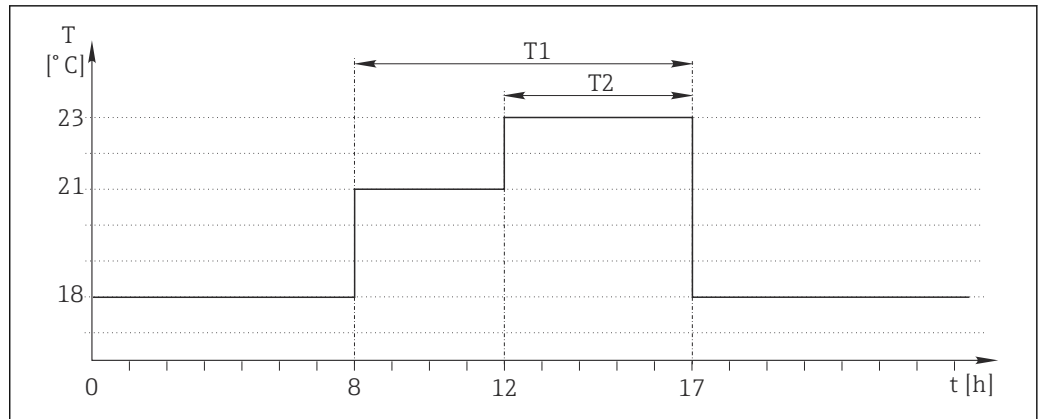
58 Signal pattern of a time switch

- t Timeline
- y Signal level (1 = on, 0 = off)
- A Period
- B Signal duration
- C Start time (Start date, Start time)

| Menu/Setup/Additional functions/Time switches/ Time switch 1 ... 8 | | |
|--|--|---|
| Function | Options | Info |
| Function | Selection <ul style="list-style-type: none"> ■ On ■ Off Factory setting Off | Switches the function on or off |
| Start date | 01.01.2000 to 31.12.2099 Format DD.MM.YYYY | ► Enter start date |
| Start time | 00:00:00 to 23:59:59 Format hh.mm.ss | ► Enter start time |
| Signal duration | 00:00:03 to 2400:00:00 Format hh.mm.ss | Duration of the high signal level at the start of a cycle |
| Period | 00:00:03 to 2400:00:00 Format hh.mm.ss | Duration of a cycle |
| Signal | Display only | Current process value of the time switch |
| Next signal date | Display only | Date of the next signal |
| Next signal time | Display only | Time of the next signal |

Example 1: Time-based set point for a temperature controller

The temperature should increase to 21 °C from 08:00 every day, and then to 23 °C for 5 hours from 12:00. The temperature should be controlled to fall back down to 18 °C from 17.00. Two time switches are defined for this purpose which are used in a **MF1: Formula** mathematical function. Using the mathematical function, an analog temperature set point is thus available for a controller.



A0041704

59 Time-based temperature control

1. Program **Time switch 1** (T1):

- **Start date** = 01.01.2020
- **Start time** = 08:00:00
- **Signal duration** = 09:00:00
- **Period** = 24:00:00

2. Define **Time switch 2** (T2):

- **Start date** = 01.01.2020
- **Start time** = 12:00:00
- **Signal duration** = 05:00:00
- **Period** = 24:00:00

3. Create **Formula** mathematical function.

Menu/Setup/Additional functions/Mathematical functions

- MF1: Formula
- **Tracking = On**
- **Source A = Time switch 1**
- **Source B = Time switch 2**
- **Formula** = $18.0 + 3 * \text{NUM}(A) + 2 * \text{NUM}(B)$

Explanation: NUM converts the logical value to a numerical value and thus enables multiplication.

- $3 * \text{NUM}(A)$ results in the value 3.0 from 08:00 to 17:00 and 0.0 outside of this time period.
- $2 * \text{NUM}(B)$ results in the value 2.0 from 12:00 to 17:00 and 0.0 outside of this time period.

The formula thus yields one of these analog values depending on the time: 18.0, 21.0 or 23.0. This analog value can be used as a set point for a temperature controller.

Example 2: Time-based condition

A pump should switch on (via a relay) for 10 minutes every 2 hours. This only applies if the pH value is lower than 4.0.

1. Program **Time switch 1**:

- **Start date** = 01.01.2020
- **Start time** = 00:00:00
- **Signal duration** = 00:10:00
- **Period** = 02:00:00

2. Create **Formula** mathematical function.

Menu/Setup/Additional functions/Mathematical functions

- MF1: Formula
- Tracking = On
- Source A = Time switch 1
- Source B = pH value of a Memosens pH input
- Formula = A AND(B<4.0)

3. Use the formula as the data source of a relay.

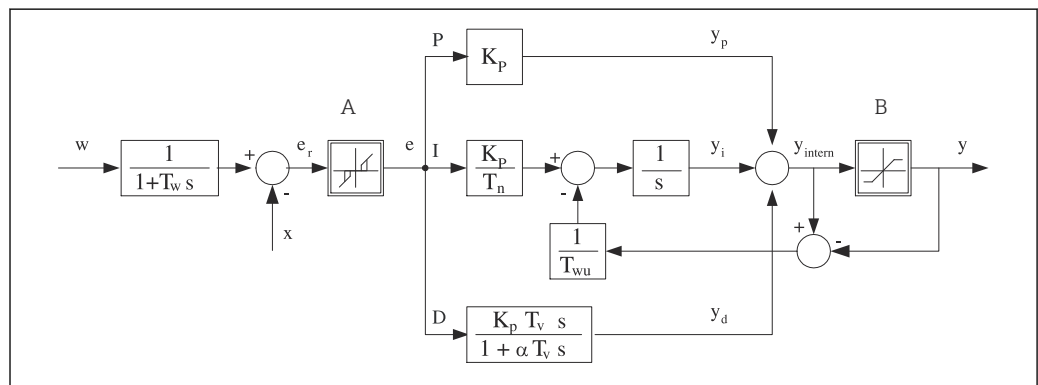
Menu/Setup/Outputs/Relay[x:y]

- Function = Formula
- Operating mode = Static signal
- Source of data = MF1: Formula

The formula yields a logical value (TRUE or FALSE) and is thus suitable to trigger a relay directly in the static operating mode. **Time switch 1** provides a TRUE value for 10 minutes every 2 hours but only if the pH value has dropped to below 4 at the same time.

10.6.3 Controller

Controller structure in Laplace representation




60 Block diagram of the controller structure

- | | | | |
|-----------------|--|-----------------|---------------------------------------|
| A | Neutral zone | I | Integral value |
| B | Output limiting | D | Derivative value |
| K _p | Gain (P-value) | aT _v | Damping time constant with α = 0 to 1 |
| T _n | Integral action time (I-value) | e | Control deviation |
| T _v | Derivative action time (D-value) | w | Set point |
| T _w | Time constant for set point damping | x | Controlled variable |
| T _{wu} | Time constant for anti-windup feedback | y | Manipulated variable |
| P | Proportional value | | |

The controller structure of the device comprises set point damping at the input to prevent erratic changes in the manipulated variable if the set point changes. The difference between the set point w and the controlled variable (measured value) X results in the control deviation which is filtered by a neutral zone.

The neutral zone is used to suppress control deviations (e) that are too small. The control deviation thus filtered is now fed to the actual PID controller which divides into 3 parts based on the P (proportional), I (integral) and D (derivative) values (top-down). The integral section (middle) also comprises an anti-windup mechanism for limiting the integrator. A low-pass filter is added to the D-section to damp hard D-terms in the manipulated variable. The sum of the 3 sections results in the internal controller manipulated variable which is limited according to the settings (for PID-2s to -100% to +100%).

The graphic does not illustrate a downstream filter for limiting the rate of change of the manipulated variable (can be configured in the menu in **Max y change rate**).


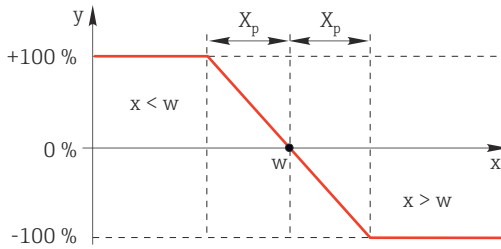

 In the menu do not configure the gain K_p . Instead configure the reciprocal value, the proportional band X_p ($K_p=1/X_p$).

Parameter configuration

Make the following decisions to configure a controller:

- (1) What type of process can your process be assigned to? → **Process type**
- (2) Should it be possible to influence the measured variable (controlled variable) in one direction or in both directions? One-sided or two-sided controller, → **Controller type**
- (3) What should be the controlled variable (sensor, measured value)? → **Controlled variable**
- (4) Do you have a disturbance variable that should be active at the controller output? → **Disturbance variable**
- (5) Specify the parameters for the controller:
 - Set point, → **Setpoint**
 - Neutral zone, → **Xn**
 - Proportional band, → **Xp**
 - Integral action time (I-value), → **Tn**
 - Derivative action time (D-value), → **Tv**
- (6) What should the controller do in the event of a hold (measured error, sensor replacement, cleaning etc.)?
 - Pause or continue with dosing? → **Hold behavior/Manipulated Variable**
 - At the end of a hold, continue or restart the control loop (affects I-value)? → **Hold behavior/State**
- (7) How should the actuator be triggered?
 - **Unipolar+**: assign this setting to the output for an actuator which can increase the measured value.
 - **Unipolar-**: assign this setting to the output for an actuator which can decrease the measured value.
 - **Bipolar**: select this setting if you want to output the manipulated variable via one current output only (split range).
- (8) Configure the outputs and switch on the controller.

| Menu/Setup/Additional functions/Controller 1 ... 2 | | |
|--|--|---|
| Function | Options | Info |
| Control | Selection <ul style="list-style-type: none"> ▪ Off ▪ Automatic ▪ Manual mode Factory setting Off | ► First configure the controller and leave the switch at the factory setting (Off). Once you have made all the settings, you can assign the controller to an output and switch it on. |
| ► Manual mode | | |
| y | -100 to 100 % Factory setting 0 % | ► Specify the manipulated variable that should be output in manual mode. |
| y actual output | Read only | Manipulated variable actually output. |
| Setpoint | | Current set point |
| x | | Current measured value |
| Disturbance variable | | Current measured value of disturbance variable |
| Norm. disturb. value | | |
| Name | Free text | ► Give the controller a name so you can identify it later on. |

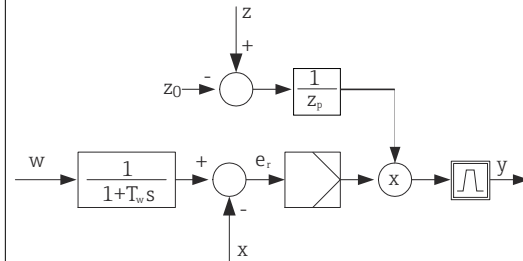
| Menu/Setup/Additional functions/Controller 1 ... 2 | | |
|--|---|--|
| Function | Options | Info |
| Controller enable | Selection <ul style="list-style-type: none"> None Binary inputs Limit switches Fieldbus variables Factory setting None | In connection with the DIO module, you can select a binary input signal, e. g. from an inductive proximity switch, as a source for enabling the controller. |
| Setup Level | Selection <ul style="list-style-type: none"> Standard Advanced Factory setting Standard | Changes the number of parameters that can be configured. → Parameters → 95 Standard: If you choose this, the other controller parameters are active nevertheless. The factory settings are used. These suffice in most cases. |
| Process type | Selection <ul style="list-style-type: none"> Inline Batch Factory setting Inline | <ul style="list-style-type: none"> Decide what type of process best describes your particular process. |
| <p>Batch process The medium is in a closed system. The task of the control system is to dose in such a way that the measured value (controlled variable) changes from its start value to its target value. No more dosing is needed once the set point has been reached and the system is stable. If the target value is overshoot, a two-sided control system can compensate for this. In the case of 2-sided batch control systems, a neutral zone is used/configured to suppress oscillations around the set point.</p> <p>In-line process In an in-line process, the control system works with the medium flowing by in the process. Here, the controller has the task of using the manipulated variable to set a mixture ratio between the medium and dosing agent such that the resulting measured variable corresponds to the set point. The properties and volume of the medium flow can change at any time and the controller has to react to these changes on a continuous basis. If the flow rate and medium remain constant, the manipulated variable can also assume a fixed value once the process has settled. Since the control process is never "finished" here, this type of control is also referred to as continuous control.</p> <p> A mixture of both process types can often be found in practice: the semi-batch process. Depending on the ratio between the flow and the container volume, this arrangement behaves either like a batch process or an in-line process.</p> | | |
| Controller type | Selection <ul style="list-style-type: none"> PID 1-sided PID 2-sided Factory setting PID 2-sided | Depending on which actuator you have connected, you influence the process in only one direction (e.g. heating) or in both directions (e. g. heating and cooling). |
| <p>A 2-sided controller can output a manipulated variable in the range from -100 % to +100 %, i. e. the manipulated variable is bipolar. The manipulated variable is positive if the controller should increase the process value. In the case of a pure P-controller, this means that the value of the controlled variable x is smaller than the set point w. On the other hand, the manipulated variable is negative if the process value should be decreased. The value for x is greater than the set point w.</p>  <p> 61 Relationship $y = (w-x)/X_p$</p> | | |

| Menu/Setup/Additional functions/Controller 1 ... 2 | | |
|--|---|--|
| Function | Options | Info |
| <p>Effective direction</p> <p>Controller type = PID 1-sided</p> | <p>Selection</p> <ul style="list-style-type: none"> ▪ Direct ▪ Reverse <p>Factory setting Reverse</p> | <p>In what direction should the controller influence the measured value?</p> <ul style="list-style-type: none"> ▪ The measured value should increase as a result of dosing (e. g. heating) → Reverse ▪ The measured value should decrease as a result of dosing (e. g. cooling) → Direct |
| <p>A 1-sided controller has a unipolar manipulated variable, i. e. it can only influence the process in one direction.</p> <p>Reverse: If the controller should increase the process value, set this as the direction of action. The controller becomes active when the process value is too small (range A).</p> <p>Direct: With this direction of action, the controller acts as a "downwards controller". It becomes active when the process value (e. g. the temperature) is too high (range B).</p> | | |
| | | |
| <p> 62 Red: overlap between the curves of the two 1-sided controllers.</p> | | |
| ▶ Controlled variable | | |
| Source of data | <p>Selection</p> <ul style="list-style-type: none"> ▪ None ▪ Sensor inputs ▪ Current inputs ▪ Fieldbus signals ▪ Binary inputs ▪ Mathematical functions <p>Factory setting None</p> | ▶ Specify the input or output which should be the source of data for the controlled variable. |
| Measured value | <p>Selection Depends on Source of data</p> <p>Factory setting None</p> | ▶ Specify the measured value that should be your controlled variable. You can use different measured values depending on the data source. → 83 |
| ▶ Setpoint | | Target value of the controlled variable This menu is not displayed if you selected a fieldbus as the source (Source of data = fieldbus). |
| Setpoint | Range of adjustment and factory setting depending on the Source of data | ▶ Specify the target value for the controlled variable. |
| Tw Setup Level = Advanced | 0.0 to 999.9 s Factory setting 2.0 s | Time constant for the set point damping filter |
| ▶ Disturbance variable | | optional, activation code necessary |

Menu/Setup/Additional functions/Controller 1 ... 2

| Function | Options | Info |
|----------|---------|------|
|----------|---------|------|

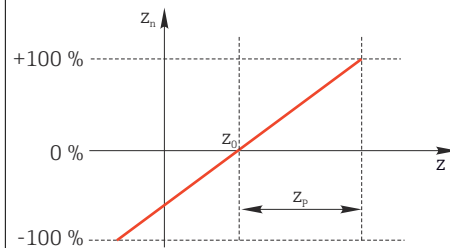
In the case of "flowing medium" (in-line) controls, the flow rate may not be constant. In some circumstances, strong fluctuations are possible. In the case of a settled control system in which the flow rate is suddenly halved, it is desirable that the dosed quantity from the controller is also directly halved. In order to achieve this type of "flow-rate-proportional" dosing, this task is not left to the I-component of the controller, but rather one enters the (to be measured) flow rate as disturbance variable z multiplicative at the controller output.



Strictly speaking, feedforward control involves an open-loop control system, since its effect is not measured directly. That means that the feed flow is directed exclusively forward. Hence the designation "feedforward control".

For the additive feedforward control that is alternatively available in the device, the (standardized) disturbance variable is added to the controller manipulated variable. This enables you to set up a type of variable base load dosing.

The standardization of the disturbance variable is required both for multiplicative and for additive feedforward control and is done using parameters Z_0 (zero point) and Z_p (proportional band): $z_n = (z - z_0)/Z_p$



Example

Flowmeter with measuring range 0 to 200 m³/h

The controller would currently dose 100% without feedforward control.

The feedforward control should be configured such that at $z = 200\text{m}^3/\text{h}$, the controller still doses at 100% ($z_n = 1$).

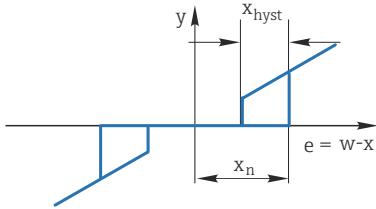
If the flow rate drops, the dosing rate should be reduced, and at a flow rate of less than 4 m³/h, dosing should stop entirely ($z_n = 0$).

→ Select the zero point $z_0 = 4\text{ m}^3/\text{h}$ and the proportional band $Z_p = 196\text{ m}^3/\text{h}$.

| | | |
|----------------|--|--|
| Function | Selection <ul style="list-style-type: none"> ▪ Off ▪ Multiply ▪ Add Factory setting Off | Selecting multiplicative or additive feedforward control |
| Source of data | Selection <ul style="list-style-type: none"> ▪ None ▪ Sensor inputs ▪ Current inputs ▪ Fieldbus signals ▪ Binary inputs ▪ Mathematical functions Factory setting None | <ul style="list-style-type: none"> ▶ Specify the input which should be the source of data for the disturbance variable. |

| Menu/Setup/Additional functions/Controller 1 ... 2 | | |
|--|--|--|
| Function | Options | Info |
| Measured value | Selection Depends on Source of data Factory setting None | ► Specify the measured value that should be your disturbance variable. You can use different measured values depending on the data source. → 83 |
| Zp | Range of adjustment depending on the selection of the measured value | Proportional band --> |
| Z0 | | Zero point |
| ► Parameters The Liquiline PID controller has been implemented in the serial structural form, i. e. it has the following parameters: <ul style="list-style-type: none"> ▪ Integral action time T_n ▪ Derivative action time T_v ▪ Proportional band X_p Setup Level = Advanced: With this setup level, you can also configure the following: <ul style="list-style-type: none"> ▪ Time constant T_{wu} ▪ Time constant α ▪ Width of the neutral zone X_n ▪ Width of the hysteresis range of the neutral zone X_{hyst} ▪ Clock time of the controller | | |
| T_n | 0.0 to 9999.0 s Factory setting 0.0 s | The integral action time specifies the effect of the I-value If $T_n > 0$ the following applies: $Clock < T_{wu} < 0.5(T_n + T_v)$ |
| The integral action time is the time needed in a step-function response to achieve a change in the manipulated variable - as a result of the I effect - which has the same magnitude as the P-value. | | |
| <p>$e = \text{control deviation, } e=w-x \text{ (set point controlled variable)}$</p> | | |

| Menu/Setup/Additional functions/Controller 1 ... 2 | | |
|---|---|--|
| Function | Options | Info |
| Twu | 0.1 to 999.9 s Factory setting 20.0 s | Time constant for anti-windup feedback The lower the value the greater the integrator inhibition. Exercise extreme caution when making changes. Clock < Twu < 0.5(Tn + Tv) |
| Tv | 0.1 to 999.9 s Factory setting 0.0 s | The derivative action time specifies the effect of the D-value The derivative action time is the time by which the ramp response of a PD controller reaches a specific value of the manipulated variable at an earlier stage than it would solely as a result of its P-value. |
| | | |
| alpha | 0.0 to 1.0 Factory setting 0.3 | Affects the additional damping filter of the D-controller. The time constant is calculated from αT_v . |
| Process balance Controller type = PID 2-sided | Selection <ul style="list-style-type: none"> ▪ Symmetric ▪ Asymmetric Factory setting Symmetric | Symmetric There is only one control gain and this applies for both sides of the process. Asymmetric You can set the control gain individually for both sides of the process. |
| Xp Process balance = Symmetric | Range of adjustment and factory setting depending on the Source of data | Proportional band, reciprocal value of the proportional gain K_p As soon as controlled variable x deviates more than x_p from the set point w, manipulated variable y reaches 100%. |
| Xp Low Process balance = Asymmetric | Range of adjustment and factory setting depending on the Source of data | x_p for $y < 0$ (manipulated variable < 0) |
| Xp High Process balance = Asymmetric | | x_p for $y > 0$ (manipulated variable > 0) |
| Xn | Range of adjustment and factory setting depending on the Source of data | Tolerance range about the set point that prevents minor oscillations about the set point if using two-sided control loops. |
| XN Low Process balance = Asymmetric | Range of adjustment and factory setting depending on the Source of data | x_n for $x < w$ (controlled variable < set point) |
| XN High Process balance = Asymmetric | | x_n for $x > w$ (controlled variable > set point) |

| Menu/Setup/Additional functions/Controller 1 ... 2 | | |
|--|--|---|
| Function | Options | Info |
| XHyst | 0.0 to 99.9 % Factory setting 0.0 % | Width of the hysteresis range of the neutral zone, relative component of x_n |
|  <p>The graphic illustrates the manipulated variable (with a pure P-controller) over the control deviation e (set point minus controlled variable). Very low control deviations are set to zero. Control deviations $> x_n$ are processed "in the normal way". Via x_{hyst} it is possible to configure a hysteresis to suppress oscillations at the edges.</p> | | |
| Clock | 0.333 to 100.000 s Factory setting 1.000 s | Expert setting Only change the clock time of the controller if you know exactly what you are doing. Clock < Twu < 0.5(Tn + Tv) |
| Max y change rate | 0.00 to 1.00 Factory setting 0.40 | Limits the change of the output variable A value of 0.5 permits a maximum manipulated variable change of 50 % within one second. |
| ► Exception behavior | | Hold=measured value is no longer reliable |
| Manipulated Variable | Selection <ul style="list-style-type: none"> ■ Freeze ■ Fixed value Factory setting Freeze | How should the controller react to a measured value that is no longer reliable? Freeze The manipulated variable is frozen at the current value Fixed value Manipulated variable is set to 0 (no dosing) |
| State | Selection <ul style="list-style-type: none"> ■ Freeze ■ Reset Factory setting Freeze | Internal controller status Freeze No change Reset After a hold, the control system starts from scratch, and settling time takes place again. |
| Hold as exception | Selection <ul style="list-style-type: none"> ■ All ■ None Factory setting All | ► Select: Should the hold trigger the previously selected exception behaviour, or should it be ignored? |
| ► Outputs | | Goes to the menu Outputs → 67 |
| ► Controller assignment view | | Shows an overview of the inputs and outputs used |

10.6.4 Cleaning programs

⚠ CAUTION

Programs not switched off during maintenance activities.

Risk of injury due to medium or cleaning agent!

- Quit any programs that are active.
- Switch to the service mode.
- If testing the cleaning function while cleaning is in progress, wear protective clothing, goggles and gloves or take other suitable measures to protect yourself.

Types of cleaning

The user can choose from the following cleaning types:


- Standard clean
- Chemoclean
- Chemoclean Plus

i State of cleaning: Indicates whether the cleaning program is active or not. This is for information purposes only.

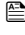
Selecting the cleaning type

1. **Menu/Setup/Additional functions/Cleaning:** Select a cleaning program.
 - ↳ You can configure 4 different types of cleaning which you can assign individually to the inputs.
2. **Cleaning type:** For each cleaning program decide which type of cleaning should be performed.


Standard cleaning

Standard cleaning involves cleaning a sensor with compressed air as performed with the ion-selective sensor CAS40D (connection of cleaning unit for →  34CAS40D) or rinsing with water, for example.

| Menu/Setup/Additional functions/Cleaning/Cleaning 1 ... 4/Standard clean | | |
|--|--|---|
| Function | Options | Info |
| Cleaning time | 5 to 600 s Factory setting 10 s | Cleaning duration The cleaning duration and interval are dependent on the process and sensor. ▶ Determine the variables empirically or based on experience. |

▶ Define the cleaning cycle →  101.

Chemoclean

One example is the use of the CYR10B injector unit for cleaning sensors, e.g. with CYA112 (CYR10B →  34 connection).

| Menu/Setup/Additional functions/Cleaning/Cleaning 1 ... 4/Chemoclean | | |
|--|---|---|
| Function | Options | Info |
| Cleaning time | 0 to 900 s Factory setting 5 s | Cleaning duration |
| Prerinse time | 0 to 900 s | The cleaning duration, pre-rinse and post-rinse times and the interval are dependent on the process and sensor. Determine the variables empirically or based on experience. |
| Postrinse time | Factory setting 0 s | |

Chemoclean Plus

One example is the use of the CYR10B injector unit in conjunction with Cleanfit Control CYC25 for automated cleaning of 12 mm sensors in pneumatic retractable assemblies (CYC25 connection, see CYC25 Operating Instructions: BA01436C).

| Menu/Setup/Additional functions/Cleaning/Cleaning 1 ... 4/Chemoclean Plus/Chemoclean Plus setup | | | |
|---|--|---|----------------|
| Function | Options | Info | |
| Cleaning steps setup | Table to create a time program | You define a maximum of 30 program steps which are to be performed one after the other. For each step, enter the duration [s] and the state (0 = "off", 1 = "on") of each relay or output. You can specify the number and name of the outputs further down in the menu. See below for an example of programming. | |
| | | Querying the switch status of the limit position switch in the limit switch column: When used with CYC25 with a retractable assembly connected, the following signal table applies: | |
| | | CPA871/CPA875 | |
| | | Service | ES1 1 ES2 1 |
| | | Measuring | ES1 0 ES2 0 |
| | | CPA472D/CPA473/CPA474 | |
| Service | ES1 1 ES2 0 | | |
| Measuring | ES1 0 ES2 1 | | |
| Failsafe step setup | Table view | <ul style="list-style-type: none"> In the table specify the states that the relays or outputs should assume in the event of an error. | |
| Limit contacts | 0 to 2 | <ul style="list-style-type: none"> Select the number of digital input signals (e.g. from limit position switches of the retractable assembly). For querying the limit position switches of a retractable assembly, select 2. | |
| Limit contact 1 ... 2 | Selection <ul style="list-style-type: none"> Binary inputs Fieldbus signals | <ul style="list-style-type: none"> Define the signal source for each limit position switch. When used with CYC25 with a retractable assembly connected: <ul style="list-style-type: none"> Limit contact 1= DI x:1 (Service) Limit contact 2= DI x:2 (Measuring) | |
| Outputs | 0 to 4 | <ul style="list-style-type: none"> Select the number of outputs that actuators, such as valves or pumps, should activate. | |
| Output label 1 ... 4 | User-defined text | You can assign a meaningful name to each output, e.g. "assembly", "cleaner 1", "cleaner 2", etc. When used with CYC25: <ul style="list-style-type: none"> Output 1 = assembly (4/2-way pilot valve) Output 2 = water (relay, e.g. CYR10B) Output 3 = cleaner (relay, e.g. CYR10B) Output 4 = optional valve (CYC25-AA relay or CYC25-AB 3/2-way pilot valve) | |

The pneumatic retractable assembly, e.g. CPA87x, is activated by compressed air via a two-way valve. As a result, the assembly assumes either the "Measuring" position (sensor in medium) or the "Service" position (sensor in rinse chamber). Media such as water or

cleaning agents are supplied via valves or pumps. Here there are two states: 0 (= "off" or "closed") and 1 (= "on" or "open").

Programming example: Regular cleaning with water and two cleaning agents

| Step | Limit switch | Duration [s] | Assembly CPA87x | Water | Cleaner 1 | Cleaner 2 |
|------|--------------|--------------|-----------------|-------|-----------|-----------|
| 1 | ES1 1 | 5 | 1 | 1 | 0 | 0 |
| 2 | ES2 1 | 5 | 1 | 1 | 0 | 0 |
| 3 | 0 | 30 | 1 | 1 | 0 | 0 |
| 4 | 0 | 5 | 1 | 1 | 1 | 0 |
| 5 | 0 | 60 | 1 | 0 | 0 | 0 |
| 6 | 0 | 30 | 1 | 1 | 0 | 0 |
| 7 | 0 | 5 | 1 | 1 | 0 | 1 |
| 8 | 0 | 60 | 1 | 0 | 0 | 0 |
| 9 | 0 | 30 | 1 | 1 | 0 | 0 |
| 10 | ES1 0 | 5 | 0 | 1 | 0 | 0 |
| 11 | ES2 0 | 5 | 0 | 1 | 0 | 0 |
| 12 | 0 | 5 | 0 | 0 | 0 | 0 |

Programming example: Regular cleaning with water, one cleaning agent and additional valve on the rinse chamber outlet of the assembly (seal water)

| Step | Limit switch | Duration [s] | Assembly CPA87x | Water | Cleaner | Valve |
|------|--------------|--------------|-----------------|-------|---------|-------|
| 1 | 0 | 5 | 0 | 1 | 0 | 0 |
| 2 | ES1 1 | 5 | 1 | 1 | 0 | 0 |
| 3 | ES2 0 | 5 | 1 | 1 | 0 | 1 |
| 4 | 0 | 30 | 1 | 1 | 0 | 1 |
| 5 | 0 | 5 | 1 | 1 | 1 | 0 |
| 6 | 0 | 60 | 1 | 0 | 0 | 1 |
| 7 | 0 | 30 | 1 | 1 | 0 | 0 |
| 8 | ES1 0 | 5 | 0 | 1 | 0 | 0 |
| 9 | ES2 1 | 5 | 0 | 1 | 0 | 0 |
| 10 | 0 | 5 | 0 | 0 | 0 | 0 |

Defining the cleaning cycle

| Menu/Setup/Additional functions/Cleaning/Cleaning 1 ... 4 | | |
|---|---|--|
| Function | Options | Info |
| Cleaning cycle | Selection <ul style="list-style-type: none"> ▪ Off ▪ Interval ▪ Weekly program Factory setting Weekly program | <ul style="list-style-type: none"> ▶ Choose from a cleaning routine that is restarted at set intervals and a user-definable weekly program. |
| Cleaning interval Cleaning cycle = Interval | 0-00:01 to 07-00:00 (D-hh:mm) Factory setting 1-00:00 | The interval value can be between 1 minute and 7 days. Example: You have set the value "1-00:00". Each day, the cleaning cycle starts at the same time you started the first cleaning cycle. |
| Daily event times Cleaning cycle = Weekly program | 00:00 to 23:59 (HH:MM) | <ol style="list-style-type: none"> 1. Define up to 6 times (Event time 1 ... 6). <ul style="list-style-type: none"> ↳ You can then choose from these for each day of the week. |
| Weekdays Cleaning cycle = Weekly program | Selection Monday ... Sunday | <ol style="list-style-type: none"> 2. Choose individually for each day of the week which of the 6 times should be used for a cleaning routine on this particular day. <p>This allows you to create weekly programs that are perfectly adapted to suit your process.</p> |

Other settings and manual cleaning

| Menu/Setup/Additional functions/Cleaning/Cleaning 1 ... 4 | | |
|---|---|--|
| Function | Options | Info |
| Start signal | Selection <ul style="list-style-type: none"> ▪ None ▪ Fieldbus signals ▪ Signals of digital or analog inputs Factory setting None | <p>In addition to cyclic cleaning, you can also use an input signal to start event-controlled cleaning.</p> <ul style="list-style-type: none"> ▶ Choose the trigger for such a cleaning process here. <p>Interval and weekly programs are executed as normal, which means that conflicts can arise. Priority is given to the cleaning program that was the first to be started.</p> |
| Hold | Selection <ul style="list-style-type: none"> ▪ Off ▪ On Factory setting On | <ul style="list-style-type: none"> ▶ Decide whether there should be a hold during the cleaning process. This hold affects the inputs to which this cleaning process is assigned. Activate the cleaning hold in the advanced setup for the sensor. |
| Start cyclic | Action | Activates the cyclical cleaning as set. Only visible if Interval is selected under Cleaning cycle . |
| ▷ Start single | Action | Starts an individual cleaning process with the selected parameters. If cyclical cleaning is enabled, there are times in which it is not possible to manually start the process. |
| ▷ Stop or Stop failsafe | Action | Ends the cleaning process (cyclical or manual) Only visible if the program is running or if Failsafe has happened. |
| ▶ Outputs | | Switch to the Outputs → 67 menu Assignment of the relay with Chemoclean Plus : <ul style="list-style-type: none"> ▪ Relay x:1 - Cleaning x - Out1 or as assigned in setup for Chemoclean Plus. ▪ Relay x:2 - Cleaning x - Out2 or as assigned in setup for Chemoclean Plus. ▪ Relay x:3 - Cleaning x - Out3 or as assigned in setup for Chemoclean Plus. ▪ Relay x:4 - Cleaning x - Out4 or as assigned in setup for Chemoclean Plus. |
| ▶ Cleaning program assignment view | | Shows an overview of the assignment of inputs and outputs in the cleaning program. |

10.6.5 Mathematical functions

In addition to "real" process values, which are provided by connected physical sensors or analog inputs, mathematical functions can be used to calculate a maximum of 8 "virtual" process values.

The "virtual" process values can be:

- Output via a current output or a fieldbus
- Used as a controlled variable
- Assigned as a measured variable to a limit switch
- Used as a measured variable to trigger cleaning
- Displayed in user-defined measuring menus

Difference

You can subtract the measured values of two sensors and use the result to detect incorrect measurements, for example.

To calculate a difference, you must use two measured values with the same engineering unit.

| Menu/Setup/Additional functions/Mathematical functions/MF1 to 8/Mode = Difference | | |
|---|--|--|
| Function | Options | Info |
| Calculation | Selection <ul style="list-style-type: none"> ▪ Off ▪ On Factory setting Off | On/off switch for the function |
| Y1 | The options depend on the sensors connected | Select the sensors and measured variables that should function as the minuend (Y1) or subtrahend (Y2). |
| Measured value | | |
| Y2 | | |
| Measured value | | |
| Difference value | Read only | View this value in a user-defined measuring screen or output the value via the current output. |
| ► Mathematical function assignment view | | Overview of the configured functions |

Redundancy

Use this function to monitor two or three sensors with redundant measurements. The arithmetic average of the two closest measured values is calculated and output as the redundancy value.

| Menu/Setup/Additional functions/Mathematical functions/MF1 to 8/Mode = Redundancy | | |
|---|--|---|
| Function | Options | Info |
| Calculation | Selection <ul style="list-style-type: none"> ▪ Off ▪ On Factory setting Off | On/off switch for the function |
| Y1 | The options depend on the sensors connected | You can select a maximum of 3 different types of sensor that output the same measured value. Example for temperature redundancy You have a pH sensor and an oxygen sensor at inputs 1 and 2. Select the pH sensor as Y1 and the oxygen sensor as Y2 . Measured value: Select Temperature in each case. |
| Measured value | | |
| Y2 | | |
| Measured value | | |
| Y3 (optional) | | |
| Measured value | | |
| Deviation control | Selection <ul style="list-style-type: none"> ▪ Off ▪ On Factory setting Off | You can monitor the redundancy. Specify an absolute limit value that must not be exceeded. |
| Deviation limit | Depends on the selected measured value | |
| Redundancy | Read only | View this value in a user-defined measuring screen or output the value via the current output. |
| ► Mathematical function assignment view | | Overview of the configured functions |

rH value

To calculate the rH value, a pH sensor and an ORP sensor must be connected. It is irrelevant whether you are using a pH glass sensor, an ISFET sensor or the pH electrode of an ISE sensor.

Instead of the mathematical functions, you can also connect a combined pH/ORP sensor.

- ▶ Set the main measured value simply to rH.

| Menu/Setup/Additional functions/Mathematical functions/MF1 to 8/Mode = rH calculation | | |
|---|--|---|
| Function | Options | Info |
| Calculation | Selection <ul style="list-style-type: none"> ▪ Off ▪ On Factory setting Off | On/off switch for the function |
| pH source | Connected pH sensor | Set the input for the pH sensor and the input for the ORP sensor. Measured value querying is obsolete – you must select pH or ORP mV. |
| ORP source | Connected ORP sensor | |
| Calculated rH | Read only | View this value in a user-defined measuring screen or output the value via the current output. |
| ▶ Mathematical function assignment view | | Overview of the configured functions |

Degassed conductivity

Carbon dioxide from the air can be a contributing factor to the conductivity of a medium. The degassed conductivity is the conductivity of the medium excluding the conductivity caused by carbon dioxide.

Advantages of using degassed conductivity taking the example of a power station:

- The conductivity caused by corrosion products or contamination in the feed water is determined as soon as the turbines are started. The system excludes the initially high conductivity values resulting from the ingress of air.
- If carbon dioxide is regarded as non-corrosive, the live steam can be directed to the turbine far earlier during startup.
- If the conductivity value increases during normal operation, it is possible to immediately determine an ingress of coolant or air by calculating the degassed conductivity.

| Menu/Setup/Additional functions/Mathematical functions/MF1 to 8/Mode = Degassed conductivity | | |
|--|--|---|
| Function | Options | Info |
| Calculation | Selection <ul style="list-style-type: none"> ▪ Off ▪ On Factory setting Off | On/off switch for the function |
| Cation conductivity | Connected conductivity sensor | Cation conductivity represents the sensor downstream from the cation exchanger and upstream from the "degassing module", Degassed conductivity represents the sensor at the outlet of the degassing module. Measured value querying is obsolete – you can only select conductivity. |
| Degassed conductivity | Connected conductivity sensor | |
| CO2 concentration | Read only | View this value in a user-defined measuring screen or output the value via the current output. |
| ▶ Mathematical function assignment view | | Overview of the configured functions |

Dual conductivity

You can subtract two conductivity values and use the result to monitor the efficiency of an ion exchanger, for example.

| Menu/Setup/Additional functions/Mathematical functions/MF1 to 8/Mode = Dual conductivity | | |
|--|---|---|
| Function | Options | Info |
| Calculation | Selection <ul style="list-style-type: none"> ▪ Off ▪ On Factory setting Off | On/off switch for the function |
| Inlet | The options depend on the sensors connected | Select the sensors that should act as the minuend (Inlet , e.g. sensor upstream of the ion exchanger) or subtrahend (Outlet , e.g. sensor downstream of the ion exchanger). |
| Measured value | | |
| Outlet | | |
| Measured value | | |
| Main value format | Selection <ul style="list-style-type: none"> ▪ Auto ▪ # ▪ #.# ▪ #.## ▪ #.### Factory setting Auto | Specify the number of decimal places. |
| Cond. unit | Selection <ul style="list-style-type: none"> ▪ Auto ▪ $\mu\text{S}/\text{cm}$ ▪ mS/cm ▪ S/cm ▪ $\mu\text{S}/\text{m}$ ▪ mS/m ▪ S/m Factory setting Auto | |
| Dual conductivity | Read only | View this value in a user-defined measuring screen or output the value via the current output. |
| ► Mathematical function assignment view | | Overview of the configured functions |

Calculated pH value

The pH value can be calculated from the measured values of two conductivity sensors under certain conditions. Areas of application include power stations, steam generators and boiler feedwater.

| Menu/Setup/Additional functions/Mathematical functions/MF1 to 8/Mode = pH calculation from conductivity | | |
|---|---|--|
| Function | Options | Info |
| Calculation | Selection <ul style="list-style-type: none"> ■ Off ■ On Factory setting Off | On/off switch for the function |
| Method | Selection <ul style="list-style-type: none"> ■ NaOH ■ NH3 ■ LiOH Factory setting NaOH | The calculation is performed on the basis of Guideline VGB-R-450L of the Technical Association of Large Power Plant Operators (Verband der Großkesselbetreiber, (VGB)). NaOH $pH = 11 + \log \{(\kappa_v - 1/3 \kappa_n)/273\}$ NH3 $pH = 11 + \log \{(\kappa_v - 1/3 \kappa_n)/243\}$ LiOH $pH = 11 + \log \{(\kappa_v - 1/3 \kappa_n)/228\}$ κ_v ... Inlet ... direct conductivity κ_n ... Outlet ... acid conductivity |
| Inlet | The options depend on the sensors connected | Inlet Sensor upstream from the cation exchanger, "direct conductivity" |
| Measured value | | |
| Outlet | | Outlet Sensor downstream from the cation exchanger, "acid conductivity" |
| Measured value | | Selection of the measured value is obsolete as it must always be Conductivity . |
| Calculated pH | Read only | View this value in a user-defined measuring screen or output the value via the current output. |
| ► Mathematical function assignment view | | Overview of the configured functions |

Cation exchanger capacity (optional, with activation code)

Cation exchangers are used to monitor the water/steam circuit for inorganic contamination. The cation exchangers eliminate the disruptive influence of alkalizing agents, such as ammonium hydroxide or caustic soda, which are added to the boiler feedwater.

The service life of cation exchangers depends on:

- The type of alkalizing agent
- The concentration of the alkalizing agent
- The amount of contamination in the medium
- The capacity of the cation exchanger (efficiency of the resin)

To ensure the smooth operation of power stations, it is important to continuously monitor the exchange column load. When a user-defined remaining capacity is reached, the transmitter displays a diagnostic message so that the ion exchange column can be replaced or regenerated in good time.

The calculation of the remaining capacity depends on the following factors:

- Flow rate
- Volume of the exchanger
- Salinity of the water at the exchanger inlet
- Total volume capacity of the resin
- Degree of efficiency of the exchanger

| Menu/Setup/Additional functions/Mathematical functions/MF1 to 8/Mode = Cation exchanger capacity | | |
|--|--|--|
| Function | Options | Info |
| Cond IEX output | Read only | |
| Cond IEX input | | |
| Flow rate | | |
| Remaining capacity | | |
| Remaining op. time | | |
| Time until %OB ¹⁾ | | |
| ► Configuration | | |
| Calculation | Selection <ul style="list-style-type: none"> ■ Off ■ On Factory setting Off | On/off switch for the function |
| Unit of volume | Selection <ul style="list-style-type: none"> ■ l ■ gal Factory setting l | |
| Exchanger volume | 0.0 to 99999 Factory setting 0.0 | Volume of the cation exchanger Unit depending on the option selected in Unit of volume |
| TVC resin | 0.0 to 99999 eq/l or eq/gal Factory setting 0.0 eq/l | TVC = total volume capacity Unit as equivalent per Unit of volume |
| Resin efficiency | 1.0 to 100.0% Factory setting 100.0% | For information on the resin efficiency, refer to the data provided by the manufacturer of the resin used. |
| Set remaining capacity | Selection <ul style="list-style-type: none"> ■ Yes ■ No Factory setting No | Before you start monitoring, specify the remaining capacity of the exchanger resin. This value makes allowances for the re-use of resin that has already been used. If no value is entered manually, 100% is used as the initial value for calculating the current remaining capacity. |
| Remaining capacity Set remaining capacity = Yes | 0.0 to 100.0% Factory setting 0.0% | |
| Warning limit | 1.0 to 100.0% Factory setting 20.0% | Specify the remaining capacity at which the transmitter should display a diagnostic message. |

| Menu/Setup/Additional functions/Mathematical functions/MF1 to 8/Mode = Cation exchanger capacity | | |
|--|---|--|
| Function | Options | Info |
| Cond IEX input | Connected conductivity sensor | Select the conductivity sensor upstream from the inlet of the exchanger column. |
| Cond IEX output | Connected conductivity sensor | Select the conductivity sensor downstream from the outlet of the exchanger column. |
| Max cond at IEX output | 0.0 to 99999 $\mu\text{S}/\text{cm}$ Factory setting 0.0 $\mu\text{S}/\text{cm}$ | Here, enter the maximum value that the acid conductivity may have at the outlet of the cation exchanger. The transmitter displays a diagnostic message if this value is exceeded. |
| Flow rate type | Selection <ul style="list-style-type: none"> ▪ Source value ▪ Fixed value Factory setting Source value | Source value You have connected the measured value of a flowmeter via a current input or a binary input. Fixed value Manual entry of a fixed flow rate |
| Flow rate | Selection <ul style="list-style-type: none"> ▪ None ▪ Current inputs ▪ Binary inputs Factory setting None | Specify the input at which you have connected and configured the measured value of a flowmeter (Menu/Setup/Inputs). |
| Fixed value Flow rate type = Fixed value | User-defined text | Specify the fixed flow value which you have read on an external flowmeter, for example. |
| Min flow rate | 0.0 to 99999 l/h | |
| Max flow rate | Factory setting 0.0 l/h | |
| ► Mathematical function assignment view | | Overview of the configured functions |

1) %OB is a variable whose value depends on the configuration. The configured value is displayed, e.g. 20%.

Combined chlorine


This function calculates the concentration of combined chlorine in the medium. This calculation involves subtracting the free chlorine concentration from the total chlorine

concentration. This requires both a sensor for free chlorine CCS51E and a sensor for total chlorine CCS53E.

| Menu/Setup/Additional functions/Mathematical functions/MF1 to 8/Mode /Combined chlorine | | |
|---|---|---------------------------------------|
| Function | Options | Info |
| Calculation | Selection <ul style="list-style-type: none"> ■ Off ■ On Factory setting Off | On/off switch for the function |
| Free chlorine | Selection Channels to which a sensor for free chlorine is connected Factory setting --- | |
| Total chlorine | Selection Channels to which a sensor for total chlorine is connected Factory setting --- | |
| Unit | Selection <ul style="list-style-type: none"> ■ mg/l ■ µg/l ■ ppm ■ ppb Factory setting mg/l | |
| Format | Selection <ul style="list-style-type: none"> ■ #.### ■ #.## ■ #.# ■ # Factory setting #.### | Specify the number of decimal places. |
| Combined chlorine | Read only | Current, calculated value |
| ▶ Mathematical function assignment view | | Overview of the configured functions |

Formula (optional, with activation code)


With the formula editor, it is possible to calculate a new value from a maximum of 3 measured values. A wide range of mathematical and logical (Boolean) operations are available for this purpose.

 The Liquiline firmware offers you a powerful mathematics tool with the formula editor. You are responsible for the feasibility of your formula, and therefore for the feasibility of the result.

| Symbol | Operation | Type of operands | Type of result | Example |
|--------|----------------|------------------|----------------|---------|
| + | Addition | Numerical | Numerical | A+2 |
| - | Subtraction | Numerical | Numerical | 100-B |
| * | Multiplication | Numerical | Numerical | A*C |
| / | Division | Numerical | Numerical | B/100 |
| ^ | Power | Numerical | Numerical | A^5 |
| ² | Square | Numerical | Numerical | A² |

| Symbol | Operation | Type of operands | Type of result | Example |
|--------------|-------------------------------------|------------------|----------------|----------------|
| ³ | Cube | Numerical | Numerical | B ³ |
| SIN | Sine | Numerical | Numerical | SIN(A) |
| COS | Cosine | Numerical | Numerical | COS(B) |
| EXP | Exponential function e ^x | Numerical | Numerical | EXP(A) |
| LN | Natural logarithm | Numerical | Numerical | LN(B) |
| LOG | Decadic logarithm | Numerical | Numerical | LOG(A) |
| MAX | Maximum of two values | Numerical | Numerical | MAX(A,B) |
| MIN | Minimum of two values | Numerical | Numerical | MIN(20,B) |
| MOD | Division with remainder | Numerical | Numerical | MOD (10,3) |
| ABS | Absolute value | Numerical | Numerical | ABS(C) |
| NUM | Boolean → numerical conversion | Boolean | Numerical | NUM(A) |
| = | Equals | Boolean | Boolean | A=B |
| <> | Not equal to | Boolean | Boolean | A<>B |
| > | Greater than | Numerical | Boolean | B>5.6 |
| < | Less than | Numerical | Boolean | A<C |
| OR | Disjunction | Boolean | Boolean | B OR C |
| AND | Conjunction | Boolean | Boolean | A AND B |
| XOR | Exclusive disjunction | Boolean | Boolean | B XOR C |
| NOT | Negation | Boolean | Boolean | NOT A |

| Menu/Setup/Additional functions/Mathematical functions/MF1 to 8/Mode = Formula | | |
|--|---|---|
| Function | Options | Info |
| Calculation | Selection <ul style="list-style-type: none"> ▪ Off ▪ On Factory setting Off | On/off switch for the function |
| Source A ... C | Selection Select source Factory setting None | You can use all the sensor inputs, binary and analog inputs, mathematical functions, limit switches, time switches, fieldbus signals, controllers and datasets for measuring range switching as the source for measured values. |
| Measured value | Selection Depends on the source | <ol style="list-style-type: none"> 1. Choose a maximum of three sources (A, B and C) for measured values. 2. For each source, choose the measured value to be calculated. <ul style="list-style-type: none"> ↳ All available signals - depending on the selected source - are possible measured values. 3. Enter the formula. 4. Switch on the calculation. <ul style="list-style-type: none"> ↳ The current measured values A, B and C as well as the result of the calculation using the formula are displayed. |
| A ... C | The current measured value is displayed | |

| Menu/Setup/Additional functions/Mathematical functions/MF1 to 8/Mode = Formula | | |
|--|--|---|
| Function | Options | Info |
| Formula | User-defined text | Table → 109  Make sure the exact notation is used (upper case). Blank spaces before and after mathematical characters are irrelevant. Note the operator precedence, i.e. multiplication and division take precedence over addition and subtraction. Use parentheses if necessary. |
| Result unit | User-defined text | You may enter a unit for the calculated value if desired. |
| Result format | Selection <ul style="list-style-type: none"> ■ # ■ #.# ■ #.## ■ #.### ■ #.#### Factory setting #.## | Select the number of decimal places. |
| Result numeric | Read only | Current, calculated value |
| ▶ Mathematical function assignment view | | Overview of the configured functions |


Example: 2-point chlorine regulator with volume flow monitoring

A relay output activates a dosing pump. The pump should switch on when the following 3 conditions are met:

- (1) There is flow
- (2) The volume flow is above a defined value
- (3) The concentration of chlorine drops below a defined value

1. Connect a binary input signal from an "INS" point level switch of the CCA250 assembly to the DIO module.
2. Connect an analog input signal of a volume flow meter to the AI module.
3. Connect the chlorine sensor.
4. Configure the **Formula** mathematical function: **Source A** = binary input DIO, **Source B** = current input AI, **Source C** = input **Disinfection**.
 ↳ Formula:
A AND (B > 3) AND (C < 0.9)
 (where 3 is the lower limit value of the volume flow and 0.9 is the lower limit value of the chlorine concentration)
5. Configure the relay output with the **Formula** mathematical function and connect the dosing pump to the corresponding relay.

The pump is switched on if all 3 conditions are met. If one of the conditions is no longer met, the pump is switched off again.

 Instead of outputting the result of the formula directly to a relay, you can also connect a limit switch in between in order to attenuate the output signal via a switch-on and switch-off delay.

Example: Load-based control

The load – i.e. the product of the concentration and volume flow – is needed for the dosage of precipitants, for instance.

1. Connect the input signal of a phosphate analyzer to the AI module.
2. Connect an analog input signal of a volume flow meter to the AI module.

3. Configure the **Formula** mathematical function: **Source A** = input signal phosphate and **Source B** = input signal volume flow.
 - ↳ Formula:
 $A * B * x$
 (where x is an application-specific proportionality factor)
4. Select this formula as the source e.g. of the current output or of a modulated binary output.
5. Connect the valve or pump.

10.6.6 Measuring range switching

A measuring range switching (MRS) configuration includes the following options for each of the four binary input states:

- Operating mode (conductivity or concentration)
- Concentration table
- Temperature compensation
- Current output turndown
- Limit switch range

An MRS set is assigned to a channel and switched on. The measuring range configuration selected via the binary inputs is now applied instead of the normal configuration of the linked sensor channel. For current outputs and limit switches to be controlled by the MRS, they must be linked to the MRS set, not to the measuring channel.

Current outputs and limit switches can be linked to an MRS set. This MRS set gives you the measured value and the associated turn down (current outputs) or the range for limit value monitoring (limit switches).

A limit switch connected to an MRS set always uses the **Out of range check** mode.

Consequently, it switches when the value is outside the configured range.

If a current output or limit switch is connected to an MRS set, the turndown, monitoring range and limit switch mode can no longer be configured manually. Therefore, these options are hidden in the menus (current outputs and limit switch).

Programming example: CIP cleaning in a brewery

| | Beer | Water | Alkali | Acid |
|-------------------|--------------------|--------------------|--------------------|--------------------|
| Binary input 1 | 0 | 0 | 1 | 1 |
| Binary input 1 | 0 | 1 | 0 | 1 |
| | Measuring range 00 | Measuring range 01 | Measuring range 10 | Measuring range 11 |
| Operating mode | Conductivity | Conductivity | Concentration | Concentration |
| Conc. table | - | - | NaOH 0..15% | User table 1 |
| Compensation | User table 1 | Linear | - | - |
| Current output | | | | |
| Range lower value | 1.00 mS/cm | 0.1 mS/cm | 0.50 % | 0.50 % |
| Range upper value | 3.00 mS/cm | 0.8 mS/cm | 5.00 % | 1.50 % |
| Limit switches | | | | |
| Range lower value | 2.3 mS/cm | 0.5 mS/cm | 2.00 % | 1.30 % |
| Range upper value | 2.5 mS/cm | 0.7 mS/cm | 2.10 % | 1.40 % |

| Menu/Setup/Additional functions/Measuring range switch | | |
|--|---|---|
| Function | Options | Info |
| ► MRS set 1 ... 2 | | If you enter both activation codes, you have two independent parameter sets available for measuring range switching. The submenus are the same for both sets. |
| MRS | Selection <ul style="list-style-type: none"> ▪ Off ▪ On Factory setting Off | Switches the function on or off |
| Sensor | Selection <ul style="list-style-type: none"> ▪ None ▪ Connected conductivity sensors Factory setting None | This function can be used on conductivity sensors only. |
| Binary input 1 ... 2 | Selection <ul style="list-style-type: none"> ▪ None ▪ Binary inputs ▪ Fieldbus signals ▪ Limit switches Factory setting None | Source of the switching signal, can be selected for input 1 and 2 in each case |
| ► Measuring range 00 ... 11 | | Select the MRSs; a maximum of 4 are possible. The submenus are identical for each and thus are displayed only once. |
| Operating mode | Selection <ul style="list-style-type: none"> ▪ Conductivity ▪ Concentration ▪ TDS ▪ Resistance Factory setting Conductivity | Selection depends on the sensor used: <ul style="list-style-type: none"> ▪ Inductive sensor and conductive four-pin sensor <ul style="list-style-type: none"> ▪ Conductivity ▪ Concentration ▪ TDS ▪ Conductive sensor <ul style="list-style-type: none"> ▪ Conductivity ▪ Resistance ▪ TDS |
| Conc. table Operating mode = Concentration | Selection <ul style="list-style-type: none"> ▪ NaOH 0..15% ▪ NaOH 25..50% ▪ HCl 0..20% ▪ HNO3 0..24% ▪ HNO3 24..30% ▪ H2SO4 0.5..27% ▪ H2SO4 93..99% ▪ H3PO4 0..40% ▪ NaCl 0..26% ▪ User table 1 ... 4 Factory setting NaOH 0..15% | Concentration tables saved at the factory: <ul style="list-style-type: none"> ▪ NaOH: 0 to 15%, 0 to 100 °C (32 to 212 °F) ▪ NaOH: 25 to 50%, 2 to 80 °C (36 to 176 °F) ▪ HCl: 0 to 20%, 0 to 65 °C (32 to 149 °F) ▪ HNO3: 0 to 25%, 2 to 80 °C (36 to 176 °F) ▪ H2SO4: 0 to 28%, 0 to 100 °C (32 to 212 °F) ▪ H2SO4: 40 to 80%, 0 to 100 °C (32 to 212 °F) ▪ H2SO4: 93 to 100%, 0 to 100 °C (32 to 212 °F) ▪ H3PO4: 0 to 40%, 2 to 80 °C (36 to 176 °F) ▪ NaCl: 0 to 26%, 2 to 80 °C (36 to 176 °F) |
| Compensation Operating mode = Conductivity | Selection <ul style="list-style-type: none"> ▪ None ▪ Linear ▪ NaCl (IEC 746-3) ▪ Water ISO7888 (20°C) ▪ Water ISO7888 (25°C) ▪ UPW NaCl ▪ UPW HCl ▪ User table 1 ... 4 Factory setting Linear | Various methods are available to compensate for the temperature dependency. Depending on your process, decide which type of compensation you want to use. Alternatively, you can also select None and thus measure uncompensated conductivity. |

| Menu/Setup/Additional functions/Measuring range switch | | |
|--|--------------------------------------|--|
| Function | Options | Info |
| ▶ Current output | | |
| Range lower unit | Depends on the Operating mode | Units are only queried for Operating mode = Conductivity . The other units are pre-defined and cannot be modified. <ul style="list-style-type: none"> ▪ Conductivity S/m, mS/cm, µS/cm, S/cm, µS/m, mS/m ▪ Concentration % ▪ TDS ppm ▪ Resistance Ωcm |
| Range lower value | | |
| Range upper unit | | |
| Range upper value | | |
| ▶ Limit switches | | |
| Range lower unit | Depends on the Operating mode | Units are only queried for Operating mode = Conductivity . The other units are pre-defined and cannot be modified. <ul style="list-style-type: none"> ▪ Conductivity S/m, mS/cm, µS/cm, S/cm, µS/m, mS/m ▪ Concentration % ▪ TDS ppm ▪ Resistance Ωcm |
| Range lower value | | |
| Range upper unit | | |
| Range upper value | | |

10.6.7 Diagnostic modules

Here you can configure a maximum of 8 individual diagnostic messages.

A diagnostic module has the following properties:

- The feed source can be configured like a binary output (relay, digital output).
- You can choose whether the diagnostic message should be output at a high level or low level.
- You decide which error category (Namur class) should be assigned to the message.
- You can define a customized text to be output as the diagnostic message text.

In addition you can switch off the factory diagnostic code for limit switches. This allows you to:

- Use the limit switch on a purely functional basis (without a message)
- Configure application-specific message texts
- Control diagnostic modules directly by a digital signal or via a limit switch output (enables the use of switch-on/switch-off delay, for example).

| Menu/Setup/Additional functions/Diagnostic modules | | |
|--|---|--|
| Function | Options | Info |
| ▶ Diagnostic module 1 (961) ... 8 (968) | | |
| Source of data | Selection <ul style="list-style-type: none"> ▪ None ▪ Fieldbus signals ▪ Binary inputs ▪ Limit switch Factory setting None | Specify the input which should be the source of data for the diagnostic message. |
| Measured value | Selection Depends on Source of data Factory setting None | Specify the measured value that should trigger the diagnostic message. You can use different measured values depending on the data source. → 83 |

| Menu/Setup/Additional functions/Diagnostic modules | | |
|--|---|---|
| Function | Options | Info |
| Active low | Selection <ul style="list-style-type: none"> ▪ Off ▪ On Factory setting On | On: The output value is equal to the inverse output value. |
| Short text | User-defined text | Give the diagnostic message a name. |
| ▶ Diagnostic module assignment view | | Shows an overview of the diagnostic modules used. |

11 Calibration

- Sensors with Memosens protocol are calibrated at the factory.
- Users must decide whether the process conditions present require calibration during initial commissioning.
- Additional calibration is not required in many standard applications.

- ▶ Calibrate sensors at sensible intervals depending on the process.



Operating Instructions "Memosens", BA01245C

12 Diagnosis and troubleshooting

12.1 General troubleshooting


The transmitter continuously monitors its functions itself.

If a diagnostic message occurs, the display alternates between the diagnostic message and the measured value in the measuring mode.


The color of the display background changes to red if a diagnostic message for error category "F" occurs.

12.1.1 Troubleshooting

A diagnostic message appears on the display or via the fieldbus, measured values are not plausible, or you identify a fault.

1. See the Diagnostics menu for details on the diagnostic message.
 - ↳ Follow the instructions to rectify the problem.
2. If this does not help, search for the diagnostic message under "Overview of diagnostic information" in these Operating Instructions. Use the message number as a search criterion. Ignore the letters indicating the NAMUR error category.
 - ↳ Follow the troubleshooting instructions provided in the last column of the error tables.
3. If the measured values are implausible, the local display is faulty or you encounter other problems, search for the faults under "Process errors without messages" (→ Operating Instructions Memosens, BA01245C) or "Device-specific errors" (→  120).
 - ↳ Follow the recommended measures.
4. Contact the Service Department if you cannot rectify the error yourself, citing only the error number.

12.1.2 Process errors without messages

 Operating Instructions "Memosens", BA01245C

12.1.3 Device-specific errors

| Problem | Possible cause | Tests and/or remedial measures |
|--|--|--|
| Dark display (only with optional display) | No supply voltage | ▶ Check if supply voltage applied. |
| | Display connector plugged in incorrectly | ▶ Check. Must be in RJ45 socket on base module. |
| | Base module defective | ▶ Replace base module. |
| Values appear on display but: ▪ Display does not change and/or ▪ Device cannot be operated | Module not wired correctly | ▶ Check modules and wiring. |
| | Impermissible operating system condition | ▶ Switch off device and switch it on again. |
| Implausible measured values | Inputs defective | ▶ First perform tests and take measures as outlined in "Process-specific errors" section. Measuring input test: ▶ Connect the Memocheck Sim CYP03D to the input and use it to check the function of the input. |

| Problem | Possible cause | Tests and/or remedial measures |
|---|---------------------------------------|--|
| Current output, incorrect current value | Incorrect adjustment | ▶ Check with integrated current simulation, connect mA meter directly to current output. |
| | Load too large | |
| | Shunt/short to ground in current loop | |
| No current output signal | Base module defective | ▶ Check with integrated current simulation, connect mA meter directly to current output. |

12.2 Diagnostic information on local display (optional)

Up-to-date diagnostic events are displayed along with their status category, diagnostic code and short text. Clicking on the navigator lets you retrieve more information and tips on remedial measures.

12.3 Diagnostic information via web browser

The same diagnostic information that is available for the local display is available via the web server.

12.4 Diagnostic information via fieldbus

Diagnostic events, status signals and more information are transmitted according to the definitions and technical capability of the respective fieldbus systems.


12.5 Adapting the diagnostic information

12.5.1 Classification of diagnostic messages

In the **DIAG/Diagnostics list** menu, you can find more detailed information on the current diagnostic messages displayed.

In accordance with NAMUR specification NE 107, the diagnostic messages are characterized by:

- Message number
- Error category (letter in front of the message number)
 - **F** = (Failure) a malfunction has been detected
The measured value of the affected channel is no longer reliable. The cause of the malfunction is to be found in the measuring point. Any controller connected should be set to manual mode.
 - **C** = (Function check), (no error)
Maintenance work is being performed on the device. Wait until the work has been completed.
 - **S** = (Out of specification), the measuring point is being operated outside its specification
Operation is still possible. However, you run the risk of increased wear, a shorter operating life or lower accuracy levels. The cause of the problem is to be found outside the measuring point.
 - **M** = Maintenance required. Action must be taken as soon as possible
The device still measures correctly. Immediate measures are not necessary. However, proper maintenance efforts would prevent a possible malfunction in the future.
- Message text

 If you contact the Service Department, please cite the message number only. Since you can individually change the assignment of an error to an error category, the Service Department cannot use this information.

12.5.2 Adapting the diagnostic behavior

All the diagnostic messages are assigned to specific error categories at the factory. Since other settings might be preferred depending on the application, error categories and the effect errors have on the measuring point can be configured individually. Furthermore, every diagnostic message can be disabled.

Example


Diagnostic message 531 **Logbook full** appears on the display. You want to change this message so that an error is not shown on the display for example.

1. **Menu/Setup/General settings/Extended setup/Diagnostics settings/Diag. behavior .**
2. Select the diagnostics message and press the navigator button.
3. Decide: (a) Should the message be deactivated? (**Diagnostics message = Off**)
(b) Do you want to change the error category?(**Status signal**)
(c) Should an error current be output? (**Failure current = On**)
(d) Do you want to trigger a cleaning program? (**Cleaning program**)
4. Example: You deactivate the message.
 - ↳ The message is no longer displayed. In the **DIAG** menu, the message appears as **Past message**.

Possible settings

The list of diagnostic messages displayed depends on the path selected. There are device-specific messages, and messages that depend on what sensor is connected.

| Menu/Setup/Run the ../Extended setup/Diagnostics settings/Diag. behavior | | |
|--|-----------|--|
| Function | Options | Info |
| List of diagnostic messages | | ▶ Select the message to be changed. Only then can you make the settings for this message. |
| Diag. code | Read only | |

| Menu/Setup/Run the ../Extended setup/Diagnostics settings/Diag. behavior | | |
|--|---|---|
| Function | Options | Info |
| Diagnostic message | Selection <ul style="list-style-type: none"> ▪ Off ▪ On Factory setting Depends on the Diag. code | You can deactivate or reactivate a diagnostic message here. Deactivating means: <ul style="list-style-type: none"> ▪ No error message in the measuring mode ▪ No error current at the current output |
| Failure current | Selection <ul style="list-style-type: none"> ▪ Off ▪ On Factory setting Depends on the Diag. code | Decide whether an error current should be output at the current output if the diagnostic message display is activated. In the event of general device errors, the error current is switched to all the current outputs. In the event of channel-specific errors, the error current is only switched to the current output in question. |
| Status signal | Selection <ul style="list-style-type: none"> ▪ Maintenance (M) ▪ Out of specification (S) ▪ Function check (C) ▪ Failure (F) Factory setting Depends on the Diag. code | The messages are divided into different error categories in accordance with NAMUR NE 107. Decide whether you want to change a status signal assignment for your application. |
| Diag. output | Selection <ul style="list-style-type: none"> ▪ None ▪ Binary outputs ▪ Alarm relay ▪ Relay Factory setting None | You can use this function to select an output to which the diagnostic message should be assigned.  An alarm relay is always available, regardless of the device version. Other relays are optional. Before you can assign the message to an output: Configure one of the output types mentioned as follows: Menu/Setup/Outputs/(Alarm relay or Binary output or relay)/Function = Diagnostics and Operating mode = as assigned. |
| Cleaning program | Selection <ul style="list-style-type: none"> ▪ None ▪ Cleaning 1 ... 4 Factory setting None | Decide whether the diagnostic message should trigger a cleaning program. You can define cleaning programs under: Menu/Setup/Additional functions/Cleaning. |
| ► Detailed information | Read only | Here you can find more information on the diagnostic message and instructions on how to resolve the problem. |

12.6 Overview of diagnostic information

12.6.1 Device-specific, general diagnostic messages

| No. | Message | Factory settings | | | Tests or remedial action |
|-----|-----------------|------------------|-----------------|-----------------|---|
| | | S ¹⁾ | D ²⁾ | F ³⁾ | |
| 202 | Selftest active | F | On | Off | Wait for self-test to be finished |
| 216 | Hold active | C | On | Off | Output values and status of the channel are on hold |

| No. | Message | Factory settings | | | Tests or remedial action |
|-----|-----------------------|------------------|-----------------|-----------------|--|
| | | S ¹⁾ | D ²⁾ | F ³⁾ | |
| 241 | Firmware failure | F | On | On | Internal device error |
| 242 | Firmware incomp. | F | On | On | 1. Update the software. |
| 243 | Firmware failure | F | On | On | 2. Contact Endress+Hauser Service. 3. Replace the backplane (Endress+Hauser Service). |
| 261 | Electronics module | F | On | On | Electronics module defective 1. Replace the module. 2. Contact Endress+Hauser Service. |
| 262 | Module connection | F | On | On | Electronics module not communicating 1. Check the module , replace it if necessary. 2. Contact Endress+Hauser Service. |
| 263 | Incomp. detected | F | On | On | Wrong type of electronics module 1. Replace the module. 2. Contact Endress+Hauser Service. |
| 284 | Firmware update | M | On | Off | Update completed successfully |
| 285 | Update error | F | On | On | Firmware update failed 1. Repeat. 2. SD card error → use another card. 3. Incorrect firmware → repeat with suitable firmware. 4. Contact Endress+Hauser Service. |
| 302 | Battery low | M | On | Off | Buffer battery of real time clock is low The date and time are lost if the power is interrupted. ▶ Contact Endress+Hauser Service (battery replacement). |
| 304 | Module data | F | On | On | At least 1 module has incorrect configuration data 1. Check the system information. 2. Contact Endress+Hauser Service. |
| 305 | Power consumption | F | On | On | Total power consumption too high 1. Check installation. 2. Remove sensors/modules. |
| 306 | Software error | F | On | On | Internal firmware error ▶ Contact Endress+Hauser Service. |
| 366 | Module connection | F | On | On | No communication with the actuator module ▶ Check the internal connecting cable to the 1IF module. |
| 370 | Internal voltage | F | On | On | Internal voltage outside the valid range 1. Check supply voltage. 2. Check inputs and outputs for short-circuiting. |
| 373 | Electronic temp. high | M | On | Off | High electronics temperature ▶ Check ambient temperature and energy consumption. |
| 374 | Sensor check | F | On | Off | No measurement signal from sensor 1. Check sensor connection. 2. Check the sensor, replace it if necessary. |

| No. | Message | Factory settings | | | Tests or remedial action |
|-----|---------------------|------------------|-----------------|-----------------|--|
| | | S ¹⁾ | D ²⁾ | F ³⁾ | |
| 401 | Factory reset | F | On | On | Factory reset is performed |
| 403 | Device verification | M | Off | Off | Device verification active, please wait |
| 405 | Service IP active | C | Off | Off | Endress+Hauser Service switch is switched on The device can be addressed at 192.168.1.212. ▶ Switch off the service switch to change to the saved IP settings. |
| 406 | Param. active | C | Off | Off | ▶ Wait for configuration to be finished. |
| 407 | Diag. setup active | C | Off | Off | ▶ Wait for maintenance to be finished. |
| 412 | Writing backup | F | On | Off | ▶ Wait for the write process to be finished |
| 413 | Reading backup | F | On | Off | ▶ Wait. |
| 436 | SD card (80%) | M | On | Off | SD card 80% full 1. Replace SD card with empty card. 2. Clear SD card. 3. Set logbook properties to ring buffer (Setup/General settings/Logbooks). |
| 437 | SD card (100%) | M | On | Off | SD card 100% full. No longer possible to write to the card. 1. Replace SD card with empty card. 2. Clear SD card. 3. Set logbook properties to ring buffer (Setup/General settings/Logbooks). |
| 438 | SD card removed | M | On | Off | SD card not plugged in 1. Check SD card. 2. Replace SD card. 3. Disable logging. |
| 455 | Mathemat. function | F | On | On | Mathematical function: fault condition 1. Check mathematical function. 2. Check assigned input variables. |
| 460 | Output below limit | S | On | Off | Reasons ▪ Sensor in air ▪ Air pockets in assembly ▪ Sensor fouled ▪ Incorrect flow to sensor 1. Check sensor installation. 2. Clean the sensor. 3. Change assignment of current outputs. |
| 461 | Output above limit | S | On | Off | |
| 502 | No text catalog | F | On | On | ▶ Contact Endress+Hauser Service. |
| 503 | Language change | M | On | Off | Language change failed ▶ Contact Endress+Hauser Service. |
| 529 | Diag. setup active | C | Off | Off | ▶ Wait for maintenance to be finished. |
| 530 | Logbook at 80% | M | On | Off | 1. Save the logbook to the SD card and then delete the logbook in the device. 2. Set memory to circular buffer. 3. Deactivate logbook. |
| 531 | Logbook full | M | On | Off | |
| 532 | License error | M | On | Off | ▶ Contact Endress+Hauser Service. |
| 540 | Parameter save fail | M | On | Off | Storage of configuration has failed ▶ Repeat. |

| No. | Message | Factory settings | | | Tests or remedial action |
|--------------|---|------------------|-----------------|-----------------|--|
| | | S ¹⁾ | D ²⁾ | F ³⁾ | |
| 541 | Parameter load ok | M | On | Off | Configuration successfully loaded |
| 542 | Parameter load fail | M | On | Off | Loading of configuration has failed ► Repeat. |
| 543 | Parameter load abort | M | On | Off | Configuration loading aborted |
| 544 | Parameter reset ok | M | On | Off | Factory default successful |
| 545 | Parameter reset fail | M | On | Off | Setting of device configuration to factory setting has failed |
| 583 | SD card write protected | M | On | Off | SD card write-protected. Not possible to write to the card. <ol style="list-style-type: none"> 1. Remove the write protection from the SD card. 2. Replace the SD card with an SD card that does not have write protection. 3. Set logbook properties to ring buffer (Setup/General settings/Logbooks). |
| 906 | Cat.exchanger failure | F | On | Off | Invalid values for conductivity or flow <ol style="list-style-type: none"> 1. Check for valid measured values in the menu of the mathematical function. 2. Check sensors. 3. Check minimum flow. |
| 907 | Cat.exchanger warning | S | On | Off | Limit values exceeded for conductivity or flow. Possible reasons: <ul style="list-style-type: none"> ▪ Resin depleted ▪ Blocked pipe ► Check application. |
| 908 | IEX capacity low | M | On | Off | The capacity of the exchange resin will soon be exhausted. ► Schedule resin regeneration or replacement. |
| 909 | IEX capacity exhausted | F | On | Off | The capacity of the exchange resin is exhausted. ► Regenerate or replace the resin. |
| 910 | Limit switch | S | On | Off | Limit switch activated |
| 937 | Controlled variable | S | On | Off | Controller input warning Status of the controller variable is not OK ► Check application. |
| 938 | Controller setpoint | S | On | Off | Controller input warning Status of set point is not OK ► Check application. |
| 939 | Control. disturbance | S | On | Off | Controller input warning Status of disturbance variable is not OK ► Check application. |
| 951 - 958 | Hold active CH1 .. | C | On | Off | Output values and status of the channels are on hold. ► Wait until the hold is deactivated. |
| 961 - 968 | Diagnostic module 1 (961) ... Diagnostic module 8 (968) | S | Off | Off | Diagnostic module is enabled |

| No. | Message | Factory settings | | | Tests or remedial action |
|-----|----------------------|------------------|-----------------|-----------------|--|
| | | S ¹⁾ | D ²⁾ | F ³⁾ | |
| 969 | Modbus Watchdog | S | Off | Off | The device did not receive a Modbus telegram from the master within the specified time. The status of received Modbus process values is set to invalid |
| 970 | Curr. input overload | S | On | On | Current input overloaded The current input is switched off at 23 mA and above due to overload and reactivated automatically when a normal load is present. |
| 971 | Current Input low | S | On | On | Current input too low At 4 to 20 mA, the input current is less than the lower fault current. ► Check the input for short-circuit. |
| 972 | Curr. input > 20 mA | S | On | On | Output current above current output range |
| 973 | Current Input < 4 mA | S | On | On | Output current below current output range |
| 974 | Diagnostics confirm. | C | Off | Off | User has acknowledged the message displayed in the measuring menu. |
| 975 | Device restart | C | Off | Off | Device reset |
| 976 | PFM/PWM value high | S | On | Off | Pulse frequency modulation: Measured value above/below the specified output signal range. <ul style="list-style-type: none"> ■ Sensor in air ■ Air pockets in assembly ■ Incorrect flow to sensor ■ Sensor fouled <ol style="list-style-type: none"> 1. Clean the sensor 2. Check plausibility. 3. Adjust the PFM configuration. |
| 977 | PFM/PWM value low | S | On | Off | |
| 978 | Chemoclean Failsafe | S | On | On | No feedback signal detected within the configured period. <ol style="list-style-type: none"> 1. Check application. 2. Check wiring. 3. Extend the duration. 4. Carry out active reset of Failsafe. Path: Menu/Setup/Additional functions/Cleaning Cleaning x/Stop failsafe |
| 990 | Deviation limit | F | On | On | Redundancy: Percentage deviation value above limit value |
| 991 | CO2 conc. range | F | On | On | CO ₂ concentration (degassed conductivity) outside the measuring range |
| 992 | pH calculation range | F | On | On | pH calculation outside the measuring range |
| 993 | rH calculation range | F | On | On | rH calculation outside the measuring range |
| 994 | Difference conduct. | F | On | On | Dual conductivity outside the measuring range |

- 1) **Status signal**
2) **Diagnostic message**
3) **Failure current**

12.6.2 Sensor-specific diagnostic messages



Operating Instructions "Memosens", BA01245C

12.7 Pending diagnostic messages

The Diagnostics menu contains all the information on the device status.

Furthermore, various service functions are available.

The following messages are directly displayed every time you enter the menu:

- **Most important message**
Diagnostic message recorded with the highest criticality level
- **Past message**
Diagnostic message whose cause is no longer present.

All the other functions in the Diagnostics menu are described in the following chapters.

12.8 Diagnostics list

All the current diagnostic messages are listed here.

A time stamp is available for each message. Furthermore, the user also sees the configuration and description of the message as saved in **Menu/Setup/General settings/Extended setup/Diagnostics settings/Diag. behavior**.

12.9 Event logbook

12.9.1 Available logbooks

Types of logbooks

- Logbooks physically available (all apart from the overall logbook)
- Database view of all logbooks (= overall logbook)

| Logbook | Visible in | Max. entries | Can be disabled ¹⁾ | Logbook can be deleted | Entries can be deleted | Can be exported |
|-------------------------------------|--|--------------|-------------------------------|------------------------|------------------------|-----------------|
| Overall logbook | All events | 20000 | Yes | No | Yes | No |
| Calibration logbook | Calibration events | 75 | (Yes) | No | Yes | Yes |
| Operation logbook | Configuration events | 250 | (Yes) | No | Yes | Yes |
| Diagnostics logbook | Diagnostic events | 10000 | (Yes) | No | Yes | Yes |
| Version logbook | All events | 50 | No | No | No | Yes |
| Hardware version logbook | All events | 125 | No | No | No | Yes |
| Data logbook for sensors (optional) | Data logbooks | 150 000 | Yes | Yes | Yes | Yes |
| Debugging logbook | Debug events (only accessible by entering the special service activation code) | 1000 | Yes | No | Yes | Yes |

1) Data in brackets means this depends on the overall logbook

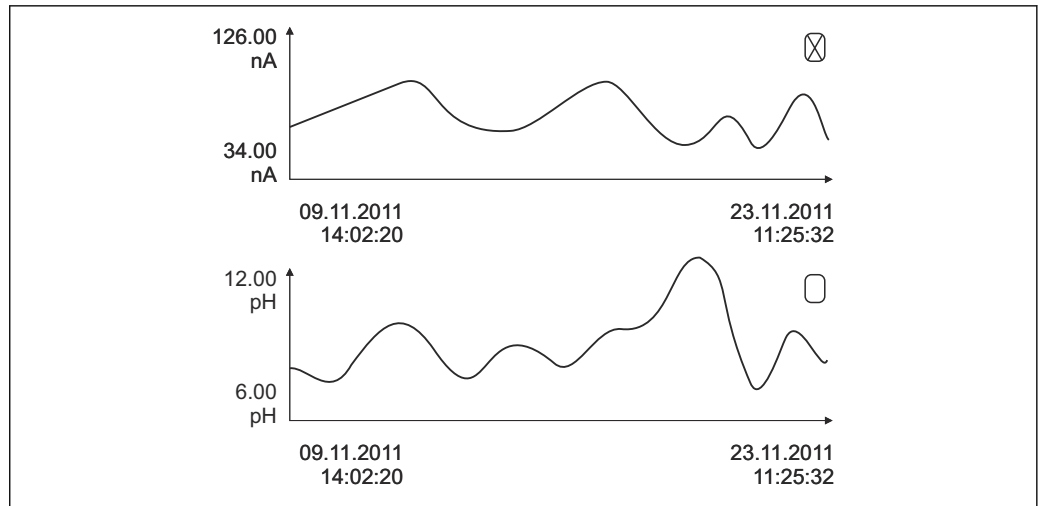
12.9.2 Logbooks menu

| DIAG/Logbooks | | |
|------------------------|--|---|
| Function | Options | Info |
| ▶ All events | | Chronological list of all the logbook entries, with information on the type of event |
| ▶ Show | Events are displayed | Select a particular event to display more detailed information. |
| ▶ Go to date | User entry <ul style="list-style-type: none"> ▪ Go to date ▪ Time | Use this function to go directly to a specific time in the list. In this way, you avoid having to scroll through all the information. The complete list is always visible, however. |
| ▶ Calibration events | | Chronological list of the calibration events |
| ▶ Show | Events are displayed | Select a particular event to display more detailed information. |
| ▶ Go to date | User entry <ul style="list-style-type: none"> ▪ Go to date ▪ Time | Use this function to go directly to a specific time in the list. In this way, you avoid having to scroll through all the information. The complete list is always visible, however. |
| ▷ Delete all entries | Action | You can delete all the calibration logbook entries here. |
| ▶ Configuration events | | Chronological list of the configuration events |
| ▶ Show | Events are displayed | Select a particular event to display more detailed information. |
| ▶ Go to date | User entry <ul style="list-style-type: none"> ▪ Go to date ▪ Time | Use this function to go directly to a specific time in the list. In this way, you avoid having to scroll through all the information. The complete list is always visible, however. |
| ▷ Delete all entries | Action | You can use this to delete all the operation logbook entries. |
| ▶ Diagnostic events | | Chronological list of the diagnostics events |
| ▶ Show | Events are displayed | Select a particular event to display more detailed information. |
| ▶ Go to date | User entry <ul style="list-style-type: none"> ▪ Go to date ▪ Time | Use this function to go directly to a specific time in the list. In this way, you avoid having to scroll through all the information. The complete list is always visible, however. |
| ▷ Delete all entries | Action | You can use this to delete all the diagnostics logbook entries. |

You can also view your data logbook entries graphically on the display (**Show plot**).

You can also adapt the display to suit your individual requirements:


- Press the navigator button in the graphic display: you are given additional options such as the zoom function and x/y movement of the graph.
- Define the cursor: if you select this option, you can move along the graph with the navigator and view the logbook entry (data stamp/measured value) in text form for every point in the graph.
- Simultaneous display of two logbooks: **Select 2nd plot** and **Show plot**
 - A small cross marks the currently selected graph for which the zoom can be changed or a cursor used, for example.
 - In the context menu (press the navigator button), you can select the other graph. You can then apply the zoom function, a movement or a cursor to this graph.
 - Using the context menu, you can also select both graphs simultaneously. This enables you to use the zoom function on both graphs simultaneously, for example.



A0016688

63 Simultaneous display of two graphs, the top one is selected

| DIAG/Logbooks | | |
|--|---|---|
| Function | Options | Info |
| ▶ Data logbooks | | Chronological list of the data logbook entries for sensors |
| Data logbook 1 ... 8 <Logbook name> | | This submenu is available for each data logbook that you have set up and activated. |
| Source of data | Read only | Input or mathematical function is displayed |
| Measured value | Read only | Measured value being recorded is displayed |
| Log time left | Read only | Display of days, hours and minutes until logbook is full. ▶ Pay attention to the information on selecting the memory type in the menu General settings/Logbooks . |
| ▶ Show | Events are displayed | Select a particular event to display more detailed information. |
| ▶ Go to date | User entry ▪ Go to date ▪ Time | Use this function to go directly to a specific time in the list. In this way, you avoid having to scroll through all the information. The complete list is always visible, however. |
| ▶ Show plot | Graphic display of the logbook entries | The display is according to your settings in the menu General settings/Logbooks . |
| Select 2nd plot | Select another data logbook | You can view a second logbook at the same time as the current one. |
| ▷ Delete all entries | Action | You can use this to delete all data logbook entries. |
| ▶ Save logbooks | | |
| File format | Selection ▪ CSV ▪ FDM | ▶ Save the logbook in the preferred file format. You can then open the saved CSV file on the PC in MS Excel, for example, and make further edits here. ¹⁾ You can import the FDM files into FieldCare and archive them so that they are tamper-proof. |


| DIAG/Logbooks | | |
|--|---|--|
| Function | Options | Info |
| <ul style="list-style-type: none"> ▷ All data logbooks ▷ Data logbook 1 ... 8 ▷ All event logbooks ▷ Calibration logbook ▷ Diagnostic logbook ▷ Configuration logbook ▷ HW version logbook ▷ Version logbook | Action, commences as soon as the option is selected | Use this function to save the logbook to an SD card. <ul style="list-style-type: none"> ▶ Save the logbook in the preferred file format. You can then open the saved CSV file on the PC in MS-Excel, for example, and edit it. You can import the FDM files into Fieldcare and archive them so they are tamper-proof. |
|  The file name is made up of the Logbook ident (Menu/Setup/General settings/Logbooks) , an abbreviation for the particular logbook and a time stamp. | | |

- 1) CSV files use international number formats and separators. Therefore they must be imported into MS Excel as external data with the correct format settings. If you double-click the file to open it, the data are only displayed correctly if MS Excel is installed with the US country setting.

12.10 Simulation

You can simulate values at inputs and outputs for testing purposes:


- Current values at current outputs
- Measured values at inputs
- Relay contact opening or closing

 Only current values are simulated. Via the simulation function, it is not possible to calculate the totalized value for the flow or rainfall.

| DIAG/Simulation | | |
|------------------------------|--|---|
| Function | Options | Info |
| ▶ Current output x:y | | Simulation of an output current This menu appears once for each current output. |
| Simulation | Selection <ul style="list-style-type: none"> ■ Off ■ On Factory setting Off | If you simulate the value at the current output, this is indicated on the display by a simulation icon in front of the current value. |
| Current | 2.4 to 23.0 mA Factory setting 4 mA | ▶ Set the desired simulation value. |
| ▶ Alarm relay ▶ Relay x:y | | Simulation of a relay state This menu appears once for each relay. |
| Simulation | Selection <ul style="list-style-type: none"> ■ Off ■ On Factory setting Off | If you simulate the relay state, this is indicated on the display by a simulation icon in front of the relay display. |
| State | Selection <ul style="list-style-type: none"> ■ Low ■ High Factory setting Low | ▶ Set the desired simulation value. The relay switches in accordance with your setting when you switch on the simulation. On the measured value display, you see On (= Low) or Off (= High) for the simulated relay state. |

| DIAG/Simulation | | |
|---------------------------------------|--|--|
| Function | Options | Info |
| ► Meas. inputs | | Simulation of a measured value (only for sensors) This menu appears once for each measuring input. |
| Channel : parameter | | |
| Simulation | Selection <ul style="list-style-type: none"> ▪ Off ▪ On Factory setting Off | If you simulate the measured value, this is indicated on the display by a simulation icon in front of the measured value. |
| Main value | Depends on the sensor | ► Set the desired simulation value. |
| Sim. temperature | Selection <ul style="list-style-type: none"> ▪ Off ▪ On Factory setting Off | If you simulate the temperature measured value, this is indicated on the display by a simulation icon in front of the temperature. |
| Temperature | -50.0 to +250.0 °C (-58.0 to 482.0 °F) Factory setting 20.0 °C (68.0 °F) | ► Set the desired simulation value. |
| Binary input x:y Binary output x:y | | Simulation of a binary input or output signal The number of submenus available corresponds to the number of binary inputs or outputs. |
| Simulation | Selection <ul style="list-style-type: none"> ▪ Off ▪ On Factory setting Off | |
| State | Selection <ul style="list-style-type: none"> ▪ Low ▪ High | |

12.11 Device test

| DIAG/System test | | |
|------------------|--|---|
| Function | Options | Info |
| ► Photometer | | |
| Cleaning factor | Read only | |
| ► Power supply | Read only <ul style="list-style-type: none"> ▪ Digital supply 1: 1.2V ▪ Digital supply 2: 3.3V ▪ Analog supply: 12.5V ▪ Sensor supply: 24V ▪ Temperature | Detailed list of power supply to instrument.  The actual values can vary without a malfunction being present. |


| DIAG/System test | | |
|------------------------|---------|---|
| Function | Options | Info |
| ▶ Heartbeat | | Heartbeat has no effect on the outputs and their status. You can start the verification at any time without affecting the measurement. |
| ▶ Perform verification | | Starts verification. <ol style="list-style-type: none"> 1. To save the results, press OK. <ul style="list-style-type: none"> ↳ Results displayed (see below) 2. Ensure that the writable SD card is inserted in the device's card reader. <p>Export to SD-card.</p> <ul style="list-style-type: none"> ↳ Results are written to the SD card in the form of a PDF file. Display indicates if this was successful or not. 3. If export fails: <ul style="list-style-type: none"> Check SD card; use a different SD card if necessary. Check SD compartment on base module. |
| ▷ Verification results | | Result display <ul style="list-style-type: none"> ▪ Plant operator Customized text, maximum 32 characters ▪ Location Customized text, maximum 32 characters ▪ Verification report Automatic time stamp ▪ Verification ID Automatic counter ▪ Overall result Passed or failed |
| ▷ Export to SD-card | | Export the verification report as a pdf file <ul style="list-style-type: none"> ▪ Detailed report on various device tests ▪ Input and output information ▪ Device information ▪ Sensor information The report is ready to be printed out and signed. You can file it immediately in an operations log, for example. |

12.12 Resetting the measuring device

| DIAG/Reset | | |
|-------------------|--|--|
| Function | Options | Info |
| ▷ Device restart | Selection <ul style="list-style-type: none"> ▪ OK ▪ ESC | Restart and keep all the settings |
| ▷ Factory default | Selection <ul style="list-style-type: none"> ▪ OK ▪ ESC | Restart with factory settings Settings that have not been saved are lost. |

12.13 Device information

12.13.1 System information

| DIAG/System information | | |
|---|---|---|
| Function | Options | Info |
| Device tag | Read only | Individual device tag → General settings |
| Order code | Read only | You can order identical hardware with this code. This code changes on account of changes to the hardware and you can enter the new code you received from the manufacturer here ¹⁾ . |
|  To establish the version of your device, enter the order code into the search screen at the following address: www.endress.com/order-ident | | |
| Orig. order code ext. | Read only | Complete order code for the original device, resulting from the product structure. |
| Current order code ext. | Read only | Current code, taking into account changes to the hardware. You must enter this code yourself. |
| Serial number | Read only | The serial number allows you to access device data and documentation on the Internet: www.endress.com/device-viewer |
| Software version | Read only | Current version |
| ► HART <i>Only with the HART option</i> | Read only <ul style="list-style-type: none"> ▪ Bus address ▪ Unique address ▪ Manufacturer ID ▪ Device type ▪ Device revision ▪ Software revision | HART-specific information The unique address is linked to the serial number and is used to access devices in a Multidrop environment. Device and software version numbers are incremented as soon as changes have been made. |
| ► Modbus <i>Only with the Modbus option</i> | Read only <ul style="list-style-type: none"> ▪ Enable ▪ Bus address ▪ Termination ▪ Modbus TCP Port 502 | Modbus-specific information |
| ► PROFIBUS <i>Only with the PROFIBUS option</i> | Read only <ul style="list-style-type: none"> ▪ Termination ▪ Bus address ▪ Ident number ▪ Baudrate ▪ DPVO state ▪ DPVO fault ▪ DPVO master addr ▪ DPVO WDT [ms] | Module status and other PROFIBUS-specific information |

| DIAG/System information | | |
|---|---|---|
| Function | Options | Info |
| <p>▶ Ethernet</p> <p><i>Only with the Ethernet, EtherNet/IP, Modbus TCP, Modbus RS485 or PROFIBUS DP or PROFINET option</i></p> | <p>Read only</p> <ul style="list-style-type: none"> ▪ Enable ▪ Webserver ▪ Link settings ▪ DHCP ▪ IP address ▪ Netmask ▪ Gateway ▪ Service switch ▪ MAC address ▪ EtherNetIP Port 44818 ▪ Modbus TCP Port 502 ▪ Webserver TCP port 80 | <p>Ethernet-specific information</p> <p>Display depends on the fieldbus protocol used.</p> |
| <p>▶ PROFINET</p> <p><i>Only with the PROFINET option</i></p> | | |
| <p>Name of station</p> | <p>Read only</p> | |
| <p>▶ SD card</p> | <p>Read only</p> <ul style="list-style-type: none"> ▪ Total ▪ Free memory | |
| <p>▶ System modules</p> | | |
| <p>Backplane</p> | <p>Read only</p> <ul style="list-style-type: none"> ▪ Description ▪ Serial number ▪ Order code ▪ Hardware version ▪ Software version | <p>This information is provided for every electronics module available. Specify the serial numbers and order codes when servicing, for example.</p> |
| <p>Base</p> | | |
| <p>Display module</p> | | |
| <p>Extension module 1 ... 8</p> | | |
| <p>▶ Sensors</p> | <p>Read only</p> <ul style="list-style-type: none"> ▪ Description ▪ Serial number ▪ Order code ▪ Hardware version ▪ Software version | <p>This information is provided for every sensor available. Specify the serial numbers and order codes when servicing, for example.</p> |
| <p>▶ Save system information</p> | | |
| <p>▷ Save to SD card</p> | <p>File name assigned automatically (includes a time stamp)</p> | <p>The information is saved on the SD card in a "sysinfo" subfolder. The csv file can be read and edited in MS Excel, for example. This file can be used when servicing the device.</p> |

| DIAG/System information | | |
|-------------------------|---|--|
| Function | Options | Info |
| ▶ Heartbeat operation | | Heartbeat functions are only available with the appropriate device version or optional access code. |
| ▶ Device | Read only <ul style="list-style-type: none"> ▪ Total operating time ▪ Counters since reset <ul style="list-style-type: none"> ▪ Availability ▪ Operating time ▪ Time in failure ▪ Number of failures ▪ MTBF ▪ MTTR ▪ ▷ Reset counters | Availability Percentage of time no error with the status signal F was pending $(\text{Operating time} - \text{Time in failure}) * 100\% / \text{Operating time}$ Time in failure Total amount of time an error with the status signal F was pending MTBF Mean Time Between Failures $(\text{Operating time} - \text{Time in failure}) / \text{Number of failures}$ MTTR Mean Time To Repair $\text{Time in failure} / \text{Number of failures}$ |

1) Provided you give the manufacturer all the information about changes to the hardware.

12.13.2 Sensor information

- ▶ Select the required channel from the list of channels.

Information in the following categories is displayed:

- **Extreme values**
 Extreme conditions to which the sensor was previously exposed, e.g. min./max. temperatures ³⁾
- **Operating time**
 Operating time of the sensor under defined extreme conditions
- **Calibration information**
 Calibration data of the last calibration
 Calibration data of the factory calibration ⁴⁾
- **Sensor specifications**
 Measuring range limits for main measured value and temperature
- **General information**
 Information on sensor identification

The specific data that are displayed depends on what sensor is connected.

3) Not available for all sensor types.

4) Not available for all sensor types.

12.14 Firmware history

| Date | Version | Changes to firmware | Documentation |
|---------|----------|---|---|
| 12/2019 | 01.07.00 | <p>Expansion</p> <ul style="list-style-type: none"> ▪ Support for new BASE2 module ▪ PROFINET ▪ New sensor Memosens Wave CAS80E ▪ Time switch for binary process values depending on time-based conditions <p>Improvement</p> <ul style="list-style-type: none"> ▪ Maximum character length for formula mathematical function has been extended to 255 characters ▪ Heartbeat device status also via fieldbus ▪ Heartbeat Verification: Status "not activated" redefined ▪ Single-point calibration for pH sensors adapted to process and logbook behavior of CM42 ▪ Format of delta time extended to seconds | <p>BA01225C/07/EN/13.19 BA00486C/07/EN/02.13 BA01245C/07/EN/08.20</p> |
| 01/2019 | 01.06.08 | <p>Improvement</p> <ul style="list-style-type: none"> ▪ Heartbeat verification no longer affects outputs ▪ Graphic display of Heartbeat status also in integrated web server ▪ Limit values for electrolyte depletion for amperometric oxygen sensors ▪ Limit values for CIP cycles for 4-pin conductivity sensors | <p>BA01225C/07/EN/11.19 BA00486C/07/EN/02.13 BA01245C/07/EN/06.19</p> |
| 05/2018 | 01.06.06 | <p>Improvement</p> <ul style="list-style-type: none"> ▪ New soft keys ALL and NONE in multiple choice editors ▪ Manual factor for CAS51D nitrate ▪ Calibration timer and validity revised for pH, conductivity, oxygen and disinfection ▪ Clear distinction between offset and 1-point calibration for pH ▪ Heartbeat verification report can now also be downloaded via the web server ▪ Better description of diagnostics code 013 | <p>BA01225C/07/EN/10.18 BA00486C/07/EN/02.13 BA01245C/07/EN/05.17</p> |
| 06/2017 | 01.06.04 | <p>Expansion</p> <ul style="list-style-type: none"> ▪ Heartbeat Monitoring and Verification ▪ New mathematical function Formula ▪ New sensors: CUS50D and chlorine dioxide ▪ Calibration via Ethernet/IP ▪ PDF generator for Heartbeat ▪ Sample calibration CAS51D <p>Improvement</p> <ul style="list-style-type: none"> ▪ Changes to conductivity concentration tables ▪ Renaming of parameter chlorine → Disinfection ▪ Last active measuring screen restored after reboot ▪ Cap and electrolyte replacements are logged in the calibration logbook (oxygen, disinfection) ▪ Manual factor for nitrate | <p>BA01225C/07/EN/05.17 BA00486C/07/EN/02.13 BA01245C/07/EN/05.17</p> |
| 12/2016 | 01.06.03 | <p>Expansion</p> <ul style="list-style-type: none"> ▪ Sensor calibration via Modbus or Ethernet/IP: conductivity, oxygen, chlorine and turbidity ▪ Four-factor adjustment, SAC ▪ Flash meter, nitrate and SAC ▪ New sludge model CUS51D <p>Improvement</p> <ul style="list-style-type: none"> ▪ Local display can be locked via Modbus or Ethernet/IP ▪ The output status can also be recorded in the data logbook ▪ Name of Endress+Hauser pH buffer 9.18 changed to 9.22 ▪ CUS51D factor can be read out via fieldbus | <p>BA01225C/07/EN/04.16 BA00486C/07/EN/02.13 BA01245C/07/EN/04.16</p> |

| Date | Version | Changes to firmware | Documentation |
|---------|----------|---|---|
| 03/2016 | 01.06.00 | <p>Expansion</p> <ul style="list-style-type: none"> ▪ Heartbeat verification ▪ User-configurable diagnostic modules ▪ Four-factor adjustment, SAC ▪ Offset calibration CUS71D ▪ New mathematical function, cation exchanger ▪ Configurable byte order for Modbus <p>Improvement</p> <ul style="list-style-type: none"> ▪ Sensor calibration validity check (adaptation to batch processes) ▪ pH-Offset can be saved in either the sensor or the transmitter (previously only possible in the transmitter) ▪ CUS71D screens (gain display, trend information) ▪ Modified menu texts | <p>BA01225C/07/EN/04.16 BA00486C/07/EN/02.13 BA01245C/07/EN/03.16</p> |
| 03/2015 | 01.05.02 | <p>Expansion</p> <ul style="list-style-type: none"> ▪ Conductivity: <ul style="list-style-type: none"> ▪ New sensor: CLS82D ▪ Concentration always visible in measuring menus ▪ Expansion of concentration tables ▪ Oxygen: <ul style="list-style-type: none"> ▪ New sensor: COS81D ▪ SAC, nitrate, turbidity: <ul style="list-style-type: none"> ▪ Calibration settings adjusted ▪ Adjustable flash rate (expert function) <p>Improvement</p> <p>Menu corrections (functions, designations)</p> | <p>BA01225C/07/EN/03.15 BA00486C/07/EN/02.13 BA01245C/07/EN/02.15</p> |
| 12/2013 | 01.05.00 | <p>Expansion</p> <ul style="list-style-type: none"> ▪ Chemoclean Plus ▪ Calendar function for cleaning ▪ Conductivity: <ul style="list-style-type: none"> ▪ Measuring range switching also for conductive conductivity measurement ▪ External temperature signal via current input ▪ Oxygen: <ul style="list-style-type: none"> ▪ External pressure or temperature signals via current input ▪ Connected conductivity sensor can be used to calculate the salinity ▪ SAC, nitrate, turbidity: <ul style="list-style-type: none"> ▪ Calibration settings can be configured via fieldbus ▪ Channel-specific diagnostics codes for HOLD function ▪ Support for Ethernet/IP <p>Improvement</p> <ul style="list-style-type: none"> ▪ Web server login for managing multiple users ▪ Set point and PID parameters for controllers can be configured via fieldbus | <p>BA01225C/07/EN/02.13 BA00486C/07/EN/02.13 BA01245C/07/EN/01.13</p> |
| 07/2013 | 01.04.00 | Original firmware | <p>BA01225C/07/EN/01.13 BA01227C/07/EN/01.13 BA00450C/07/EN/17.13 BA00451C/07/EN/16.13 BA00486C/07/EN/02.13</p> |

LZ4 Library

Copyright (c) 2011-2016, Yann Collet

All rights reserved.

Redistribution and use in source and binary forms, with or without modification, are permitted provided that the following conditions are met:

* Redistributions of source code must retain the above copyright notice, this list of conditions and the following disclaimer.

* Redistributions in binary form must reproduce the above copyright notice, this list of conditions and the following disclaimer in the documentation and/or other materials provided with the distribution.

THIS SOFTWARE IS PROVIDED BY THE COPYRIGHT HOLDERS AND CONTRIBUTORS "AS IS" AND ANY EXPRESS OR IMPLIED WARRANTIES, INCLUDING, BUT NOT LIMITED TO, THE IMPLIED WARRANTIES OF MERCHANTABILITY AND FITNESS FOR A PARTICULAR PURPOSE ARE DISCLAIMED. IN NO EVENT SHALL THE COPYRIGHT HOLDER OR CONTRIBUTORS BE LIABLE FOR ANY DIRECT, INDIRECT, INCIDENTAL, SPECIAL, EXEMPLARY, OR CONSEQUENTIAL DAMAGES (INCLUDING, BUT NOT LIMITED TO, PROCUREMENT OF SUBSTITUTE GOODS OR SERVICES; LOSS OF USE, DATA, OR PROFITS; OR BUSINESS INTERRUPTION) HOWEVER CAUSED AND ON ANY THEORY OF LIABILITY, WHETHER IN CONTRACT, STRICT LIABILITY, OR TORT (INCLUDING NEGLIGENCE OR OTHERWISE) ARISING IN ANY WAY OUT OF THE USE OF THIS SOFTWARE, EVEN IF ADVISED OF THE POSSIBILITY OF SUCH DAMAGE.

13 Maintenance

Effects on process and process control

- ▶ Take all the necessary precautions in time to ensure the operational safety and reliability of the entire measuring point.

The maintenance of the measuring point comprises:

- Calibration
- Cleaning the controller, assembly and sensor
- Checking cables and connections.

⚠ WARNING

Process pressure and temperature, contamination, electrical voltage

Risk of serious or fatal injury

- ▶ Avoid hazards posed by pressure, temperature and contamination.
- ▶ Make sure the device is de-energized before you open it.
- ▶ Power can be supplied to switching contacts from separate circuits. De-energize these circuits before working on the terminals.

NOTICE

Electrostatic discharge (ESD)

Risk of damaging the electronic components

- ▶ Take personal protective measures to avoid ESD, such as discharging beforehand at PE or permanent grounding with a wrist strap.
- ▶ For your own safety, use only genuine spare parts. With genuine parts, the function, accuracy and reliability are also ensured after maintenance work.

13.1 Cleaning

13.1.1 External display (in installed state)

- ▶ Clean the front of the housing using commercially available cleaning agents only.

The front of the housing is resistant to the following in accordance with DIN 42 115:

- Ethanol (for a short time)
- Diluted acids (max. 2% HCl)
- Diluted bases (max. 3% NaOH)
- Soap-based household cleaning agents

NOTICE

Cleaning agents not permitted

Damage to the housing surface or housing seal

- ▶ Never use concentrated mineral acids or alkaline solutions for cleaning.
- ▶ Never use organic cleaners such as acetone, benzyl alcohol, methanol, methylene chloride, xylene or concentrated glycerol cleaner.
- ▶ Never use high-pressure steam for cleaning.

13.1.2 Digital sensors

⚠ CAUTION

Programs not switched off during maintenance activities.

Risk of injury due to medium or cleaning agent!

- ▶ Quit any programs that are active.
- ▶ Switch to the service mode.
- ▶ If testing the cleaning function while cleaning is in progress, wear protective clothing, goggles and gloves or take other suitable measures to protect yourself.

Replacing the sensor while ensuring measuring point availability

If an error occurs or the maintenance schedule stipulates that the sensor has to be replaced, use a new sensor, or a sensor that has been precalibrated in the laboratory.

- A sensor is calibrated in the laboratory under optimum external conditions, thereby ensuring better quality of measurement.
 - You must perform onsite calibration if you use a sensor that is not precalibrated.
1. Pay attention to the safety instructions regarding the removal of the sensor that are provided in the Operating Instructions for the sensor.
 2. Remove the sensor that requires maintenance.
 3. Install the new sensor.
 - ↳ The sensor data are automatically accepted by the transmitter. A release code is not required.
Measurement is resumed.
 4. Take the used sensor back to the laboratory.
 - ↳ In the laboratory get the sensor ready for reuse while ensuring the availability of the measuring point.

Prepare the sensor for reuse

1. Clean sensor.
 - ↳ For this purpose, use the cleaning agent specified in the sensor manual.
2. Inspect the sensor for cracks or other damage.
3. If no damage is found, regenerate the sensor. Where necessary, store the sensor in a regeneration solution (→ sensor manual).
4. Recalibrate the sensor for reuse.

13.1.3 Assemblies



Refer to the assembly operating instructions for information on servicing and troubleshooting the assembly. The assembly operating manual describes the procedure for mounting and disassembling the assembly, replacing the sensors and seals, and contains information on the material resistance properties, as well as on spare parts and accessories.

14 Repair

14.1 General notes

The repair and conversion concept provides for the following:

- The product has a modular design
- Spare parts are grouped into kits which include the associated kit instructions
- Only use original spare parts from the manufacturer
- Repairs are carried out by the manufacturer's Service Department or by trained users
- Certified devices can only be converted to other certified device versions by the manufacturer's Service Department or at the factory
- Observe applicable standards, national regulations, Ex documentation (XA) and certificates

1. Carry out the repair according to the kit instructions.
2. Document the repair and conversion and enter, or have entered, in the Life Cycle Management tool (W@M).

14.2 Spare parts

Device spare parts that are currently available for delivery can be found on the website:

<https://portal.endress.com/webapp/SparePartFinder>

- ▶ Quote the serial number of the device when ordering spare parts.

14.3 Return

The product must be returned if repairs or a factory calibration are required, or if the wrong product was ordered or delivered. As an ISO-certified company and also due to legal regulations, Endress+Hauser is obliged to follow certain procedures when handling any returned products that have been in contact with medium.

To ensure the swift, safe and professional return of the device:

- ▶ Refer to the website www.endress.com/support/return-material for information on the procedure and conditions for returning devices.

14.4 Disposal

The device contains electronic components. The product must be disposed of as electronic waste.

- ▶ Observe the local regulations.

Dispose of batteries correctly

- ▶ Always dispose of batteries in accordance with local regulations on battery disposal.

15 Accessories

The following are the most important accessories available at the time this documentation was issued.

Listed accessories are technically compatible with the product in the instructions.

1. Application-specific restrictions of the product combination are possible.
Ensure conformity of the measuring point to the application. This is the responsibility of the operator of the measuring point.
2. Pay attention to the information in the instructions for all products, particularly the technical data.
3. For accessories not listed here, please contact your Service or Sales Center.

15.1 Device-specific accessories

15.1.1 Measuring cables

Memosens data cable CYK10

- For digital sensors with Memosens technology
- Product Configurator on the product page: www.endress.com/cyk10



Technical Information TI00118C

Memosens data cable CYK11

- Extension cable for digital sensors with Memosens protocol
- Product Configurator on the product page: www.endress.com/cyk11



Technical Information TI00118C

15.1.2 Sensors

Glass electrodes

Memosens CPS11E

- pH sensor for standard applications in process and environmental engineering
- Digital with Memosens 2.0 technology
- Product Configurator on the product page: www.endress.com/cps11e



Technical Information TI01493C

Memosens CPS41E

- pH sensor for process technology
- With ceramic junction and KCl liquid electrolyte
- Digital with Memosens 2.0 technology
- Product Configurator on the product page: www.endress.com/cps41e



Technical Information TI01495C

Memosens CPS71E

- pH sensor for chemical process applications
- With ion trap for poison-resistant reference
- Digital with Memosens 2.0 technology
- Product Configurator on the product page: www.endress.com/cps71e



Technical Information TI01496C

Memosens CPS91E

- pH sensor for heavily polluted media
- With open aperture
- Digital with Memosens 2.0 technology
- Product Configurator on the product page: www.endress.com/cps91e



Technical Information TI01497C

Memosens CPS31E

- pH sensor for standard applications in drinking water and swimming pool water
- Digital with Memosens 2.0 technology
- Product Configurator on the product page: www.endress.com/cps31e



Technical Information TI01574C

Memosens CPS61E

- pH sensor for bioreactors in life sciences and for the food industry
- Digital with Memosens 2.0 technology
- Product Configurator on the product page: www.endress.com/cps61e



Technical Information TI01566C

Memosens CPF81E

- pH sensor for mining operations, industrial water and wastewater treatment
- Digital with Memosens 2.0 technology
- Product Configurator on the product page: www.endress.com/cpf81e



Technical Information TI01594C

Enamel pH electrodes**Ceramax CPS341D**

- pH electrode with pH-sensitive enamel
- Meets highest demands of measuring accuracy, pressure, temperature, sterility and durability
- Product Configurator on the product page: www.endress.com/cps341d



Technical Information TI00468C

ORP sensors**Memosens CPS12E**

- ORP sensor for standard applications in process and environmental engineering
- Digital with Memosens 2.0 technology
- Product Configurator on the product page: www.endress.com/cps12e



Technical Information TI01494C

Memosens CPS42E

- ORP sensor for process technology
- Digital with Memosens 2.0 technology
- Product Configurator on the product page: www.endress.com/cps42e



Technical Information TI01575C

Memosens CPS72E

- ORP sensor for chemical process applications
- Digital with Memosens 2.0 technology
- Product Configurator on the product page: www.endress.com/cps72e



Technical Information TI01576C

Memosens CPF82E

- ORP sensor for mining operations, industrial water and wastewater treatment
- Digital with Memosens 2.0 technology
- Product Configurator on the product page: www.endress.com/cpf82e



Technical Information TI01595C

Memosens CPS92E

- ORP sensor for use in heavily polluted media
- Digital with Memosens 2.0 technology
- Product Configurator on the product page: www.endress.com/cps92e



Technical Information TI01577C

Memosens CPS62E

- ORP sensor for hygienic and sterile applications
- Digital with Memosens 2.0 technology
- Product Configurator on the product page: www.endress.com/cps62e



Technical Information TI01604C

pH-ISFET sensors**Memosens CPS47E**

- ISFET sensor for pH measurement
- Digital with Memosens 2.0 technology
- Product Configurator on the product page: www.endress.com/cps47e



Technical Information TI01616C

Memosens CPS77E

- Sterilizable and autoclavable ISFET sensor for pH measurement
- Digital with Memosens 2.0 technology
- Product Configurator on the product page: www.endress.com/cps77e



Technical Information TI01396

Memosens CPS97E

- ISFET sensor for pH measurement
- Digital with Memosens 2.0 technology
- Product Configurator on the product page: www.endress.com/cps97e



Technical Information TI01618C

pH and ORP combined sensors**Memosens CPS16E**

- pH/ORP sensor for standard applications in process technology and environmental engineering
- Digital with Memosens 2.0 technology
- Product Configurator on the product page: www.endress.com/cps16e



Technical Information TI01600C

Memosens CPS76E

- pH/ORP sensor for process technology
- Digital with Memosens 2.0 technology
- Product Configurator on the product page: www.endress.com/cps76e



Technical Information TI01601C

Memosens CPS96E

- pH/ORP sensor for heavily polluted media and suspended solids
- Digital with Memosens 2.0 technology
- Product Configurator on the product page: www.endress.com/cps96e



Technical Information TI01602C

Conductivity sensors with inductive measurement of conductivity**Indumax CLS50D**

- High-durability inductive conductivity sensor
- For standard and hazardous area applications
- With Memosens technology
- Product Configurator on the product page: www.endress.com/cls50d



Technical Information TI00182C

Indumax H CLS54D

- Inductive conductivity sensor
- With certified, hygienic design for foodstuffs, beverages, pharmaceuticals and biotechnology
- Product Configurator on the product page: www.endress.com/cls54d



Technical Information TI00508C

Conductivity sensors with conductive measurement of conductivity**Memosens CLS15E**

- Digital conductivity sensor for measurements in pure and ultrapure water
- Conductive measurement
- With Memosens 2.0
- Product Configurator on the product page: www.endress.com/cls15e



Technical Information TI01526C

Memosens CLS16E

- Digital conductivity sensor for measurements in pure and ultrapure water
- Conductive measurement
- With Memosens 2.0
- Product Configurator on the product page: www.endress.com/cls16e



Technical Information TI01527C

Memosens CLS21E

- Digital conductivity sensor for media with medium or high conductivity
- Conductive measurement
- With Memosens 2.0
- Product Configurator on the product page: www.endress.com/cls21e



Technical Information TI01528C

Memosens CLS82E

- Hygienic conductivity sensor
- Digital with Memosens 2.0 technology
- Product Configurator on the product page: www.endress.com/cls82e



Technical Information TI01529C

Oxygen sensors

Memosens COS22E

- Hygienic amperometric oxygen sensor with maximum measurement stability over multiple sterilization cycles
- Digital with Memosens 2.0 technology
- Product Configurator on the product page: www.endress.com/cos22e



Technical Information TI01619C

Memosens COS51E

- Amperometric oxygen sensor for water, wastewater and utilities
- Digital with Memosens 2.0 technology
- Product Configurator on the product page: www.endress.com/cos51e



Technical Information TI01620C

Oxymax COS61D

- Optical oxygen sensor for drinking water and industrial water measurement
- Measuring principle: quenching
- With Memosens technology
- Product Configurator on the product page: www.endress.com/cos61d



Technical Information TI00387C

Memosens COS81E

- Hygienic optical oxygen sensor with maximum measurement stability over multiple sterilization cycles
- Digital with Memosens 2.0 technology
- Product Configurator on the product page: www.endress.com/cos81e



Technical Information TI01558C

Disinfection sensors

Memosens CCS51D

- Sensor for measuring free available chlorine
- Product Configurator on the product page: www.endress.com/ccs51d



Technical Information TI01423C

Ion-selective sensors

ISEmax CAS40D

- Ion selective sensors
- Product Configurator on the product page: www.endress.com/cas40d



Technical Information TI00491C

Turbidity sensors

Turbimax CUS51D

- For nephelometric measurements of turbidity and solids in wastewater
- 4-beam scattered light method
- With Memosens technology
- Product Configurator on the product page: www.endress.com/cus51d



Technical Information TI00461C

Turbimax CUS52D

- Hygienic Memosens sensor for turbidity measurement in drinking water, process water and in utilities
- With Memosens technology
- Product Configurator on the product page: www.endress.com/cus52d



Technical Information TI01136C

SAC and nitrate sensors**Viomax CAS51D**

- SAC and nitrate measurement in drinking water and wastewater
- With Memosens technology
- Product Configurator on the product page: www.endress.com/cas51d



Technical Information TI00459C

Interface measurement**Turbimax CUS71D**

- Immersion sensor for interface measurement
- Ultrasonic interface sensor
- Product Configurator on the product page: www.endress.com/cus71d



Technical Information TI00490C

Spectrometer sensors**Memosens Wave CAS80E**

- Measurement of various parameters in liquid media
- With Memosens technology
- Product Configurator on the product page: www.endress.com/cas80e



Technical Information TI01522C

Fluorescence sensors**Memosens CFS51**

- Sensor for fluorescence measurement
- With Memosens technology
- Product Configurator on the product page: www.endress.com/cfs51



Technical Information TI01630C

15.2 Communication-specific accessories

Device Care SFE100

- Configuration of Endress+Hauser devices
- Fast and easy installation, online application updates, one-click connection to devices
- Automatic hardware identification and driver catalog update
- Device configuration with DTMs



Technical Information Device Care SFE100, TI01134S

Commubox FXA195

Intrinsically safe HART communication with FieldCare via the USB port



Technical Information TI00404F

Commubox FXA291

Connects the CDI interface of measuring devices with the USB port of the computer or laptop



Technical Information TI00405C

Wireless HART adapter SWA70

- Wireless device connection
- Easily integrated, offers data protection and transmission safety, can be operated in parallel with other wireless networks, minimum cabling complexity



Technical Information TI00061S

Field Data Manager Software MS20/21

- PC software for central data management
- Visualization of series of measurements and logbook events
- SQL database for secure data storage

FieldCare SFE500

- Universal tool for field device configuration and management
- Supplied with a complete library of certified DTMs (Device Type Manager) for operation of Endress+Hauser field devices
- Order according to product order structure
- www.endress.com/sfe500

Memobase Plus CYZ71D

- PC software to support laboratory calibration
- Visualization and documentation of sensor management
- Sensor calibrations stored in database
- Product Configurator on the product page: www.endress.com/cyz71d



Technical Information TI00502C

15.3 Service-specific accessories

15.3.1 Additional functionality

Hardware extension modules**Kit, extension module AOR**

- 2 x relay, 2 x 0/4 to 20 mA analog output
- Order No. 71111053

Kit, extension module 2R

- 2 x relay
- Order No. 71125375

Kit, extension module 4R

- 4 x relay
- Order No. 71125376

Kit, extension module 2AO

- 2 x 0/4 to 20 mA analog output
- Order No. 71135632

Kit, extension module 4AO

- 4 x analog output 0/4 to 20 mA
- Order No. 71135633

Kit, extension module 2DS

- 2 x digital sensor, Memosens
- Order No. 71135631

Kit extension module 2DS Ex-i

- 2 x digital sensor, Memosens, Ex approval
- Order No. 71477718

Kit, extension module 2AI

- 2 x 0/4 to 20 mA analog input
- Order No. 71135639

Kit, extension module DIO

- 2 x digital input
- 2 x digital output
- Auxiliary voltage supply for digital output
- Order No. 71135638

Upgrade kit, extension module 485DP

- Extension module 485DP
- PROFIBUS DP
- Order No. 71575177

Upgrade kit, extension module 485MB

- Extension module 485MB
- Modbus RS485
- Order No. 71575178

Firmware and activation codes**SD card with Liquiline firmware**

- Industrial Flash Drive, 1 GB
- Order No. 71127100



You must quote the serial number of the device when ordering the activation code.

Kit CM442R: activation code for 2nd digital sensor input

Order No. 71114663

Activation code for feedforward control

- Requires current input or fieldbus communication
- Order No. 71211288

Activation code for measuring range switch

- Requires digital inputs or fieldbus communication
- Order No. 71211289

Activation code for ChemocleanPlus

- Requires relays or digital outputs or fieldbus communication and optional digital inputs
- Order No. 71239104

Activation code for Heartbeat Verification and Monitoring

Order No. 71367524

Activation code for mathematics

- Formula editor
- Order No. 71367541

Activation code for Ethernet/IP and web server

Order No. XPC0018

Activation code for Modbus TCP and web server

Order No. XPC0020

Activation code for web server for BASE2

Order No. XPC0021

Activation code for PROFINET and web server Base2

Order No. XPC0022

Activation code for HART

Order No. XPC0023

Activation code for Profibus DP for module 485

Order No. XPC0024

Activation code for module 485 Modbus RS485

Order No. XPC0025

Activation code for Liquiline inputs/outputs

Order No. XPC0026

15.4 System components

RIA14, RIA16

- Field display unit for integration into 4-20 mA circuits
- RIA14 in flameproof metal enclosure



Technical Information TI00143R and TI00144R

RIA15

- Process display unit, Digital display unit for integration into 4-20 mA circuits
- Panel mounting
- With optional HART communication



Technical Information TI01043K

15.5 Other accessories

15.5.1 External display⁵⁾

Graphic display

- For installation in the control cabinet door or panel
- Order number: 71185295

Service display

- Portable, for commissioning
- Order number: 71185296


15.5.2 SD card

- Industrial Flash Drive, 1 GB
- Order number: 71110815

5) The external display can be selected as an option in the product structure or ordered subsequently as an accessory.

16 Technical data

16.1 Input

| | |
|---------------------|---|
| Measured variables | → Documentation of the connected sensor |
| Measuring ranges | → Documentation of the connected sensor |
| Types of input | <ul style="list-style-type: none"> ▪ Digital sensor inputs for sensors with Memosens protocol ▪ Analog current inputs (optional) ▪ Digital inputs (optional) ▪ Digital sensor inputs for intrinsically safe sensors with Memosens protocol and Ex approval (optional) <p>Only the following approved sensors, cables and devices may be connected to the intrinsically safe digital sensor inputs of the sensor communication module 2DS Ex-i:</p> <ul style="list-style-type: none"> ▪ Memosens cable xYK10, xYK20 The connection of the sensor communication module 2DS Ex-i, which is an associated apparatus of CM44xR, with the Memosens cable xYK10 and xYK20 is certified as a system. ▪ Digital Memosens sensors and other Memosens devices <ul style="list-style-type: none"> ▪ Sensors and devices must meet the specified electrical parameters of the CM44xR with the sensor communication module 2DS Ex-i. ▪ Sensors and devices excluding xLS50D must be connected with Memosens cable xYK10 or xYK20 via an inductive interface. ▪ Digital sensor simulator xYP03D Sensor simulator/ Memocheck simulation tester (type xYP03D) must be used with the following batteries: Duracell MN1500 or Energizer EN91. |
| Input signal | <p>Depending on version:</p> <ul style="list-style-type: none"> ▪ Without sensor communication module 2DS Ex-i: max. 8 x binary sensor signal ▪ With sensor communication module 2DS Ex-i: max. 6 x binary sensor signal ▪ 2 x 0/4 to 20 mA (optional), passive, potentially isolated from one another and from the sensor inputs ▪ 0 to 30 V |
| Cable specification | <p>Cable type</p> <ul style="list-style-type: none"> ▪ Without sensor communication module 2DS Ex-i: Memosens data cable CYK10 or sensor fixed cable, each with cable end sleeves or M12 circular plug (optional) ▪ With sensor communication module 2DS Ex-i: Memosens data cable CYK10 or sensor fixed cable, each with cable end sleeves <p> Only Memosens data cables CYK10 with an appropriate approval may be connected to the intrinsically safe digital sensor inputs of the sensor communication module 2DS Ex-i.</p> <p>Cable length</p> <p>Max. 100 m (330 ft)</p> |

16.2 Digital inputs, passive

Electrical specification

- drawing power (passive)
- Galvanically isolated

Span

- High: 11 to 30 V DC
- Low: 0 to 5 V DC

Nominal input current max. 8 mA

PFM function Minimum pulse width: 500 μ s (1 kHz)

Test voltage 500 V

Cable specification Max. 2.5 mm² (14 AWG)

16.3 Current input, passive

Span > 0 to 20 mA

Signal characteristic Linear

Internal resistance Non-linear

Test voltage 500 V

16.4 Output

Output signal

Depending on version:

- 2 x 0/4 to 20 mA, active, galvanically isolated from one another and from the sensor circuits
- 4 x 0/4 to 20 mA, active, galvanically isolated from one another and from the sensor circuits
- 6 x 0/4 to 20 mA, active, galvanically isolated from one another and from the sensor circuits
- 8 x 0/4 to 20 mA, active, galvanically isolated from one another and from the sensor circuits
- Optional HART communication (only via current output 1:1)

| HART | |
|-------------------------------|---------------------------------------|
| Signal encoding | FSK \pm 0.5 mA above current signal |
| Data transmission rate | 1200 baud |
| Galvanic isolation | Yes |
| Load (communication resistor) | 250 Ω |

| PROFIBUS DP/RS485 | |
|--------------------------|--|
| Signal encoding | EIA/TIA-485, PROFIBUS DP-compliant acc. to IEC 61158 |
| Data transmission rate | 9.6 kBd, 19.2 kBd, 45.45kBd, 93.75 kBd, 187.5 kBd, 500 kBd, 1.5 MBd, 6 MBd, 12 MBd |
| Galvanic isolation | Yes |
| Connectors | Spring terminal (max. 1.5 mm), bridged internally (T-function), optional M12 |
| Bus termination | Internal slide switch with LED display |

| Modbus RS485 | |
|------------------------|--|
| Signal encoding | EIA/TIA-485 |
| Data transmission rate | 2,400, 4,800, 9,600, 19,200, 38,400, 57,600 and 115,200 baud |
| Galvanic isolation | Yes |
| Connectors | Spring terminal (max. 1.5 mm), bridged internally (T-function), optional M12 |
| Bus termination | Internal slide switch with LED display |

| Ethernet and Modbus TCP | |
|--------------------------------|--|
| Signal encoding | IEEE 802.3 (Ethernet) |
| Data transmission rate | 10/100 MBd |
| Galvanic isolation | Yes |
| Connection | RJ45 |
| IP address | DHCP (default) or configuration via menu |

| Ethernet/IP | |
|------------------------|--|
| Signal encoding | IEEE 802.3 (Ethernet) |
| Data transmission rate | 10/100 MBd |
| Galvanic isolation | Yes |
| Connection | RJ45 |
| IP address | DHCP (default) or configuration via menu |

| PROFINET | |
|------------------------|--|
| Signal encoding | IEEE 802.3 (Ethernet) |
| Data transmission rate | 100 MBd |
| Galvanic isolation | Yes |
| Connection | RJ45 |
| Name of station | Via DCP protocol by means of configuration tool (e.g. Siemens PRONETA) |
| IP address | Via DCP protocol by means of configuration tool (e.g. Siemens PRONETA) |

| | |
|-----------------|--|
| Signal on alarm | Adjustable, as per NAMUR Recommendation NE 43 <ul style="list-style-type: none"> ■ In measuring range 0 to 20 mA (HART is not available with this measuring range): Failure current from 0 to 23 mA ■ In measuring range 4 to 20 mA: Failure current from 2.4 to 23 mA ■ Factory setting for failure current for both measuring ranges: 21.5 mA |
|-----------------|--|

| | |
|------|------------|
| Load | Max. 500 Ω |
|------|------------|

| | |
|-------------------------------------|--------|
| Linearization/transmission behavior | Linear |
|-------------------------------------|--------|

16.5 Digital outputs, passive

| | |
|--------------------------|---|
| Electrical specification | <ul style="list-style-type: none"> ■ Passive ■ Open collector, max. 30 V, 15 mA ■ Maximum voltage drop 3 V |
|--------------------------|---|

| | |
|-----------------------|---|
| External power supply | When using an onsite auxiliary voltage supply and an onsite digital input: Recommended minimum auxiliary voltage = 3 V + V_{IHmin} (V_{IHmin} = minimum input voltage required (high-level input voltage)) |
|-----------------------|---|

| | |
|--------------|-------------------------------------|
| PFM function | Minimum pulse width: 500 μs (1 kHz) |
|--------------|-------------------------------------|

| | |
|-------------------|--|
| Auxiliary voltage | Electrical specification <ul style="list-style-type: none"> ■ Galvanically isolated ■ Unregulated, 24 V DC ■ Max. 50 mA (per DIO module) |
|-------------------|--|

| | |
|--------------|-------|
| Test voltage | 500 V |
|--------------|-------|

| | |
|---------------------|-----------------------------------|
| Cable specification | Max. 2.5 mm ² (14 AWG) |
|---------------------|-----------------------------------|

16.6 Current outputs, active

| | |
|------|---|
| Span | 0 to 23 mA 2.4 to 23 mA for HART communication |
|------|---|

| | |
|-----------------------|--------|
| Signal characteristic | Linear |
|-----------------------|--------|

| | |
|--------------------------|--|
| Electrical specification | Output voltage Max. 24 V Test voltage 500 V |
|--------------------------|--|

Cable specification

Cable type

Recommended: shielded cable

Cable specificationMax. 2.5 mm² (14 AWG)

16.7 Relay outputs

Electrical specification

Relay types

- 1 single-pin changeover contact (alarm relay)
- 2 or 4 single-pin changeover contacts (optional with extension modules)

Maximum load

- Alarm relay: 0.5 A
- All other relays: 2.0 A

Relay switching capacity*Base module (Alarm relay)*

| Switching voltage | Load (max.) | Switching cycles (min.) |
|---------------------------|-------------|-------------------------|
| 230 V AC, cosΦ = 0.8 to 1 | 0.1 A | 700,000 |
| | 0.5 A | 450,000 |
| 115 V AC, cosΦ = 0.8 to 1 | 0.1 A | 1,000,000 |
| | 0.5 A | 650,000 |
| 24 V DC, L/R = 0 to 1 ms | 0.1 A | 500,000 |
| | 0.5 A | 350,000 |

Extension modules

| Switching voltage | Load (max.) | Switching cycles (min.) |
|---------------------------|-------------|-------------------------|
| 230 V AC, cosΦ = 0.8 to 1 | 0.1 A | 700,000 |
| | 0.5 A | 450,000 |
| | 2 A | 120,000 |
| 115 V AC, cosΦ = 0.8 to 1 | 0.1 A | 1,000,000 |
| | 0.5 A | 650,000 |
| | 2 A | 170,000 |
| 24 V DC, L/R = 0 to 1 ms | 0.1 A | 500,000 |
| | 0.5 A | 350,000 |
| | 2 A | 150,000 |

Cable specification

Max. 2.5 mm² (14 AWG)

16.8 Protocol-specific data

| | | |
|------|-----------------------------------|--|
| HART | Manufacturer ID | 11 _h |
| | Device type | 155D _h |
| | Device revision | 001 _h |
| | HART version | 7.2 |
| | Device description files (DD/DTM) | www.endress.com/hart Device Integration Manager DIM |
| | Device variables | 16 user-definable and 16 predefined device variables, dynamic variables PV, SV, TV, QV |
| | Supported features | PDM DD, AMS DD, DTM, Field Xpert DD |

| | | |
|-------------|-----------------------------------|---|
| PROFIBUS DP | Manufacturer ID | 11 _h |
| | Device type | 155D _h |
| | Profile version | 3.02 |
| | Device database files (GSD files) | www.endress.com/profibus Device Integration Manager DIM |
| | Output variables | 16 AI blocks, 8 DI blocks |
| | Input variables | 4 AO blocks, 8 DO blocks |
| | Supported features | <ul style="list-style-type: none"> ▪ 1 MSCYO connection (cyclical communication, master class 1 to slave) ▪ 1 MSAC1 connection (acyclical communication, master class 1 to slave) ▪ 2 MSAC2 connections (acyclical communication, master class 2 to slave) ▪ Device lock: The device can be locked using the hardware or software. ▪ Addressing using DIL switches or software ▪ GSD, PDM DD, DTM |

| | | |
|--------------|--------------------------------------|---|
| Modbus RS485 | Protocol | RTU/ASCII |
| | Function codes | 03, 04, 06, 08, 16, 23 |
| | Broadcast support for function codes | 06, 16, 23 |
| | Output data | 16 measured values (value, unit, status), 8 digital values (value, status) |
| | Input data | 4 setpoints (value, unit, status), 8 digital values (value, status), diagnostic information |
| | Supported features | Address can be configured using switch or software |

| | | |
|------------|--------------------------------------|--|
| Modbus TCP | TCP port | 502 |
| | TCP connections | 3 |
| | Protocol | TCP |
| | Function codes | 03, 04, 06, 08, 16, 23 |
| | Broadcast support for function codes | 06, 16, 23 |
| | Output data | 16 measured values (value, unit, status), 8 digital values (value, status) |

| | |
|--------------------|---|
| Input data | 4 setpoints (value, unit, status), 8 digital values (value, status), diagnostic information |
| Supported features | Address can be configured using DHCP or software |

Ethernet/IP

| | | |
|--------------------|-------------------------------------|--|
| Log | EtherNet/IP | |
| ODVA certification | Yes | |
| Device profile | Generic device (product type: 0x2B) | |
| Manufacturer ID | 0x049E _h | |
| Device type ID | 0x109C _h | |
| Polarity | Auto-MIDI-X | |
| Connections | CIP | 12 |
| | I/O | 6 |
| | Explicit message | 6 |
| | Multicast | 3 consumers |
| Minimum RPI | 100 ms (default) | |
| Maximum RPI | 10000 ms | |
| System integration | EtherNet/IP | EDS |
| | Rockwell | Add-on-Profile Level 3, Faceplate for Factory Talk SE |
| IO data | Input (T → O) | Device status and diagnostic message with highest priority Measured values: <ul style="list-style-type: none"> ▪ 16 AI (analog input) + Status + Unit ▪ 8 DI (discrete input) + Status |
| | Output (O → T) | Actuating values: <ul style="list-style-type: none"> ▪ 4 AO (analog output) + status + unit ▪ 8 DO (discrete output) + Status |

PROFINET

| | |
|--|--|
| Protocol | "Application layer protocol for decentral device periphery and distributed automation", PNIO Version 2.34 |
| Communication type | 100 MBit/s |
| Conformance Class | Conformance Class B |
| Netload Class | Netload Class II |
| Baud rate | Automatic 100 Mbps with full-duplex detection |
| Cycle times | From 32 ms |
| Device profile | Application interface identifier 0xF600 Generic device |
| PROFINET interface | 1 port, Realtime Class 1 (RT_CLASS_1) |
| Manufacturer ID | 0x11 _h |
| Device type ID | 0x859C D _h |
| Device description files (GSD) | Information and files under: <ul style="list-style-type: none"> ▪ www.endress.com On the product page for the device: Documents/Software → Device drivers ▪ www.profibus.com On the website under Products/Product Finder |
| Polarity | Auto-polarity for automatic correction of crossed TxD and RxD pairs |
| Supported connections | <ul style="list-style-type: none"> ▪ 1 x AR (IO Controller AR) ▪ 1 x AR (IO-Supervisor Device AR connection allowed) ▪ 1 x Input CR (Communication Relation) ▪ 1 x Output CR (Communication Relation) ▪ 1 x Alarm CR (Communication Relation) |
| Configuration options for measuring device | <ul style="list-style-type: none"> ▪ Web browser ▪ Manufacturer-specific software (FieldCare, DeviceCare) ▪ Device master file (GSD), can be read out via the integrated web server of the measuring device |
| Configuration of the device name | DCP protocol |
| Supported functions | <ul style="list-style-type: none"> ▪ Identification & maintenance Simple device identification via: <ul style="list-style-type: none"> ▪ Process control system ▪ Nameplate ▪ Measured value status The process variables are communicated with a measured value status ▪ Blinking feature (FLASH_ONCE) via the local display for simple device identification and assignment ▪ Device operation via operating tools (e.g. FieldCare, DeviceCare) |
| System integration | For information on system integration, see the Operating Instructions <ul style="list-style-type: none"> ▪ Cyclic data transmission ▪ Overview and description of the modules ▪ Status coding ▪ Startup configuration ▪ Factory setting |

Web server The web server enables full access to the device configuration, measured values, diagnostic messages, logbooks and service data via standard WiFi/WLAN/LAN/GSM or 3G routers with a user-defined IP address.

| | |
|--------------------|---|
| TCP port | 80 |
| Supported features | <ul style="list-style-type: none"> ■ Remote-controlled device configuration(1 session) ■ Save/restore device configuration (via SD card) ■ Logbook export (file formats: CSV, FDM) ■ Access to web server via DTM or Internet Explorer ■ Login ■ Web server can be switched off |

16.9 Energy supply

| | |
|---|--|
| Supply voltage | <p>CM442 R Depending on version:</p> <ul style="list-style-type: none"> ■ 100 to 230 V AC, 50/60 Hz Maximum permitted fluctuation of mains supply voltage: $\pm 15\%$ of nominal voltage ■ 24 V AC/DC, 50/60 Hz Maximum permitted fluctuation of mains supply voltage: $+20/-15\%$ of nominal voltage <p>CM444 R and CM448 R Depending on the version, via external DIN rail power unit:</p> <ul style="list-style-type: none"> ■ 100 to 230 V AC, 50/60 Hz Maximum permitted fluctuation of mains supply voltage: $\pm 15\%$ of nominal voltage⁶⁾ ■ 24 V DC Maximum permitted fluctuation of mains supply voltage: $+20/-15\%$ of nominal voltage⁶⁾ |
| Power consumption | <p>CM442 R Depending on supply voltage</p> <ul style="list-style-type: none"> ■ 100 to 230 V AC and 24 V AC: Max. 55 VA ■ 24 V DC: Max. 22 W <p>CM444 R and CM448 R Depending on supply voltage</p> <ul style="list-style-type: none"> ■ 100 to 230 V AC: Max. 150 VA⁶⁾ ■ 24 V DC: Max. 59 W⁶⁾ |
| Fuse | Fuse not exchangeable |
| Surge arrester | Integrated overvoltage/lightning protection as per EN 61326-1/-2 Protection category 1 and 3 |
| Cable specification for optional display cable | Length of display cable provided: 3 m (10 ft) |

6) *Specifications only apply if used with power unit supplied by manufacturer.

Maximum permitted length of a display cable:
5 m (16.5 ft)

16.10 Performance characteristics

| | |
|---------------|--|
| Response time | <p>Current outputs t_{90} = max. 500 ms for an increase from 0 to 20 mA</p> <p>Current inputs t_{90} = max. 330 ms for an increase from 0 to 20 mA</p> <p>Digital inputs and outputs t_{90} = max. 330 ms for an increase from low to high</p> |
|---------------|--|

| | |
|-----------------------|---------------|
| Reference temperature | 25 °C (77 °F) |
|-----------------------|---------------|

| | |
|-------------------------------------|---|
| Measurement error for sensor inputs | → Documentation of the connected sensor |
|-------------------------------------|---|

| | |
|--|--|
| Measurement error for current inputs and outputs | <p>Typical measured errors: < 20 μA (with current values < 4 mA) < 50 μA (with current values 4 to 20 mA) at 25 °C (77 °F) each</p> <p>Additional measured error depending on the temperature: < 1.5 μA/K</p> |
|--|--|

| | |
|---|------------|
| Frequency tolerance of digital inputs and outputs | $\leq 1\%$ |
|---|------------|

| | |
|--|-------------|
| Resolution of current inputs and outputs | < 5 μ A |
|--|-------------|

| | |
|---------------|---|
| Repeatability | → Documentation of the connected sensor |
|---------------|---|

16.11 Environment

| | |
|---------------------|--|
| Ambient temperature | <p>CM442R</p> <ul style="list-style-type: none"> ▪ 0 to 60 °C (32 to 140 °F) ▪ 0 to 50 °C (32 to 122 °F) for the following devices: <ul style="list-style-type: none"> ▪ CM442R-BM ▪ CM442R-IE ▪ CM442R-CL ▪ CM442R-UM |
|---------------------|--|

CM444R

- Generally 0 to 55 °C (32 to 131 °F), with the exception of packages under the second point in the list
- 0 to 50 °C (32 to 122 °F) for the following packages:
 - CM444R-**M40A7FI*+...
 - CM444R-**M40A7FK*+...
 - CM444R-**M4AA5F4*+...
 - CM444R-**M4AA5FF*+...
 - CM444R-**M4AA5FH*+...
 - CM444R-**M4AA5FI*+...
 - CM444R-**M4AA5FK*+...
 - CM444R-**M4AA5FM*+...
 - CM444R-**M4BA5F4*+...
 - CM444R-**M4BA5FF*+...
 - CM444R-**M4BA5FH*+...
 - CM444R-**M4BA5FI*+...
 - CM444R-**M4BA5FK*+...
 - CM444R-**M4BA5FM*+...
 - CM444R-**M4DA5F4*+...
 - CM444R-**M4DA5FF*+...
 - CM444R-**M4DA5FH*+...
 - CM444R-**M4DA5FI*+...
 - CM444R-**M4DA5FK*+...
 - CM444R-**M4DA5FM*+...
 - CM444R-BM
 - CM444R-IE
 - CM444R-CL
 - CM444R-UM
 - CM444R-CD

CM448R

- Generally 0 to 55 °C (32 to 131 °F), with the exception of packages under the second point in the list
- 0 to 50 °C (32 to 122 °F) for the following packages:
 - CM448R-***6AA*+...
 - CM448R-***8A4*+...
 - CM448R-***8A5*+...
 - CM448R-**28A3*+...
 - CM448R-**38A3*+...
 - CM448R-**48A3*+...
 - CM448R-**58A3*+...
 - CM448R-**68A3*+...
 - CM448R-**26A5*+...
 - CM448R-**36A5*+...
 - CM448R-**46A5*+...
 - CM448R-**56A5*+...
 - CM448R-**66A5*+...
 - CM448R-**22A7*+...
 - CM448R-**32A7*+...
 - CM448R-**42A7*+...
 - CM448R-**52A7*+...
 - CM448R-**62A7*+...
 - CM448R-**A6A5*+...
 - CM448R-**A6A7*+...
 - CM448R-**B6A5*+...
 - CM448R-**B6A7*+...
 - CM448R-**C6A5*+...
 - CM448R-**C6A7*+...
 - CM448R-**D6A5*+...
 - CM448R-**D6A7*+...
 - CM448R-BM
 - CM448R-IE
 - CM448R-CL
 - CM448R-UM
 - CM448R-CD

External display (optional)
 -20 to 60 °C (-4 to 140 °F)

Storage temperature -25 to 85 °C (-13 to 185 °F)

Relative humidity **DIN rail device**
 5 to 85%, not condensing

External display (in installed state)
 10 to 95%, not condensing

Degree of protection **DIN rail device**
 IP20

External display
 IP66 front-panel, when installed correctly including seal for housing door

Climate class As per IEC 60654-1: B2

| | |
|----------------------|--|
| Vibration resistance | Environmental tests Vibration test according to DIN EN 60068-2 Vibration test according to DIN EN 60654-3 |
| | Wall mounting Frequency range 10 to 150 Hz (sinusoidal) Amplitude 10 to 12.9 Hz: 0.75 mm 12.9 to 150 Hz: 0.5 g ¹⁾ Test duration 10 frequency cycles/ spatial axis, in 3 spatial axes (1 oct./min) 1) g ... acceleration due to gravity (1 g ≈ 9.81 m/s ²) |

| | |
|-------------------------------|---|
| Electromagnetic compatibility | Interference emission and interference immunity as per EN 61326-1, class A for industrial areas |
|-------------------------------|---|

| | |
|-------------------|--|
| Electrical safety | IEC 61010-1, Class I equipment Low voltage: overvoltage category II Environment < 2000 m (< 6562 ft) above MSL |
|-------------------|--|

| | |
|------------------|--|
| Pollution degree | DIN rail device Pollution level 2 |
| | Optional display Pollution level 2 |

16.12 Mechanical construction

| | |
|------------|--|
| Dimensions | →  16 |
|------------|--|

| | | |
|--------------------------------------|---|----------------------------|
| Weight | depending on the version: | |
| | CM442R (fully configured) | Approx. 0.45 kg (1 lbs) |
| | CM444R and CM448R (fully configured) | Approx. 0.95 kg (2.1 lbs) |
| | Individual module | Approx. 0.06 kg (0.13 lbs) |
| | External display (excluding cables) | Approx. 0.56 kg (1.2 lbs) |
| | Service display cover | 0.46 kg (1 lbs) |
| External power unit (CM444R, CM448R) | 0.27 to 0.42 kg (0.60 to 0.92 lbs), depending on the power unit variant | |

Materials

| | |
|---|----------------------------------|
| DIN rail housing | PC-FR |
| Display cover | PC-FR |
| Display seal | EPDM |
| Soft keys | EPDM |
| Module housing 2DS Ex-i | PC-PBT |
| Module covers | PBT GF30 FR |
| Terminal strip | Nickel-plated brass |
| Ground terminals | Stainless steel 1.4301 (AISI304) |
| Screws | Stainless steel 1.4301 (AISI304) |
| Mounting plate (optional display) | Stainless steel 1.4301 (AISI304) |
| Securing screws (optional display) | Steel, galvanized |
| Cover for service display (accessories) | EPDM |

Index

A

| | |
|----------------------------------|-----|
| Accessories | |
| Additional functionality | 146 |
| Communication-specific | 145 |
| Firmware and activation codes | 147 |
| Hardware extension modules | 146 |
| Measuring cables | 140 |
| Miscellaneous | 148 |
| Sensors | 140 |
| Activation code | 65 |
| Adapting the diagnostic behavior | 119 |
| Additional functions | |
| Cleaning programs | 97 |
| Controller | 90 |
| Limit switch | 83 |
| Mathematical functions | 102 |
| Measuring range switching | 112 |
| Time switch | 87 |
| Alarm relay | 70 |
| Ambient temperature | 158 |
| Assignment views | 53 |

B

| | |
|-----------------|----|
| Basic settings | 53 |
| Basic setup | 50 |
| Bus termination | 37 |

C

| | |
|---|---------------|
| Cable specification | 149, 150, 157 |
| Cable terminals | 25 |
| Calculated pH value | 106 |
| Calibration | 116 |
| Cation exchanger capacity | 106 |
| Change password | 66 |
| Check | |
| Connection | 39 |
| Installation and function | 48 |
| Mounting | 23 |
| Chemoclean | 34, 98 |
| Chemoclean Plus | 99 |
| Chlorine control with feedforward control | 78 |
| Cleaning cycle | 101 |
| Cleaning function | 74 |
| Cleaning programs | |
| Chemoclean | 98 |
| Chemoclean Plus | 99 |
| Manual cleaning | 102 |
| Standard cleaning | 98 |
| Cleaning unit | 34 |
| Climate class | 160 |
| Combined chlorine | 108 |
| Commissioning | 48 |
| Configuration | |
| Binary inputs | 80 |
| Binary outputs | 81 |

Configure

| | |
|-------------------|----|
| Actions | 46 |
| Numerical values | 46 |
| Picklists | 46 |
| Tables | 47 |
| User-defined text | 47 |

Configuring

| | |
|------------------------|----|
| Display behavior | 49 |
| Operating language | 48 |
| User definable screens | 49 |

Connection

| | |
|---------------------------------|--------|
| Check | 39 |
| Fieldbus (PROFIBUS, Modbus 485) | 35 |
| Functional ground | 29 |
| Measuring device | 24 |
| Optional modules | 31 |
| Sensors | 28 |
| Supply voltage | 157 |
| Web server | 40, 42 |

Controller 71, 90

Controller structure 90

Current inputs 67

Current outputs 67

D

| | |
|-------------------------------------|-----|
| Data management | 64 |
| Date | 54 |
| Degassed conductivity | 104 |
| Degree of protection | 160 |
| Device description | 10 |
| Device information | 131 |
| Device status | 53 |
| Device test | 129 |
| Device variables | 75 |
| Device-specific diagnostic messages | 120 |
| Device-specific errors | 117 |
| Diagnostic messages | |
| Adapting | 118 |
| Classification | 118 |
| Device-specific | 120 |
| Fieldbus | 118 |
| Local display | 118 |
| Outputting via the relay | 73 |
| Pending | 125 |
| Sensor-specific | 124 |
| Web browser | 118 |
| Diagnostic modules | 114 |
| Diagnostics list | 125 |
| Dimensions | 161 |
| Display | 51 |
| Display behavior | 49 |
| Display cable | 19 |
| Disposal | 139 |
| Documentation | 6 |
| Dual conductivity | 105 |

E

| | |
|--|-------------|
| Electrical safety | 161 |
| Electromagnetic compatibility | 161 |
| Energy supply | 157 |
| Cable specification | 157 |
| Connecting the fieldbus (PROFIBUS, Modbus 485) | 35 |
| Connecting the measuring device | 24 |
| Fuse | 157 |
| Power consumption | 157 |
| Sensor connection | 28 |
| Supply voltage | 157 |
| Surge arrester | 157 |
| Ensuring the degree of protection | 38 |
| Ethernet/IP | 62, 76, 155 |
| EtherNet/IP | 43 |
| Event logbook | 125 |
| Exporting the setup | 65 |
| Extended setup | 59 |

F

| | |
|-----------------------------|-----|
| Fieldbus | |
| Termination | 37 |
| Firmware history | 134 |
| Firmware update | 64 |
| Formula | 109 |
| Function check | 48 |
| Functional ground | 29 |
| Fuse | 157 |

H

| | |
|----------------------------------|-------------|
| Hardware settings | 37 |
| HART | 43, 75, 154 |
| HART bus address | 60 |
| Heartbeat | 41 |
| Heartbeat diagnostics | 51 |
| Heartbeat verification | 129 |
| Hold settings | 55 |

I

| | |
|------------------------------------|-----|
| Identifying the product | 14 |
| Incoming acceptance | 14 |
| Input | |
| Current input, passive | 150 |
| Digital inputs, passive | 150 |
| Measured variables | 149 |
| Input signal | 149 |
| Inputs | |
| Binary | 77 |
| Current inputs | 67 |
| Installation check | 48 |
| Installation environment | 8 |
| Intended use | 7 |

L

| | |
|----------------------------------|---------|
| Laplace representation | 90 |
| Limit switch | 71, 83 |
| Loading the setup | 64 |
| Logbooks | 55, 126 |

M

| | |
|-------------------------------------|------------|
| Maintenance | 137 |
| Manipulated variable | 71 |
| Materials | 162 |
| Mathematical functions | 102 |
| Calculated pH value | 106 |
| Cation exchanger capacity | 106 |
| Combined chlorine | 108 |
| Degassed conductivity | 104 |
| Difference | 102 |
| Dual conductivity | 105 |
| Formula | 109 |
| Redundancy | 103 |
| rH value | 104 |
| Measured variables | 149 |
| Measuring mode | 51 |
| Measuring range switching | 112 |
| Measuring ranges | 149 |
| Modbus | 43, 60, 76 |
| Modbus 485 | |
| Connection | 35 |
| Modbus RS485 | 154 |
| Modbus TCP | 154 |
| Mounting | |
| Check | 23 |
| Mounting requirements | 16 |

N

| | |
|---------------------|----|
| Nameplate | 14 |
|---------------------|----|

O

| | |
|------------------------------------|-----|
| Operating language | 48 |
| Operation | |
| Configure | 46 |
| Display | 51 |
| General settings | 53 |
| Operational safety | 8 |
| Output | |
| Current outputs, active | 152 |
| Digital outputs, passive | 152 |
| Output signal | 150 |
| Relay outputs | 153 |
| Outputs | |
| Binary | 77 |
| Current outputs | 67 |
| Ethernet/IP | 76 |
| HART | 75 |
| Modbus | 76 |
| PROFIBUS DP | 75 |
| PROFINET | 75 |
| Relay | 70 |

P

| | |
|---|-----|
| Pollution degree | 161 |
| Power consumption | 157 |
| Power supply | |
| Connecting optional modules | 31 |
| Power-up | 48 |
| Process errors without messages | 117 |

- Product safety 9
- PROFIBUS
 Connection 35
- PROFIBUS DP 43, 60, 154
 Device variables 75
 PROFIBUS variables 76
- PROFINET 43, 156
 Device variables 75
 PROFINET variables 76
- Protocol-specific data 154
- R**
- Relative humidity 160
- Relay 70
- Remote operation 24
- Repair 139
- Requirements of the personnel 7
- Resetting the measuring device 130
- Return 139
- rH value 104
- S**
- Safety
 IT 9
 Operation 8
 Product 9
 Workplace safety 8
- Safety instructions 7
- Saving the setup 64
- Scope of delivery 15
- Sensor
 Connection 28
- Sensor information 133
- Sensor-specific diagnostic messages 124
- Service interface 42
- Settings
 Diagnosis 59
 Ethernet/IP 62
 Extended 59
 General 53
 Hardware 37
 HART bus address 60
 Modbus 60
 PROFIBUS DP 60
 PROFINET 62
 Web server 61
- Setup
 Basic 50
- Simulation 128
- Slot and port assignment 12
- Soft keys in measuring mode 51
- Spare parts 139
- Standard cleaning 98
- State-of-the-art 9
- Storage temperature 160
- Supply voltage 157
- Surge arrester 157
- Symbols 5
- System information 131
- System integration
 Fieldbus 43
 Service interface 42
 Web server 40
- T**
- Technical data
 Current input, passive 150
 Current outputs, active 152
 Digital inputs, passive 150
 Digital outputs, passive 152
 Environment 158
 Input 149
 Mechanical construction 161
 Output 150
 Performance characteristics 158
 Protocol-specific data 154
 Relay outputs 153
- Technical personnel 7
- Terminal diagram 13
- Time 54
- Time switch 87
- Troubleshooting 117
 Diagnostic information 118
 General troubleshooting 117
- Types of cleaning 98
- Types of input 149
- U**
- Use
 Intended 7
 Non-intended 7
- User definable screens 49
- V**
- Vibration resistance 161
- W**
- Warnings 5
- Web server 61, 157
- Weight 161
- Workplace safety 8



71700542

www.addresses.endress.com
