

Technical Information

Micropilot FMR53, FMR54

Free-space radar

Level measurement in liquids



Application

- Continuous, non-contact level measurement of liquids, pastes and sludges
- Horn or planar antenna (FMR54); rod antenna (FMR53)
- Maximum measuring range: 20 m (66 ft);
For FMR54 with planar antenna in stilling well: 38 m (125 ft)
- Process temperature: -196 to +400 °C (-321 to +752 °F)
- Process pressure: -1 to +160 bar (-14.5 to +2 320 psi)
- Accuracy: ± 6 mm
- International explosion protection certificates; WHG; marine approvals
- Linearity protocol (3-point, 5-point)

Your benefits

- Reliable measurement even for changing product and process conditions
- HistoROM data management for easy commissioning, maintenance and diagnostics
- Highest reliability due to Multi-Echo Tracking
- SIL2 according to IEC 61508, SIL3 in case of homogeneous or heterogeneous redundancy
- Seamless integration into control or asset management systems
- Intuitive user interface in national languages
- *Bluetooth*® wireless technology for commissioning, operation and maintenance via free iOS / Android app SmartBlue
- Easy proof test for SIL and WHG
- Heartbeat Technology™

Table of contents

Important document information	4	Environment	49
Document function	4	Temperature range	49
Symbols used	4	Temperature limit	49
Terms and abbreviations	5	Storage temperature	58
Registered trademarks	6	Climate class	58
Function and system design	7	Altitude according to IEC61010-1 Ed.3	59
Measuring principle	7	Degree of protection	59
Input	9	Vibration resistance	59
Measured variable	9	Cleaning the antenna	59
Measuring range	9	Electromagnetic compatibility (EMC)	59
Operating frequency	12	Process	60
Transmission power	12	Process temperature, process pressure	60
Output	13	Mechanical construction	62
Output signal	13	Dimensions	62
Signal on alarm	14	Weight	67
Linearization	14	Materials: Housing GT18 (stainless steel, corrosion-resistant)	68
Galvanic isolation	14	Materials: GT19 housing (plastic)	69
Protocol-specific data	14	Materials: GT20 housing (die-cast aluminum, powder-coated)	70
Power supply	19	Materials: antenna and process connection	71
Terminal assignment	19	Materials: Weather protection cover	74
Device plugs	27	Operability	75
Supply voltage	28	Operating concept	75
Power consumption	30	Local operation	76
Current consumption	30	Operation with remote display and operating module	
Power supply failure	31	FHX50	76
Potential equalization	31	Operation via Bluetooth® wireless technology	77
Terminals	31	Remote operation	78
Cable entries	31	Integration in tank gauging system	81
Cable specification	31	SupplyCare inventory management software	82
Overvoltage protection	32	Certificates and approvals	85
Performance characteristics	33	CE mark	85
Reference operating conditions	33	RoHS	85
Maximum measured error	33	RCM-Tick marking	85
Measured value resolution	33	Ex approval	85
Response time	33	Dual seal according to ANSI/ISA 12.27.01	85
Influence of ambient temperature	33	Functional safety	85
Influence of gas phase	33	WHG	85
Gas phase compensation with external pressure sensor (PROFIBUS PA, FOUNDATION Fieldbus)	34	Sanitary compatibility	85
Installation	35	NACE MR 0175 / ISO 15156	85
Installation conditions	35	NACE MR 0103	85
Measuring conditions	38	Pressure equipment with allowable pressure	
Mounting cladded flanges	39	≤ 200 bar (2 900 psi)	86
Free-space installation in vessel	40	Marine approval	86
Installation in stilling well	43	FCC	86
Installation in the bypass	46	Industry Canada	86
Container with heat insulation	48	Japanese radio approval	86
		CRN approval	86
		Test, certificate	88
		Hard-copy product documentation	88
		Other standards and guidelines	89

Ordering information	90
Ordering information	90
3-point linearity protocol	91
5-point linearity protocol	92
Customer-specific configuration	93
Tagging (TAG)	93
Services	93
Application packages	94
Heartbeat Diagnostics	94
Heartbeat Verification	95
Heartbeat Monitoring	96
Accessories	97
Device-specific accessories	97
Communication-specific accessories	102
Service-specific accessories	103
System components	103
Supplementary documentation	103
Brief Operating Instructions (KA)	103
Operating Instructions (BA)	103
Safety Instructions (XA)	103

Important document information

Document function

These Operating Instructions provide all of the information that is required in various phases of the life cycle of the device including:

- Product identification
- Incoming acceptance
- Storage
- Installation
- Connection
- Operation
- Commissioning
- Troubleshooting
- Maintenance
- Disposal

Symbols used

Safety symbols



This symbol alerts you to a dangerous situation. Failure to avoid this situation will result in serious or fatal injury.



This symbol alerts you to a dangerous situation. Failure to avoid this situation can result in serious or fatal injury.



This symbol alerts you to a dangerous situation. Failure to avoid this situation can result in minor or medium injury.



This symbol contains information on procedures and other facts which do not result in personal injury.

Electrical symbols



Direct current



Alternating current



Direct current and alternating current



Ground connection

A grounded terminal which, as far as the operator is concerned, is grounded via a grounding system.



Protective earth (PE)

Ground terminals that must be connected to ground prior to establishing any other connections. The ground terminals are located on the inside and outside of the device.

- Interior ground terminal; protective earth is connected to the mains supply.
- Exterior ground terminal; device is connected to the plant grounding system.

Symbols for certain types of information and graphics



Procedures, processes or actions that are permitted



Procedures, processes or actions that are preferred



Procedures, processes or actions that are forbidden



Indicates additional information



Reference to graphic


▶
Notice or individual step to be observed


1, 2, 3
Series of steps

↳
Result of a step

1, 2, 3, ...
Item numbers

A, B, C, ...
Views

 **Hazardous area**
Indicates the hazardous area

 **Safe area (non-hazardous area)**
Indicates the non-hazardous area

Terms and abbreviations

BA
Document type "Operating Instructions"

KA
Document type "Brief Operating Instructions"

SD
Document type "Special Documentation"

XA
Document type "Safety Instructions"

PN
Nominal pressure

MWP
Maximum working pressure
The maximum working pressure is indicated on the nameplate.

FieldCare
Scalable software tool for device configuration and integrated plant asset management solutions

DeviceCare
Universal configuration software for Endress+Hauser HART, PROFIBUS, FOUNDATION Fieldbus and Ethernet field devices

DTM
Device Type Manager

DD
Device Description for HART communication protocol

ϵ_r (**Dk value**)
Relative dielectric constant

PLC
Programmable logic controller (PLC)

CDI
Common Data Interface

Operating tool
The term "operating tool" is used in place of the following operating software:
■ FieldCare / DeviceCare, for operation via HART communication and PC
■ SmartBlue (app), for operation using an Android or iOS smartphone or tablet

MBP
Manchester Bus Powered

PDU
Protocol Data Unit

Registered trademarks

HART®

Registered trademark of the FieldComm Group, Austin, Texas, USA

PROFIBUS®

Registered trademark of the PROFIBUS User Organization, Karlsruhe, Germany

FOUNDATION™ Fieldbus

Registration-pending trademark of the FieldComm Group, Austin, Texas, USA

Modbus®

Registered trademark of SCHNEIDER AUTOMATION, INC.

Bluetooth®

The *Bluetooth*® word mark and logos are registered trademarks owned by the Bluetooth SIG, Inc. and any use of such marks by Endress+Hauser is under license. Other trademarks and trade names are those of their respective owners.

Apple®

Apple, the Apple logo, iPhone, and iPod touch are trademarks of Apple Inc., registered in the U.S. and other countries. App Store is a service mark of Apple Inc.

Android®

Android, Google Play and the Google Play logo are trademarks of Google Inc.

KALREZ®, VITON®

Registered trademarks of DuPont Performance Elastomers L.L.C., Wilmington, DE USA

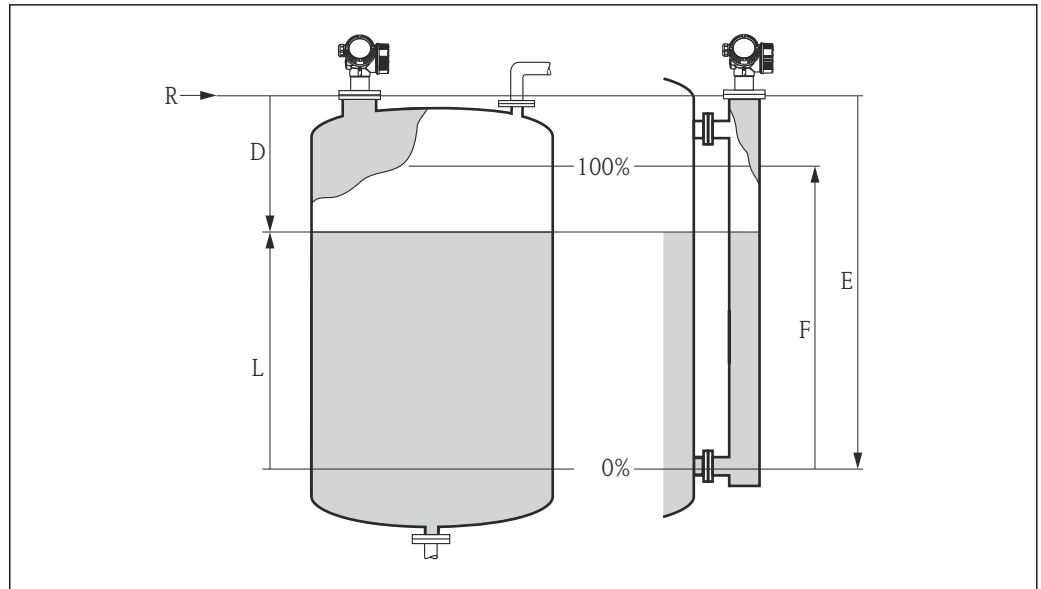
TRI-CLAMP®

Registered trademark of Ladish & Co., Inc., Kenosha, USA

Function and system design

Measuring principle

The Micropilot is a "downward-looking" measuring system, operating based on the time-of-flight method (ToF). It measures the distance from the reference point R (process connection of the measuring device) to the product surface. Radar pulses are emitted by an antenna, reflected off the product surface and received again by the radar system.



A0017871

1 Setup parameters of the Micropilot

- R Reference point of the measurement (lower edge of the flange or threaded connection)
- E Empty calibration (= zero)
- F Full calibration (= span)
- D Measured distance
- L Level ($L = E - D$)

Input

The reflected radar impulses are received by the antenna and transmitted into the electronics. A microprocessor evaluates the signals and identifies the level echo caused by the reflection of the radar pulses at the product surface. The unambiguous signal identification is accomplished by the PulseMaster® eXact software together with the Multi-echo tracking algorithms, based on over 30 years of experience with time-of-flight technology.

The distance D to the product surface is proportional to the time of flight t of the impulse:

$$D = c \cdot t / 2,$$

with c being the speed of light.

Based on the known empty distance E, the level L is calculated:

$$L = E - D$$

The Micropilot is equipped with functions to suppress interference echoes. The user can activate these functions. Together with the multi-echo tracking algorithms they ensure that interference echoes, e.g. from from internal fixtures and struts, are not interpreted as level echoes.

Output

The Micropilot is configured by entering the empty distance "E" (= zero), the full distance "F" (= span) and application parameters which automatically adapt the device to the process conditions. For models with a current output, the factory adjustment for zero point "E" and span "F" is 4 mA and 20 mA. For digital outputs and the display module, the factory adjustment for zero point "E" and span "F" is 0 % and 100 %.

A linearization function with max. 32 points, based on a table entered either manually or semi-automatically, can be activated locally or remotely. This function provides a measurement in engineering units and a linear output signal for spherical and horizontal cylindrical vessels and vessels with a conical outlet.

Product life cycle**Planning**

- Universal measuring principle
- Measurement is independent of product properties
- Hardware and software developed according to SIL IEC 61508

Procurement

- As the global market leader in level measurement, Endress+Hauser guarantees the security of your investment
- Worldwide support and service

Installation

- No special tools are required
- Protection against reverse polarity
- Modern, detachable terminals
- Main electronics protected by a separate connection compartment

Commissioning

- Fast, menu-guided commissioning in only a few steps onsite or from the control room
- Plain text display in local language reduces the risk of error or confusion
- Direct local access to all parameters
- Printed Brief Operating Instructions in the device onsite

Operation

- Multi-echo tracking: Reliable measurement thanks to self-learning echo search algorithms taking into account the short-term and long-term history and plausibility of the detected signals to suppress interference echoes.
- In accordance with NAMUR NE107

Maintenance

- HistoROM: Data backup for device settings and measured values
- Exact device and process diagnostics to assist fast decisions with clear information regarding remedial action
- Intuitive, menu-guided operating concept in local language saves costs for training, maintenance and operation
- Cover of the electronics compartment can also be opened in the hazardous area

Retirement

- Order code translation for subsequent models
- RoHS-compliant (Restriction of certain Hazardous Substances), unleaded soldering of electronic components
- Environmentally friendly recycling approach

Input

Measured variable The measured variable is the distance between the reference point and the product surface.
The level is calculated based on "E", the empty distance entered.
Optionally, the level can be converted to other variables (volume, mass) by linearization (32 points).

Measuring range

Maximum measuring range

FMR53	Maximum measuring range
For all versions	20 m (66 ft)

FMR54	Maximum measuring range
Horn antenna	20 m (66 ft)
Planar antenna in stilling well	38 m (125 ft)

Usable measuring range

The usable measuring range depends on the antenna size, the medium's reflective properties, the installation position and any possible interference reflections.

The media groups and the possible measuring range are described as a function of the application and media group in the following section. If the dielectric constant of the medium is not known, to ensure a reliable measurement assume the medium belongs to group B.

Media groups

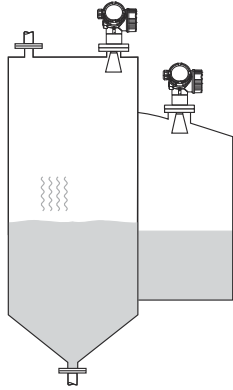
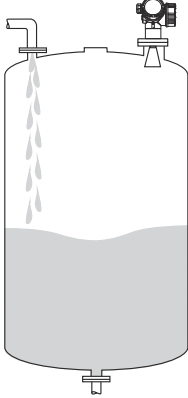
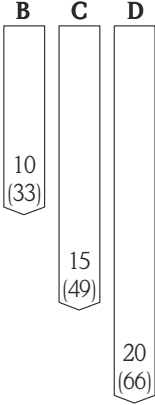
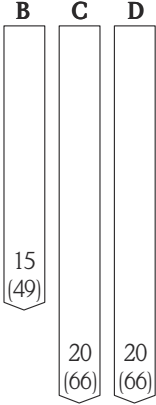
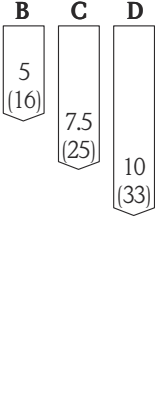
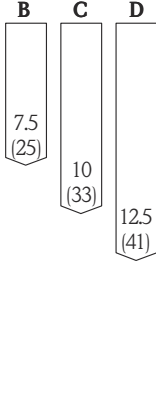
Media group	ϵ_r	Example
A	1.4 to 1.9	Non-conductive liquids, e.g. liquid gas ¹⁾
B	1.9 to 4	Non-conductive liquids, e.g. gasoline, oil, toluene, etc.
C	4 to 10	E.g. concentrated acid, organic solvents, ester, aniline, alcohol, acetone.
D	> 10	Conductive liquids, aqueous solutions, diluted acids and bases

1) Treat ammonia gas (NH₃) like "group A" media.

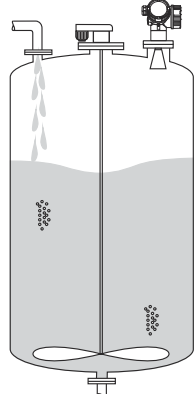
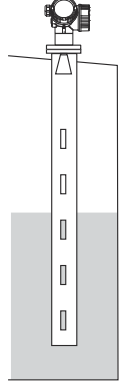
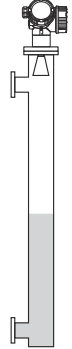
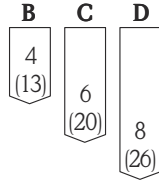
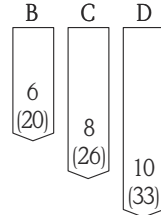





For dielectric constants (DC values) of many media commonly used in various industries refer to:

- the Endress+Hauser DC manual (CP01076F)
- the Endress+Hauser "DC Values App" (available for Android and iOS)

Device	Storage vessel		Buffer vessel	
	 <p data-bbox="226 723 831 779">Calm surface (e.g. bottom filling, filling via immersion tube or rare filling from above)</p>		 <p data-bbox="858 734 1433 790">Moving surface (e.g. continuous free filling from above, mixing jets)</p>	
	Antenna type/size		Antenna type/size	
FMR53	Rod 390 mm (15 in) Rod 540 mm (21 in)	-	Rod 390 mm (15 in) Rod 540 mm (21 in)	-
FMR54 ¹⁾	Horn 150 mm (6 in)	Horn 200 mm (8 in) Horn 250 mm (10 in)	Horn 150 mm (6 in)	Horn 200 mm (8 in) Horn 250 mm (10 in)
				
Measuring range [m (ft)]				

1) FMR54 with antennas BC (80mm/3") and BD (100mm/4") are not suitable for free-space installation in the tank. They should only be used in bypasses or stilling wells.

Device	Vessel with agitator		Stilling well		Bypass
	 <p data-bbox="758 694 805 712">A0018837</p> <p data-bbox="327 739 798 795">Turbulent surface (e.g. filling from above, agitators, baffles etc.)</p>		 <p data-bbox="1236 683 1284 701">A0018839</p>		 <p data-bbox="1476 649 1524 667">A0018840</p>
	Antenna type/size		Antenna type/size		
FMR53	Rod 390 mm (15 in) Rod 540 mm (21 in)	-	-	-	-
FMR54	Horn 150 mm (6 in)	Horn 200 mm (8 in) Horn 250 mm (10 in)	Horn 80 to 250 mm (3 to 10 in)	Planar 150 to 300 mm (6 to 12 in)	Horn 80 to 250 mm (3 to 10 in)
	 <p data-bbox="518 1209 574 1227">A0018848</p>	 <p data-bbox="758 1243 813 1261">A0018850</p>	 <p data-bbox="981 1433 1037 1451">A0018851</p>	 <p data-bbox="1236 1769 1292 1787">A0018854</p>	 <p data-bbox="1476 1433 1532 1451">A0018852</p>
	Measuring range [m (ft)]				

Operating frequency

C-band (~ 6 GHz)

As the transmission pulses are statistically coded, up to 8 Micropilot transmitters can be installed in the same tank.

Transmission power

Distance	Mean power density in the direction of the beam
1 m (3.3 ft)	< 12 nW/cm ²
5 m (16 ft)	< 0.4 nW/cm ²

Output

Output signal

HART

- Signal coding:
FSK ± 0.5 mA over current signal
- Data transmission rate:
1 200 Bit/s
- Galvanic isolation:
Yes

Bluetooth® wireless technology

- Device version:
Order code 610 "Accessory mounted", option NF "Bluetooth"
- Operation / configuration:
Via the *SmartBlue* app
- Range under reference conditions:
> 10 m (33 ft)
- Encryption:
Encrypted communication and password encryption prevent incorrect operation by unauthorized persons

PROFIBUS PA

- Signal coding:
Manchester Bus Powered (MBP)
- Data transmission rate:
31.25 kBit/s, Voltage mode
- Galvanic isolation:
Yes

FOUNDATION Fieldbus

- Signal coding:
Manchester Bus Powered (MBP)
- Data transmission rate:
31.25 kBit/s, Voltage mode
- Galvanic isolation:
Yes

Switch output



For HART devices, the switch output is available as an option.

- Function:
Open collector switch output
- Switching behavior:
Binary (conductive or non-conductive), switches when the programmable switch-on point/switch-off point is reached
- Failure mode:
Non-conductive
- Electrical connection data:
 $U = 16$ to 35 V_{DC}, $I = 0$ to 40 mA
- Internal resistor:
 $R_i < 880$ Ω
The voltage drop at this internal resistor must be taken into account when planning the configuration. For example, the resulting voltage at a connected relay must be sufficient to switch the relay.
- Insulation voltages:
Floating, insulation voltage $1\,350$ V_{DC} in relation to power supply and 500 V_{AC} ground
- Switch point:
User-programmable, separate for switch-on point and switch-off point
- Switching delay:
User-programmable in the 0 to 100 s range, separate for switch-on point and switch-off point

- Scan rate:
Corresponds to the measuring cycle
- Signal source / device variables:
 - Level linearized
 - Distance
 - Terminal voltage
 - Electronic temperature
 - Relative echo amplitude
 - Diagnostic values, advanced diagnostic blocks
 - Only for active interface measurement
- Number of switch cycles:
Unlimited

Signal on alarm

Depending on the interface, failure information is displayed as follows:

- Current output
 - Choice of failure mode (in accordance with NAMUR Recommendation NE 43):
Minimum alarm: 3.6 mA
Maximum alarm (= factory setting): 22 mA
 - Failure mode with user-configurable value: 3.59 to 22.5 mA
- Local display
 - Status signal (as per NAMUR Recommendation NE 107)
 - Plain text display
- Operating tool via digital communication (HART, PROFIBUS PA, FOUNDATION Fieldbus) or service interface (CDI)
 - Status signal (as per NAMUR Recommendation NE 107)
 - Plain text display

Linearization

The device's linearization function allows the user to convert the measured value to any length or volume units. Linearization tables for calculating the volume in cylindrical vessels are preprogrammed into the device. Other linearization tables of up to 32 value pairs can be entered manually or semi-automatically.

Galvanic isolation

All circuits for the outputs are galvanically isolated from each other.

Protocol-specific data**HART**

Manufacturer ID	17 (0x11)
Device type ID	0x1128
HART specification	7.0
Device description files (DTM, DD)	Information and files under: <ul style="list-style-type: none"> ▪ www.endress.com ▪ www.fieldcommgroup.org
HART load	min. 250 Ω

HART device variables	<p>The measured values can be freely assigned to the device variables.</p> <p>Measured values for PV (primary variable)</p> <ul style="list-style-type: none"> ▪ Level linearized ▪ Distance ▪ Electronic temperature ▪ Relative echo amplitude ▪ Area of incoupling ▪ Analog output adv. diagnostics 1 ▪ Analog output adv. diagnostics 2 <p>Measured values for SV, TV, QV (second, third and fourth variable)</p> <ul style="list-style-type: none"> ▪ Level linearized ▪ Distance ▪ Electronic temperature ▪ Terminal voltage ▪ Relative echo amplitude ▪ Absolute echo amplitude ▪ Area of incoupling ▪ Analog output adv. diagnostics 1 ▪ Analog output adv. diagnostics 2
Supported functions	<ul style="list-style-type: none"> ▪ Burst mode ▪ Additional transmitter status

Wireless HART data

Minimum starting voltage	17.5 V
Start-up current	4 mA
Starting time	80 s
Minimum operating voltage	17.5 V
Multidrop current	4.0 mA
Time for connection setup	30 s

PROFIBUS PA

Manufacturer ID	17 (0x11)
Ident number	0x1559
Profile version	3.02
GSD file	Information and files under:
GSD file version	<ul style="list-style-type: none"> ▪ www.endress.com ▪ www.profibus.org
Output values	<p>Analog Input:</p> <ul style="list-style-type: none"> ▪ Level linearized ▪ Distance ▪ Terminal voltage ▪ Electronic temperature ▪ Absolute echo amplitude ▪ Relative echo amplitude ▪ Analog output adv. diagnostics 1 ▪ Analog output adv. diagnostics 2 <p>Digital Input:</p> <ul style="list-style-type: none"> ▪ Digital output AD 1 ▪ Digital output AD 2 ▪ Switch output

Input values	<p>Analog Output:</p> <ul style="list-style-type: none"> ▪ Analog value from PLC (for sensor block, external pressure to compensate for gas phase effects) ▪ Analog value from PLC for transmission to display <p>Digital Output:</p> <ul style="list-style-type: none"> ▪ Extended Diagnostic Block ▪ Level Limiter ▪ Sensor Block Measurement On ▪ Sensor Block Save History On ▪ Status output
Supported functions	<ul style="list-style-type: none"> ▪ Identification & Maintenance Simplest device identification on the part of the control system and nameplate ▪ Automatic Ident Number Adoption GSD compatibility mode with predecessor Micropilot M FMR2xx ▪ Physical Layer Diagnostics Installation check of the PROFIBUS segment and the Micropilot FMR5x using terminal voltage and message monitoring ▪ PROFIBUS upload/download Reading and writing parameters is up to ten times faster with PROFIBUS upload/download ▪ Condensed status Simplest and self-explanatory diagnostic information by categorizing diagnostic messages that occur

FOUNDATION Fieldbus

Manufacturer ID	0x452B48
Device type	0x1028
Device revision	0x01
DD revision	Information and files under:
CFF revision	<ul style="list-style-type: none"> ▪ www.endress.com ▪ www.fieldcommgroup.org
Device Tester Version (ITK version)	6.0.1
ITK Test Campaign Number	IT085300
Link Master capability (LAS)	Yes
Choice of "Link Master" and "Basic Device"	Yes; Factory setting: Basic Device
Node address	Factory setting: 247 (0xF7)
Supported functions	<p>The following methods are supported:</p> <ul style="list-style-type: none"> ▪ Restart ▪ ENP Restart ▪ Setup ▪ Linearization ▪ Self Check
Virtual Communication Relationships (VCRs)	
Number of VCRs	44
Number of link objects in VFD	50
Permanent entries	1
Client VCRs	0
Server VCRs	10
Source VCRs	43
Sink VCRs	0
Subscriber VCRs	43
Publisher VCRs	43
Device Link Capabilities	

Slot time	4
Min. delay between PDU	8
Max. response delay	20

Transducer Blocks

Block	Contents	Output values
Setup Transducer Block	Contains all the parameters for standard commissioning	<ul style="list-style-type: none"> ■ Level or volume (channel 1) (depending on the block configuration) ■ Distance (channel 2)
Advanced Setup Transducer Block	Contains all the parameters for more accurate measurement configuration	No output values
Display Transducer Block	Contains parameters to configure the onsite display	No output values
Diagnostic Transducer Block	Contains diagnostic information	No output values
Advanced Diagnostic Transducer Block	Contains parameters for advanced diagnostics	No output values
Expert Configuration Transducer Block	Contains parameters that require the user to have in-depth knowledge of the operation of the device in order to configure the parameters appropriately	No output values
Expert Information Transducer Block	Contains parameters that provide information about the state of the device	No output values
Service Sensor Transducer Block	Contains parameters that can only be accessed by Endress+Hauser Service	No output values
Service Information Transducer Block	Contains parameters that provide Endress+Hauser Service with information about the state of the device	No output values
Data Transfer Transducer Block	Contains parameters for backing up the device configuration in the display module and for writing the saved configuration to the device. Access to these parameters is reserved for Endress+Hauser Service.	No output values

Function blocks

Block	Contents	Number of permanent blocks	Number of instantiatable blocks	Execution time	Functionality
Resource Block	The Resource Block contains all the data that uniquely identify the device. It is an electronic version of a nameplate of the device.	1	0	-	Enhanced
Analog Input Block	The AI Block receives the measuring data from the Sensor Block (selectable via a channel number), and makes the data available to other blocks at its output.	2	3	25 ms	Enhanced
Discrete Input Block	The Discrete Input Block receives a discrete value (e.g. indicator that measuring range has been exceeded) and makes the value available for other blocks at the output.	1	2	20 ms	Standard

Block	Contents	Number of permanent blocks	Number of instantiatable blocks	Execution time	Functionality
Multiple Analog Output Block	The Multiple Analog Output Block is used to transmit analog values from the bus to the device.	1	0	20 ms	Standard
Multiple Discrete Output Block	The Multiple Discrete Output Block is used to transmit discrete values from the bus to the device.	1	0	20 ms	Standard
PID Block	The PID Block is used as a proportional-integral-derivative controller and can be used universally for closed-loop-control in the field. It enables cascade mode and feedforward control.	1	1	25 ms	Standard
Arithmetic Block	The Arithmetic Block is designed to permit simple use of popular measurement math functions. The user does not have to know how to write equations. The math algorithm is selected by name, chosen by the user for the function to be performed.	1	1	25 ms	Standard
Signal Characterizer Block	The Signal Characterizer Block has two sections, each with an output value that is a non-linear function of the input value. The non-linear function is generated by a single look-up table with 21 arbitrary x-y pairs.	1	1	25 ms	Standard
Input Selector Block	The Input Selector Block facilitates the selection of up to four inputs and generates an output value based on the configured action. This block normally receives its inputs from AI Blocks. The block enables the selection of maximum, minimum, average and 'first good' values.	1	1	25 ms	Standard
Integrator Block	The Integrator Block integrates a variable as a function of the time or accumulates the counts from a Pulse Input Block. The Block can be used as a totalizer that totalizes until a reset, or as a batch totalizer whereby the integrated value is compared against a target value generated before or during the control routine and generates a binary signal when the target value is reached.	1	1	25 ms	Standard
Analog Alarm Block		1	1	25 ms	Standard

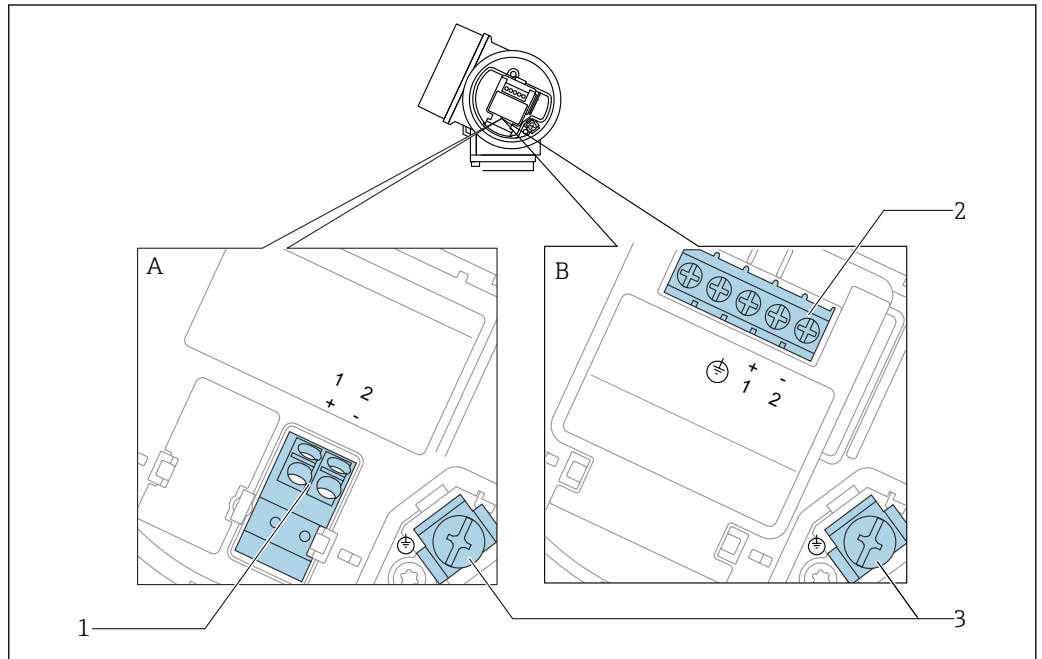


Up to 20 blocks can be instantiated in the device altogether, including the blocks already instantiated.

Power supply

Terminal assignment

Terminal assignment 2-wire: 4-20 mA HART



A0036498

2 Terminal assignment 2-wire: 4-20 mA HART

A Without integrated overvoltage protection

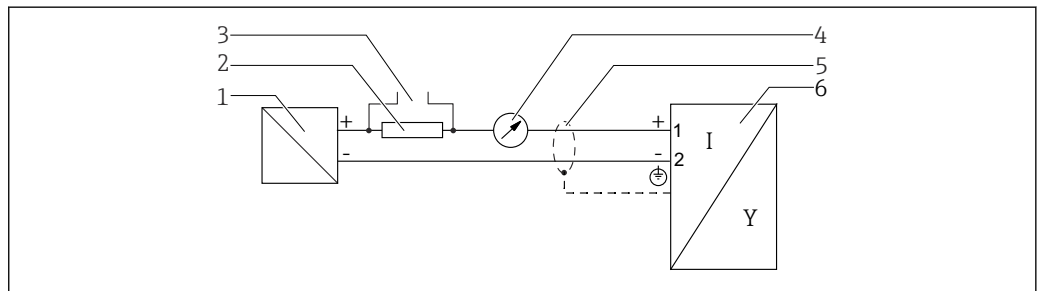
B With integrated overvoltage protection

1 Connection 4-20 mA HART passive: terminals 1 and 2, without integrated overvoltage protection

2 Connection 4-20 mA HART passive: terminals 1 and 2, with integrated overvoltage protection

3 Terminal for cable screen

Block diagram 2-wire: 4-20 mA HART



A0036499

3 Block diagram 2-wire: 4-20 mA HART

1 Active barrier with power supply (e.g. RN221N); observe terminal voltage

2 HART communication resistor ($\geq 250 \Omega$); observe maximum load

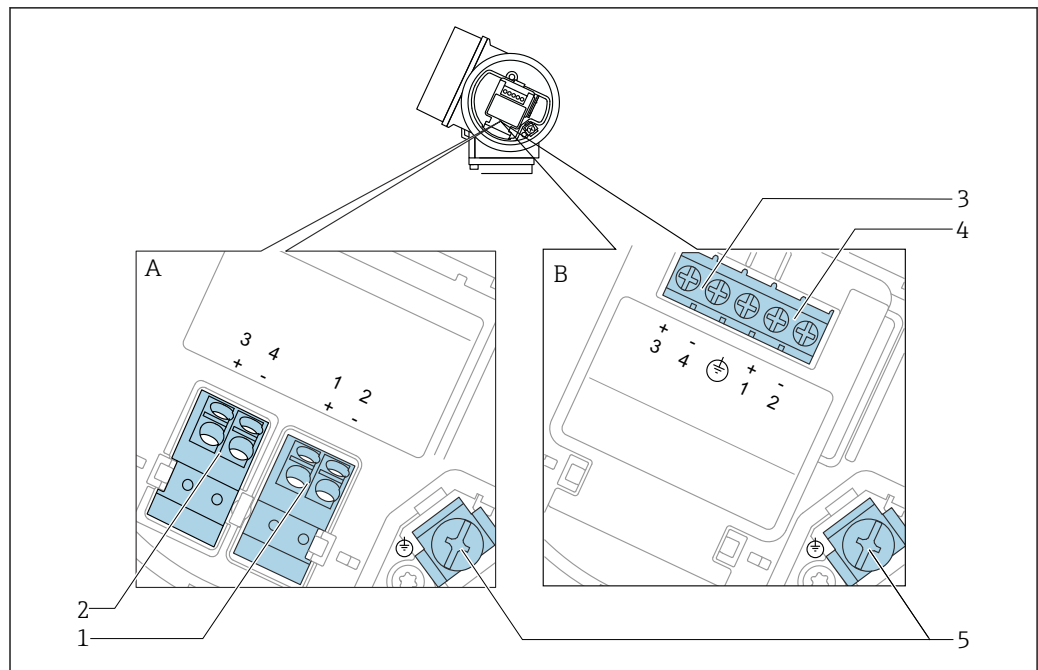
3 Connection for Commubox FXA195 or FieldXpert SFX350/SFX370 (via VIATOR Bluetooth modem)

4 Analog display device; observe maximum load

5 Cable screen; observe cable specification

6 Measuring device

Terminal assignment 2-wire: 4-20 mA HART, switch output



A0036500

4 Terminal assignment 2-wire: 4-20 mA HART, switch output

A Without integrated overvoltage protection

B With integrated overvoltage protection

1 Connection 4-20 mA HART passive: terminals 1 and 2, without integrated overvoltage protection

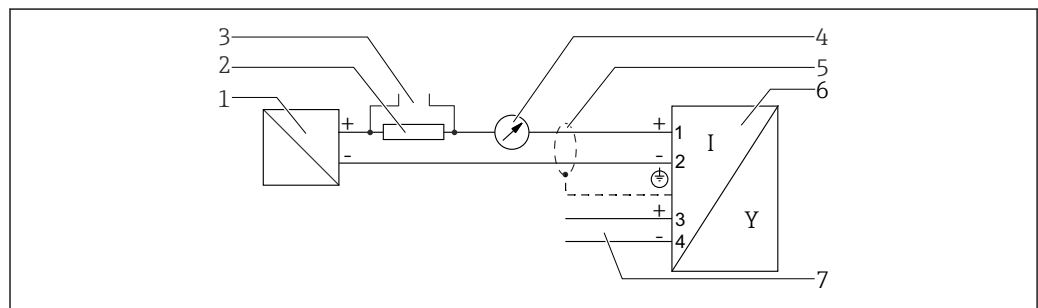
2 Connection switch output (Open Collector): terminals 3 and 4, without integrated overvoltage protection

3 Connection switch output (Open Collector): terminals 3 and 4, with integrated overvoltage protection

4 Connection 4-20 mA HART passive: terminals 1 and 2, with integrated overvoltage protection

5 Terminal for cable screen

Block diagram 2-wire: 4-20 mA HART, switch output



A0036501

5 Block diagram 2-wire: 4-20 mA HART, switch output

1 Active barrier with power supply (e.g. RN221N); observe terminal voltage

2 HART communication resistor ($\geq 250 \Omega$); observe maximum load

3 Connection for Commubox FXA195 or FieldXpert SFX350/SFX370 (via VIATOR Bluetooth modem)

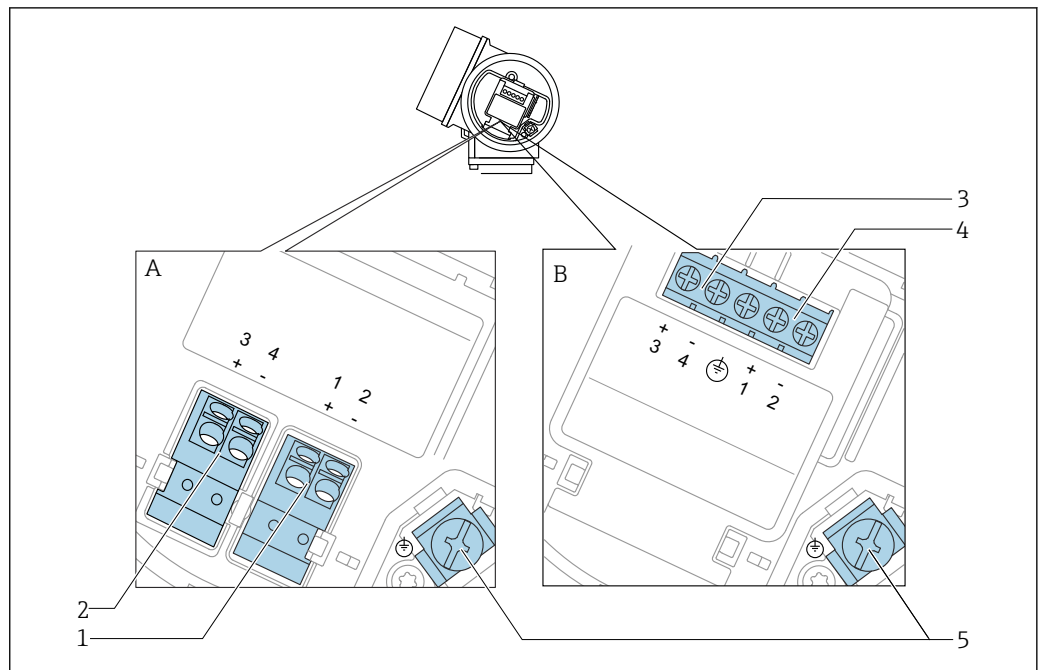
4 Analog display device; observe maximum load

5 Cable screen; observe cable specification

6 Measuring device

7 Switch output (Open Collector)

Terminal assignment 2-wire: 4-20 mA HART, 4-20 mA



6 Terminal assignment 2-wire: 4-20 mA HART, 4-20 mA

A Without integrated overvoltage protection

B With integrated overvoltage protection

1 Connection current output 1, 4-20 mA HART passive: terminals 1 and 2, without integrated overvoltage protection

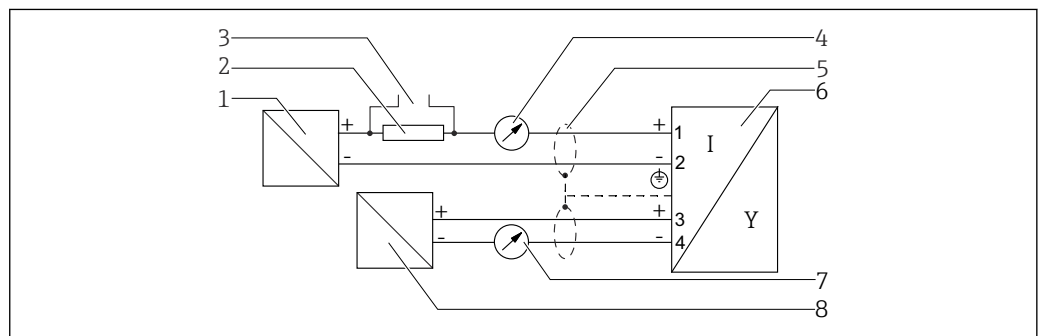
2 Connection current output 2, 4-20 mA: terminals 3 and 4, without integrated overvoltage protection

3 Connection current output 2, 4-20 mA: terminals 3 and 4, with integrated overvoltage protection

4 Connection current output 1, 4-20 mA HART passive: terminals 1 and 2, with integrated overvoltage protection

5 Terminal for cable screen

Block diagram 2-wire: 4-20 mA HART, 4-20 mA



7 Block diagram 2-wire: 4-20 mA HART, 4-20 mA

1 Active barrier with power supply (e.g. RN221N); observe terminal voltage

2 HART communication resistor ($\geq 250 \Omega$); observe maximum load

3 Connection for Commubox FXA195 or FieldXpert SFX350/SFX370 (via VIATOR Bluetooth modem)

4 Analog display device; observe maximum load

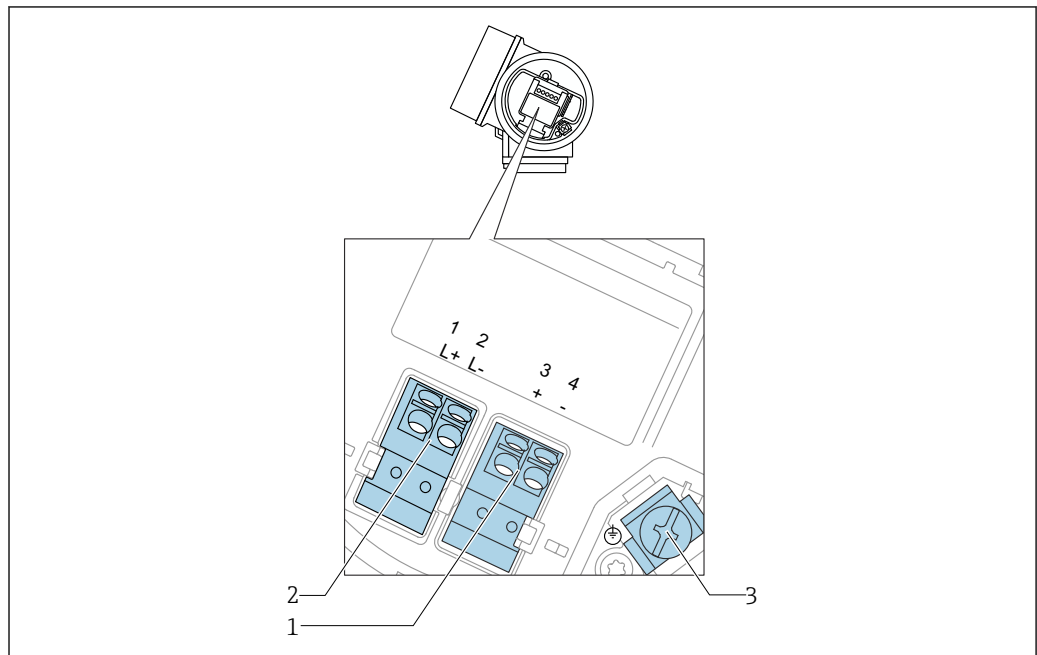
5 Cable screen; observe cable specification

6 Measuring device

7 Analog display device; observe maximum load

8 Active barrier with power supply (e.g. RN221N), current output 2; observe terminal voltage

Terminal assignment 4-wire: 4-20 mA HART (10.4 to 48 V_{DC})

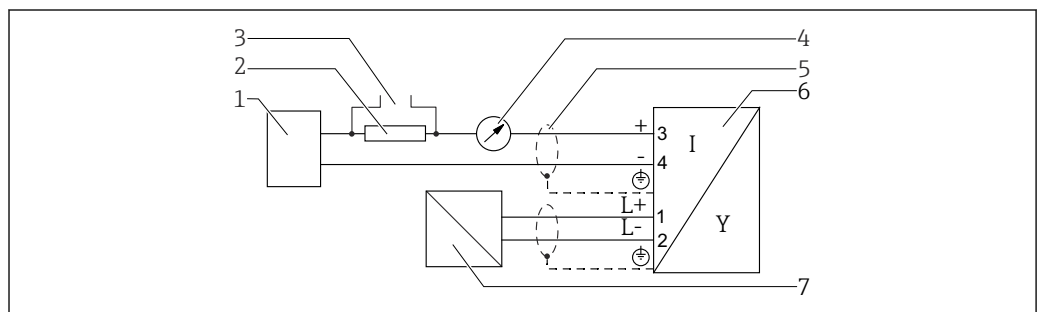


A0036516

8 Terminal assignment 4-wire: 4-20 mA HART (10.4 to 48 V_{DC})

- 1 Connection 4-20 mA HART (active): terminals 3 and 4
- 2 Connection supply voltage: terminals 1 and 2
- 3 Terminal for cable screen

Block diagram 4-wire: 4-20 mA HART (10.4 to 48 V_{DC})

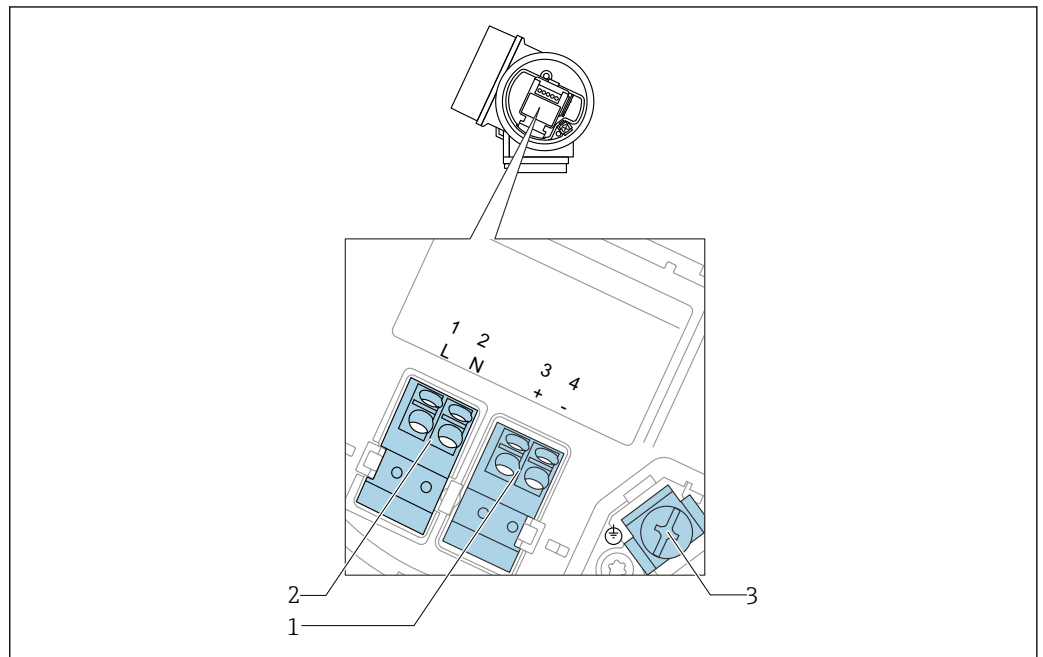


A0036526

9 Block diagram 4-wire: 4-20 mA HART (10.4 to 48 V_{DC})

- 1 Evaluation unit, e.g. PLC
- 2 HART communication resistor ($\geq 250 \Omega$); observe maximum load
- 3 Connection for Commubox FXA195 or FieldXpert SFX350/SFX370 (via VIATOR Bluetooth modem)
- 4 Analog display device; observe maximum load
- 5 Cable screen; observe cable specification
- 6 Measuring device
- 7 Supply voltage; observe terminal voltage, observe cable specification

Terminal assignment 4-wire: 4-20 mA HART (90 to 253 V_{AC})



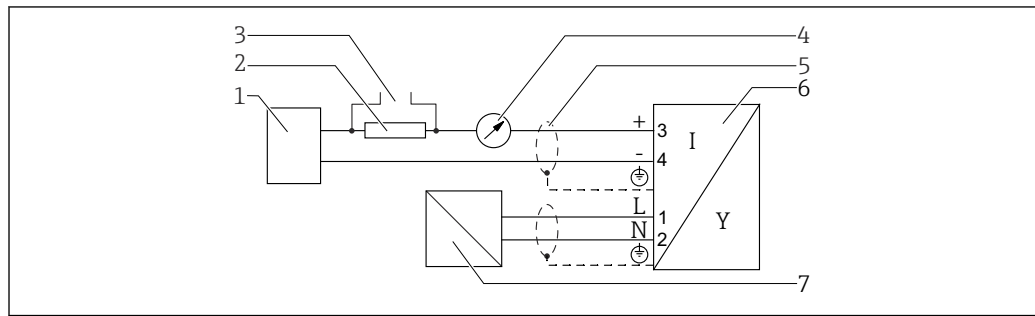
10 Terminal assignment 4-wire: 4-20 mA HART (90 to 253 V_{AC})

- 1 Connection 4-20 mA HART (active): terminals 3 and 4
- 2 Connection supply voltage: terminals 1 and 2
- 3 Terminal for cable screen

CAUTION

To ensure electrical safety:

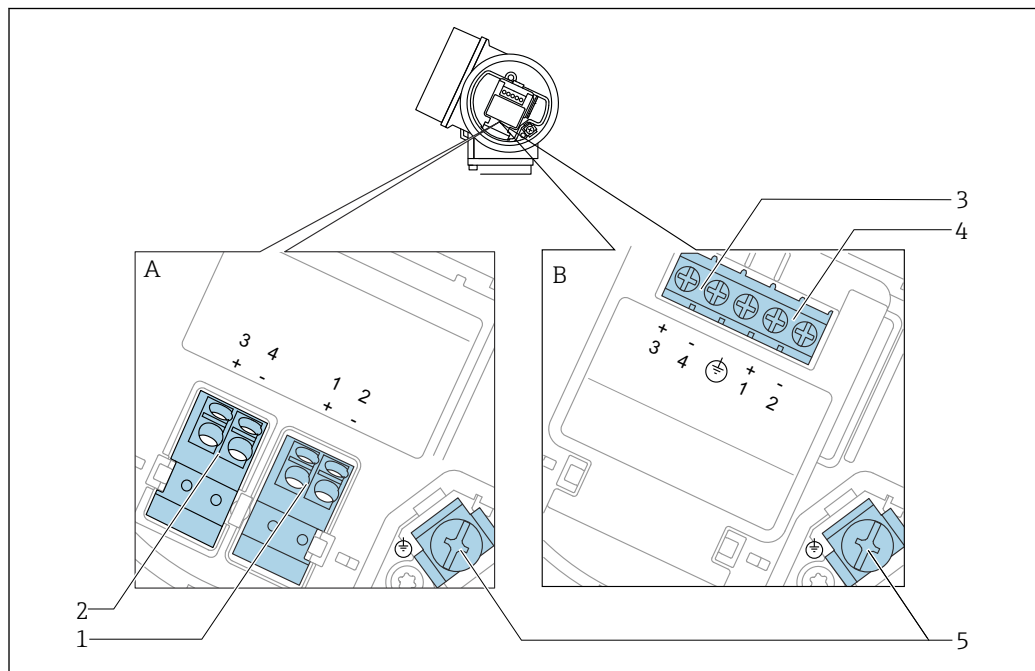
- ▶ Do not disconnect the protective connection.
 - ▶ Disconnect the supply voltage before disconnecting the protective earth.
- i** Connect protective earth to the internal ground terminal (3) before connecting the supply voltage. If necessary, connect the potential matching line to the external ground terminal.
 - i** In order to ensure electromagnetic compatibility (EMC): Do **not** only ground the device via the protective earth conductor of the supply cable. Instead, the functional grounding must also be connected to the process connection (flange or threaded connection) or to the external ground terminal.
 - i** An easily accessible power switch must be installed in the proximity of the device. The power switch must be marked as a disconnecter for the device (IEC/EN61010).

Block diagram 4-wire: 4-20 mA HART (90 to 253 V_{AC})

A0036527

11 Block diagram 4-wire: 4-20 mA HART (90 to 253 V_{AC})

- 1 Evaluation unit, e.g. PLC
- 2 HART communication resistor ($\geq 250 \Omega$); observe maximum load
- 3 Connection for Commubox FXA195 or FieldXpert SFX350/SFX370 (via VIATOR Bluetooth modem)
- 4 Analog display device; observe maximum load
- 5 Cable scree; observe cable specification
- 6 Measuring device
- 7 Supply voltage; observe terminal voltage, observe cable specification

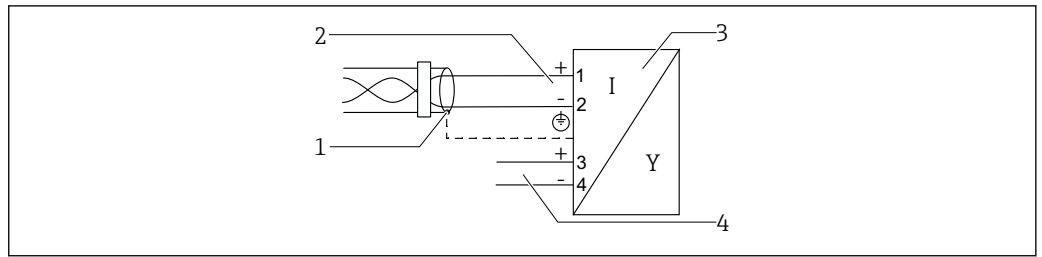
Terminal assignment PROFIBUS PA / FOUNDATION Fieldbus

A0036500

12 Terminal assignment PROFIBUS PA / FOUNDATION Fieldbus

- A Without integrated overvoltage protection
- B With integrated overvoltage protection
- 1 Connection PROFIBUS PA / FOUNDATION Fieldbus: terminals 1 and 2, without integrated overvoltage protection
- 2 Connection switch output (Open Collector): terminals 3 and 4, without integrated overvoltage protection
- 3 Connection switch output (Open Collector): terminals 3 and 4, with integrated overvoltage protection
- 4 Connection PROFIBUS PA / FOUNDATION Fieldbus: terminals 1 and 2, with integrated overvoltage protection
- 5 Terminal for cable screen

Block diagram PROFIBUS PA / FOUNDATION Fieldbus



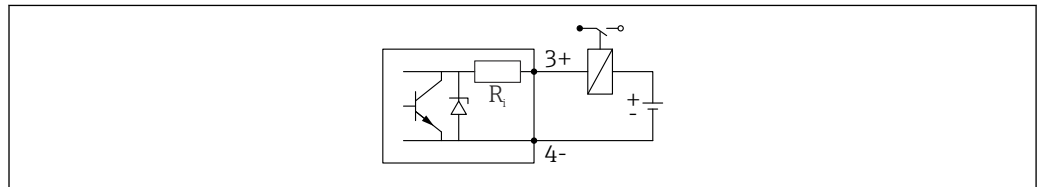
A0036530

13 Block diagram PROFIBUS PA / FOUNDATION Fieldbus

- 1 Cable screen; observe cable specifications
- 2 Connection PROFIBUS PA / FOUNDATION Fieldbus
- 3 Measuring device
- 4 Switch output (open collector)

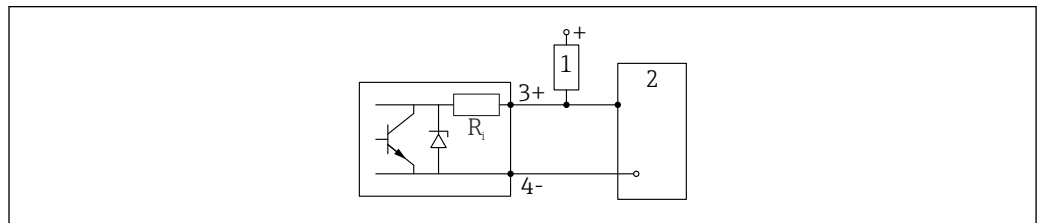
Connection examples for the switch output

i For HART devices, the switch output is available as an option.



A0015909

14 Connection of a relay



A0015910

15 Connection to a digital input

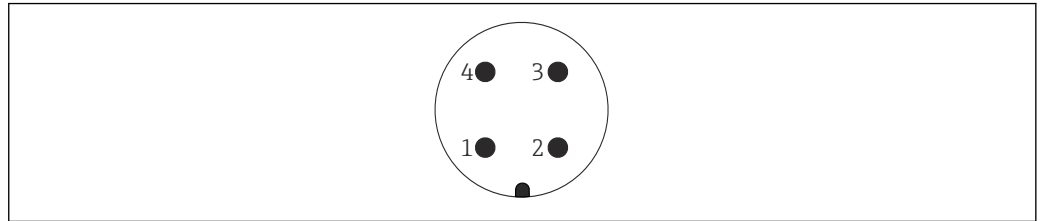
- 1 Pull-up resistor
- 2 Digital input

i For optimum interference immunity we recommend to connect an external resistor (internal resistance of the relay or pull-up resistor) of $< 1\,000\ \Omega$.

Device plugs



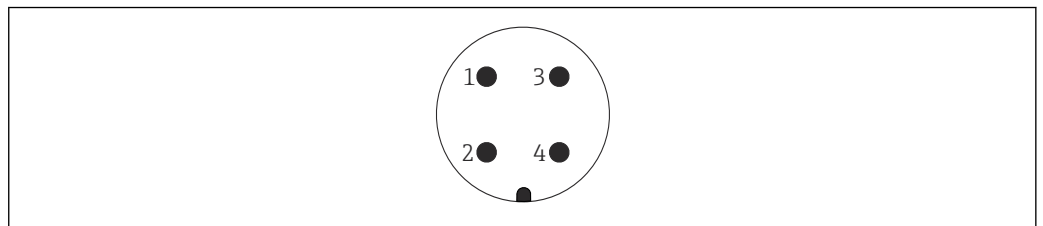
In device versions with a device plug (M12 or 7/8"), it is not necessary to open the housing in order to connect the signal cable.



A0011175

16 Pin assignment of M12 plug

- 1 Signal +
- 2 Not assigned
- 3 Signal -
- 4 Ground




A0011176

17 Pin assignment of 7/8" plug

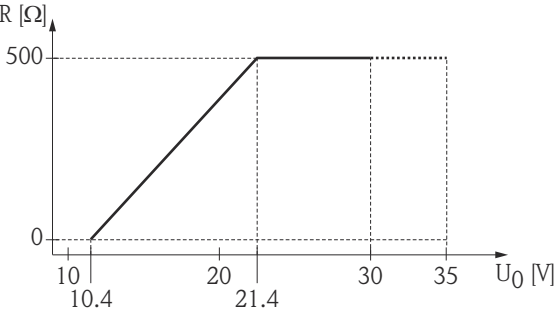
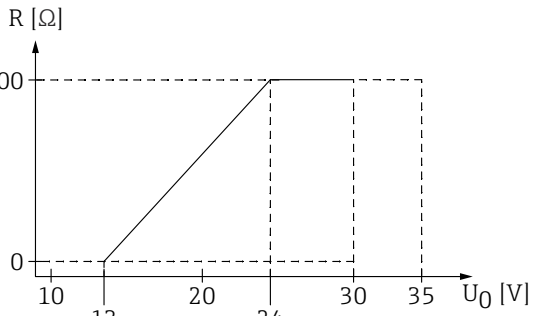
- 1 Signal -
- 2 Signal +
- 3 Not assigned
- 4 Shielding

Supply voltage

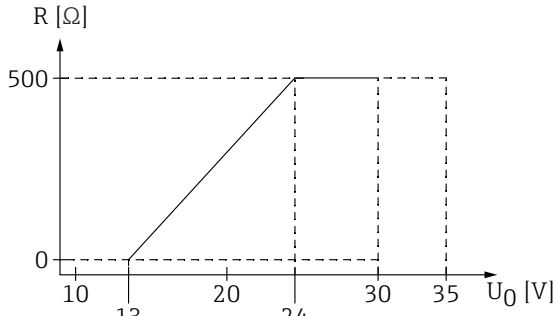
An external power supply is necessary.

 Various power supply units can be ordered from Endress+Hauser: see "Accessories" section

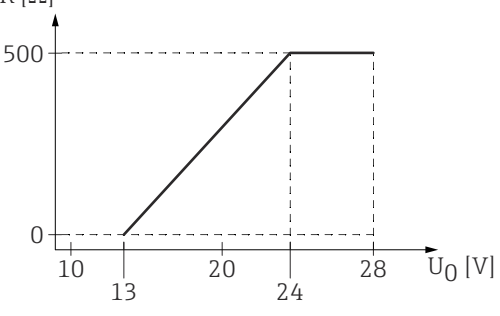
2-wire, 4-20mA HART, passive

"Power supply, output" ¹⁾	"Approval" ²⁾	Terminal voltage U at device	Maximum load R, depending on the supply voltage U ₀ of the power supply unit
A: 2-wire; 4-20mA HART	<ul style="list-style-type: none"> ■ Non-Ex ■ Ex nA ■ Ex ic ■ CSA GP 	10.4 to 35 V ^{3) 4) 5)}	
	Ex ia / IS	10.4 to 30 V ^{3) 4) 5)}	
	<ul style="list-style-type: none"> ■ Ex d(ia) / XP ■ Ex ic(ia) ■ Ex nA(ia) ■ Ex ta / DIP 	13 to 35 V ^{5) 6)}	
Ex ia + Ex d(ia) / IS + XP	13 to 30 V ^{5) 6)}		

- 1) Feature 020 in the product structure
- 2) Feature 010 in the product structure
- 3) At ambient temperatures T_a ≤ -20 °C, a terminal voltage U ≥ 15 V is required to start the device with the minimum failure current (3.6 mA). The start-up current can be configured. If the device is operated with a fixed current I ≥ 5.5 mA (HART Multidrop mode), a voltage U ≥ 10.4 V suffices in the entire ambient temperature range.
- 4) A voltage U ≥ 12.5 V is required in the current simulation mode.
- 5) If the Bluetooth module is used, the minimum supply voltage increases by 3 V.
- 6) At ambient temperatures T_a ≤ -20 °C, a terminal voltage U ≥ 16 V is required to start the device with the minimum failure current (3.6 mA).

"Power supply, output" ¹⁾	"Approval" ²⁾	Terminal voltage U at device	Maximum load R, depending on the supply voltage U ₀ of the power supply unit
B: 2-wire; 4-20 mA HART, switch output	<ul style="list-style-type: none"> ■ Non-Ex ■ Ex nA ■ Ex nA(ia) ■ Ex ic ■ Ex ic(ia) ■ Ex d(ia) / XP ■ Ex ta / DIP ■ CSA GP 	13 to 35 V ^{3) 4)}	
	<ul style="list-style-type: none"> ■ Ex ia / IS ■ Ex ia + Ex d(ia) / IS + XP 	13 to 30 V ^{3) 4)}	

- 1) Feature 020 in the product structure
- 2) Feature 010 in the product structure
- 3) At ambient temperatures T_a ≤ -30 °C, a terminal voltage U ≥ 16 V is required to start the device with the minimum failure current (3.6 mA).
- 4) If the Bluetooth module is used, the minimum supply voltage increases by 3 V.

"Power supply, output" ¹⁾	"Approval" ²⁾	Terminal voltage U at device	Maximum load R, depending on the supply voltage U ₀ of the power supply unit
C: 2-wire; 4-20mA HART, 4-20mA	All	13 to 28 V ^{3) 4)}	 <p>The graph plots Maximum load R [Ω] on the y-axis (0 to 500) against supply voltage U₀ [V] on the x-axis (10 to 28). The load resistance is 0 Ω for U₀ between 10 V and 13 V. It then increases linearly to 500 Ω at U₀ = 24 V. From 24 V to 28 V, the load resistance remains constant at 500 Ω.</p>

- 1) Feature 020 in the product structure
- 2) Feature 010 in the product structure
- 3) At ambient temperatures T_a ≤ -30 °C, a terminal voltage U ≥ 16 V is required to start the device with the minimum failure current (3.6 mA).
- 4) If the Bluetooth module is used, the minimum supply voltage increases by 3 V.

Integrated polarity reversal protection	Yes
Permitted residual ripple with f = 0 to 100 Hz	U _{SS} < 1 V
Permitted residual ripple with f = 100 to 10000 Hz	U _{SS} < 10 mV

4-wire, 4-20mA HART, active

"Power supply; output" ¹⁾	Terminal voltage U	Maximum load R _{max}
K: 4-wire 90-253VAC; 4-20mA HART	90 to 253 V _{AC} (50 to 60 Hz), overvoltage category II	500 Ω
L: 4-wire 10.4-48VDC; 4-20mA HART	10.4 to 48 V _{DC}	

1) Feature 020 in the product structure

PROFIBUS PA, FOUNDATION Fieldbus

"Power supply; output" ¹⁾	"Approval" ²⁾	Terminal voltage
E: 2-wire; FOUNDATION Fieldbus, switch output G: 2-wire; PROFIBUS PA, switch output	<ul style="list-style-type: none"> ▪ Non-Ex ▪ Ex nA ▪ Ex nA(ia) ▪ Ex ic ▪ Ex ic(ia) ▪ Ex d(ia) / XP ▪ Ex ta / DIP ▪ CSA GP 	9 to 32 V ³⁾
	<ul style="list-style-type: none"> ▪ Ex ia / IS ▪ Ex ia + Ex d(ia) / IS + XP 	9 to 30 V ³⁾

1) Feature 020 in the product structure

2) Feature 010 in the product structure

3) Input voltages up to 35 V do not damage the device.

Polarity-dependent	No
FISCO/FNICO compliant according to IEC 60079-27	Yes

Power consumption

"Power supply; Output" ¹⁾	Power consumption
A: 2-wire; 4-20mA HART	< 0.9 W
B: 2-wire; 4-20mA HART, switch output	< 0.9 W
C: 2-wire; 4-20mA HART, 4-20mA	< 2 x 0.7 W
K: 4-wire 90-253VAC; 4-20mA HART	6 VA
L: 4-wire 10.4-48VDC; 4-20mA HART	1.3 W

1) Feature 020 of the product structure

Current consumption**HART**

Nominal current	3.6 to 22 mA, the start-up current for multidrop mode can be parametrized (is set to 3.6 mA on delivery)
Breakdown signal (NAMUR NE43)	adjustable: 3.59 to 22.5 mA

PROFIBUS PA

Nominal current	14 mA
Failure current FDE (Fault Disconnection Electronic)	0 mA

FOUNDATION Fieldbus

Device basic current	15 mA
Failure current FDE (Fault Disconnection Electronic)	0 mA

FISCO

U _i	17.5 V
I _i	550 mA
P _i	5.5 W
C _i	5 nF
L _i	10 µH

Power supply failure

- Configuration is retained in the HistoROM (EEPROM).
- Error messages (incl. value of operated hours counter) are stored.

Potential equalization

No special measures for potential equalization are required.



If the device is designed for hazardous areas, observe the information in the documentation "Safety Instructions" (XA).

Terminals

- **Without integrated overvoltage protection**
Plug-in spring terminals for wire cross-sections 0.5 to 2.5 mm² (20 to 14 AWG)
- **With integrated overvoltage protection**
Screw terminals for wire cross-sections 0.2 to 2.5 mm² (24 to 14 AWG)

Cable entries

Connection of the power supply and signal cables

To be selected in feature 050 "Electrical connection":

- Coupling M20, material depends on approval:
 - For non-Ex, ATEX, IECEX, NEPSI Ex ia/ic:
Plastic M20x1.5 for cable Ø5 to 10 mm (0.2 to 0.39 in)
 - For Dust-Ex, FM IS, CSA IS, CSA GP, Ex ec:
 - For Ex db:
No cable gland available
- Thread
 - ½" NPT
 - G ½"
 - M20 × 1.5
- M12 plug / 7/8" plug
Only available for non-Ex, Ex ic, Ex ia

Connection of remote display FHX50

Feature 030 "Display, operation"	Cable entry for connection of FHX50
L: "Prepared for display FHX50 + M12 connection"	M12 socket
M: "Prepared for display FHX50 + M16 cable gland, custom connection"	M12 cable gland
N: "Prepared for display FHX50 + NPT1/2 thread, custom connection"	Thread NPT1/2

Cable specification


- **Devices without integrated overvoltage protection**
Pluggable spring-force terminals for wire cross-sections 0.5 to 2.5 mm² (20 to 14 AWG)
- **Devices with integrated overvoltage protection**
Screw terminals for wire cross-sections 0.2 to 2.5 mm² (24 to 14 AWG)
- For ambient temperature T_U ≥ 60 °C (140 °F): use cable for temperature T_U + 20 K.

HART

- A normal device cable suffices if only the analog signal is used.
- A shielded cable is recommended if using the HART protocol. Observe grounding concept of the plant.
- For 4-wire devices: Standard device cable is sufficient for the power line.

PROFIBUS

Use a twisted, screened two-wire cable, preferably cable type A.

-  For further information on the cable specifications, see Operating Instructions BA00034S "PROFIBUS DP/PA: Guidelines for planning and commissioning", PNO Guideline 2.092 "PROFIBUS PA User and Installation Guideline" and IEC 61158-2 (MBP).

FOUNDATION Fieldbus

Endress+Hauser recommends using twisted, shielded two-wire cables.

-  For further information on the cable specifications, see Operating Instructions BA00013S "FOUNDATION Fieldbus Overview", FOUNDATION Fieldbus Guideline and IEC 61158-2 (MBP).

Overvoltage protection

If the measuring device is used for level measurement in flammable liquids which requires the use of overvoltage protection according to DIN EN 60079-14, standard for test procedures 60060-1 (10 kA, pulse 8/20 µs), an overvoltage protection module has to be installed.

Integrated overvoltage protection module

An integrated overvoltage protection module is available for 2-wire HART as well as PROFIBUS PA and FOUNDATION Fieldbus devices.

Product structure: Feature 610 "Accessory mounted", option NA "Overvoltage protection".

Technical data	
Resistance per channel	2 × 0.5 Ω max.
Threshold DC voltage	400 to 700 V
Threshold impulse voltage	< 800 V
Capacitance at 1 MHz	< 1.5 pF
Nominal arrest impulse voltage (8/20 µs)	10 kA

External overvoltage protection module

HAW562 or HAW569 from Endress+Hauser are suited as external overvoltage protection.

Performance characteristics

Reference operating conditions

- Temperature = +24 °C (+75 °F) ±5 °C (±9 °F)
- Pressure = 960 mbar abs. (14 psia) ±100 mbar (±1.45 psi)
- Humidity = 60 % ±15 %
- Reflector: metal plate with a diameter ≥ 1 m (40 in)
- No major interference reflections inside the signal beam

Maximum measured error

Typical data under reference operating conditions: DIN EN IEC 61298-2 / DIN EN IEC 60770-1; percentage values in relation to the span.

Device version	Value	Output	
		digital	analog ¹⁾
Standard	Sum of non-linearity, non-repeatability and hysteresis	± 6 mm (0.24 in) throughout the entire measuring range	± 0.02 %
	Offset/Zero	± 4 mm (0.2 in)	± 0.03 %

1) Only relevant for 4-20mA current output; add error of the analog value to the digital value

Measured value resolution

Dead band according to DIN EN IEC 61298-2 / DIN EN IEC 60770-1:

- Digital: 1 mm
- Analog: 1 µA

Response time

The response time can be configured. The following step response times (in accordance with DIN EN IEC 61298-2 / DIN EN IEC 60770-1)¹⁾ are when damping is switched off:

Tank height	Sampling rate	Response time
< 10 m (33 ft)	≥3.6 s ⁻¹	< 0.8 s
< 20 m (66 ft)	≥2.7 s ⁻¹	< 1 s

Influence of ambient temperature

The measurements are performed according to DIN EN IEC 61298-3 / DIN EN IEC 60770-1

- Digital (HART, PROFIBUS PA, FOUNDATION Fieldbus): average T_C = 3 mm/10 K
- Analog (current output):
 - Zero point (4 mA): average T_C = 0.02 %/10 K
 - Span (20 mA): average T_C = 0.05 %/10 K

Influence of gas phase

High pressure reduces the speed of propagation of the measuring signals in the gas/vapor above the medium. This effect depends on the type of gas phase and its temperature. This results in a systematic measured error that increases with increasing distance between the reference point of the measurement (flange) and the surface of the product. The following table shows this measured error for a few typical gases/vapors (with regard to the distance, a positive value means that a too large distance is measured):

Gas phase	Temperature	Pressure				
		1 bar (14.5 psi)	10 bar (145 psi)	50 bar (725 psi)	100 bar (1450 psi)	160 bar (2320 psi)
Air/nitrogen	20 °C (68 °F)	0.00 %	0.22 %	1.2 %	2.4 %	3.89 %
	200 °C (392 °F)	-0.01 %	0.13 %	0.74 %	1.5 %	2.42 %
	400 °C (752 °F)	-0.02 %	0.08 %	0.52 %	1.1 %	1.70 %
Hydrogen	20 °C (68 °F)	-0.01 %	0.10 %	0.61 %	1.2 %	2.00 %
	200 °C (392 °F)	-0.02 %	0.05 %	0.37 %	0.76 %	1.23 %
	400 °C (752 °F)	-0.02 %	0.03 %	0.25 %	0.53 %	0.86 %

1) According to DIN EN IEC 61298-2 / DIN EN IEC 60770-1, the step response time is the time that elapses after an abrupt change in the input signal until the change in the output signal has adopted 90% of the steady-state value for the first time.

Gas phase	Temperature	Pressure				
		1 bar (14.5 psi)	10 bar (145 psi)	50 bar (725 psi)	100 bar (1450 psi)	160 bar (2320 psi)
Water (saturated steam)	100 °C (212 °F)	0.02 %	-	-	-	-
	180 °C (356 °F)	-	2.1 %	-	-	-
	263 °C (505 °F)	-	-	8.6 %	-	-
	310 °C (590 °F)	-	-	-	22 %	-
	364 °C (687 °F)	-	-	-	-	41.8 %



With a known, constant pressure, it is possible to compensate for this measured error with a linearization, for example.

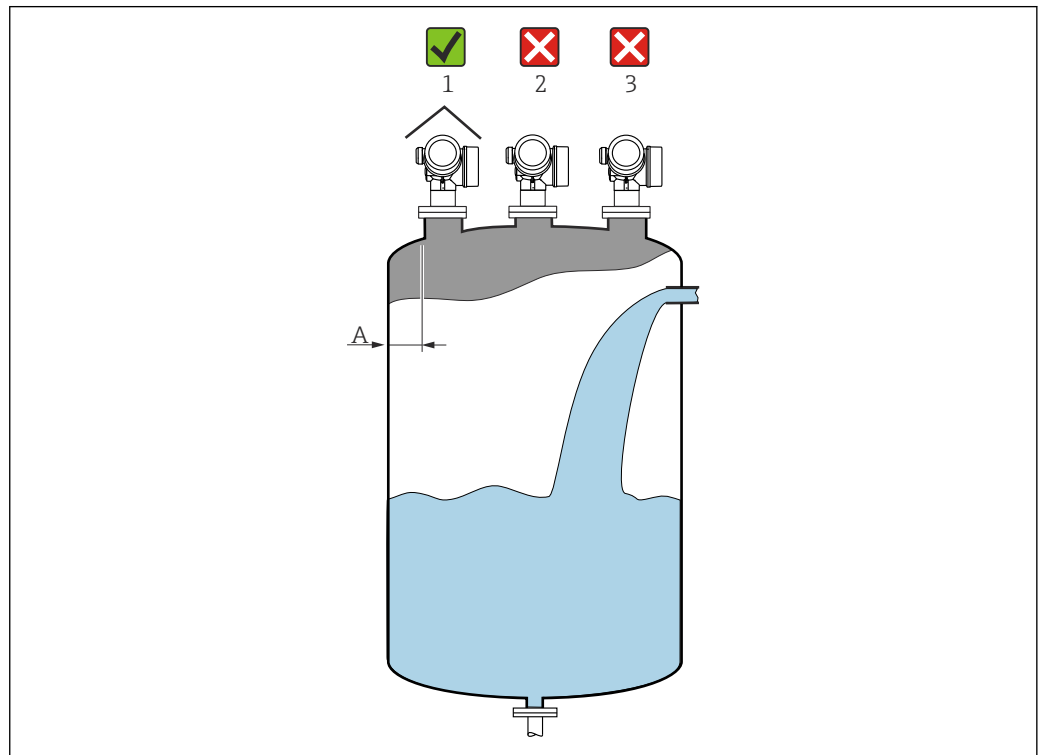
Gas phase compensation with external pressure sensor (PROFIBUS PA, FOUNDATION Fieldbus)

PROFIBUS devices can receive the signal from an external pressure sensor over the bus and use it to automatically perform a pressure-dependent time-of-flight correction. In the case of saturated steam in the temperature range from 100 to 350 °C (212 to 662 °F), this makes it possible to reduce the distance measurement error of up to 29 % (without compensation) to below 3 % (with compensation).

Installation

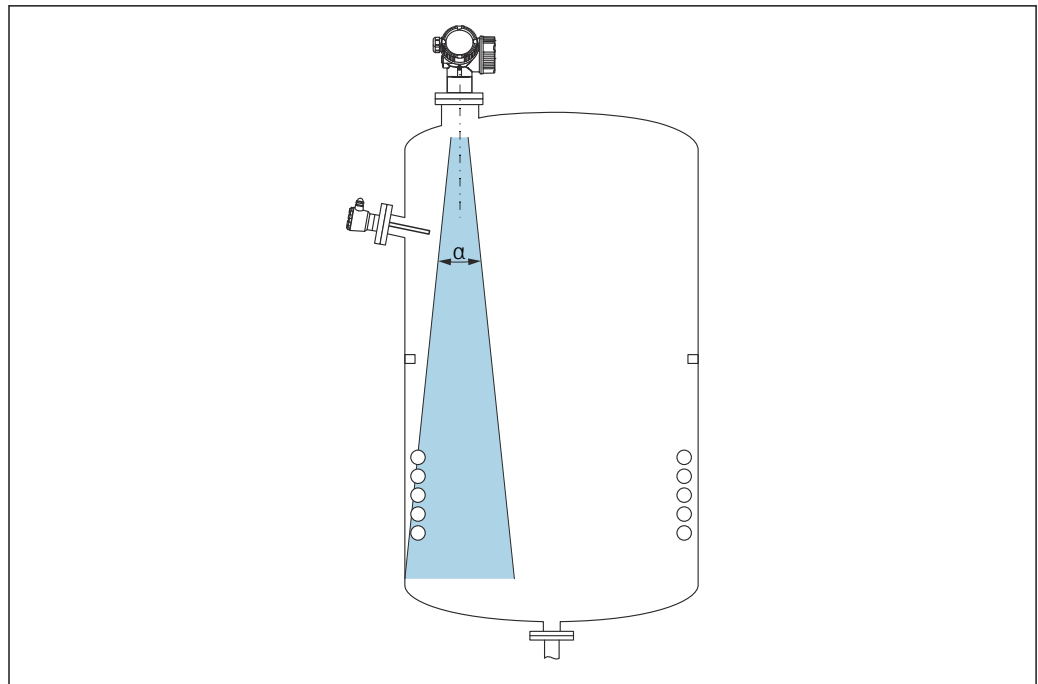
Installation conditions

Orientation



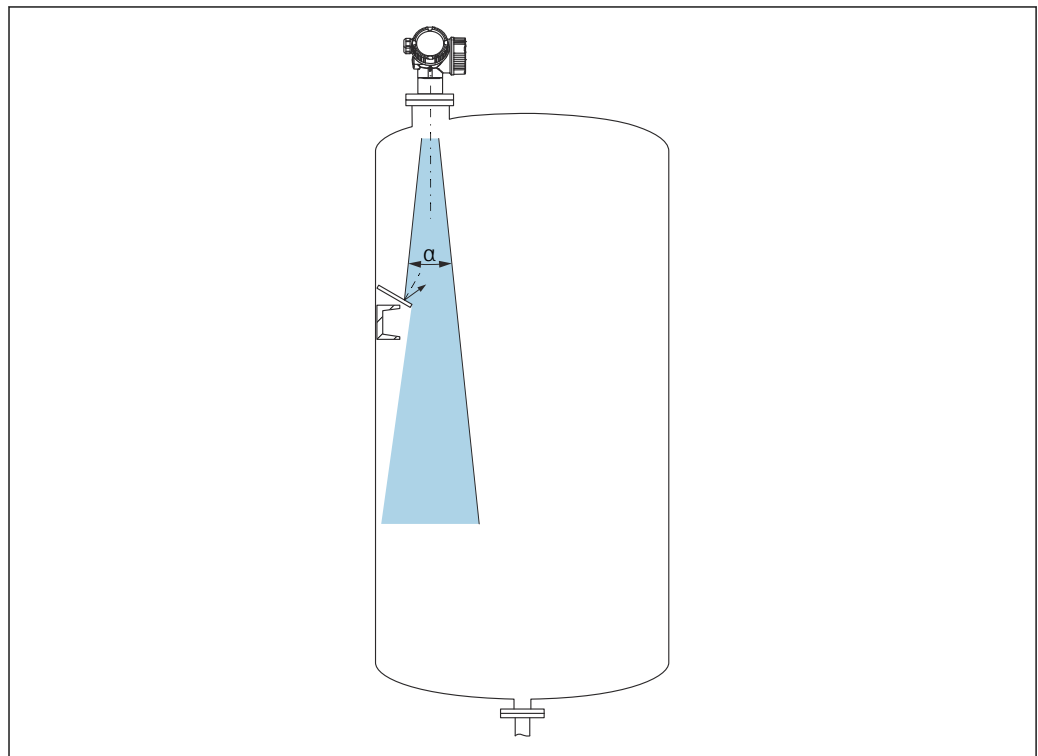
A0016882

- Recommended distance **A** wall - nozzle outer edge: $\sim 1/6$ of the vessel diameter. However, the device must not under any circumstances be mounted closer than 30 cm (11.8 in) to the tank wall.
- Not in the center (2) as interference can cause signal loss.
- Not above the filling curtain (3).
- The use of a weather protection cover (1) is recommended to protect the transmitter from direct sunlight or rain.

Internal vessel fittings

A0018944

Avoid the location of internal fittings (limit switches, temperature sensors, struts, vacuum rings, heating coils, baffles etc.) inside the signal beam. Take into account the beam angle.

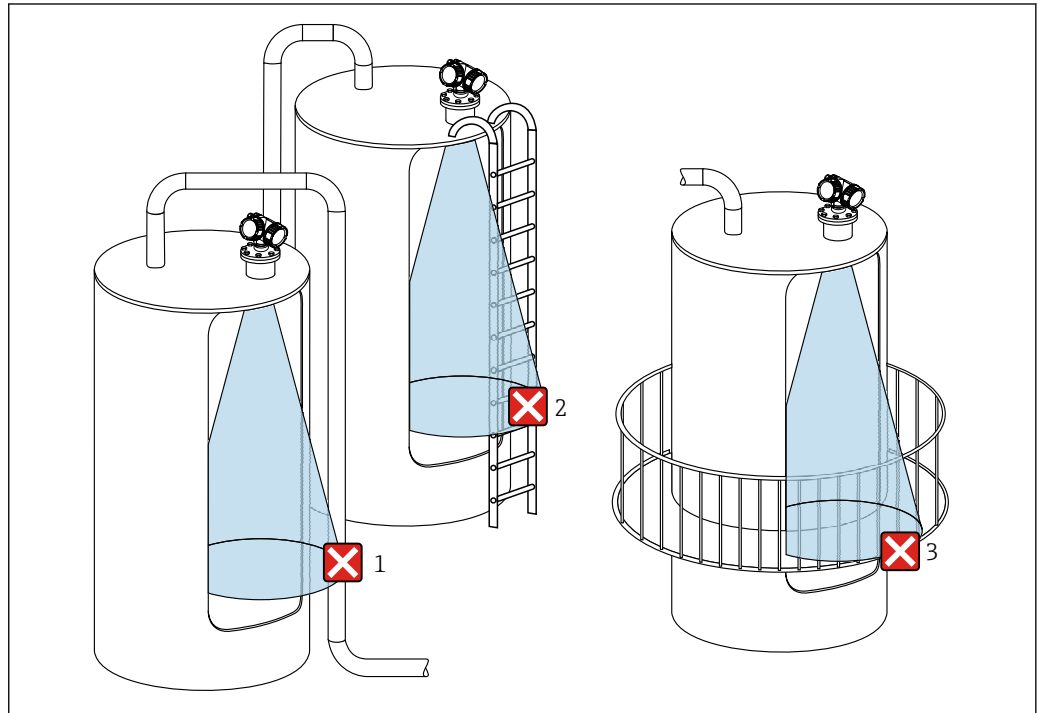
Avoiding interference echoes

A0016890

Metal orifice plates installed at an angle to scatter the radar signals help prevent interference echoes.

Measurement in a plastic vessel

If the outer wall of the vessel is made of a non-conductive material (e.g. GFR), microwaves can also be reflected off interfering installations outside of the vessel (e.g. metallic pipes (1), ladders (2), grates (3) etc.). Therefore there should be no such interfering installations in the signal beam.

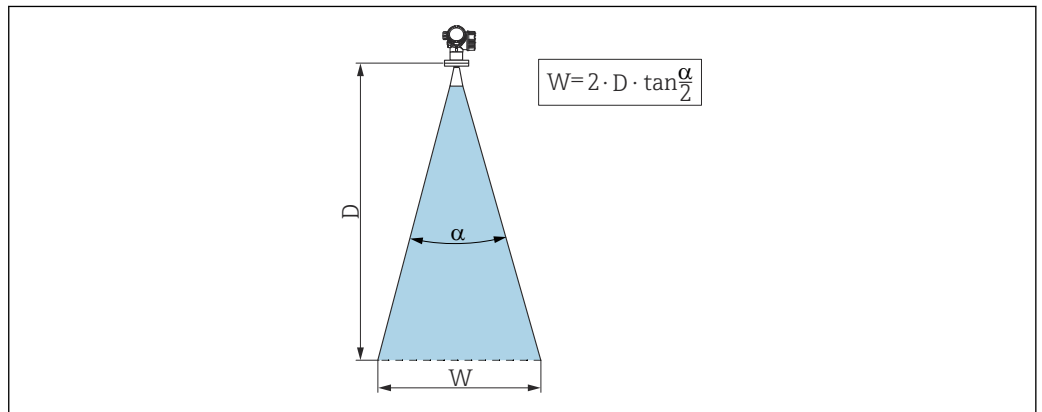


A0017123

Optimization options

- Antenna size
The larger the antenna, the smaller the beam angle α , resulting in fewer interference echoes.
- Mapping
Measurement can be optimized by electronically suppressing interference echoes
- Take into account the orientation of the antenna, the marking on the flange or threaded connection
- A stilling well can be used to avoid interference influences
- Metallic plates mounted at an angle
These plates scatter the radar signals and can therefore reduce interference echoes.

Beam angle



A0016891

18 Relationship between beam angle α , distance D and beam width W

The beam angle is defined as the angle α at which the energy density of the radar waves reaches half the value of the maximum energy density (3dB width). Microwaves are also emitted outside the signal beam and can be reflected off interfering installations.

Beam diameter **W** as a function of beam angle α and distance **D**.

FMR53	
Beam angle α	23°
Distance (D)	Beam diameter W
3 m (9.8 ft)	1.22 m (4 ft)
6 m (20 ft)	2.44 m (8 ft)
9 m (30 ft)	3.66 m (12 ft)
12 m (39 ft)	4.88 m (16 ft)
15 m (49 ft)	6.1 m (20 ft)
20 m (66 ft)	8.14 m (27 ft)

Rod antenna beam angle α 23°

$$W = D \times 0.41$$

The 80 mm (3 in) and 100 mm (4 in) horn antennas were specifically developed for stilling well and bypass applications. The beam angle is not specified as they are not suitable for free-space applications.

FMR54 - horn antenna			
Antenna size	150 mm (6 in)	200 mm (8 in)	250 mm (10 in)
Beam angle α	23°	19°	15°
Distance (D)	Beam diameter W		
3 m (9.8 ft)	1.22 m (4 ft)	1 m (3.3 ft)	0.79 m (2.6 ft)
6 m (20 ft)	2.44 m (8 ft)	2.01 m (6.6 ft)	1.58 m (5.2 ft)
9 m (30 ft)	3.66 m (12 ft)	3.01 m (9.9 ft)	2.37 m (7.8 ft)
12 m (39 ft)	4.88 m (16 ft)	4.02 m (13 ft)	3.16 m (10 ft)
15 m (49 ft)	6.1 m (20 ft)	5.02 m (16 ft)	3.95 m (13 ft)
20 m (66 ft)	8.14 m (27 ft)	6.69 m (22 ft)	5.27 m (17 ft)

Horn antenna 150 mm (6 in), α 23°

$$W = D \times 0.41$$

Horn antenna 200 mm (8 in), α 19°

$$W = D \times 0.33$$

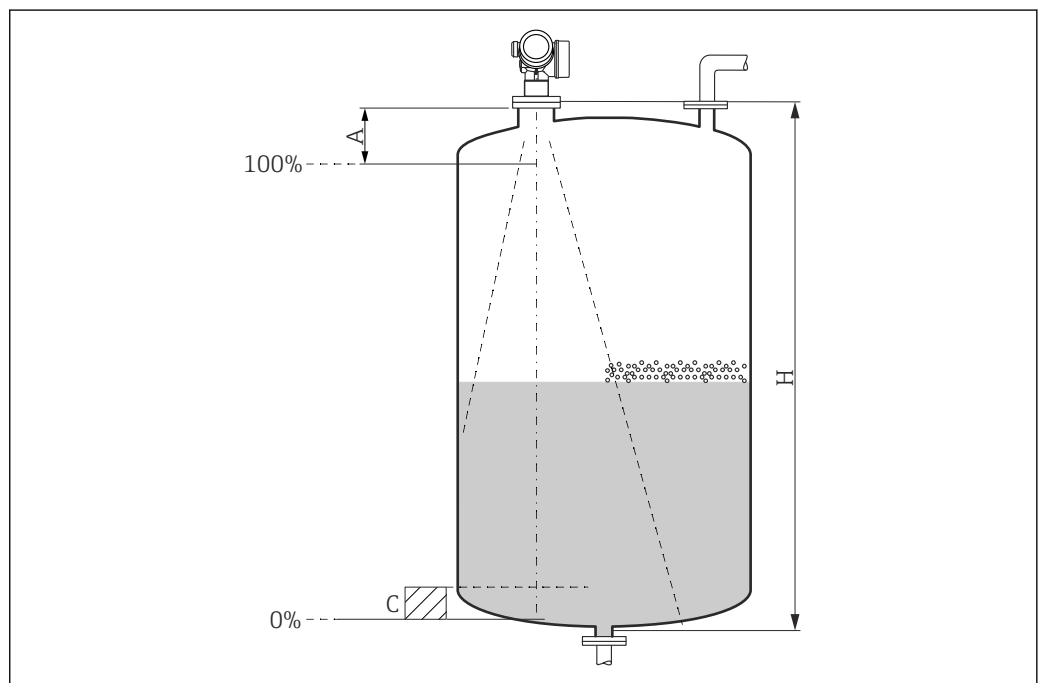
Horn antenna 250 mm (10 in), α 15°

$$W = D \times 0.26$$

Measuring conditions

- Preferably use the FMR53 or FMR54 for **boiling surfaces, bubble formation** or tendency towards **foam formation**. Depending on its consistency, foam can absorb microwaves or reflect them at the foam surface. Measurements are possible under certain conditions. The additional option "Advanced dynamics" is recommended for FMR50, FMR51 and FMR52 in these cases (feature 540: "Application packages", option EM).
- In the event of strong **development of steam** or **condensate**, the max. measuring range of FMR50, FMR51 and FMR52 may decrease depending on the density, temperature and composition of the steam → use FMR53 or FMR54.
- To measure absorbing gases such as **ammonia NH₃** or some **fluorocarbons**, use the Levelflex or Micropilot FMR54 in a stilling well.
 - 📘 The connections affected include R134a, R227, and Dymel 152a for example.

- The measuring range begins where the beam hits the tank bottom. Levels below this point cannot be detected, particularly in the case of torispherical heads or conical outlets.
 - In stilling well applications, it is important to consider that the electromagnetic waves do not propagate completely outside the pipe. Reduced accuracy must be expected within range **C**. If this is not acceptable, we recommend positioning the zero point at a distance **C** above the end of the pipe (see Figure) in these applications.
 - In the case of media with a low $\epsilon_r = 1.5$ to 4, the tank bottom may be visible through the medium at low levels (less than level **C**). Reduced accuracy must be expected in this range. If this is not acceptable, we recommend positioning the zero point at a distance **C** above the tank floor (see Figure) in these applications.
- i** The relative permittivity (ϵ_r values) for many key media used in industry are provided in the DC Manual (CP01076F) and in Endress+Hauser's "DC Values App" (available for Android and iOS).
- In principle it is possible to measure up to the tip of the antenna with FMR51, FMR53 and FMR54. However, due to considerations regarding corrosion and build-up, the end of the measuring range should not be any closer than **A** (see Figure) to the tip of the antenna. In the case of FMR50 and FMR52, the end of the measuring range should not be any closer than **A** (see Figure) to the tip of the antenna, particularly in the event of condensate formation.
 - When using FMR54 with a planar antenna, the end of the measuring range should not be closer than **A: 1 m (3.28 ft)** to the flange, especially in the case of media with a low relative permittivity.
 - The vessel height should be at least **H** (see Table).



A0042709

- A** Horn antenna: antenna length + 50 mm (2 in); min. 200 mm (7.87 in)
A Planar antenna: 1 m (3.28 ft)
C 150 to 300 mm (5.91 to 11.8 in); (water-based medium up to $\epsilon_r = 2$)
H > 1.5 m (4.92 ft)

Mounting cladded flanges



Note the following for cladded flanges:

- Use the same number of flange screws as the number of flange bores provided.
- Tighten the screws with the necessary torque (see Table).
- Retighten after 24 hours or after the first temperature cycle.
- Depending on the process pressure and temperature, check and retighten the screws, where necessary, at regular intervals.

The PTFE flange cladding normally acts simultaneously as a seal between the nozzle and the device flange.

Flange size	Number of screws	Tightening torque
EN		
DN50 PN10/16	4	45 to 65 Nm

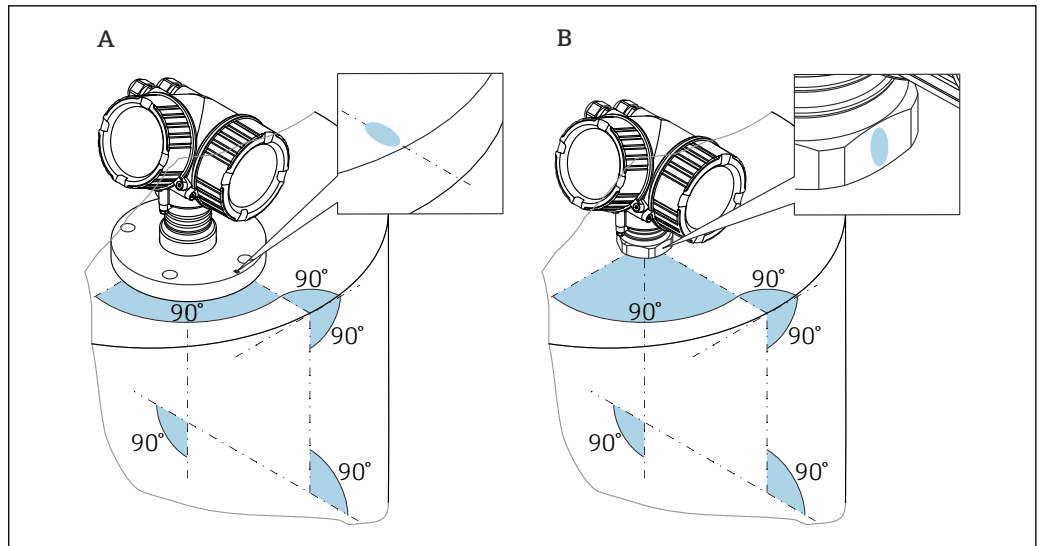
Flange size	Number of screws	Tightening torque
DN50 PN25/40	4	45 to 65 Nm
DN80 PN10/16	8	40 to 55 Nm
DN80 PN25/40	8	40 to 55 Nm
DN100 PN10/16	8	40 to 60 Nm
DN100 PN25/40	8	55 to 80 Nm
DN150 PN10/16	8	75 to 115 Nm
ASME		
NPS 2" Cl.150	4	40 to 55 Nm
NPS 2" Cl.300	8	20 to 30 Nm
NPS 3" Cl.150	4	65 to 95 Nm
NPS 3" Cl.300	8	40 to 55 Nm
NPS 4" Cl.150	8	45 to 70 Nm
NPS 4" Cl.300	8	55 to 80 Nm
NPS 6" Cl.150	8	85 to 125 Nm
NPS 6" Cl.300	12	60 to 90 Nm
NPS 8" Cl.150	8	115 to 170 Nm
NPS 8" Cl.300	12	90 to 135 Nm
JIS		
10K 50A	4	40 to 60 Nm
10K 80A	8	25 to 35 Nm
10K 100A	8	35 to 55 Nm
10K 150A	8	75 to 115 Nm

Free-space installation in vessel

Rod antenna (FMR53)

Alignment

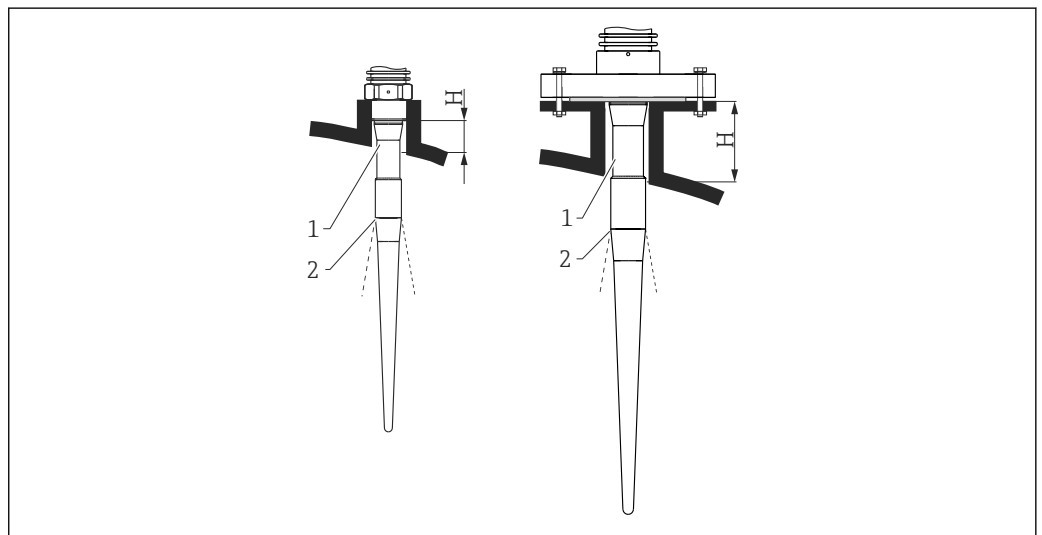
- Align the antenna perpendicular to the product surface.
- A marking is provided on the flange (at a point between the flange holes) or the gland to aid the alignment. This marking must be aligned towards the tank wall as much as possible.



A0018974

i Depending on the device version the marking may be a circle or two parallel lines.

Information concerning nozzles



A0016821

19 Nozzle height for rod antenna (FMR53)

- 1 Antenna inactive length
- 2 Beam exit from here

Length of antenna	390 mm (15.4 in)	540 mm (21.3 in)
Nozzle height H	< 100 mm (3.94 in)	< 250 mm (9.84 in)

i The inactive part (1) of the rod antenna must project out of the nozzle.

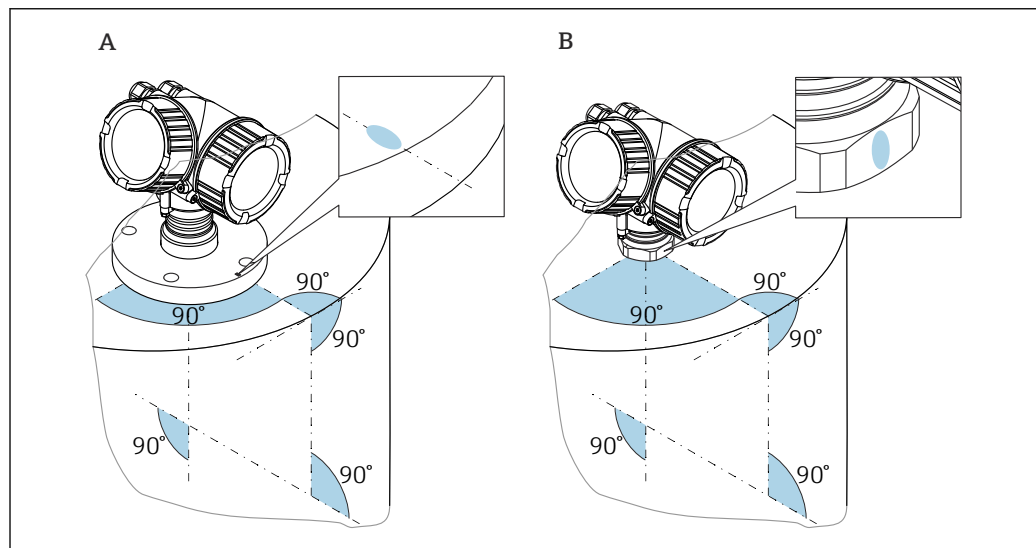
- i**
 - For flanges with PTFE cladding: Observe the instructions for mounting cladded flanges
 - The PTFE flange cladding normally acts simultaneously as a seal between the nozzle and the device flange

Information concerning threaded connections

- Tighten by the hexagonal nut only.
- Tool: open-ended wrench 55 mm
- Maximum permissible torque:
 - PVDF thread: 35 Nm (26 lbf ft)
 - 316L thread: 60 Nm (44 lbf ft)

Horn antenna (FMR54)*Alignment*

- Align the antenna perpendicular to the product surface.
- A marking is provided on the flange (at a point between the flange holes) to aid the alignment. This marking must be aligned towards the tank wall as much as possible.

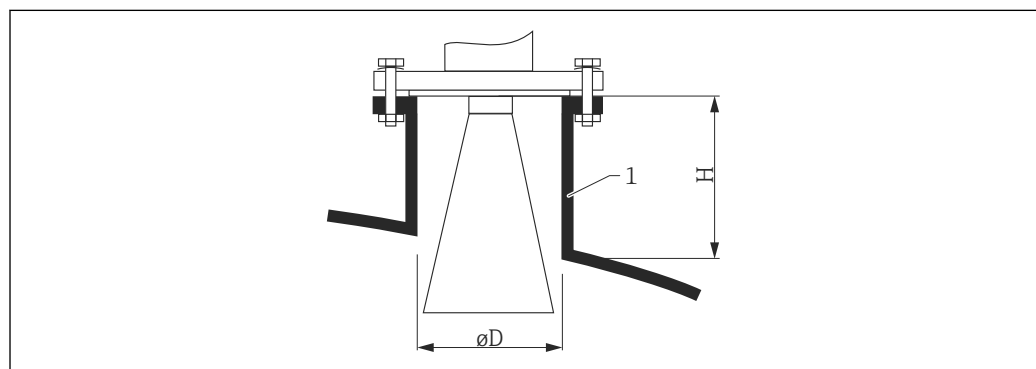


A0018974

i Depending on the device version the marking may be a circle or two parallel lines.

Information concerning nozzles

The horn antenna should project out of the nozzle; if necessary, select the version with 100 to 400 mm (4 to 16 in) antenna extension (accessory).



A0016822

20 Nozzle height and diameter for horn antenna

1 Mounting nozzle

Antenna	ØD	Maximum nozzle height H_{max} (Antenna without antenna extension)
150mm/6"	146 mm (5.75 in)	185 mm (7.28 in)
200mm/8"	191 mm (7.52 in)	268 mm (10.6 in)
250mm/10"	241 mm (9.49 in)	360 mm (14.2 in)

i Antenna versions < 150mm/6" are not suitable for free-space installation in the tank. They should only be used in bypasses or stilling wells.

Measurement from the outside through plastic walls

- Relative permittivity of the medium: $\epsilon_r > 10$
- Use a 250 mm (10 in) antenna if possible.
- The distance from the tip of the antenna to the tank should be approx. 100 mm (4 in).
- If possible, avoid installation positions in which condensate or buildup can form between the antenna and the vessel.
- In the case of outdoor installations, ensure that the area between the antenna and the tank is protected from the weather.
- Do not install any fittings or attachments between the antenna and the tank that could reflect the signal.

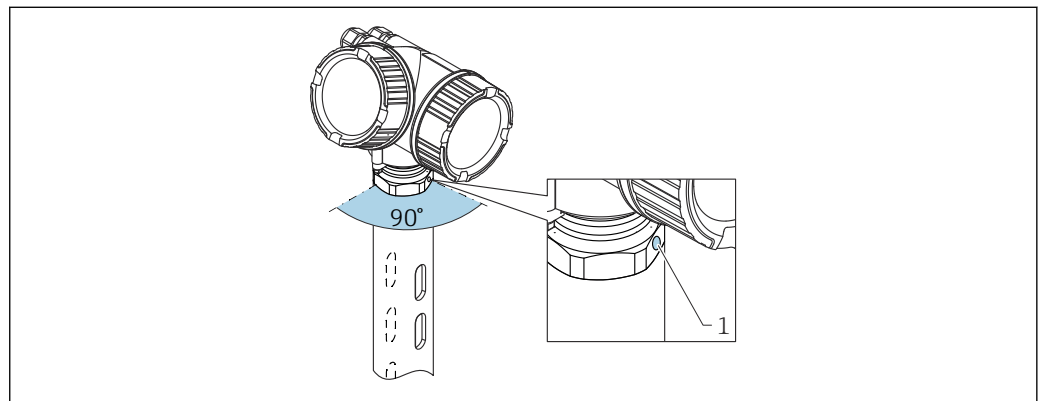
Suitable thickness of the tank ceiling:

Penetrated material	PE	PTFE	PP	Plexiglass
ϵ_r	2.3	2.1	2.3	3.1
Optimum thickness	16 mm (0.65 in)	17 mm (0.68 in)	16 mm (0.65 in)	14 mm (0.56 in)

Planar antenna (FMR54)

The planar antenna is only suitable for installation in a stilling well and cannot be mounted freely in the vessel.

Installation in stilling well




21 Installation in stilling well

1 Marking to align the antenna

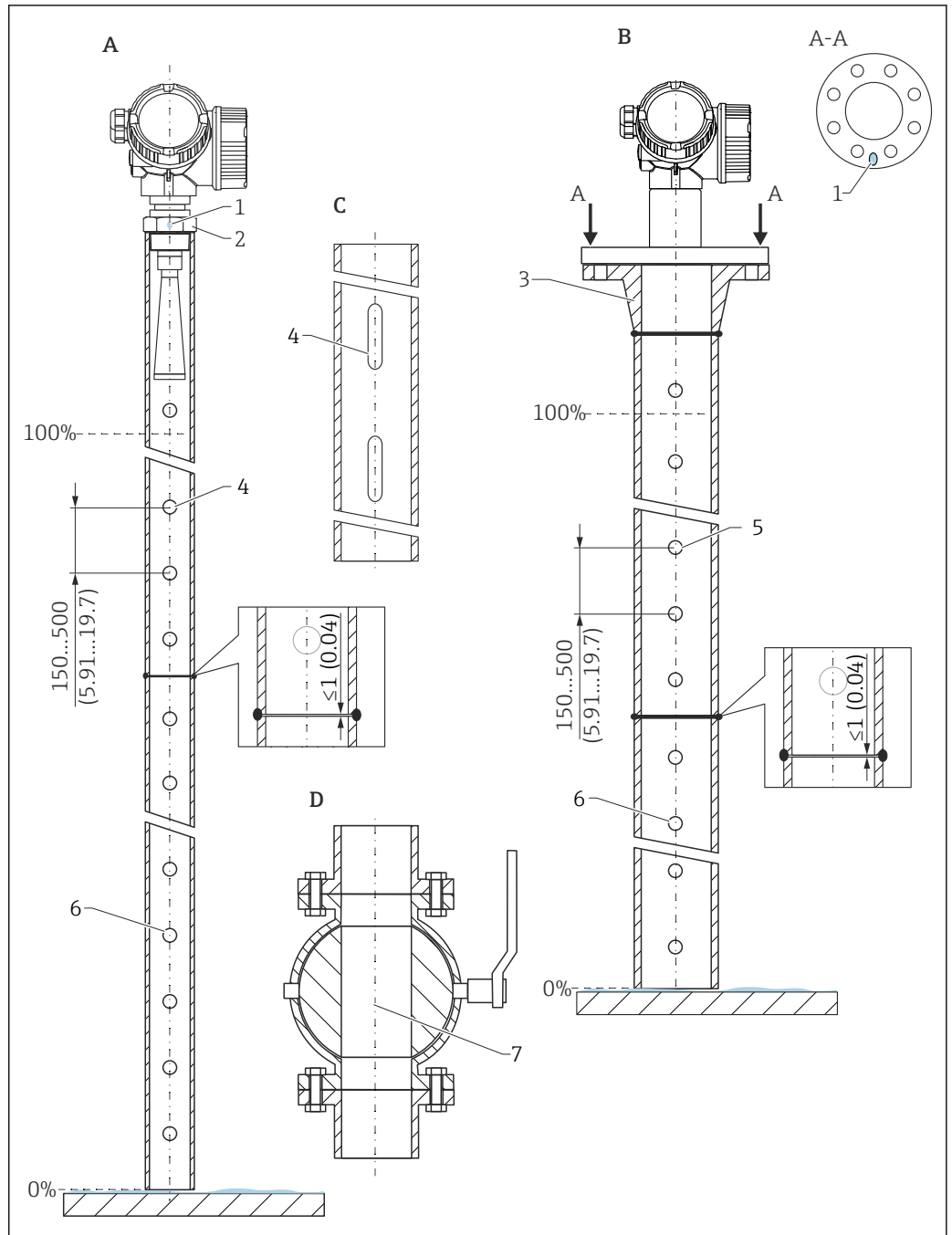
- For the horn antenna: align the marking towards the slot.
- No alignment is required for planar antennas.
- Measurements can be performed through an open full bore ball valve without any problems.
- After mounting, the housing can be turned 350° in order to facilitate access to the display and the terminal compartment.

Recommendations for the stilling well

- Metal (no enamel liner; plastic liner on request).
- Constant diameter.
- Stilling well not larger than antenna diameter.

- Difference in diameter between horn antenna and inner diameter of the stilling well as small as possible.
 - Weld seam as smooth as possible and on the same axis as the slot.
 - Slot offset by 180° (not 90°).
 - Slot width or diameter of holes max. 1/10 of pipe diameter, deburred. The length and number do not affect the measurement.
 - Select a horn antenna that is as big as possible. For intermediate sizes (e.g. 180 mm (7 in)) select the next biggest antenna and adapt it mechanically (for horn antennas).
 - At transition points, e.g. when a ball valve is used or individual pipe segments are joined, any gaps that occur should not exceed 1 mm (0.04 in).
 - The stilling well must be smooth on the inside (average roughness $R_a \leq 6.3 \mu\text{m}$ (248 μin)). Use an extruded or parallel-welded metal pipe as the measuring pipe. The pipe can be extended with welding neck flanges or pipe sleeves. Flush-align the flange and pipe properly on the inside.
 - Do not weld through the pipe wall. The inside of the stilling well must remain smooth. If the pipe is welded through unintentionally, carefully remove and smoothen any weld seams and unevenness on the inside, as otherwise this will cause strong interference echoes and encourage material buildup.
 - In the case of small nominal diameters, in particular, ensure that the flanges are welded to the pipe correctly in line with the orientation (marking aligned towards slot).
-  The performance of the FMR54 with a planar antenna is independent of the orientation and geometry of common stilling wells. Special orientation is not required. However, ensure that the planar antenna is mounted at a right angle to the stilling well axis.

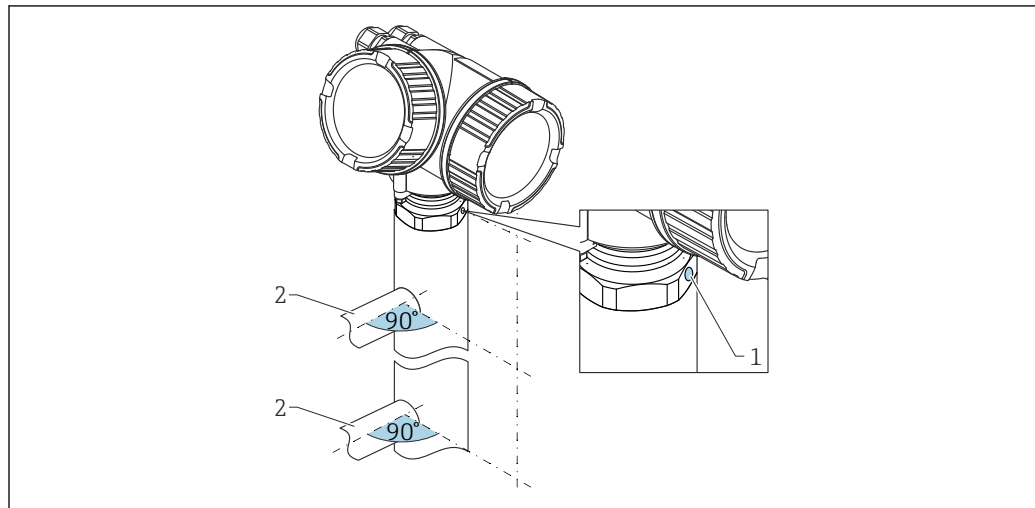
Example for the design of a stilling well



A0019009

- A Micropilot FMR50/FMR51: horn 40 mm (1½")
- B Micropilot FMR50/FMR51/FMR52/FMR54: horn 80 mm (3")
- C Stilling well with slots
- D Full bore ball valve
- 1 Marking for axial alignment
- 2 Threaded connection
- 3 e.g. welding neck flange DIN2633
- 4 Ø bore max. 1/10 Ø pipe
- 5 Ø bore max. 1/10 Ø pipe; on one side or drilled through
- 6 Borehole always deburred
- 7 Opening diameter of ball valve must always correspond to the pipe diameter; avoid edges and constrictions.

Installation in the bypass



A0019446

▣ 22 Installation in the bypass

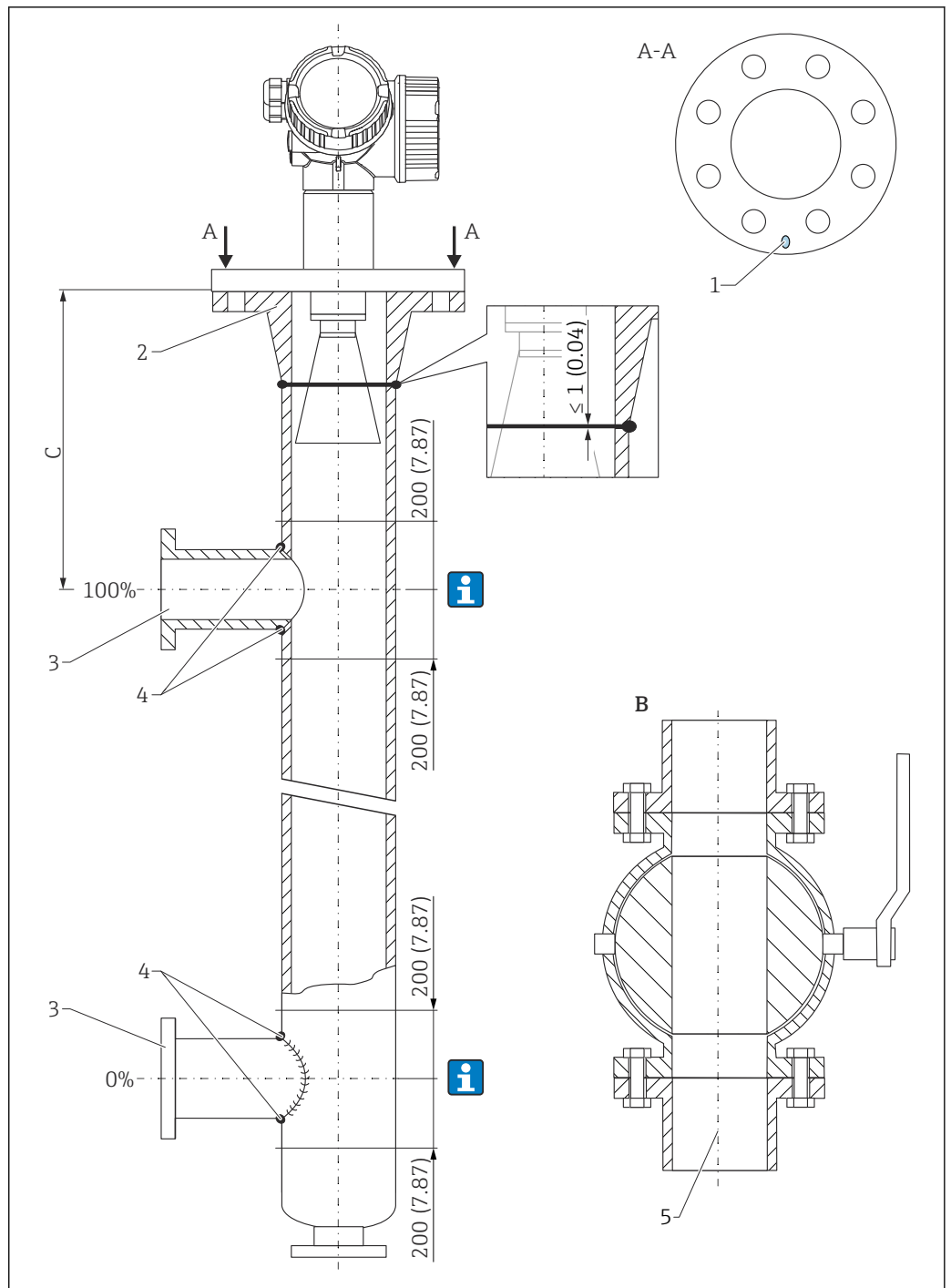
- 1 Marking to align the antenna
2 Tank connectors

- Align the marker at a 90 ° angle to the tank connectors.
- Measurements can be performed through an open full bore ball valve without any problems.
- After mounting, the housing can be turned 350 ° in order to facilitate access to the display and the terminal compartment.

Recommendations for the bypass

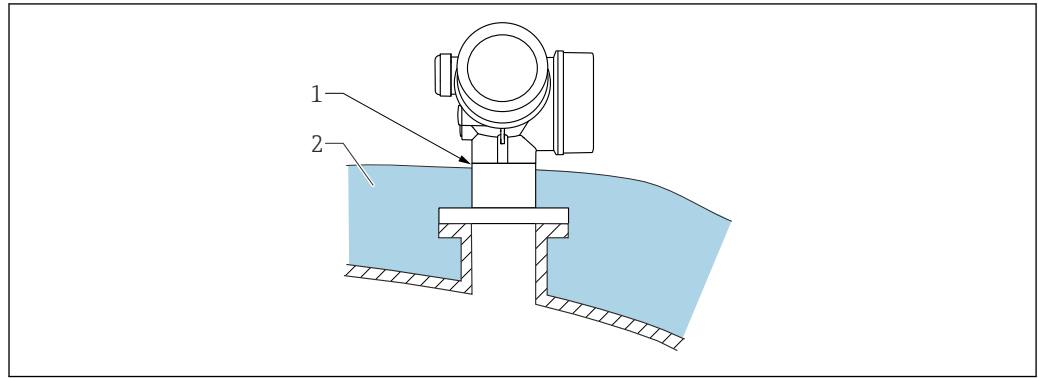
- Metal (no enamel plastic or enamel liner).
- Constant diameter.
- Select a horn antenna that is as big as possible. For intermediate sizes (e.g. 95 mm (3.5 in)) select the next biggest antenna and adapt it mechanically (for horn antennas).
- Difference in diameter between horn antenna and inner diameter of the bypass as small as possible.
- At transition points, e.g. when a ball valve is used or individual pipe segments are joined, any gaps that occur should not exceed 1 mm (0.04 in).
- Reduced measuring accuracy can be expected in the area of the tank connectors (~ ±20 cm (7.87 in)).

Example for the design of a bypass



A0019010

- A Micropilot FMR50/FMR51/FMR52/FMR54: horn 80 mm (3")
- B Full bore ball valve
- C Minimum distance to upper connecting pipe: 400 mm (15.7 in)
- 1 Marking for axial alignment
- 2 e.g. welding neck flange DIN2633
- 3 Diameter of connecting pipes as small as possible
- 4 Do not weld through the pipe wall; the inside of the pipe must remain smooth.
- 5 Opening diameter of ball valve must always correspond to the pipe diameter. Avoid edges and constrictions.

Container with heat insulation

A0032207

If process temperatures are high, the device should be included in the usual container insulation system (2) to prevent the electronics from heating as a result of thermal radiation or convection. The insulation should not be higher than the neck of the device (1).

Environment

Temperature range	Measuring device	-40 to +80 °C (-40 to +176 °F); -50 °C (-58 °F) with manufacturer declaration on request
	Measuring device (option for FMR51, FMR52 and FMR54)	-50 to +80 °C (-58 to +176 °F) ¹⁾
	Local display	-20 to +70 °C (-4 to +158 °F), the readability of the display may be impaired at temperatures outside the temperature range.
	Remote display FHX50	-40 to 80 °C (-40 to 176 °F)
	Remote display FHX50 (option)	-50 to 80 °C (-58 to 176 °F) ¹⁾

1) This range applies if the option JN "Transmitter ambient temperature -50 °C (-58 °F)" has been selected in order code 580 "Test, certificate. If the temperature is permanently below -40 °C (-40 °F), the chance of failure increases.

For outdoor operation in strong sunlight:

- Mount the device in the shade.
- Avoid direct sunlight, particularly in warm climatic regions.
- Use a weather protection cover (see accessories).

Temperature limit



The following diagrams only consider functional aspects. Additional restrictions may apply for certified device versions.

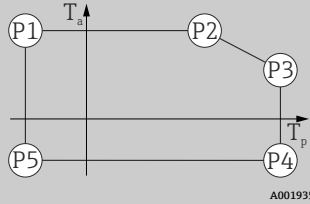
In the event of temperature (T_p) at the process connection, the permitted ambient temperature (T_a) is reduced as indicated in the following diagram (temperature derating) in the table header.

Information on the following derating tables

Feature version	Meaning
A	2-wire; 4-20 mA HART
B	2-wire; 4-20 mA HART, switch output
C	2-wire; 4-20 mA HART, 4-20 mA
E	2-wire; FF, switch output
G	2-wire; PA, switch output
K	4-wire 90-253VAC; 4-20 mA HART
L	4-wire 10, 4-48VDC; 4-20 mA HART

FMR53 Process connection: PVDF thread Housing GT18 (316 L) Temperature specifications: °C (°F)												
Power supply; output (item 2 in the product structure)	P1		P2		P3		P4		P5		P6	
	T_p	T_a	T_p	T_a	T_p	T_a	T_p	T_a	T_p	T_a	T_p	T_a
A	-40 (-40)	80 (176)	80 (176)	80 (176)	80 (176)	80 (176)	80 (176)	-40 (-40)	-40 (-40)	-40 (-40)	-	-
B Switch output not used	-40 (-40)	80 (176)	80 (176)	80 (176)	80 (176)	80 (176)	80 (176)	-40 (-40)	-40 (-40)	-40 (-40)	-	-
B Switch output used	-40 (-40)	77 (171)	77 (171)	77 (171)	80 (176)	76 (169)	80 (176)	-40 (-40)	-40 (-40)	-40 (-40)	-	-

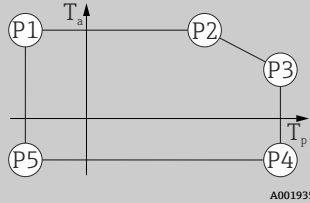
FMR53
 Process connection: PVDF thread
 Housing GT18 (316 L)
 Temperature specifications: °C (°F)



A0019351

Power supply; output (item 2 in the product structure)	P1		P2		P3		P4		P5		P6	
	T _p	T _a	T _p	T _a	T _p	T _a	T _p	T _a	T _p	T _a	T _p	T _a
C Channel 2 not used	-40 (-40)	80 (176)	80 (176)	80 (176)	80 (176)	80 (176)	80 (176)	-40 (-40)	-40 (-40)	-40 (-40)	-	-
C Channel 2 used	-40 (-40)	79 (174)	79 (174)	79 (174)	80 (176)	79 (174)	80 (176)	-40 (-40)	-40 (-40)	-40 (-40)	-	-
E, G Switch output not used	-40 (-40)	80 (176)	80 (176)	80 (176)	80 (176)	80 (176)	80 (176)	-40 (-40)	-40 (-40)	-40 (-40)	-	-
E, G Switch output used	-40 (-40)	78 (172)	78 (172)	78 (172)	80 (176)	78 (172)	80 (176)	-40 (-40)	-40 (-40)	-40 (-40)	-	-
K, L	-40 (-40)	77 (171)	77 (171)	77 (171)	80 (176)	77 (171)	80 (176)	-40 (-40)	-40 (-40)	-40 (-40)	-	-

FMR53
 Process connection: PVDF thread
 GT19 housing (plastic PBT)
 Temperature specifications: °C (°F)



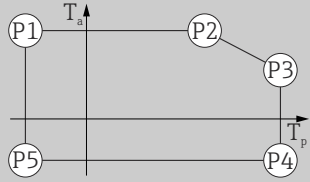
A0019351

Power supply; output (item 2 in the product structure)	P1		P2		P3		P4		P5		P6	
	T _p	T _a	T _p	T _a	T _p	T _a	T _p	T _a	T _p	T _a	T _p	T _a
A	-40 (-40)	80 (176)	80 (176)	80 (176)	80 (176)	80 (176)	80 (176)	-40 (-40)	-40 (-40)	-40 (-40)	-	-
B Switch output not used	-40 (-40)	76 (169)	76 (169)	76 (169)	80 (176)	75 (167)	80 (176)	-40 (-40)	-40 (-40)	-40 (-40)	-	-
B Switch output used	-40 (-40)	60 (140)	60 (140)	60 (140)	80 (176)	58 (136)	80 (176)	-40 (-40)	-40 (-40)	-40 (-40)	-	-
C Channel 2 not used	-40 (-40)	80 (176)	80 (176)	80 (176)	80 (176)	80 (176)	80 (176)	-40 (-40)	-40 (-40)	-40 (-40)	-	-
C Channel 2 used	-40 (-40)	74 (165)	74 (165)	74 (165)	80 (176)	73 (163)	80 (176)	-40 (-40)	-40 (-40)	-40 (-40)	-	-
E, G Switch output not used	-40 (-40)	79 (174)	79 (174)	79 (174)	80 (176)	79 (173)	80 (176)	-40 (-40)	-40 (-40)	-40 (-40)	-	-
E, G Switch output used	-40 (-40)	63 (145)	63 (145)	63 (145)	80 (176)	60 (140)	80 (176)	-40 (-40)	-40 (-40)	-40 (-40)	-	-

FMR53 Process connection: PVDF thread Housing GT20 (aluminum coated) Temperature specifications: °C (°F)												
<small>A0019351</small>												
Power supply; output (item 2 in the product structure)	P1		P2		P3		P4		P5		P6	
	T _p	T _a	T _p	T _a	T _p	T _a	T _p	T _a	T _p	T _a	T _p	T _a
A	-40 (-40)	80 (176)	80 (176)	80 (176)	80 (176)	80 (176)	80 (176)	-40 (-40)	-40 (-40)	-40 (-40)	-	-
B Switch output not used	-40 (-40)	80 (176)	80 (176)	80 (176)	80 (176)	80 (176)	80 (176)	-40 (-40)	-40 (-40)	-40 (-40)	-	-
B Switch output used	-40 (-40)	77 (171)	77 (171)	77 (171)	80 (176)	76 (169)	80 (176)	-40 (-40)	-40 (-40)	-40 (-40)	-	-
C Channel 2 not used	-40 (-40)	80 (176)	80 (176)	80 (176)	80 (176)	80 (176)	80 (176)	-40 (-40)	-40 (-40)	-40 (-40)	-	-
C Channel 2 used	-40 (-40)	79 (174)	79 (174)	79 (174)	80 (176)	79 (174)	80 (176)	-40 (-40)	-40 (-40)	-40 (-40)	-	-
E, G Switch output not used	-40 (-40)	80 (176)	80 (176)	80 (176)	80 (176)	80 (176)	80 (176)	-40 (-40)	-40 (-40)	-40 (-40)	-	-
E, G Switch output used	-40 (-40)	78 (172)	78 (172)	78 (172)	80 (176)	78 (172)	80 (176)	-40 (-40)	-40 (-40)	-40 (-40)	-	-
K, L	-40 (-40)	77 (171)	77 (171)	77 (171)	80 (176)	77 (171)	80 (176)	-40 (-40)	-40 (-40)	-40 (-40)	-	-

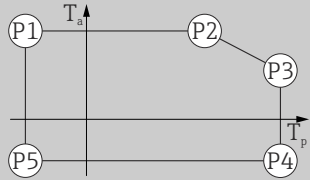
FMR53 Process connection: ■ Thread 316L ■ Flange Housing GT18 (316 L) Temperature specifications: °C (°F)												
<small>A0019351</small>												
Power supply; output (item 2 in the product structure)	P1		P2		P3		P4		P5		P6	
	T _p	T _a	T _p	T _a	T _p	T _a	T _p	T _a	T _p	T _a	T _p	T _a
A	-40 (-40)	81 (178)	81 (178)	81 (178)	150 (302)	65 (149)	150 (302)	-40 (-40)	-40 (-40)	-40 (-40)	-	-
B Switch output not used	-40 (-40)	82 (180)	82 (180)	82 (180)	150 (302)	66 (151)	150 (302)	-40 (-40)	-40 (-40)	-40 (-40)	-	-
B Switch output used	-40 (-40)	77 (171)	77 (171)	77 (171)	150 (302)	59 (138)	150 (302)	-40 (-40)	-40 (-40)	-40 (-40)	-	-
C Channel 2 not used	-40 (-40)	82 (180)	82 (180)	82 (180)	150 (302)	66 (151)	150 (302)	-40 (-40)	-40 (-40)	-40 (-40)	-	-
C Channel 2 used	-40 (-40)	79 (174)	79 (174)	79 (174)	150 (302)	62 (144)	150 (302)	-40 (-40)	-40 (-40)	-40 (-40)	-	-
E, G Switch output not used	-40 (-40)	82 (180)	82 (180)	82 (180)	150 (302)	67 (153)	150 (302)	-40 (-40)	-40 (-40)	-40 (-40)	-	-
E, G Switch output used	-40 (-40)	78 (172)	78 (172)	78 (172)	150 (302)	61 (142)	150 (302)	-40 (-40)	-40 (-40)	-40 (-40)	-	-
K, L	-40 (-40)	77 (171)	77 (171)	77 (171)	150 (302)	60 (140)	150 (302)	-40 (-40)	-40 (-40)	-40 (-40)	-	-

FMR53
Process connection:
 ■ Thread 316L
 ■ Flange
GT19 housing (plastic PBT)
Temperature specifications: °C (°F)



Power supply; output (item 2 in the product structure)	P1		P2		P3		P4		P5		P6	
	T _p	T _a	T _p	T _a	T _p	T _a	T _p	T _a	T _p	T _a	T _p	T _a
A	-40 (-40)	80 (176)	80 (176)	80 (176)	150 (302)	55 (131)	150 (302)	-40 (-40)	-40 (-40)	-40 (-40)	-	-
B Switch output not used	-40 (-40)	76 (169)	76 (169)	76 (169)	150 (302)	55 (131)	150 (302)	-40 (-40)	-40 (-40)	-40 (-40)	-	-
B Switch output used	-40 (-40)	60 (140)	60 (140)	60 (140)	150 (302)	37 (99)	150 (302)	-40 (-40)	-40 (-40)	-40 (-40)	-	-
C Channel 2 not used	-40 (-40)	82 (180)	82 (180)	82 (180)	150 (302)	55 (131)	150 (302)	-40 (-40)	-40 (-40)	-40 (-40)	-	-
C Channel 2 used	-40 (-40)	74 (165)	74 (165)	74 (165)	150 (302)	54 (129)	150 (302)	-40 (-40)	-40 (-40)	-40 (-40)	-	-
E, G Switch output not used	-40 (-40)	79 (174)	79 (174)	79 (174)	150 (302)	55 (131)	150 (302)	-40 (-40)	-40 (-40)	-40 (-40)	-	-
E, G Switch output used	-40 (-40)	63 (145)	63 (145)	63 (145)	150 (302)	40 (104)	150 (302)	-40 (-40)	-40 (-40)	-40 (-40)	-	-

FMR53
Process connection:
 ■ Thread 316L
 ■ Flange
Housing GT20 (aluminum coated)
Temperature specifications: °C (°F)



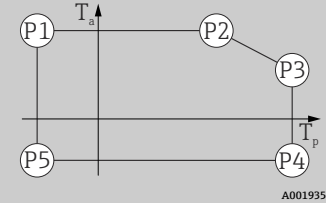
Power supply; output (item 2 in the product structure)	P1		P2		P3		P4		P5		P6	
	T _p	T _a	T _p	T _a	T _p	T _a	T _p	T _a	T _p	T _a	T _p	T _a
A	-40 (-40)	81 (178)	81 (178)	81 (178)	150 (302)	68 (154)	150 (302)	-40 (-40)	-40 (-40)	-40 (-40)	-	-
B Switch output not used	-40 (-40)	82 (180)	82 (180)	82 (180)	150 (302)	69 (156)	150 (302)	-40 (-40)	-40 (-40)	-40 (-40)	-	-
B Switch output used	-40 (-40)	77 (171)	77 (171)	77 (171)	150 (302)	63 (145)	150 (302)	-40 (-40)	-40 (-40)	-40 (-40)	-	-
C Channel 2 not used	-40 (-40)	82 (180)	82 (180)	82 (180)	150 (302)	69 (156)	150 (302)	-40 (-40)	-40 (-40)	-40 (-40)	-	-
C Channel 2 used	-40 (-40)	79 (174)	79 (174)	79 (174)	150 (302)	65 (149)	150 (302)	-40 (-40)	-40 (-40)	-40 (-40)	-	-
E, G Switch output not used	-40 (-40)	83 (181)	83 (181)	83 (181)	150 (302)	70 (158)	150 (302)	-40 (-40)	-40 (-40)	-40 (-40)	-	-
E, G Switch output used	-40 (-40)	78 (172)	78 (172)	78 (172)	150 (302)	64 (147)	150 (302)	-40 (-40)	-40 (-40)	-40 (-40)	-	-
K, L	-40 (-40)	77 (171)	77 (171)	77 (171)	150 (302)	64 (147)	150 (302)	-40 (-40)	-40 (-40)	-40 (-40)	-	-

FMR54
Horn antenna

Seal:

- Viton
- EPDM
- Kalrez

Housing GT18 (316 L)
Temperature specifications: °C (°F)



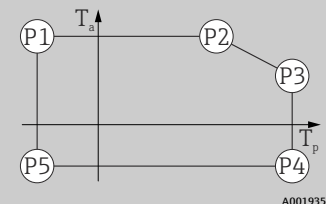
Power supply; output (item 2 in the product structure)	P1		P2		P3		P4		P5		P6	
	T _p	T _a	T _p	T _a	T _p	T _a	T _p	T _a	T _p	T _a	T _p	T _a
A	-40 (-40)	81 (178)	81 (178)	81 (178)	200 (392)	52 (126)	200 (392)	-40 (-40)	-40 (-40)	-40 (-40)	-	-
B Switch output not used	-40 (-40)	82 (180)	82 (180)	82 (180)	200 (392)	52 (126)	200 (392)	-40 (-40)	-40 (-40)	-40 (-40)	-	-
B Switch output used	-40 (-40)	77 (171)	77 (171)	77 (171)	200 (392)	46 (115)	200 (392)	-40 (-40)	-40 (-40)	-40 (-40)	-	-
C Channel 2 not used	-40 (-40)	82 (180)	82 (180)	82 (180)	200 (392)	52 (126)	200 (392)	-40 (-40)	-40 (-40)	-40 (-40)	-	-
C Channel 2 used	-40 (-40)	79 (174)	79 (174)	79 (174)	200 (392)	49 (120)	200 (392)	-40 (-40)	-40 (-40)	-40 (-40)	-	-
E, G Switch output not used	-40 (-40)	83 (181)	83 (181)	83 (181)	200 (392)	52 (126)	200 (392)	-40 (-40)	-40 (-40)	-40 (-40)	-	-
E, G Switch output used	-40 (-40)	78 (172)	78 (172)	78 (172)	200 (392)	48 (118)	200 (392)	-40 (-40)	-40 (-40)	-40 (-40)	-	-
K, L	-40 (-40)	77 (171)	77 (171)	77 (171)	200 (392)	47 (117)	200 (392)	-40 (-40)	-40 (-40)	-40 (-40)	-	-

FMR54
Horn antenna

Seal:

- Viton
- EPDM
- Kalrez

GT19 housing (plastic PBT)
Temperature specifications: °C (°F)

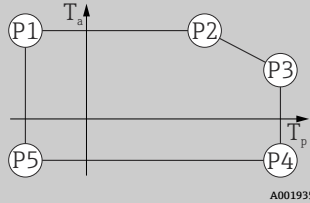


Power supply; output (item 2 in the product structure)	P1		P2		P3		P4		P5		P6	
	T _p	T _a	T _p	T _a	T _p	T _a	T _p	T _a	T _p	T _a	T _p	T _a
A	-40 (-40)	80 (176)	80 (176)	80 (176)	200 (392)	29 (84)	200 (392)	-40 (-40)	-40 (-40)	-40 (-40)	-	-
B Switch output not used	-40 (-40)	76 (169)	76 (169)	76 (169)	200 (392)	29 (84)	200 (392)	-40 (-40)	-40 (-40)	-40 (-40)	-	-
B Switch output used	-40 (-40)	60 (140)	60 (140)	60 (140)	200 (392)	23 (73)	200 (392)	-40 (-40)	-40 (-40)	-40 (-40)	-	-
C Channel 2 not used	-40 (-40)	82 (180)	82 (180)	82 (180)	200 (392)	29 (84)	200 (392)	-40 (-40)	-40 (-40)	-40 (-40)	-	-
C Channel 2 used	-40 (-40)	74 (165)	74 (165)	74 (165)	200 (392)	29 (84)	200 (392)	-40 (-40)	-40 (-40)	-40 (-40)	-	-
E, G Switch output not used	-40 (-40)	79 (174)	79 (174)	79 (174)	200 (392)	29 (84)	200 (392)	-40 (-40)	-40 (-40)	-40 (-40)	-	-
E, G Switch output used	-40 (-40)	63 (145)	63 (145)	63 (145)	200 (392)	26 (79)	200 (392)	-40 (-40)	-40 (-40)	-40 (-40)	-	-

FMR54
Horn antenna
Seal:

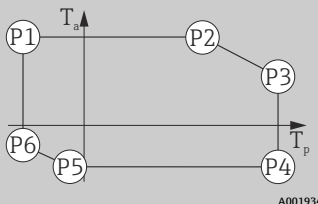
- Viton
- EPDM
- Kalrez

Housing GT20 (aluminum coated)
Temperature specifications: °C (°F)



Power supply; output (item 2 in the product structure)	P1		P2		P3		P4		P5		P6	
	T _p	T _a	T _p	T _a	T _p	T _a	T _p	T _a	T _p	T _a	T _p	T _a
A	-40 (-40)	81 (178)	81 (178)	81 (178)	200 (392)	57 (135)	200 (392)	-40 (-40)	-40 (-40)	-40 (-40)	-	-
B Switch output not used	-40 (-40)	82 (180)	82 (180)	82 (180)	200 (392)	58 (136)	200 (392)	-40 (-40)	-40 (-40)	-40 (-40)	-	-
B Switch output used	-40 (-40)	77 (171)	77 (171)	77 (171)	200 (392)	52 (126)	200 (392)	-40 (-40)	-40 (-40)	-40 (-40)	-	-
C Channel 2 not used	-40 (-40)	82 (180)	82 (180)	82 (180)	200 (392)	58 (136)	200 (392)	-40 (-40)	-40 (-40)	-40 (-40)	-	-
C Channel 2 used	-40 (-40)	79 (174)	79 (174)	79 (174)	200 (392)	54 (129)	200 (392)	-40 (-40)	-40 (-40)	-40 (-40)	-	-
E, G Switch output not used	-40 (-40)	83 (181)	83 (181)	83 (181)	200 (392)	58 (136)	200 (392)	-40 (-40)	-40 (-40)	-40 (-40)	-	-
E, G Switch output used	-40 (-40)	78 (172)	78 (172)	78 (172)	200 (392)	54 (129)	200 (392)	-40 (-40)	-40 (-40)	-40 (-40)	-	-
K, L	-40 (-40)	77 (171)	77 (171)	77 (171)	200 (392)	53 (127)	200 (392)	-40 (-40)	-40 (-40)	-40 (-40)	-	-

FMR54
Horn antenna
Seal: graphite -196 to 280 °C (-321 to 536 °F)
Housing GT18 (316 L)
Temperature specifications: °C (°F)



Power supply; output (item 2 in the product structure)	P1		P2		P3		P4		P5		P6	
	T _p	T _a	T _p	T _a	T _p	T _a	T _p	T _a	T _p	T _a	T _p	T _a
A	-196 (-321)	81 (178)	81 (178)	81 (178)	280 (536)	46 (115)	280 (536)	-40 (-40) ¹⁾	-40 (-40) ¹⁾	-40 (-40) ¹⁾	-196 (-321)	-4 (25)
B Switch output not used	-196 (-321)	82 (180)	82 (180)	82 (180)	280 (536)	46 (115)	280 (536)	-40 (-40) ¹⁾	-40 (-40) ¹⁾	-40 (-40) ¹⁾	-196 (-321)	-4 (25)
B Switch output used	-196 (-321)	77 (171)	77 (171)	77 (171)	280 (536)	42 (108)	280 (536)	-40 (-40) ¹⁾	-40 (-40) ¹⁾	-40 (-40) ¹⁾	-196 (-321)	-4 (25)
C Channel 2 not used	-196 (-321)	82 (180)	82 (180)	82 (180)	280 (536)	46 (115)	280 (536)	-40 (-40) ¹⁾	-40 (-40) ¹⁾	-40 (-40) ¹⁾	-196 (-321)	-4 (25)
C Channel 2 used	-196 (-321)	79 (174)	79 (174)	79 (174)	280 (536)	44 (111)	280 (536)	-40 (-40) ¹⁾	-40 (-40) ¹⁾	-40 (-40) ¹⁾	-196 (-321)	-4 (25)
E, G Switch output not used	-196 (-321)	83 (181)	83 (181)	83 (181)	280 (536)	46 (115)	280 (536)	-40 (-40) ¹⁾	-40 (-40) ¹⁾	-40 (-40) ¹⁾	-196 (-321)	-4 (25)
E, G Switch output used	-196 (-321)	78 (172)	78 (172)	78 (172)	280 (536)	44 (111)	280 (536)	-40 (-40) ¹⁾	-40 (-40) ¹⁾	-40 (-40) ¹⁾	-196 (-321)	-4 (25)
K, L	-196 (-321)	77 (171)	77 (171)	77 (171)	280 (536)	43 (109)	280 (536)	-40 (-40) ¹⁾	-40 (-40) ¹⁾	-40 (-40) ¹⁾	-196 (-321)	-4 (25)

1) -50 °C (-58 °F) for order code 580 ("Test, certificate") = JN ("Transmitter ambient temperature -50°C/-58°F")

FMR54 Horn antenna Seal: graphite -196 to 280 °C (-321 to 536 °F) GT19 housing (plastic PBT) Temperature specifications: °C (°F)												
<small>A0019344</small>												
Power supply; output (item 2 in the product structure)	P1		P2		P3		P4		P5		P6	
	T _p	T _a	T _p	T _a	T _p	T _a	T _p	T _a	T _p	T _a	T _p	T _a
A	-196 (-321)	80 (176)	80 (176)	80 (176)	280 (536)	13 (55)	280 (536)	-40 (-40)	-40 (-40)	-40 (-40)	-196 (-321)	18 (64)
B Switch output not used	-196 (-321)	76 (169)	76 (169)	76 (169)	280 (536)	13 (55)	280 (536)	-40 (-40)	-40 (-40)	-40 (-40)	-196 (-321)	18 (64)
B Switch output used	-196 (-321)	60 (140)	60 (140)	60 (140)	280 (536)	13 (55)	280 (536)	-40 (-40)	-40 (-40)	-40 (-40)	-196 (-321)	18 (64)
C Channel 2 not used	-196 (-321)	82 (180)	82 (180)	82 (180)	280 (536)	13 (55)	280 (536)	-40 (-40)	-40 (-40)	-40 (-40)	-196 (-321)	18 (64)
C Channel 2 used	-196 (-321)	74 (165)	74 (165)	74 (165)	280 (536)	13 (55)	280 (536)	-40 (-40)	-40 (-40)	-40 (-40)	-196 (-321)	18 (64)
E, G Switch output not used	-196 (-321)	79 (174)	79 (174)	79 (174)	280 (536)	13 (55)	280 (536)	-40 (-40)	-40 (-40)	-40 (-40)	-196 (-321)	18 (64)
E, G Switch output used	-196 (-321)	63 (145)	63 (145)	63 (145)	280 (536)	13 (55)	280 (536)	-40 (-40)	-40 (-40)	-40 (-40)	-196 (-321)	18 (64)

FMR54 Horn antenna Seal: graphite -196 to 280 °C (-321 to 536 °F) Housing GT20 (aluminum coated) Temperature specifications: °C (°F)												
<small>A0019344</small>												
Power supply; output (item 2 in the product structure)	P1		P2		P3		P4		P5		P6	
	T _p	T _a	T _p	T _a	T _p	T _a	T _p	T _a	T _p	T _a	T _p	T _a
A	-196 (-321)	81 (178)	81 (178)	81 (178)	280 (536)	54 (129)	280 (536)	-40 (-40) ¹⁾	-40 (-40) ¹⁾	-40 (-40) ¹⁾	-196 (-321)	-15 (+5)
B Switch output not used	-196 (-321)	82 (180)	82 (180)	82 (180)	280 (536)	54 (129)	280 (536)	-40 (-40) ¹⁾	-40 (-40) ¹⁾	-40 (-40) ¹⁾	-196 (-321)	-15 (+5)
B Switch output used	-196 (-321)	77 (171)	77 (171)	77 (171)	280 (536)	49 (120)	280 (536)	-40 (-40) ¹⁾	-40 (-40) ¹⁾	-40 (-40) ¹⁾	-196 (-321)	-15 (+5)
C Channel 2 not used	-196 (-321)	82 (180)	82 (180)	82 (180)	280 (536)	54 (129)	280 (536)	-40 (-40) ¹⁾	-40 (-40) ¹⁾	-40 (-40) ¹⁾	-196 (-321)	-15 (+5)
C Channel 2 used	-196 (-321)	79 (174)	79 (174)	79 (174)	280 (536)	51 (124)	280 (536)	-40 (-40) ¹⁾	-40 (-40) ¹⁾	-40 (-40) ¹⁾	-196 (-321)	-15 (+5)
E, G Switch output not used	-196 (-321)	83 (181)	83 (181)	83 (181)	280 (536)	54 (129)	280 (536)	-40 (-40) ¹⁾	-40 (-40) ¹⁾	-40 (-40) ¹⁾	-196 (-321)	-15 (+5)
E, G Switch output used	-196 (-321)	78 (172)	78 (172)	78 (172)	280 (536)	50 (122)	280 (536)	-40 (-40) ¹⁾	-40 (-40) ¹⁾	-40 (-40) ¹⁾	-196 (-321)	-15 (+5)
K, L	-196 (-321)	77 (171)	77 (171)	77 (171)	280 (536)	50 (122)	280 (536)	-40 (-40) ¹⁾	-40 (-40) ¹⁾	-40 (-40) ¹⁾	-196 (-321)	-15 (+5)

1) -50 °C (-58 °F) for order code 580 ("Test, certificate") = JN ("Transmitter ambient temperature -50°C/-58°F")

FMR54 Horn antenna Seal: graphite -196 to 400 °C (-321 to 752 °F) Housing GT18 (316 L) Temperature specifications: °C (°F)												
A0019344												
Power supply; output (item 2 in the product structure)	P1		P2		P3		P4		P5		P6	
	T _p	T _a	T _p	T _a	T _p	T _a	T _p	T _a	T _p	T _a	T _p	T _a
A	-196 (-321)	81 (178)	81 (178)	81 (178)	400 (752)	31 (88)	400 (752)	-40 (-40) ¹⁾	-40 (-40) ¹⁾	-40 (-40) ¹⁾	-196 (-321)	-13 (+9)
B Switch output not used	-196 (-321)	82 (180)	82 (180)	82 (180)	400 (752)	31 (88)	400 (752)	-40 (-40) ¹⁾	-40 (-40) ¹⁾	-40 (-40) ¹⁾	-196 (-321)	-13 (+9)
B Switch output used	-196 (-321)	77 (171)	77 (171)	77 (171)	400 (752)	29 (84)	400 (752)	-40 (-40) ¹⁾	-40 (-40) ¹⁾	-40 (-40) ¹⁾	-196 (-321)	-13 (+9)
C Channel 2 not used	-196 (-321)	82 (180)	82 (180)	82 (180)	400 (752)	31 (88)	400 (752)	-40 (-40) ¹⁾	-40 (-40) ¹⁾	-40 (-40) ¹⁾	-196 (-321)	-13 (+9)
C Channel 2 used	-196 (-321)	79 (174)	79 (174)	79 (174)	400 (752)	31 (88)	400 (752)	-40 (-40) ¹⁾	-40 (-40) ¹⁾	-40 (-40) ¹⁾	-196 (-321)	-13 (+9)
E, G Switch output not used	-196 (-321)	83 (181)	83 (181)	83 (181)	400 (752)	31 (88)	400 (752)	-40 (-40) ¹⁾	-40 (-40) ¹⁾	-40 (-40) ¹⁾	-196 (-321)	-13 (+9)
E, G Switch output used	-196 (-321)	78 (172)	78 (172)	78 (172)	400 (752)	31 (88)	400 (752)	-40 (-40) ¹⁾	-40 (-40) ¹⁾	-40 (-40) ¹⁾	-196 (-321)	-13 (+9)
K, L	-196 (-321)	77 (171)	77 (171)	77 (171)	400 (752)	30 (86)	400 (752)	-40 (-40) ¹⁾	-40 (-40) ¹⁾	-40 (-40) ¹⁾	-196 (-321)	-13 (+9)

1) -50 °C (-58 °F) for order code 580 ("Test, certificate") = JN ("Transmitter ambient temperature -50°C/-58°F")

FMR54 Horn antenna Seal: graphite -196 to 400 °C (-321 to 752 °F) GT19 housing (plastic PBT) Temperature specifications: °C (°F)												
A0019344												
Power supply; output (item 2 in the product structure)	P1		P2		P3		P4		P5		P6	
	T _p	T _a	T _p	T _a	T _p	T _a	T _p	T _a	T _p	T _a	T _p	T _a
A	-196 (-321)	80 (176)	80 (176)	80 (176)	400 (752)	-19 (-2)	400 (752)	-40 (-40)	-40 (-40)	-40 (-40)	-196 (-321)	11 (52)
B Switch output not used	-196 (-321)	76 (169)	76 (169)	76 (169)	400 (752)	-19 (-2)	400 (752)	-40 (-40)	-40 (-40)	-40 (-40)	-196 (-321)	11 (52)
B Switch output used	-196 (-321)	60 (140)	60 (140)	60 (140)	400 (752)	-19 (-2)	400 (752)	-40 (-40)	-40 (-40)	-40 (-40)	-196 (-321)	11 (52)
C Channel 2 not used	-196 (-321)	82 (180)	82 (180)	82 (180)	400 (752)	-19 (-2)	400 (752)	-40 (-40)	-40 (-40)	-40 (-40)	-196 (-321)	11 (52)
C Channel 2 used	-196 (-321)	74 (165)	74 (165)	74 (165)	400 (752)	-19 (-2)	400 (752)	-40 (-40)	-40 (-40)	-40 (-40)	-196 (-321)	11 (52)
E, G Switch output not used	-196 (-321)	79 (174)	79 (174)	79 (174)	400 (752)	-19 (-2)	400 (752)	-40 (-40)	-40 (-40)	-40 (-40)	-196 (-321)	11 (52)
E, G Switch output used	-196 (-321)	63 (145)	63 (145)	63 (145)	400 (752)	-19 (-2)	400 (752)	-40 (-40)	-40 (-40)	-40 (-40)	-196 (-321)	11 (52)

FMR54 Horn antenna Seal: graphite -196 to 400 °C (-321 to 752 °F) Housing GT20 (aluminum coated) Temperature specifications: °C (°F)												
A0019344												
Power supply; output (item 2 in the product structure)	P1		P2		P3		P4		P5		P6	
	T _p	T _a	T _p	T _a	T _p	T _a	T _p	T _a	T _p	T _a	T _p	T _a
A	-196 (-321)	81 (178)	81 (178)	81 (178)	400 (752)	42 (108)	400 (752)	-40 (-40) ¹⁾	-40 (-40) ¹⁾	-40 (-40) ¹⁾	-196 (-321)	-19 (-2) ²⁾
B Switch output not used	-196 (-321)	82 (180)	82 (180)	82 (180)	400 (752)	42 (108)	400 (752)	-40 (-40) ¹⁾	-40 (-40) ¹⁾	-40 (-40) ¹⁾	-196 (-321)	-19 (-2) ²⁾
B Switch output used	-196 (-321)	77 (171)	77 (171)	77 (171)	400 (752)	39 (102)	400 (752)	-40 (-40) ¹⁾	-40 (-40) ¹⁾	-40 (-40) ¹⁾	-196 (-321)	-19 (-2) ²⁾
C Channel 2 not used	-196 (-321)	82 (180)	82 (180)	82 (180)	400 (752)	42 (108)	400 (752)	-40 (-40) ¹⁾	-40 (-40) ¹⁾	-40 (-40) ¹⁾	-196 (-321)	-19 (-2) ²⁾
C Channel 2 used	-196 (-321)	79 (174)	79 (174)	79 (174)	400 (752)	41 (106)	400 (752)	-40 (-40) ¹⁾	-40 (-40) ¹⁾	-40 (-40) ¹⁾	-196 (-321)	-19 (-2) ²⁾
E, G Switch output not used	-196 (-321)	83 (181)	83 (181)	83 (181)	400 (752)	42 (108)	400 (752)	-40 (-40) ¹⁾	-40 (-40) ¹⁾	-40 (-40) ¹⁾	-196 (-321)	-19 (-2) ²⁾
E, G Switch output used	-196 (-321)	78 (172)	78 (172)	78 (172)	400 (752)	40 (104)	400 (752)	-40 (-40) ¹⁾	-40 (-40) ¹⁾	-40 (-40) ¹⁾	-196 (-321)	-19 (-2) ²⁾
K, L	-196 (-321)	77 (171)	77 (171)	77 (171)	400 (752)	40 (104)	400 (752)	-40 (-40) ¹⁾	-40 (-40) ¹⁾	-40 (-40) ¹⁾	-196 (-321)	-19 (-2) ²⁾

- 1) -50 °C (-58 °F) for order code 580 ("Test, certificate") = JN ("Transmitter ambient temperature -50°C/-58°F")
- 2) -26 °C (-15 °F) for order code 580 ("Test, certificate") = JN ("Transmitter ambient temperature -50°C/-58°F")

FMR54 Planar antenna Housing GT18 (316 L) Temperature specifications: °C (°F)												
A0019351												
Power supply; output (item 2 in the product structure)	P1		P2		P3		P4		P5		P6	
	T _p	T _a	T _p	T _a	T _p	T _a	T _p	T _a	T _p	T _a	T _p	T _a
A	-40 (-40)	81 (178)	81 (178)	81 (178)	150 (302)	69 (156)	150 (302)	-40 (-40)	-40 (-40)	-40 (-40)	-	-
B Switch output not used	-40 (-40)	82 (180)	82 (180)	82 (180)	150 (302)	69 (156)	150 (302)	-40 (-40)	-40 (-40)	-40 (-40)	-	-
B Switch output used	-40 (-40)	77 (171)	77 (171)	77 (171)	150 (302)	63 (145)	150 (302)	-40 (-40)	-40 (-40)	-40 (-40)	-	-
C Channel 2 not used	-40 (-40)	82 (180)	82 (180)	82 (180)	150 (302)	70 (158)	150 (302)	-40 (-40)	-40 (-40)	-40 (-40)	-	-
C Channel 2 used	-40 (-40)	79 (174)	79 (174)	79 (174)	150 (302)	66 (151)	150 (302)	-40 (-40)	-40 (-40)	-40 (-40)	-	-
E, G Switch output not used	-40 (-40)	83 (181)	83 (181)	83 (181)	150 (302)	71 (160)	150 (302)	-40 (-40)	-40 (-40)	-40 (-40)	-	-
E, G Switch output used	-40 (-40)	78 (172)	78 (172)	78 (172)	150 (302)	65 (149)	150 (302)	-40 (-40)	-40 (-40)	-40 (-40)	-	-
K, L	-40 (-40)	77 (171)	77 (171)	77 (171)	150 (302)	64 (147)	150 (302)	-40 (-40)	-40 (-40)	-40 (-40)	-	-

FMR54 Planar antenna GT19 housing (plastic PBT) Temperature specifications: °C (°F)												
<small>A0019351</small>												
Power supply; output (item 2 in the product structure)	P1		P2		P3		P4		P5		P6	
	T _p	T _a	T _p	T _a	T _p	T _a	T _p	T _a	T _p	T _a	T _p	T _a
A	-40 (-40)	80 (176)	80 (176)	80 (176)	150 (302)	60 (140)	150 (302)	-40 (-40)	-40 (-40)	-40 (-40)	-	-
B Switch output not used	-40 (-40)	76 (169)	76 (169)	76 (169)	150 (302)	60 (140)	150 (302)	-40 (-40)	-40 (-40)	-40 (-40)	-	-
B Switch output used	-40 (-40)	60 (140)	60 (140)	60 (140)	150 (302)	41 (106)	150 (302)	-40 (-40)	-40 (-40)	-40 (-40)	-	-
C Channel 2 not used	-40 (-40)	82 (180)	82 (180)	82 (180)	150 (302)	60 (140)	150 (302)	-40 (-40)	-40 (-40)	-40 (-40)	-	-
C Channel 2 used	-40 (-40)	74 (165)	74 (165)	74 (165)	150 (302)	57 (135)	150 (302)	-40 (-40)	-40 (-40)	-40 (-40)	-	-
E, G Switch output not used	-40 (-40)	79 (174)	79 (174)	79 (174)	150 (302)	60 (140)	150 (302)	-40 (-40)	-40 (-40)	-40 (-40)	-	-
E, G Switch output used	-40 (-40)	63 (145)	63 (145)	63 (145)	150 (302)	44 (111)	150 (302)	-40 (-40)	-40 (-40)	-40 (-40)	-	-

FMR54 Planar antenna Housing GT20 (aluminum coated) Temperature specifications: °C (°F)												
<small>A0019351</small>												
Power supply; output (item 2 in the product structure)	P1		P2		P3		P4		P5		P6	
	T _p	T _a	T _p	T _a	T _p	T _a	T _p	T _a	T _p	T _a	T _p	T _a
A	-40 (-40)	81 (178)	81 (178)	81 (178)	150 (302)	71 (160)	150 (302)	-40 (-40)	-40 (-40)	-40 (-40)	-	-
B Switch output not used	-40 (-40)	82 (180)	82 (180)	82 (180)	150 (302)	72 (162)	150 (302)	-40 (-40)	-40 (-40)	-40 (-40)	-	-
B Switch output used	-40 (-40)	77 (171)	77 (171)	77 (171)	150 (302)	66 (151)	150 (302)	-40 (-40)	-40 (-40)	-40 (-40)	-	-
C Channel 2 not used	-40 (-40)	82 (180)	82 (180)	82 (180)	150 (302)	72 (162)	150 (302)	-40 (-40)	-40 (-40)	-40 (-40)	-	-
C Channel 2 used	-40 (-40)	79 (174)	79 (174)	79 (174)	150 (302)	68 (154)	150 (302)	-40 (-40)	-40 (-40)	-40 (-40)	-	-
E, G Switch output not used	-40 (-40)	83 (181)	83 (181)	83 (181)	150 (302)	73 (163)	150 (302)	-40 (-40)	-40 (-40)	-40 (-40)	-	-
E, G Switch output used	-40 (-40)	78 (172)	78 (172)	78 (172)	150 (302)	68 (154)	150 (302)	-40 (-40)	-40 (-40)	-40 (-40)	-	-
K, L	-40 (-40)	77 (171)	77 (171)	77 (171)	150 (302)	67 (153)	150 (302)	-40 (-40)	-40 (-40)	-40 (-40)	-	-


Storage temperature -40 to +80 °C (-40 to +176 °F)
 -50 °C (-58 °F) with manufacturer declaration on request

Climate class DIN EN 60068-2-38 (test Z/AD)

Altitude according to IEC61010-1 Ed.3

- Generally up to 2 000 m (6 600 ft) above MSL.
- Above 2 000 m (6 600 ft) if the following conditions are met:
 - Ordering feature 020 "Power supply; Output" = A, B, C, E or G (2-wire versions)
 - Supply voltage $U < 35\text{ V}$
 - Supply voltage of overvoltage category 1

Degree of protection

- When housing is closed, tested according to:
 - IP68, NEMA6P (24 h at 1.83 m under water)
 - For plastic housing with see-through lid (display): IP68 (24 h at 1.00 m under water)
This restriction applies if the following options have been selected simultaneously in the product structure: 030 ("Display/operation") = C ("SD02") or E ("SD03"); 040 ("Housing") = A ("GT19").
 - IP66, NEMA4X
 - With housing open: IP20, NEMA1
 - Display module: IP22, NEMA2
-  Degree of protection IP68 NEMA6P only applies for M12 PROFIBUS PA plugs if the PROFIBUS cable is plugged in and is also rated IP68 NEMA6P.

Vibration resistance

DIN EN 60068-2-64 / IEC 60068-2-64: 20 to 2 000 Hz, 1 (m/s²)/Hz

Cleaning the antenna

The antenna may become contaminated depending on the application. Emission and reception of microwaves can thus be hindered. The level of contamination leading to this error depends on the medium and on the reflectivity, which is mainly determined by the dielectric constant ϵ_r .

If the medium tends to cause contamination and buildup, cleaning on a regular basis is recommended. Care must be taken to ensure the antenna is not damaged in the process of mechanical or hose-down cleaning. Material compatibility must be taken into account if cleaning agents are used! The maximum permissible flange temperatures should not be exceeded.

Electromagnetic compatibility (EMC)

Electromagnetic compatibility in accordance with all of the relevant requirements outlined in the EN 61326 series and NAMUR Recommendation EMC (NE 21). For details, refer to the Declaration of Conformity.

 Download at www.endress.com

A normal device cable suffices if only the analog signal should be used. Use a shielded cable for digital communication (HART/ PA/ FF).

Always use a shielded cable for the electronic version "2-wire, 4-20 mA HART + 4-20 mA analog".

Maximum measured error during EMC testing: < 0.5 % of the span. By way of derogation, for devices with a plastic housing and see-through lid (integrated display SD02 or SD03) the measured error can be up to 2 % of the span in the event of strong electromagnetic radiation in the 1 to 2 GHz frequency range.

Process

Process temperature, process pressure

⚠ WARNING

The maximum pressure for the device depends on the lowest-rated component with regard to pressure (components are: process connection, optional mounted parts or accessories).

- ▶ Only operate the device within the specified limits for the components!
- ▶ MWP (Maximum Working Pressure): The MWP is specified on the nameplate. This value refers to a reference temperature of +20 °C (+68 °F) and may be applied to the device for an unlimited time. Note temperature dependence of MWP. For flanges, refer to the following standards for the permitted pressure values at higher temperatures: EN 1092-1 (with regard to their stability/temperature property, the materials 1.4435 and 1.4404 are grouped together under EN 1092-1; the chemical composition of the two materials can be identical), ASME B16.5, JIS B2220 (the latest version of the standard applies in each case). MWP data that deviate from this are provided in the relevant sections of the Technical Information.
- ▶ The Pressure Equipment Directive (2014/68/EU) uses the abbreviation **PS**. This corresponds to the maximum working pressure (MWP) of the device.

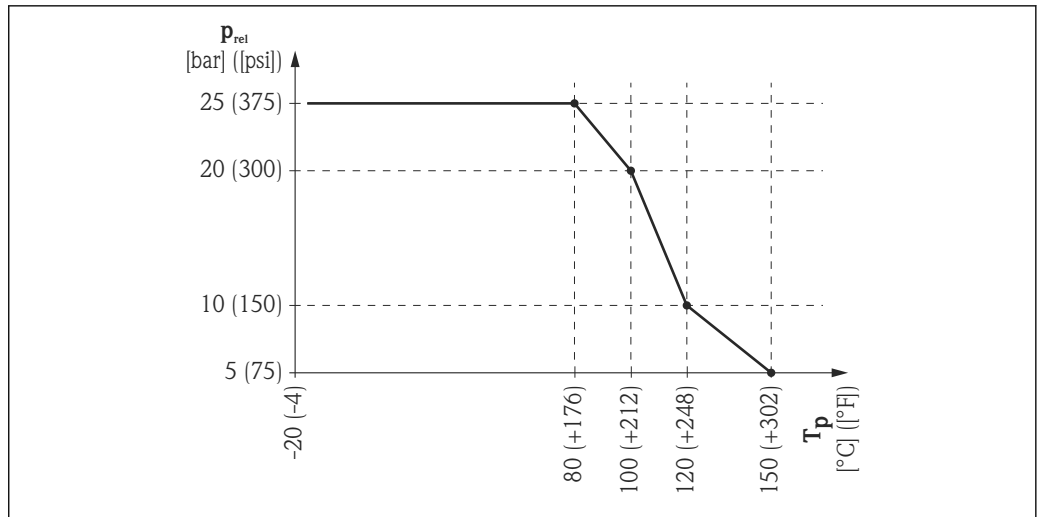
FMR53

Feature 100 "Process connection"	Process temperature range	Process pressure range
<ul style="list-style-type: none"> ▪ RGF: thread ANSI MNPT1-1/2, PVDF ▪ RVF: thread EN10226 R1-1/2, PVDF 	-40 to +80 °C (-40 to +176 °F)	$p_{\text{gauge}} = -1$ to 3 bar (-14.5 to 43.5 psi) $p_{\text{abs}} < 4$ bar (58 psi)
All other process connections	-40 to +150 °C (-40 to +302 °F)	$p_{\text{gauge}} = -1$ to 40 bar (-14.5 to 580 psi)

FMR54

Feature 070 "Antenna"	Feature 090 "Seal"	Process temperature range	Process pressure range
<ul style="list-style-type: none"> ▪ AA: w/o horn, for pipe installation ▪ BC: horn 80mm/3" ▪ BD: horn 100mm/4" ▪ BE: horn 150mm/6" ▪ BF: horn 200mm/8" ▪ BG: horn 250mm/10" 	A8: Viton	<ul style="list-style-type: none"> ▪ Conductive media: -40 to +150 °C (-40 to +302 °F) ▪ Non-conductive media: -40 to +200 °C (-40 to +392 °F) 	-1 to 64 bar (-14.5 to 928 psi)
	B4: EPDM	-40 to +150 °C (-40 to +302 °F)	
	C2: Kalrez	-20 to +200 °C (-4 to +392 °F)	
	<ul style="list-style-type: none"> ▪ DA: planar 150mm/6" ▪ DB: planar 200mm/8" ▪ DC: planar 250mm/10" ▪ DD: planar 300mm/12" 	D1: graphite (XT)	-196 to +280 °C (-321 to +536 °F)
D2: graphite (HT)		-196 to +400 °C (-321 to +752 °F)	-1 to 160 bar (-14.5 to 2 320 psi) ¹⁾
<ul style="list-style-type: none"> ▪ DA: planar 150mm/6" ▪ DB: planar 200mm/8" ▪ DC: planar 250mm/10" ▪ DD: planar 300mm/12" 	A7: Viton	-20 to +150 °C (-4 to +302 °F)	Depends on the process temperature T_p ; see the following graphic ¹⁾

- 1) The pressure range may be reduced further if the device has a CRN approval, see Certificates and approvals section



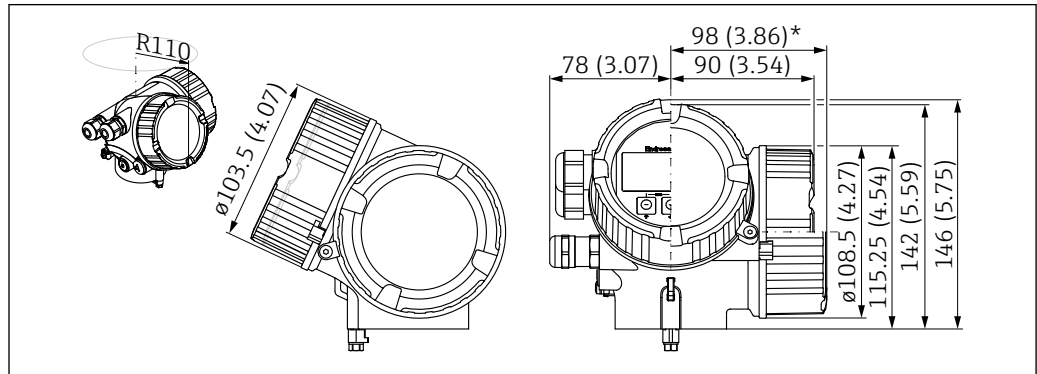
A0020552-EN

23 FMR54 with planar antenna: Permitted range for process temperature and process pressure

Mechanical construction

Dimensions

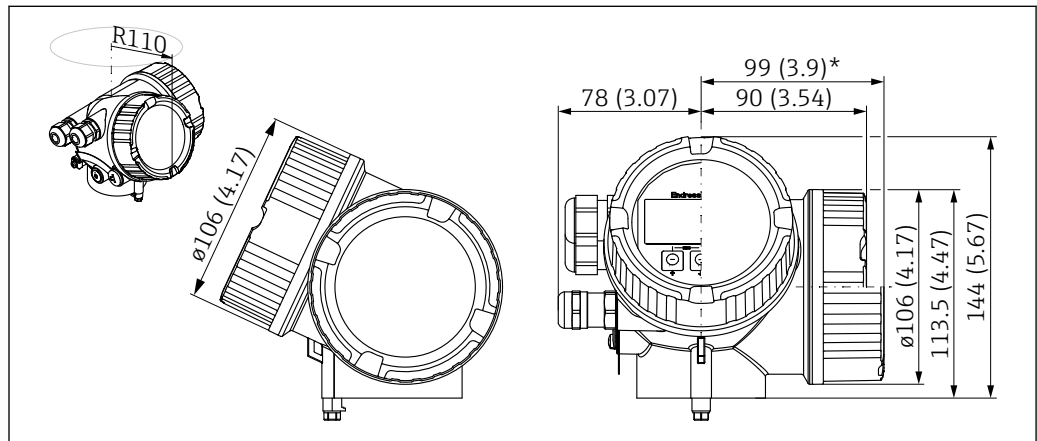
Dimensions of the electronics housing



A0011666

24 Housing GT18 (316L). Unit of measurement mm (in)

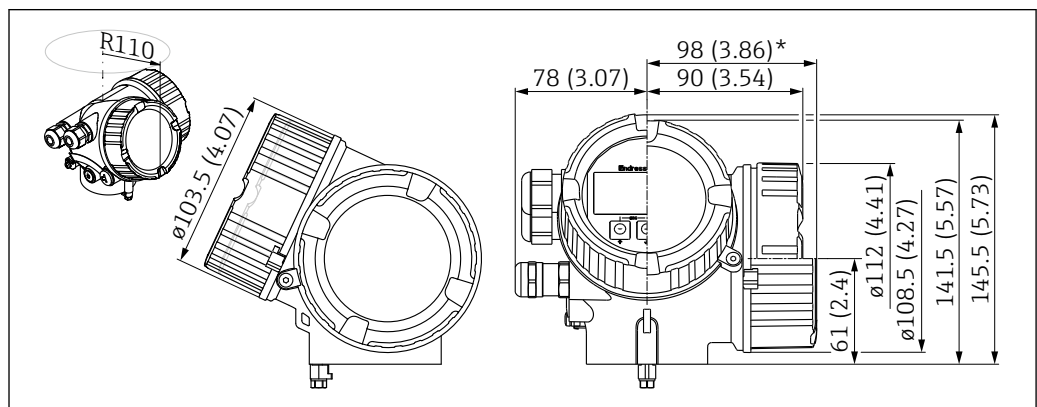
*For devices with integrated overvoltage protection.



A0011346

25 GT19 housing (plastic PBT). Unit of measurement mm (in)

*For devices with integrated overvoltage protection.

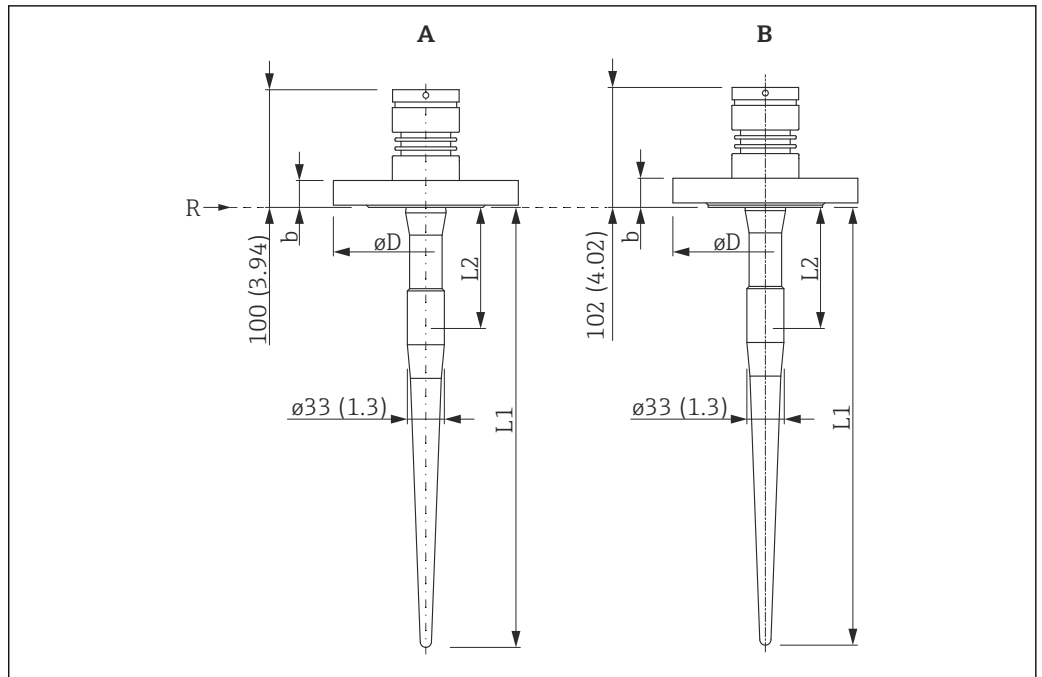


A0020751

26 Housing GT20 (aluminum coated). Unit of measurement mm (in)

*For devices with integrated overvoltage protection.

FMR53 with flange



A002390

27 Dimensions of device with flange. Unit of measurement mm (in)

- A Process connection: flange 316/316L (without cladding)
- B Process connection: flange PTFE>316L (cladded)
- R Reference point of measurement
- L1 Length of antenna
- L2 Inactive length

Antenna	L1	L2
Rod 390mm/15"	390 mm (15.4 in)	100 mm (3.94 in)
Rod 540mm/21"	540 mm (21.3 in)	250 mm (9.84 in)

Flanges as per EN1092-1 (suitable for DIN2527)

Nominal diameter	Pressure rating	b	ØD
DN50	PN10/16	18 mm (0.71 in)	165 mm (6.5 in)
DN80	PN10/16	20 mm (0.79 in)	200 mm (7.87 in)
DN80	PN25/40	24 mm (0.94 in)	200 mm (7.87 in)
DN100	PN10/16	20 mm (0.79 in)	220 mm (8.66 in)
DN150	PN10/16	22 mm (0.87 in)	285 mm (11.2 in)

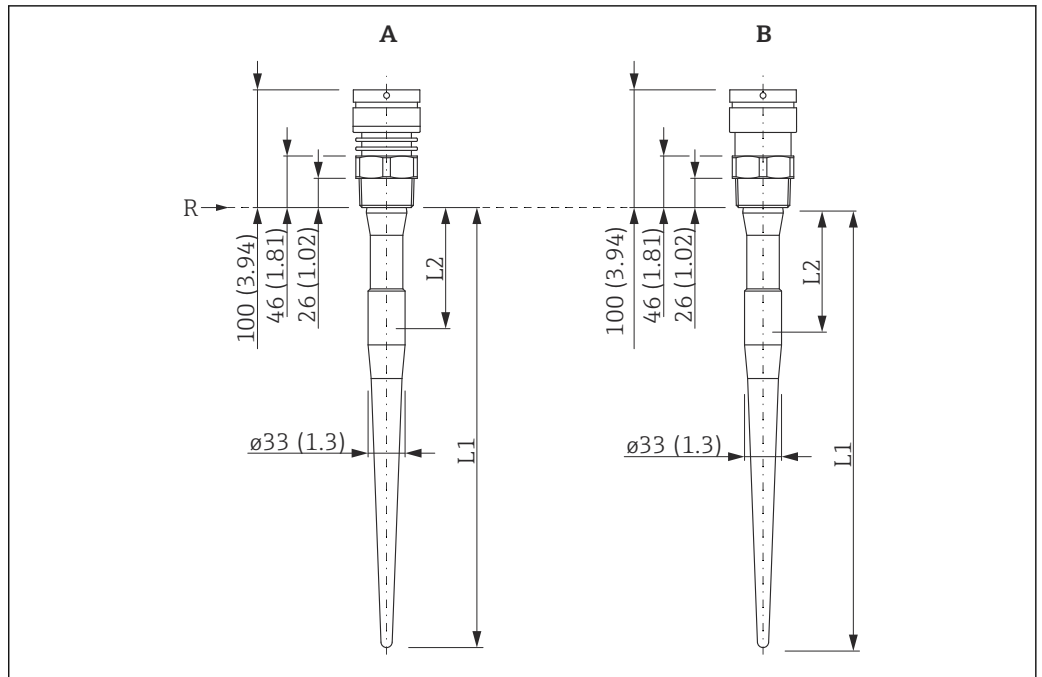
Flanges as per ASME B16.5

Nominal diameter	Pressure rating	b	ØD
2"	150 lbs	17.5 mm (0.69 in)	150 mm (6 in)
3"	150 lbs	22.3 mm (0.88 in)	190 mm (7.5 in)
3"	300 lbs	27 mm (1.1 in)	210 mm (8.25 in)
4"	150 lbs	22.3 mm (0.88 in)	230 mm (9 in)
4"	300 lbs	30.2 mm (1.19 in)	255 mm (10 in)
6"	150 lbs	23.9 mm (0.94 in)	280 mm (11 in)

Flanges as per JIS B2220

Nominal diameter	Pressure rating	b	ØD
50A	10 K	16 mm (0.63 in)	155 mm (6.1 in)
80A	10 K	18 mm (0.71 in)	185 mm (7.28 in)
100A	10 K	18 mm (0.71 in)	210 mm (8.27 in)
150A	10 K	22 mm (0.87 in)	280 mm (11 in)

FMR53 with thread



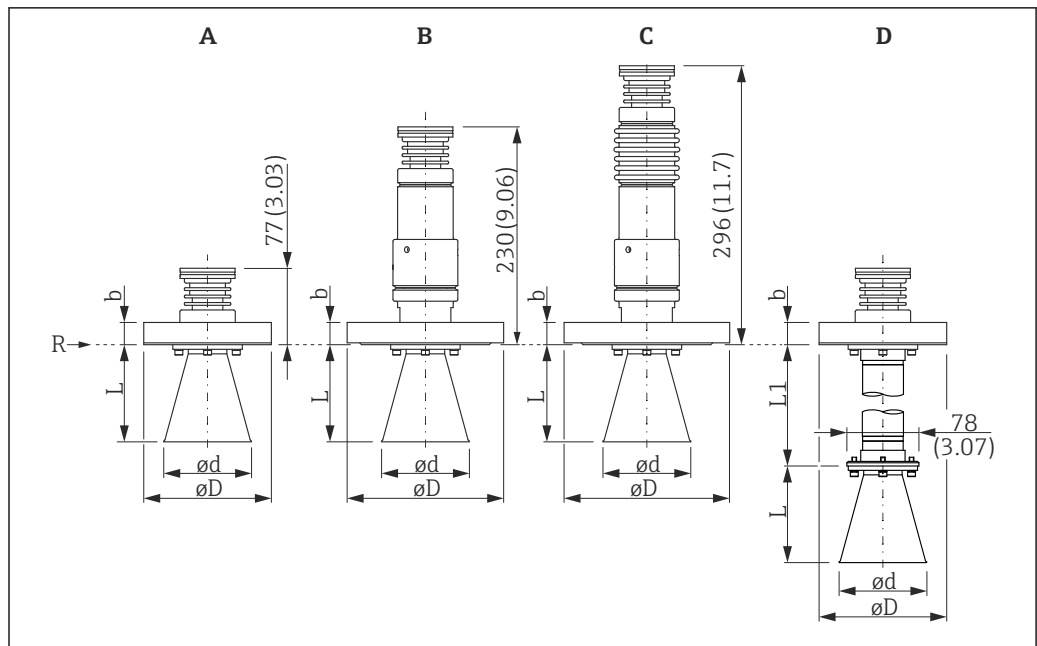
A0023991

28 Dimensions of device with thread. Unit of measurement mm (in)

- A Process connection: thread 316L
- B Process connection: PVDF thread
- R Reference point of measurement
- L1 Length of antenna
- L2 Inactive length

Antenna	L1	L2
Rod 390mm/15"	390 mm (15.4 in)	100 mm (3.94 in)
Rod 540mm/21"	540 mm (21.3 in)	250 mm (9.84 in)

FMR54 with horn antenna



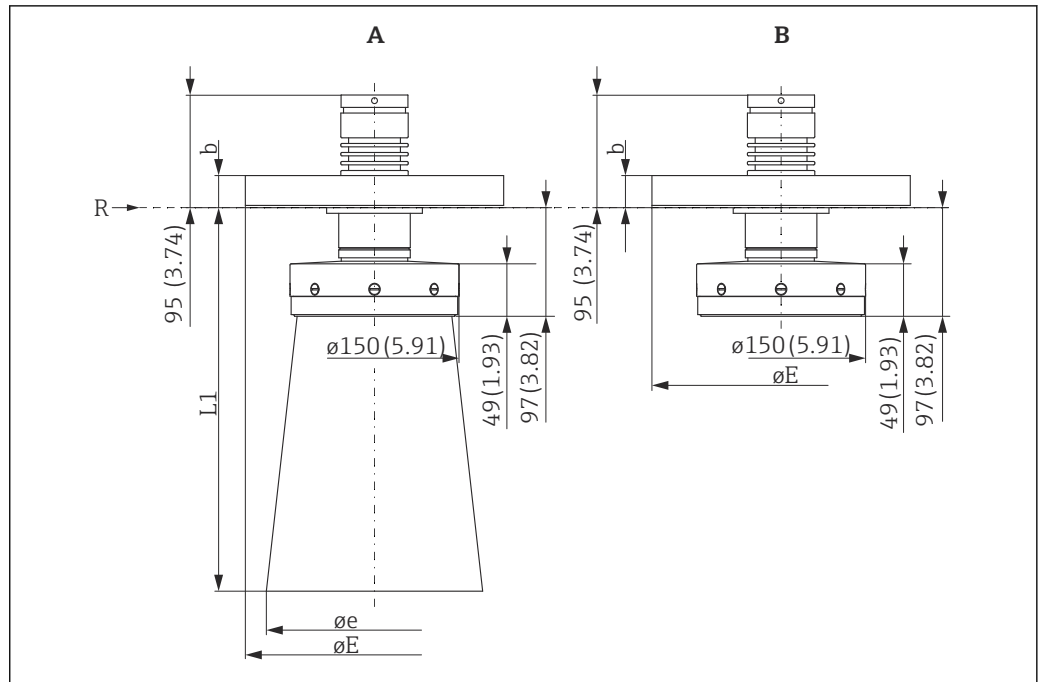
A0017809

29 Dimensions of FMR54 with horn antenna. Unit of measurement mm (in)

- A Seal: Viton/EPDM/Kalrez
- B Seal: graphite, -196 to +280 °C (-321 to +536 °F)(XT)
- C Seal: graphite, -196 to +400 °C (-321 to +752 °F)(HT)
- D Antenna extension; optionally available for all horn antennas
- R Reference point of measurement
- ØD As per flange standard ASME B16.5 / EN1092-1 / JIS B2220
- b As per flange standard ASME B16.5 / EN1092-1 / JIS B2220

Antenna	L	Ød	L1
Horn 80mm/3"	68 mm (2.68 in)	75 mm (2.95 in)	100 mm (3.94 in) / 200 mm (7.87 in) / 300 mm (11.8 in) / 400 mm (15.7 in)
Horn 100mm/4"	105 mm (4.13 in)	95 mm (3.74 in)	
Horn 150mm/6"	185 mm (7.28 in)	145 mm (5.71 in)	
Horn 200mm/8"	268 mm (10.6 in)	190 mm (7.48 in)	
Horn 250mm/10"	360 mm (14.2 in)	240 mm (9.45 in)	

FMR54 with planar antenna



A0017810

Unit of measurement mm (in)

A With horn extension (for planar antenna 200mm/8" to 300mm/12")

B Without horn extension (for planar antenna 150mm/6")

R Reference point of measurement

ØE As per flange standard ASME B16.5 / EN1092-1 / JIS B2220

b As per flange standard ASME B16.5 / EN1092-1 / JIS B2220

Horn extension

Antenna	e	L1
Planar 200mm/8"	192 mm (7.56 in)	341 mm (13.4 in)
Planar 250mm/10"	242 mm (9.53 in)	494 mm (19.4 in)
Planar 300mm/12"	292 mm (11.5 in)	521 mm (20.5 in)

Weight

Housing

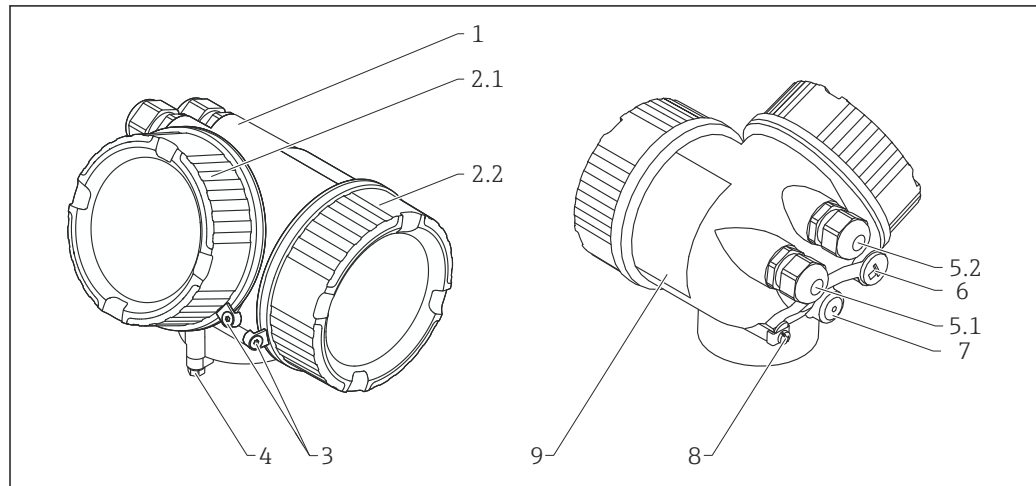
Part	Weight
GT18 housing - stainless steel	Approx. 4.5 kg (9.9 lb)
GT19 housing - plastic	Approx. 1.2 kg (2.7 lb)
GT20 housing - aluminum	Approx. 1.9 kg (4.2 lb)

Antenna and process connection

Device	Weight of antenna/process connection
FMR53	Max. 3.0 kg (6.6 lb) + flange weight ¹⁾
FMR54	Max. 9 kg (19.9 lb) + flange weight ¹⁾

1) For the flange weight, see Technical Information TI00426F.

Materials: Housing GT18
(stainless steel, corrosion-resistant)



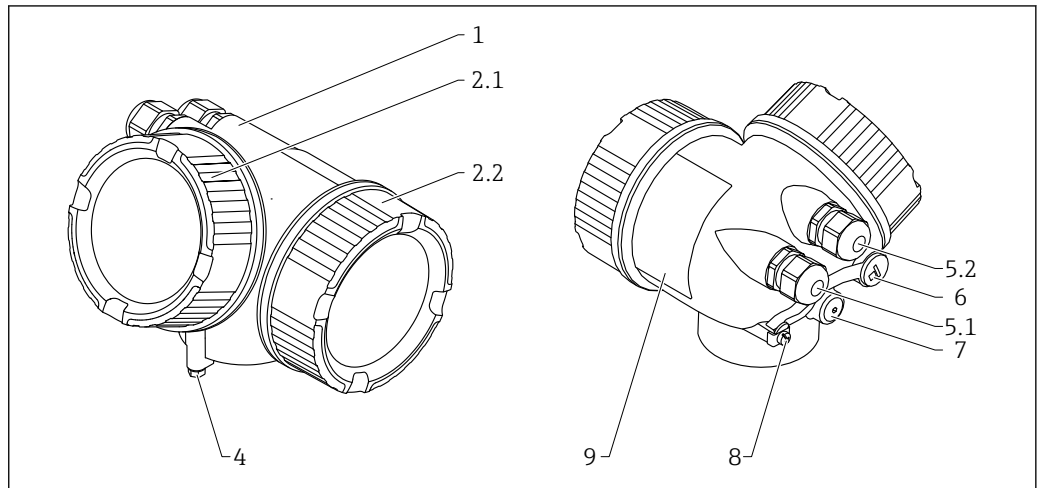
A0036037

No.	Component part	Material
1	Housing	CF3M similar to 316L/1.4404
2.1	Electronics compartment cover	<ul style="list-style-type: none"> ■ Cover: CF3M (similar to 316L/ 1.4404) ■ Window: glass ■ Cover seal: NBR ■ Window seal: NBR ■ Thread coating: graphite-based lubricant varnish
2.2	Connection compartment cover	<ul style="list-style-type: none"> ■ Cover: CF3M (similar to 316L/ 1.4404) ■ Cover seal: NBR ■ Thread coating: graphite-based lubricant varnish
3	Cover clamp	<ul style="list-style-type: none"> ■ Screw: A4 ■ Clamp: 316L (1.4404)
4	Safety device on housing neck	<ul style="list-style-type: none"> ■ Screw: A4-70 ■ Clamp: 316L (1.4404)
5.1	Dummy plug, coupling, adapter or connector (depending on device version)	<ul style="list-style-type: none"> ■ Dummy plug, depending on device version: <ul style="list-style-type: none"> ■ PE ■ PBT-GF ■ Coupling: 316L (1.4404) or brass, nickel-plated ■ Adapter: 316L (1.4404/1.4435) ■ Seal: EPDM ■ Connector M12: brass, nickel-plated ¹⁾ ■ Connector 7/8": 316 (1.4401) ²⁾
5.2	Dummy plug, coupling or adapter (depending on device version)	<ul style="list-style-type: none"> ■ Dummy plug: 316L (1.4404) ■ Coupling: 316L (1.4404) or brass, nickel-plated ■ Adapter: 316L (1.4404/1.4435) ■ Seal: EPDM
6	Dummy plug or M12 socket (depending on device version)	<ul style="list-style-type: none"> ■ Dummy plug: 316L (1.4404) ■ M12 socket: 316L (1.4404)
7	Pressure compensation vent	316L (1.4404)
8	Ground terminal	<ul style="list-style-type: none"> ■ Screw: A4 ■ Spring washer: A4 ■ Clamp: 316L (1.4404) ■ Bracket: 316L (1.4404)
9	Nameplate	<ul style="list-style-type: none"> ■ Plate: 316L (1.4404) ■ Groove pin: A4 (1.4571)

1) In the version with M12 connector, the seal material is Viton.

2) In the version with 7/8" connector, the seal material is NBR.

Materials: GT19 housing (plastic)



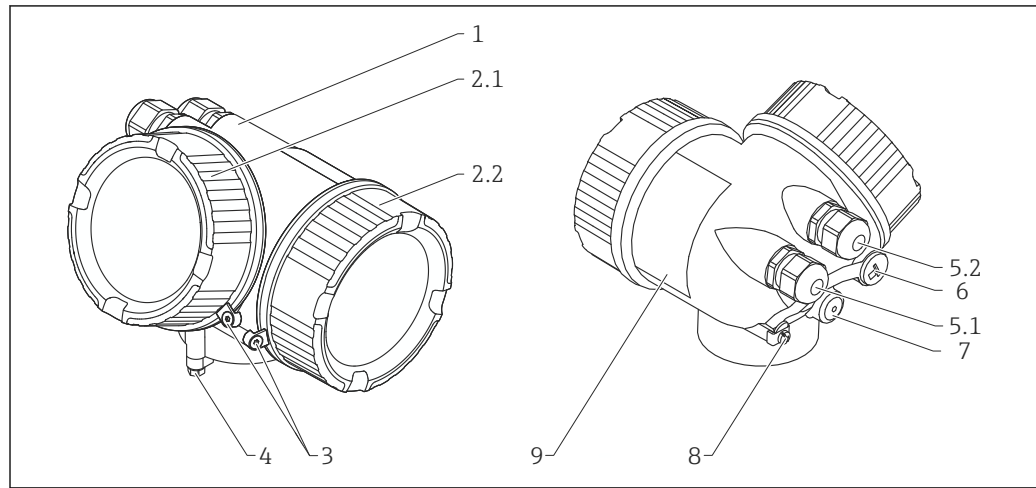
A0013788

No.	Component part	Material
1	Housing	PBT
2.1	Electronics compartment cover	<ul style="list-style-type: none"> ▪ Sight glass: PC ▪ Rim: PBT-PC ▪ Cover seal: EPDM ▪ Thread coating: graphite-based lubricant varnish
2.2	Connection compartment cover	<ul style="list-style-type: none"> ▪ Cover: PBT ▪ Cover seal: EPDM ▪ Thread coating: graphite-based lubricant varnish
4	Safety device on housing neck	<ul style="list-style-type: none"> ▪ Screw: A4-70 ▪ Clamp: 316L (1.4404)
5.1	Dummy plug, coupling, adapter or connector (depending on device version)	<ul style="list-style-type: none"> ▪ Dummy plug, depending on device version: <ul style="list-style-type: none"> ▪ PE ▪ PBT-GF ▪ Coupling, depending on device version: <ul style="list-style-type: none"> ▪ Brass (CuZn), nickel-plated ▪ PA ▪ Adapter: 316L (1.4404/1.4435) ▪ Seal: EPDM ▪ Connector M12: brass, nickel-plated ¹⁾ ▪ Connector 7/8": 316 (1.4401) ²⁾
5.2	Dummy plug, coupling or adapter (depending on device version)	<ul style="list-style-type: none"> ▪ Dummy plug, depending on device version: <ul style="list-style-type: none"> ▪ PE ▪ PBT-GF ▪ Steel, galvanized ▪ Coupling, depending on device version: <ul style="list-style-type: none"> ▪ Brass (CuZn), nickel-plated ▪ PA ▪ Adapter: 316L (1.4404/1.4435) ▪ Seal: EPDM
6	Dummy plug or M12 socket (depending on device version)	<ul style="list-style-type: none"> ▪ Dummy plug: brass (CuZn), nickel-plated ▪ M12 socket: GD-Zn, nickel-plated
7	Pressure compensation vent	Brass (CuZn), nickel-plated
8	Ground terminal	<ul style="list-style-type: none"> ▪ Screw: A2 ▪ Spring washer: A4 ▪ Clamp: 304 (1.4301) ▪ Bracket: 304 (1.4301)
9	Adhesive nameplate	Plastic

1) In the version with M12 connector, the seal material is Viton.

2) In the version with 7/8" connector, the seal material is NBR.

**Materials: GT20 housing
(die-cast aluminum, powder-coated)**



A0036037

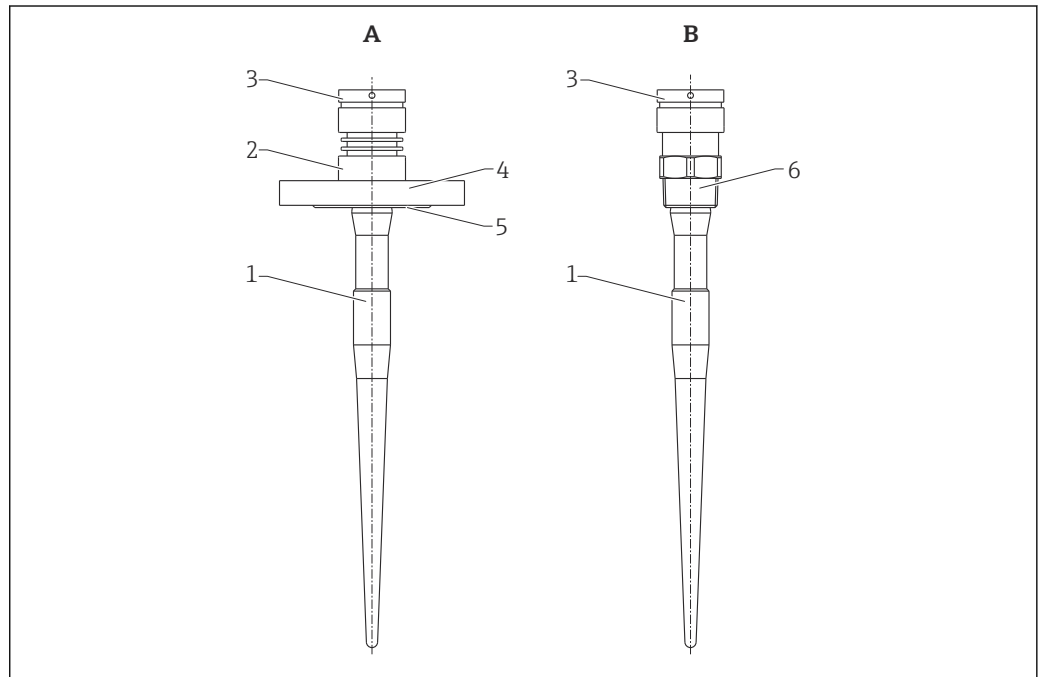
No.	Component part	Material
1	Housing, RAL 5012 (blue)	<ul style="list-style-type: none"> ■ Housing: AlSi10Mg(<0.1% Cu) ■ Coating: polyester
2.1	Electronics compartment cover, RAL 7035 (gray)	<ul style="list-style-type: none"> ■ Cover: AlSi10Mg(<0.1% Cu) ■ Window: glass ■ Cover seal: NBR ■ Window seal: NBR ■ Thread coating: graphite-based lubricant varnish
2.2	Connection compartment cover, RAL 7035 (gray)	<ul style="list-style-type: none"> ■ Cover: AlSi10Mg(<0.1% Cu) ■ Cover seal: NBR ■ Thread coating: graphite-based lubricant varnish
3	Cover clamp	<ul style="list-style-type: none"> ■ Screw: A4 ■ Clamp: 316L (1.4404)
4	Safety device on housing neck	<ul style="list-style-type: none"> ■ Screw: A4-70 ■ Clamp: 316L (1.4404)
5.1	Dummy plug, coupling, adapter or connector (depending on device version)	<ul style="list-style-type: none"> ■ Dummy plug, depending on device version: <ul style="list-style-type: none"> ■ PE ■ PBT-GF ■ Coupling, depending on device version: <ul style="list-style-type: none"> ■ Brass (CuZn), nickel-plated ■ PA ■ Adapter: 316L (1.4404/1.4435) ■ Seal: EPDM ■ M12 plug: brass, nickel-plated ¹⁾ ■ 7/8" plug: 316 (1.4401) ²⁾
5.2	Dummy plug, coupling or adapter (depending on device version)	<ul style="list-style-type: none"> ■ Dummy plug, depending on device version: <ul style="list-style-type: none"> ■ PE ■ PBT-GF ■ Steel, galvanized ■ Coupling, depending on device version: <ul style="list-style-type: none"> ■ Brass (CuZn), nickel-plated ■ PA ■ Adapter: 316L (1.4404/1.4435) ■ Seal: EPDM
6	Dummy plug or M12 socket (depending on device version)	<ul style="list-style-type: none"> ■ Dummy plug: brass (CuZn), nickel-plated ■ M12 socket: GD-Zn, nickel-plated
7	Pressure compensation vent	Brass (CuZn), nickel-plated

No.	Component part	Material
8	Ground terminal	<ul style="list-style-type: none"> ■ Screw: A2 ■ Spring washer: A2 ■ Clamp: 304 (1.4301) ■ Bracket: 304 (1.4301)
9	Adhesive nameplate	Plastic

- 1) In the version with the M12 plug, the seal material is Viton (different from standard).
- 2) In the version with the 7/8" plug, the seal material is NBR (different from standard).

Materials: antenna and process connection

FMR53

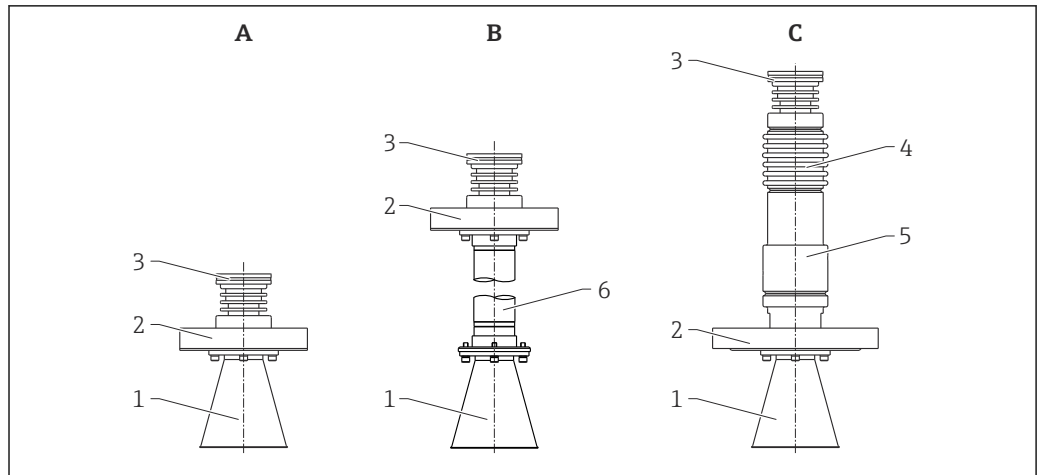


A0018954

- A Version with flange
 B Version with threaded adapter

Item	Component part	Material
1	Rod antenna	PTFE
2	Adapter	316L (1.4404)
3	Housing adapter	316L (1.4404)
4	Flange	316L (1.4404/1.4435)
5	Cladding	PTFE
6	Adapter	316L (1.4404)
		PVDF

FMR54 with horn antenna

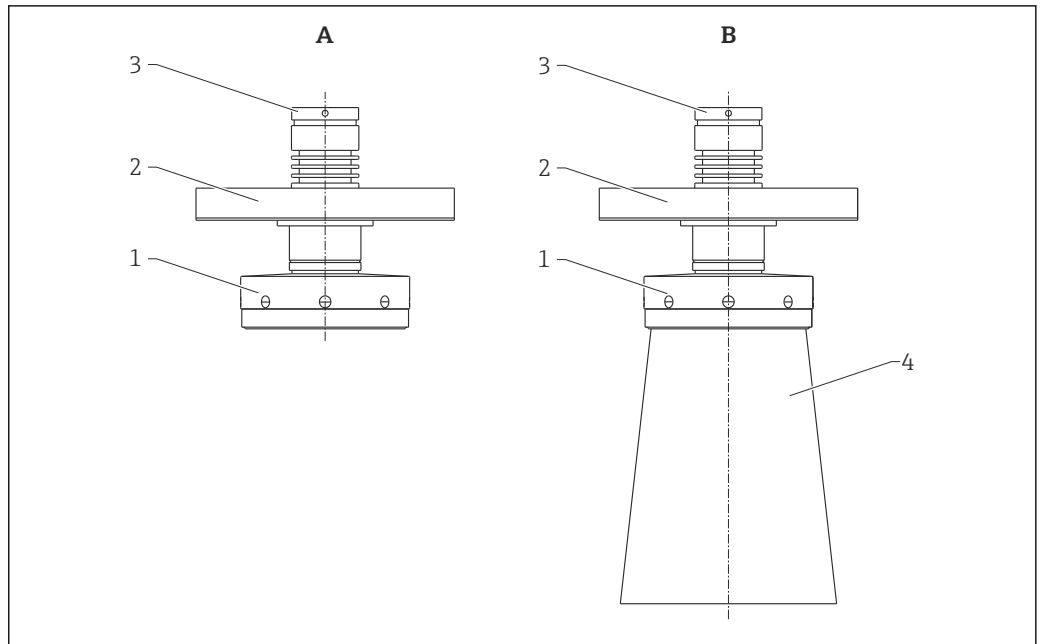


A0018956

- A Compact version
- B For version with antenna extension
- C High-temperature version

Item	Component part	Material		
1	Horn antenna	316L (1.4404)		
	Screw	A4		
	Spring washer (compact)	A4		
	Nordlock washer (XT and HT version)	A4		
	Process separation cone	Compact version: PTFE	High-temperature version: Al ₂ O ₃	
	Seal	Compact version: <ul style="list-style-type: none"> ■ Viton: FKM ■ Kalrez: FFKM (K6375) ■ EPDM 	High-temperature version: Graphite	
2	Flange	316L (1.4404/1.4435)		
3	Sensor adapter	316L (1.4404)		
4	Temperature reduction	316L (1.4404)		
5	Process separation	316L (1.4404)		
6	Antenna extension	316L (1.4435)		
	Screw	A4		
	Spring ring	A4		

FMR54 with planar or drip-off antenna

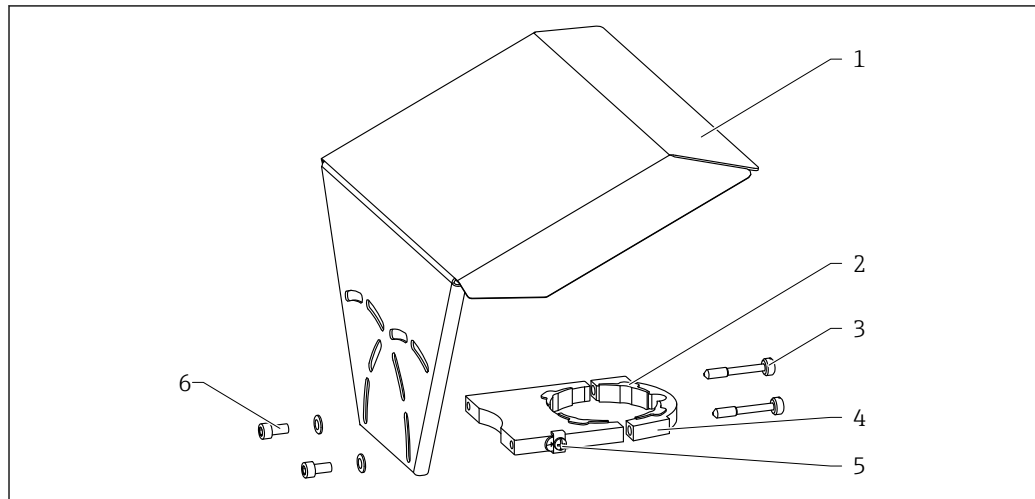


A0018957

- A Version with horn
 B Version without horn

Item	Component part	Material
1	Sensor adapter	316L (1.4404)
	Antenna retaining ring	316L (1.4404)
	Screw	A2
	Planar antenna	PTFE
	Sealing ring	FKM
2	Flange	316L (1.4404/1.4435)
3	Housing adapter	316L (1.4404)
4	Horn antenna	316L (1.4404)

Materials: Weather protection cover



A0015473

No.	Component: Material
1	Protection cover: 316L (1.4404)
2	Rubber molded part (4x): EPDM
3	Tensioning screw: 316L (1.4404) + carbon thread
4	Holder: 316L (1.4404)
5	Ground terminal <ul style="list-style-type: none"> ▪ Screw: A4 ▪ Spring washer: A4 ▪ Clamp: 316L (1.4404) ▪ Bracket: 316L (1.4404)
6	<ul style="list-style-type: none"> ▪ Washer: A4 ▪ Cylinder screw: A4-70

Operability

Operating concept

Operator-oriented menu structure for user-specific tasks

- Commissioning
- Operation
- Diagnostics
- Expert level

Operating languages

- English
- Deutsch
- Français
- Español
- Italiano
- Nederlands
- Portuguesa
- Polski
- русский язык (Russian)
- Svenska
- Türkçe
- 中文 (Chinese)
- 日本語 (Japanese)
- 한국어 (Korean)
- Bahasa Indonesia
- tiếng Việt (Vietnamese)
- čeština (Czech)



Feature 500 of the product structure determines which of these languages is preset on delivery.

Quick and save commissioning

- Interactive wizard with graphical interface for easy commissioning via FieldCare/DeviceCare
- Menu guidance with brief explanations of the individual parameter functions
- Standardized operation at the device and in the operating tools

Integrated data storage device (HistoROM)

- Enables transfer of configuration when changing electronic modules
- Records up to 100 event messages in the device
- Records up to 1000 measured values in the device
- Saves the signal curve on commissioning which can later be used as a reference.

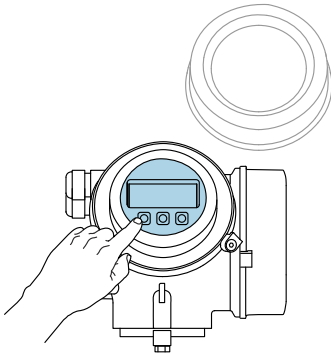
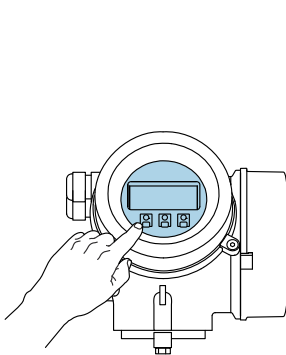
Efficient diagnostics increase measurement reliability

- Remedy information is integrated in plain text
- Diverse simulation options and line recorder functions

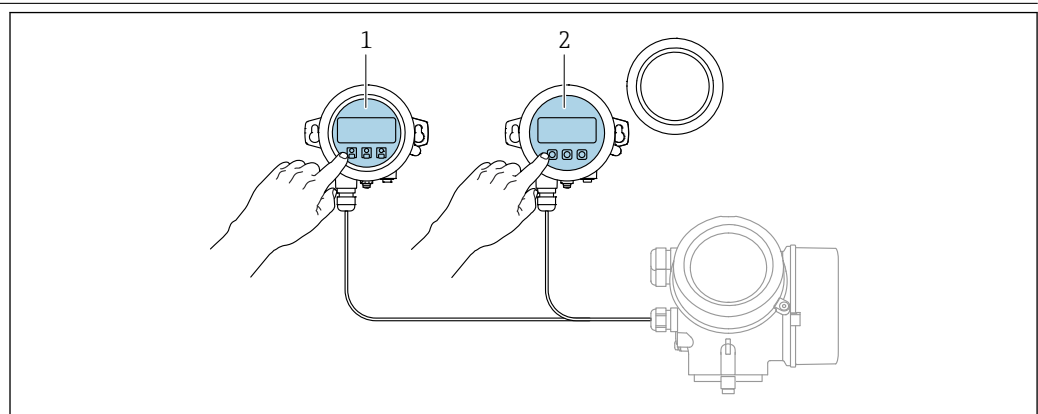
Integrated Bluetooth module (option for HART devices)

- Easy and fast setup via SmartBlue (app)
- No additional tools or adapters required
- Signal curve via SmartBlue (app)
- Encrypted single point-to-point data transmission (Fraunhofer-Institut, third party, tested) and password-protected communication via Bluetooth® wireless technology

Local operation

Operation with	Pushbuttons	Touch Control
Order code for "Display; Operation"	Option C "SD02"	Option E "SD03"
		
Display elements	4-line display	4-line display white background lighting; switches to red in event of device error
	Format for displaying measured variables and status variables can be individually configured	
	Permitted ambient temperature for the display: -20 to +70 °C (-4 to +158 °F) The readability of the display may be impaired at temperatures outside the temperature range.	
Operating elements	local operation with 3 push buttons (⊕, ⊖, ⏏)	external operation via touch control; 3 optical keys: ⊕, ⊖, ⏏
	Operating elements also accessible in various hazardous areas	
Additional functionality	Data backup function The device configuration can be saved in the display module.	
	Data comparison function The device configuration saved in the display module can be compared to the current device configuration.	
	Data transfer function The transmitter configuration can be transmitted to another device using the display module.	

Operation with remote display and operating module FHX50

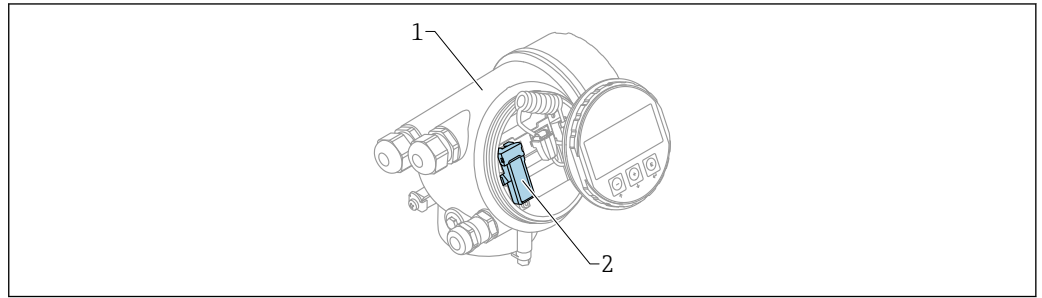


30 FHX50 operating options

- 1 Display and operating module SD03, optical keys; can be operated through the glass of the cover
- 2 Display and operating module SD02, push buttons; cover must be removed

Operation via Bluetooth® wireless technology

Requirements



A0036790

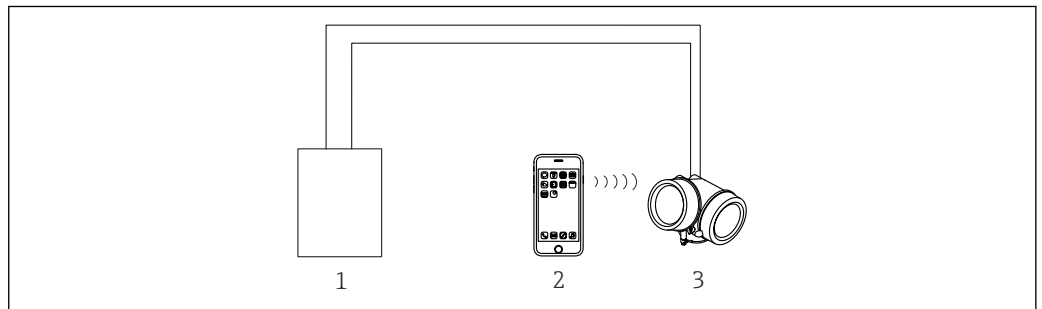
31 Device with Bluetooth module

- 1 Electronics housing of the device
- 2 Bluetooth module

This operation option is only available for devices with Bluetooth module. There are the following options:

- The device has been ordered with a Bluetooth module:
Feature 610 "Accessory Mounted", option NF "Bluetooth"
- The Bluetooth module has been ordered as an accessory (ordering number: 71377355) and has been mounted. See Special Documentation SD02252F.

Operation via SmartBlue (app)



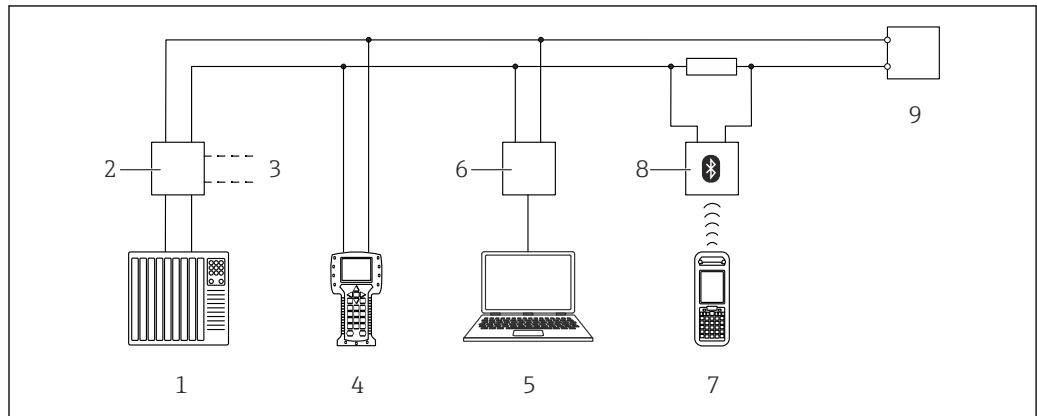
A0034939

32 Operation via SmartBlue (app)

- 1 Transmitter power supply unit
- 2 Smartphone / tablet with SmartBlue (app)
- 3 Transmitter with Bluetooth module

Remote operation

Via HART protocol

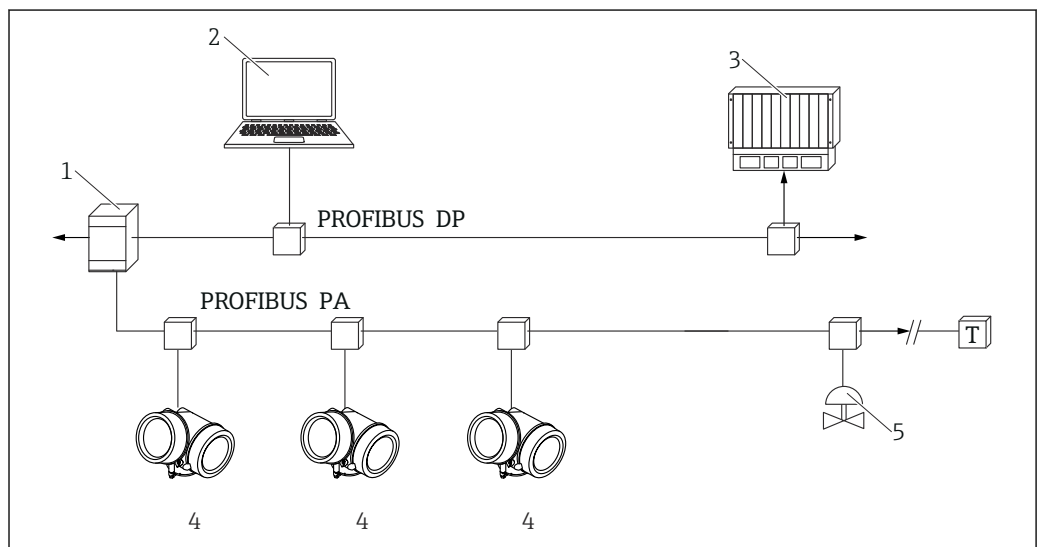


A0036169

33 Options for remote operation via HART protocol

- 1 PLC (Programmable Logic Controller)
- 2 Transmitter power supply unit, e.g. RN221N (with communication resistor)
- 3 Connection for Commubox FXA191, FXA195 and Field Communicator 375, 475
- 4 Field Communicator 475
- 5 Computer with operating tool (e.g. DeviceCare/FieldCare, AMS Device Manager, SIMATIC PDM)
- 6 Commubox FXA191 (RS232) or FXA195 (USB)
- 7 Field Xpert SFX350/SFX370
- 8 VIATOR Bluetooth modem with connecting cable
- 9 Transmitter

Via PROFIBUS PA protocol

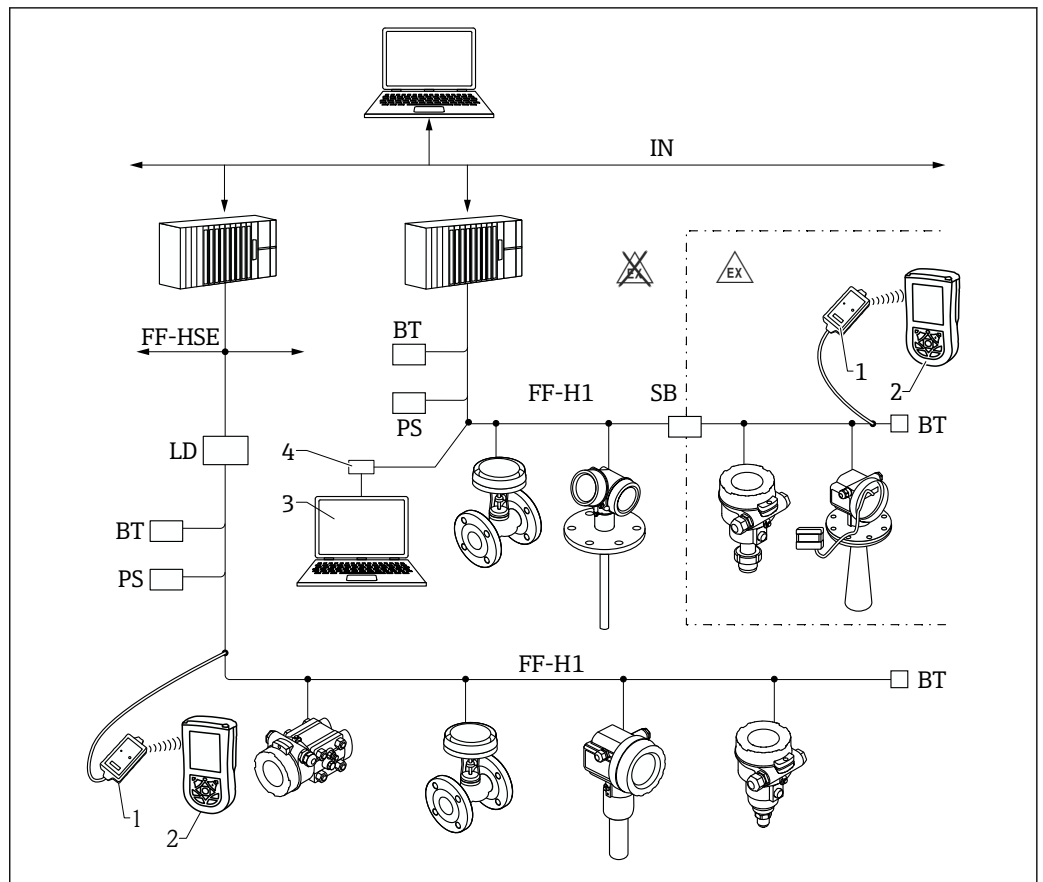


A0036301

34 Options for remote operation via PROFIBUS PA protocol

- 1 Segment coupler
- 2 Computer with Profiboard/Proficard and operating tool (e.g. DeviceCare/FieldCare)
- 3 PLC (Programmable Logic Controller)
- 4 Transmitter
- 5 Additional functions (valves etc.)

Via FOUNDATION Fieldbus



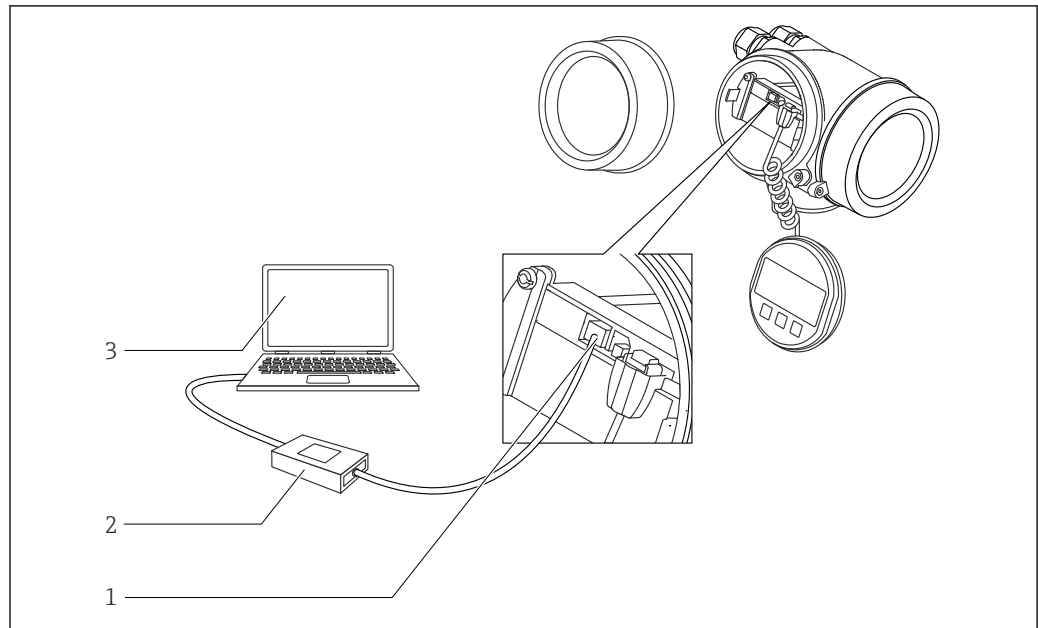
A0017188

35 FOUNDATION Fieldbus system architecture with associated components

- 1 FFblue Bluetooth modem
- 2 Field Xpert SFX350/SFX370
- 3 DeviceCare/FieldCare
- 4 NI-FF interface card

IN	Industrial network
FF-HSE	High Speed Ethernet
FF-H1	FOUNDATION Fieldbus-H1
LD	Linking Device FF-HSE/FF-H1
PS	Bus Power Supply
SB	Safety Barrier
BT	Bus Terminator

DeviceCare/FieldCare via service interface (CDI)



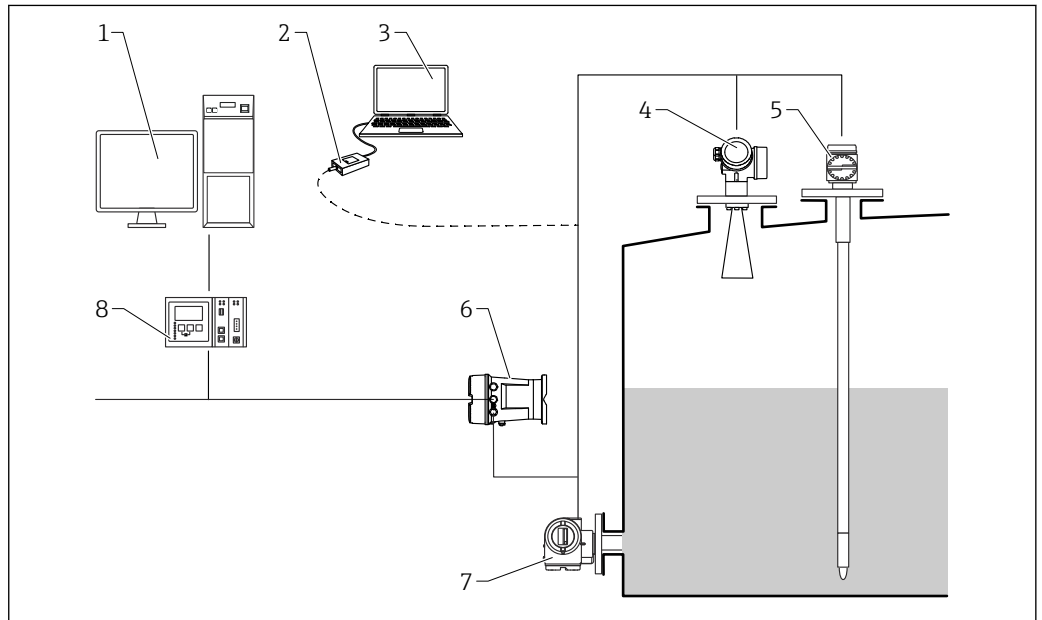
A0032466

36 DeviceCare/FieldCare via service interface (CDI)

- 1 Service interface (CDI) of the instrument (= Endress+Hauser Common Data Interface)
- 2 Commubox FXA291
- 3 Computer with DeviceCare/FieldCare operating tool

Integration in tank gauging system

The Endress+Hauser Tank Side Monitor NRF81 provides integrated communications for sites with multiple tanks, each with one or more sensors on the tank, such as radar, spot or average temperature, capacitive probe for water detection and/or pressure sensors. Multiple protocols out of the Tank Side Monitor guarantee connectivity to nearly any of the existing industry standard tank gauging protocols. Optional connectivity of analog 4...20 mA sensors, digital I/O and analog output simplify full tank sensor integration. Use of the proven concept of the intrinsically safe HART bus for all on-tank sensors yields extremely low wiring costs, while at the same time providing maximum safety, reliability and data availability.



A0017982

37 The complete measuring system consists of:

- 1 Tankvision workstation
- 2 Commubox FXA195 (USB) - optional
- 3 Computer with operating tool (ControlCare) - optional
- 4 Level measuring device
- 5 Temperature measuring device
- 6 Tank Side Monitor NRF81
- 7 Pressure measuring device
- 8 Tankvision Tank Scanner NXA820

SupplyCare inventory management software

SupplyCare is a web-based operating program for coordinating the flow of material and information along the supply chain. SupplyCare provides a comprehensive overview of the levels of geographically distributed tanks and silos, for instance, providing complete transparency over the current inventory situation, regardless of time and location.

Based on the measuring and transmission technology installed onsite, the current inventory data are collected and sent to SupplyCare. Critical levels are clearly indicated and calculated forecasts provide additional security for material requirements planning.

The main functions of SupplyCare:

Inventory visualization

SupplyCare determines the inventory levels in tanks and silos at regular intervals. It displays current and historical inventory data and calculated forecasts of future demand. The overview page can be configured to suit the user's preferences.

Master data management

With SupplyCare you can create and manage the master data for locations, companies, tanks, products and users, as well as user authorization.

Report Configurator

The Report Configurator can be used to create personalized reports quickly and easily. The reports can be saved in a variety of formats, such as Excel, PDF, CSV and XML. The reports can be transmitted in many ways, such as by http, ftp or e-mail.

Event management

Events, such as when levels drop below the safety stock level or plan points, are indicated by the software. In addition, SupplyCare can also notify pre-defined users by e-mail.

Alarms

If technical problems occur, e.g. connection issues, alarms are triggered and alarm e-mails are sent to the System Administrator and the Local System Administrator.

Delivery planning

The integrated delivery planning function automatically generates an order proposal if a pre-set minimum inventory level is undershot. Scheduled deliveries and disposals are monitored continuously by SupplyCare. SupplyCare notifies the user if scheduled deliveries and disposals are not going to be met as planned.

Analysis

In the Analysis module, the most important indicators for the inflow and outflow of the individual tanks are calculated and displayed as data and charts. Key indicators of material management are automatically calculated and form the basis for optimizing the delivery and storage process.

Geographical visualization

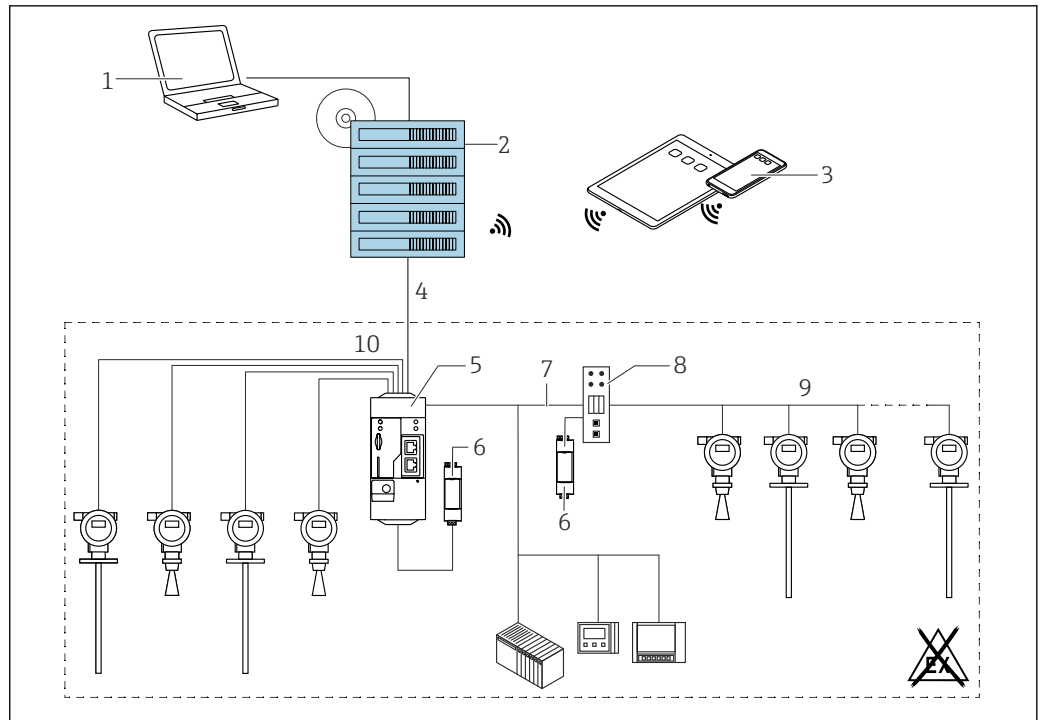
All the tanks and the tank inventories are represented graphically on a map (based on Google Maps). The tanks and inventory situations can be filtered by tank group, product, supplier or location.

Multi-language support

The multi-language user interface supports 9 languages, thereby enabling global collaboration on a single platform. The language and settings are recognized automatically using the browser settings.

SupplyCare Enterprise

SupplyCare Enterprise runs by default as a service under Microsoft Windows on an application server in an Apache Tomcat environment. The operators and administrators operate the application via a Web browser from their workstations.



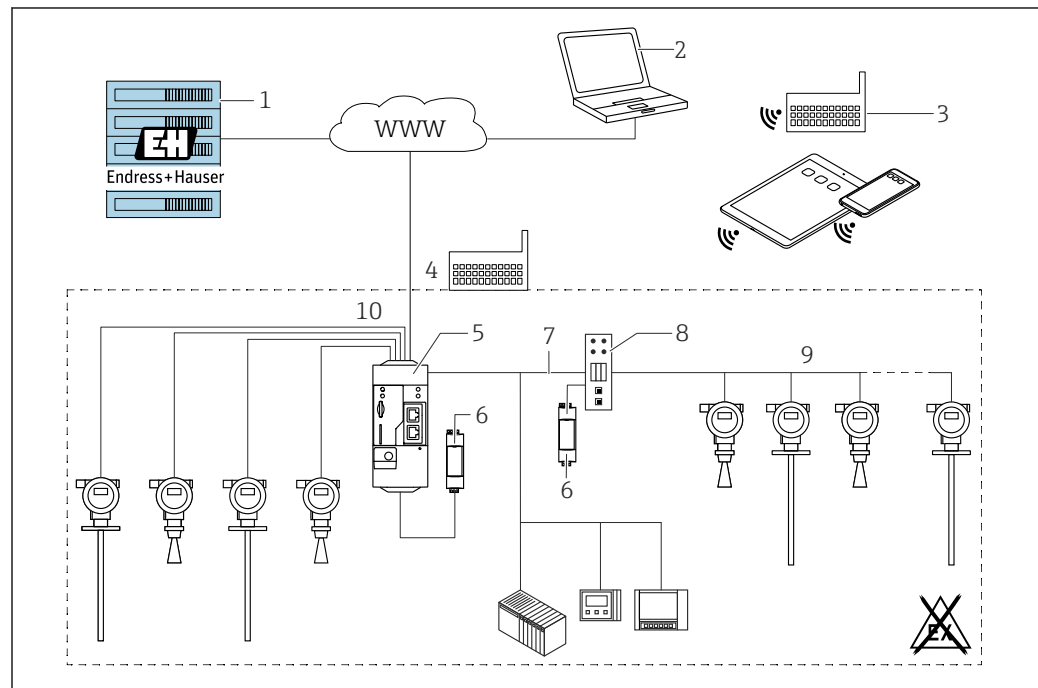
A0034288

38 Example of inventory management platform with SupplyCare Enterprise SCE30B

- 1 SupplyCare Enterprise (via Web browser)
- 2 SupplyCare Enterprise installation
- 3 SupplyCare Enterprise on mobile devices (via Web browser)
- 4 Ethernet/WLAN/UMTS
- 5 Fieldgate FXA42
- 6 Power supply 24 V DC
- 7 Modbus TCP via Ethernet as server/client
- 8 Converter from Modbus to HART Multidrop
- 9 HART Multidrop
- 10 4 x 4 to 20 mA analog input (2-wire/4-wire)

Cloud-based application: SupplyCare Hosting

SupplyCare Hosting is offered as a hosting service (software as a service). Here, the software is installed within the Endress+Hauser IT infrastructure and made available to the user in the Endress+Hauser portal.



A0034289

39 Example of inventory management platform with SupplyCare Hosting SCH30

- 1 SupplyCare Hosting installation in Endress+Hauser data center
- 2 PC workstation with Internet connection
- 3 Warehouse locations with Internet connection via 2G/3G with FXA42 or FXA30
- 4 Warehouse locations with Internet connection with FXA42
- 5 Fieldgate FXA42
- 6 Power supply 24 V DC
- 7 Modbus TCP via Ethernet as server/client
- 8 Converter from Modbus to HART Multidrop
- 9 HART Multidrop
- 10 4 x 4 to 20 mA analog input (2-wire/4-wire)

With SupplyCare Hosting, users do not need to make the initial software purchase or install and run the IT infrastructure needed. Endress+Hauser constantly update SupplyCare Hosting and enhance the capability of the software in conjunction with the customer. The hosted version of SupplyCare is thus always up-to-date and can be customized to meet different customer requirements. Other services are also offered in addition to the IT infrastructure and the software that is installed in a secure, redundant Endress+Hauser data center. These services include defined availability of the global Endress+Hauser Service and Support Organization and defined response times in a service event.

Certificates and approvals



Currently available certificates and approvals can be called up via the product configurator.

CE mark The measuring system meets the legal requirements of the applicable EU Directives. These are listed in the corresponding EU Declaration of Conformity along with the standards applied.
Endress+Hauser confirms successful testing of the device by affixing to it the CE mark.

RoHS The measuring system meets the substance restrictions of the Directive on the Restriction of the Use of Certain Hazardous Substances 2011/65/EU (RoHS 2) and the Delegated Directive (EU) 2015/863 (RoHS 3).

RCM-Tick marking The supplied product or measuring system meets the ACMA (Australian Communications and Media Authority) requirements for network integrity, interoperability, performance characteristics as well as health and safety regulations. Here, especially the regulatory arrangements for electromagnetic compatibility are met. The products are labelled with the RCM- Tick marking on the name plate.



A0029561

Ex approval

- ATEX
- IEC Ex
- CSA
- FM
- NEPSI
- KC
- INMETRO
- JPN

Additional safety instructions must be followed for use in hazardous areas. Please refer to the separate "Safety Instructions" (XA) document included in the delivery. Reference to the applicable XA can be found on the nameplate.

Dual seal according to ANSI/ISA 12.27.01 The devices have been designed according to ANSI/ISA 12.27.01 as dual seal devices, allowing the user to waive the use and save the cost of installing external secondary process seals in the conduit as required by the process sealing sections of ANSI/NFPA 70 (NEC) and CSA 22.1 (CEC) These instruments comply with the North-American installation practice and provide a very safe and cost-saving installation for pressurized applications with hazardous fluids.
Further information can be found in the Safety Instructions (XA) of the relevant devices.

Functional safety Use for level monitoring (MIN, MAX, range) up to SIL 3 (homogeneous or diverse redundancy), independently evaluated by TÜV Rheinland in accordance with IEC 61508, refer to the "Functional Safety Manual" for information.

WHG WHG approval: Z-65.16-524

Sanitary compatibility The FMR53 PTFE antenna complies with FDA 21 CFR 177.1550 and USP <88> Class VI.

NACE MR 0175 / ISO 15156

- The wetted, metal materials comply with the requirements of NACE MR 0175 / ISO 15156.
- Declaration of Conformity: see the product structure, feature 580, version JB

NACE MR 0103

- The wetted, metal materials comply with the requirements of NACE MR 0103.
- The Declaration of Conformity is based on NACE MR 0175.
The hardness and intergranular corrosion have been tested, and heat treatment (solution annealed) has been performed. The materials used therefore meet the requirements of NACE MR 0103.
- Declaration of Conformity: see the product structure, feature 580, version JE.

Pressure equipment with allowable pressure ≤ 200 bar (2 900 psi)

Pressure instruments with a flange and threaded boss that do not have a pressurized housing do not fall within the scope of the Pressure Equipment Directive, irrespective of the maximum allowable pressure.

Reasons:

According to Article 2, point 5 of EU Directive 2014/68/EU, pressure accessories are defined as "devices with an operational function and having pressure-bearing housings".

If a pressure instrument does not have a pressure-bearing housing (no identifiable pressure chamber of its own), there is no pressure accessory present within the meaning of the Directive.

Marine approval

Device	Marine approval ¹⁾				
	GL	ABS	LR	BV	DNV
FMR53	-	-	-	-	-
FMR54	✓	✓	✓	✓	✓

1) See order code for 590 "Additional approval"

FCC

This device complies with Part 15 of the FCC rules. Operation is subject to the following two conditions: (1) This device must not cause harmful interference, and (2) this device must accept any interference received, including interference that may cause undesired operation.

[Any] changes or modifications not expressly approved by the party responsible for compliance could void the user's authority to operate the equipment.

The devices are compliant with the FCC Code of Federal Regulations, CFR 47, Part 15, Sections 15.205, 15.207, 15.209.

Industry Canada**Canada CNR-Gen Section 7.1.3**

This device complies with Industry Canada license-exempt RSS standard(s). Operation is subject to the following two conditions: (1) This device must not cause harmful interference, and (2) this device must accept any interference, including interference that may cause undesired operation of the device.

Le présent appareil est conforme aux CNR d'Industrie Canada applicables aux appareils radio exempts de licence. L'exploitation est autorisée aux deux conditions suivantes : (1) l'appareil ne doit pas produire de brouillage, et (2) l'utilisateur de l'appareil doit accepter tout brouillage radioélectrique subi, même si le brouillage est susceptible d'en compromettre le fonctionnement.

[Any] changes or modifications not expressly approved by the party responsible for compliance could void the user's authority to operate the equipment.

- The installation of the LPR/TLPR device shall be done by trained installers, in strict compliance with the manufacturer's instructions.
- The use of this device is on a "no-interference, no-protection" basis. That is, the user shall accept operations of high-powered radar in the same frequency band, which may interfere with or damage this device. However, devices found to interfere with primary licensing operations will be required to be removed at the user's expense.
- This device shall be installed and operated in a completely enclosed container to prevent RF emissions, which can otherwise interfere with aeronautical navigation.
- The installer/user of this device shall ensure that it is at least 10 km from the Dominion Astrophysical Radio Observatory (DRAO) near Penticton, British Columbia. The coordinates of the DRAO are latitude 49°19'15" N and longitude 119°37'12" W. For devices not meeting this 10 km separation (e.g., those in the Okanagan Valley, British Columbia,) the installer/user must coordinate with, and obtain the written concurrence of, the Director of the DRAO before the equipment can be installed or operated. The Director of the DRAO may be contacted at 250-497-2300 (tel.) or 250-497-2355 (fax). (Alternatively, the Manager, Regulatory Standards Industry Canada, may be contacted.)

Japanese radio approval



The devices comply with Japanese Radio Law, Article 6, Section 1(1)

CRN approval

Some device versions have CRN approval. Devices are CRN approved if the following two conditions are met:

- The device has a CSA approval (product structure: feature 010 "Approval")
- The device has a CRN-approved process connection according to the following table:

Feature 100 in the product structure	Process connection
AFJ	NPS 2" Cl.150 RF, 316/316L
AFK	NPS 2" Cl.150, PTFE >316/316L
AGJ	NPS 3" Cl.150 RF, 316/316L
AGK	NPS 3" Cl.150, PTFE >316/316L
AHJ	NPS 4" Cl.150 RF, 316/316L
AHK	NPS 4" Cl.150, PTFE >316/316L
AJJ	NPS 6" Cl.150 RF, 316/316L
AJK	NPS 6" Cl.150, PTFE >316/316L
AKJ	NPS 8" Cl.150 RF, 316/316L
ALJ	NPS 10" Cl.150 RF, 316/316L
AMJ	NPS 12" Cl.150 RF, 316/316L
ASJ	NPS 3" Cl.300 RF, 316/316L
ATJ	NPS 4" Cl.300 RF, 316/316L
AUJ	NPS 6" Cl.300 RF, 316/316L
AUK	NPS 6" Cl.300, PTFE>316/316L
AVJ	NPS 8" Cl.300 RF, 316/316L
RGF	Thread ANSI MNPT1-1/2, PVDF
RGJ	Thread ANSI MNPT1-1/2, 316L
RVF	Thread EN10226 R1-1/2, PVDF
RVJ	Thread EN10226 R1-1/2, 316L

-  Process connections that do not have CRN approval are not listed in this table.
 - Please refer to the product structure to discover which process connections are available for a specific device type.
 - A CRN approval is available on request for some process connections not listed in the product structure.
 - CRN-approved devices are labeled with registration number OF15872.5C on the nameplate.
-  An additional pressure restriction applies for the device versions listed in the table below if they are CRN-approved. The pressure range indicated in the "Process" section continues to apply for device versions not listed in the table below.

Product	Antenna ¹⁾	Process connection ²⁾	Seal ³⁾	Max. pressure
FMR54			D1: graphite (XT)	100 bar (1 450 psi)
			D2: graphite (HT)	100 bar (1 450 psi)

- 1) Feature 070 in the product structure
- 2) Feature 100 in the product structure
- 3) Feature 090 in the product structure

Test, certificate

Feature 580 "Test, certificate"	Designation
YES	3.1 Material documentation, wetted metal parts, EN10204-3.1 inspection certificate
JB	Declaration of Conformity NACE MRO175, wetted metal parts
JD	3.1 Material certificate, pressurized parts, EN10204-3.1 inspection certificate
JE	Declaration of Conformity NACE MRO103, wetted metal parts
JF	Declaration of Conformity AD2000, wetted metal parts: Material conformity for all metal wetted/pressurized parts according to AD2000 (data sheets W2, W9, W10)
KD	Helium leak test, internal procedure, inspection certificate
KE	Pressure test, internal procedure, inspection certificate
KG	3.1 Material certificate+PMI test (XRF), internal procedure, wetted metal parts, EN10204-3.1 inspection certificate
KP	Penetrant testing AD2000-HP5-3 (PT), wetted/pressurized metal parts, inspection certificate
KQ	Penetrant testing ISO23277-1 (PT), wetted/pressurized metal parts, inspection certificate
KR	Penetrant testing ASME VIII-1 (PT), wetted/pressurized metal parts, inspection certificate
KT	ISO welding documentation, wetted/pressurized seams Consists of: <ul style="list-style-type: none"> ▪ Drawing ▪ WPQR (Welding Procedure Qualification Report) as per ISO 14613/ISO14614 ▪ WPS (Welding Process Specification) ▪ Manufacturer declaration
KU	ASME welding documentation, wetted/pressurized seams Consists of: <ul style="list-style-type: none"> ▪ Drawing ▪ WPQR (Welding Procedure Qualification Report) as per ASME BPVC Sect. IX ▪ WPS (Welding Process Specification) ▪ Manufacturer declaration
KV	Declaration of Conformity ASME B31.3: The design, the material used, the pressure and temperature ranges and the labeling of the devices meet the requirements of ASME B31.3



Test reports, declarations and inspection certificates are available in electronic format in the *W@M Device Viewer*:

Enter the serial number from the nameplate (www.endress.com/deviceviewer)

This concerns the options for the following order codes:

- 550 "Calibration"
- 580 "Test, certificate"

Hard-copy product documentation

Hard-copy versions of the test reports, declarations and inspection certificates can also be order via order code 570 "Service", option I7 "Hard-copy product documentation". The documents are then supplied with the product.

Other standards and guidelines

- EN 60529
Degrees of protection provided by enclosures (IP code)
- EN 61010-1
Safety Requirements for Electrical Equipment for Measurement, Control and Laboratory Use
- IEC/EN 61326
"Emission in accordance with Class A requirements". Electromagnetic compatibility (EMC requirements).
- NAMUR NE 21
Electromagnetic compatibility (EMC) of industrial process and laboratory control equipment
- NAMUR NE 43
Standardization of the signal level for the breakdown information of digital transmitters with analog output signal.
- NAMUR NE 53
Software of field devices and signal-processing devices with digital electronics
- NAMUR NE 107
Status classification as per NE107
- NAMUR NE 131
Requirements for field devices for standard applications.
- IEC61508
Functional safety of safety-related electric/electronic/programmable electronic systems

Ordering information

Ordering information

Detailed ordering information is available for your nearest sales organization www.addresses.endress.com or in the Product Configurator under www.endress.com :

1. Click Corporate
2. Select the country
3. Click Products
4. Select the product using the filters and search field
5. Open the product page

The Configuration button to the right of the product image opens the Product Configurator.



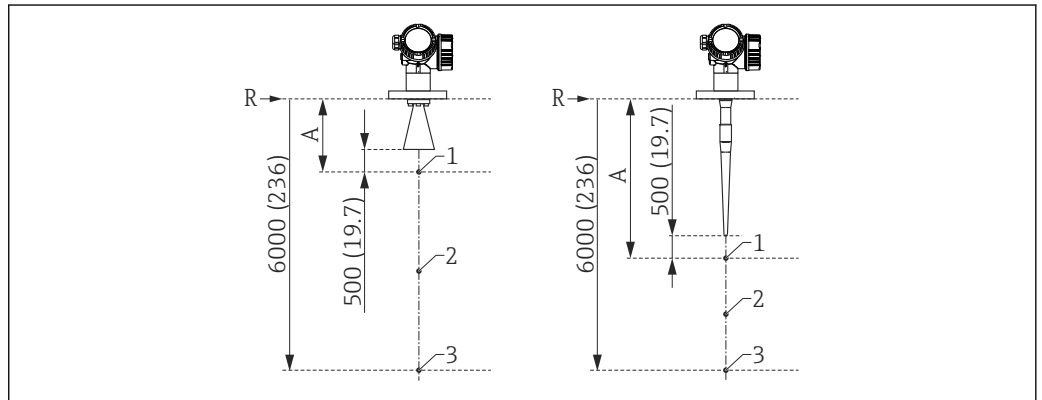
Product Configurator - the tool for individual product configuration

- Up-to-the-minute configuration data
- Depending on the device: direct input of information specific to the measuring point, such as the measuring range or operating language
- Automatic verification of exclusion criteria
- Automatic creation of the order code and its breakdown in PDF or Excel output format
- Ability to order directly in the Endress+Hauser Online Shop

3-point linearity protocol

i The following points must be considered if option F3 (3-point linearity protocol) was selected in feature 550 ("Calibration").

The 3 points of the linearity protocol are defined as follows:



40 Points of the 3-point linearity protocol; engineering unit: mm (in)

- A Distance from the reference point R to the first measuring point
- R Reference point of measurement
- 1 First measuring point
- 2 Second measuring point (in the middle between the first and third measuring point)
- 3 Third measuring point

Measuring point	Item
1st measuring point	<ul style="list-style-type: none"> ■ At a distance A from the reference point ■ A = length of antenna + antenna extension where applicable + 500 mm (19.7 in) ■ Minimum distance: $A_{min} = 1000$ mm (39.4 in)
2nd measuring point	In the middle between the 1st and 3rd measuring point
3rd measuring point	6000 mm (236 in) below the reference point R

i The position of the measuring points can vary by ± 1 cm (± 0.04 in).

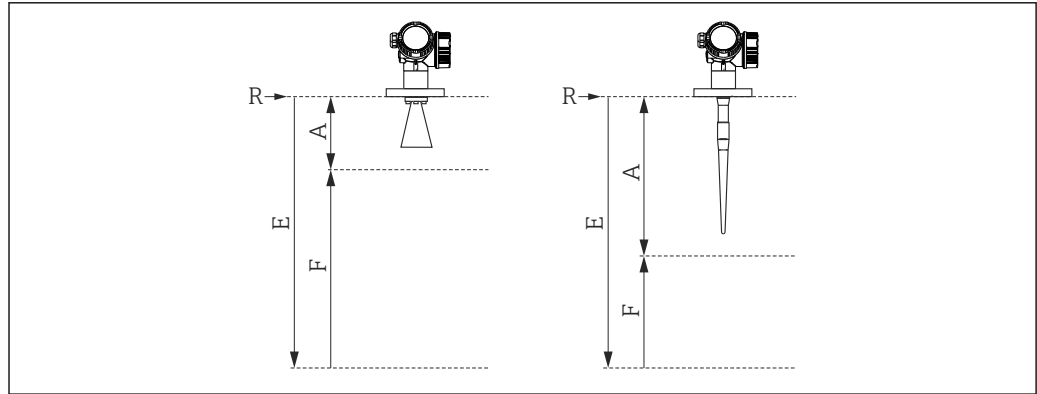
i The linearity check is performed under reference operating conditions.

5-point linearity protocol

i The following points must be considered if option F4 (5-point linearity protocol) was selected in feature 550 ("Calibration").

The 5 points of the linearity protocol are evenly distributed over the measuring range (0% - 100%). **Empty calibration (E)** and **Full calibration (F)** must be specified in order to define the measuring range²⁾.

The following restrictions must be considered when selecting E and F:



A0019161

Version	Minimum distance between reference point R and 100% mark	Minimum span	Maximum value for "Empty calibration"
FMR53/FMR54 Without antenna extension	$A \geq \text{length of antenna} + 200 \text{ mm (8 in)}^1$	$F \geq 400 \text{ mm (16 in)}$	$E \leq 20 \text{ m (66 ft)}$
FMR54 with antenna extension ²⁾	$A \geq \text{length of antenna} + \text{antenna extension} + 200 \text{ mm (8 in)}^3$		

- 1) Minimum value for FMR53: 590 mm (23.6 in); minimum value for FMR54: 400 mm (16 in)
- 2) Feature 610 "Accessory mounted" option OM, ON, OR or OS
- 3) Minimum value: 400 mm (8 in)

i The linearity check is performed under reference operating conditions.

i The selected values for **Empty calibration** and **Full calibration** are only used to create the linearity protocol. Afterwards, the values are reset to the default values specific for the antenna. If values other than the default values are required, they must be ordered as a customized parameterization.

2) If (E) and (F) are not specified, antenna-dependent default values will be used instead.

Customer-specific configuration

If the option IJ: "Customized parameterization HART", IK "Customized parameterization PA" or IL "Customized parameterization FF" has been selected in feature 570 "Service", presettings that differ from the default settings can be selected for the following parameters:

Parameters	Communication protocol	Picklist / range of values
Setup → Unit of length	<ul style="list-style-type: none"> ■ HART ■ PA ■ FF 	<ul style="list-style-type: none"> ■ in ■ ft ■ mm ■ m
Setup → Empty calibration	<ul style="list-style-type: none"> ■ HART ■ PA ■ FF 	max. 70 m (230 ft)
Setup → Full calibration	<ul style="list-style-type: none"> ■ HART ■ PA ■ FF 	max. < 70 m (230 ft)
Setup → Extended setup → Curr. output 1/2 → Damping	HART	0 to 999.9 s
Setup → Extended setup → Curr. output 1/2 → Failure mode	HART	<ul style="list-style-type: none"> ■ Min ■ Max ■ Last valid value
Expert → Comm. → HART config. → Burst mode	HART	<ul style="list-style-type: none"> ■ Off ■ On

Tagging (TAG)

Ordering feature	895: Marking
Option	Z1: Tagging (TAG), see additional spec.
Position of the measuring point marking	To be selected in the additional specifications: <ul style="list-style-type: none"> ■ Tag plate Stainless Steel ■ Self-adhesive paper label ■ Supplied label/plate ■ RFID TAG ■ RFID TAG + Tag plate Stainless Steel ■ RFID TAG + Self-adhesive paper label ■ RFID TAG + Supplied label/plate
Definition of the measuring point designation	To be defined in the additional specifications: 3 lines containing up to 18 characters each The measuring point designation appears on the selected label and/or the RFID TAG.
Designation in the Electronic Name Plate (ENP)	The first 32 characters of the measuring point designation
Designation on the display module	The first 12 characters of the measuring point designation

Services

The following services can be selected via the product structure in the Product Configurator:

- PWIS-free (PWIS = paint-wetting impairment substances)
- Customized parameterization HART
- Customized parameterization PA
- Customized parameterization FF
- W/o tooling DVD (FieldCare)
- Hard-copy product documentation

Application packages

Heartbeat Diagnostics

Availability

Available in all device versions.

Function

- Continuous self-monitoring of the device.
- Diagnostic messages output to
 - the local display.
 - an asset management system (e.g. FieldCare/DeviceCare).
 - an automation system (e.g. PLC).

Advantages

- Device condition information is available immediately and processed in time.
- The status signals are classified in accordance with VDI/VDE 2650 and NAMUR recommendation NE 107 and contain information about the cause of the error and remedial action.

Detailed description

See the "Diagnostics and troubleshooting" section of the Operating Instructions for the device.

Heartbeat Verification

Availability

Available for the following versions of feature 540 "Application package":

- EH: Heartbeat Verification + Monitoring
- EJ: Heartbeat Verification

Device functionality checked on demand

- Verification of the correct functioning of the measuring device within specifications.
- The verification result provides information about the condition of the device: **Passed** or **Failed**.
- The results are documented in a verification report.
- The automatically generated report supports the obligation to demonstrate compliance with internal and external regulations, laws and standards.
- Verification is possible without interrupting the process.

Advantages

- No onsite presence is required to use the function.
- The DTM³⁾ triggers verification in the device and interprets the results. No specific knowledge is required on the part of the user.
- The verification report can be used to prove quality measures to a third party.
- **Heartbeat Verification** can replace other maintenance tasks (e.g. periodic check) or extend the test intervals.

SIL/WHG-locked devices⁴⁾

- The **Heartbeat Verification** module contains a wizard for the proof test which must be performed at appropriate intervals for the following applications:
 - SIL (IEC61508/IEC61511)
 - WHG (German Water Resources Act)
- To perform a proof test, the device must be locked (SIL/WHG locking).
- The wizard can be used via FieldCare, DeviceCare or a DTM-based process control system.



In the case of SIL-locked and WHG-locked devices, it is **not** possible to perform verification without taking additional measures (e.g. bridging the output current) because the output current must be simulated (Increased safety mode) or the level must be approached manually (Expert mode) during subsequent re-locking (SIL/WHG locking).

Detailed description



SD01871F

3) DTM: Device Type Manager; controls device operation via DeviceCare, FieldCare or a DTM-based process control system.

4) Only relevant for devices with SIL or WHG approval: order code 590 ("Additional approval"), option LA ("SIL") or LC ("WHG").


Heartbeat Monitoring

Availability

Available for the following versions of feature 540 "Application package":
EH: Heartbeat Verification + Monitoring

Function

- In addition to the verification parameters, the corresponding parameter values are also logged.
- Existing measured variables, such as the echo amplitude, are used in the **Foam detection** and **Build-up detection** wizards.

 In the Micropilot FMR6x, the **Foam detection** and **Build-up detection** wizards cannot be used together.

"Foam detection" wizard

- The Heartbeat Monitoring module contains the **Foam detection** wizard.
- This wizard is used to configure automatic foam detection, which detects foam on the product surface on the basis of the reduced signal amplitude. Foam detection can be linked to a switch output in order to control a sprinkler system, for example, which dissolves the foam.
- This wizard can be used via FieldCare, DeviceCare or a DTM-based process control system.

"Build-up detection" wizard

- The Heartbeat Monitoring module contains the **Build-up detection** wizard.
- The wizard is used to configure automatic buildup detection, which detects the buildup of deposits on the antenna on the basis of the increased area of the coupling signal. Buildup detection can be linked to a switch output in order to control a compressed air system, for example, to clean the antenna.
- This wizard can be used via FieldCare, DeviceCare or a DTM-based process control system.

Advantages

- Early detection of changes (trends) to ensure plant availability and product quality.
- Use of information for the proactive planning of measures (e.g. cleaning/maintenance).
- Identification of undesirable process conditions as the basis to optimizing the facility and the processes.
- Automated control of measures to remove foam or buildup.


Detailed description



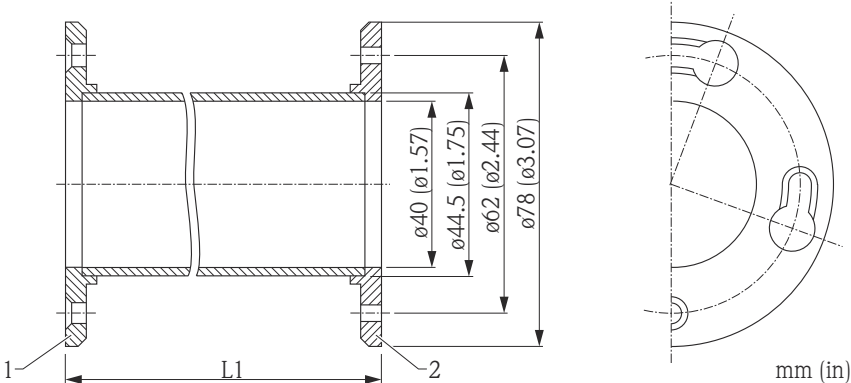
SD01871F

Accessories

Device-specific accessories Weather protection cover

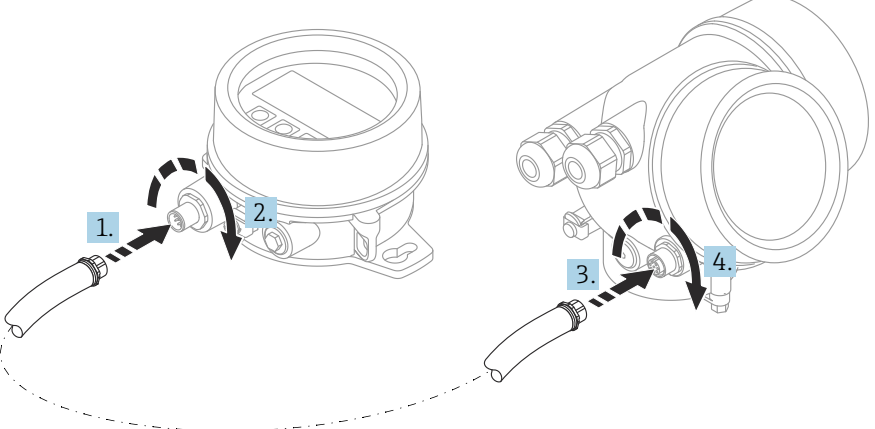
Accessory	Description
Weather protection cover	<p data-bbox="1476 734 1528 748">A0015466</p> <p data-bbox="1476 1146 1528 1160">A0015472</p> <p data-bbox="416 1171 925 1200">☑ 41 Weather protection cover; Dimensions: mm (in)</p> <p data-bbox="416 1227 1492 1305">  The weather protection cover can be ordered together with the device (product structure, feature 620 "Accessory Enclosed", option PB "Weather Protection Cover"). Alternatively, it can be separately ordered as an accessory; order code 71162242. </p>

Antenna extension FAR10 (for FMR54)

Accessories	Description
Antenna extension FAR10 (for FMR54)	 <p>1 Device side 2 Horn side</p> <p>Material:</p> <ul style="list-style-type: none"> ▪ 316L (1.4404) ▪ Alloy B2 ▪ Alloy C4 <p>Length L1:</p> <ul style="list-style-type: none"> ▪ 100 mm (4 in) ▪ 200 mm (8 in) ▪ 300 mm (12 in) ▪ 400 mm (16 in) <p>Detailed ordering information is available from the following sources:</p> <ul style="list-style-type: none"> ▪ In the Product Configurator on the Endress+Hauser webpage: www.endress.com ▪ From your Endress+Hauser Sales Center: www.endress.com/worldwide

A0018879

Remote display FHX50

Accessories	Description
Remote display FHX50	<div style="text-align: center;">  </div> <p style="text-align: right; font-size: small;">A0019128</p> <ul style="list-style-type: none"> ▪ Material: <ul style="list-style-type: none"> ▪ Plastic PBT ▪ 316L/1.4404 ▪ Aluminum ▪ Degree of protection: IP68 / NEMA 6P and IP66 / NEMA 4x ▪ Suitable for display modules: <ul style="list-style-type: none"> ▪ SD02 (push buttons) ▪ SD03 (touch control) ▪ Connecting cable: <ul style="list-style-type: none"> ▪ Cable supplied with device up to 30 m (98 ft) ▪ Standard cable supplied by customer up to 60 m (196 ft) ▪ Ambient temperature range: -40 to 80 °C (-40 to 176 °F) ▪ Ambient temperature range (option): -50 to 80 °C (-58 to 176 °F) ¹⁾ <p> i ▪ If the remote display should be used, order the device version "Prepared for display FHX50" (feature 030, version L, M or N). For the FHX50, you must select option A: "Prepared for display FHX50" under feature 050 "Measuring device version". </p> <p> i ▪ If the device version "Prepared for display FHX50" was not originally ordered and a FHX50 display is to be retrofitted, you must select version B "Not prepared for display FHX50" under feature 050: "Measuring device version" when ordering the FHX50. In this case, a retrofit kit for the device is supplied with the FHX50. The kit can be used to prepare the device so that the FHX50 can be used. </p> <p> i Use of the FHX50 may be restricted for transmitters with an approval. A device can only be retrofitted with the FHX50 if the option L, M or N ("Prepared for FHX50") is listed under <i>Basic specifications</i>, item 4 "Display, operation" in the Safety Instructions (XA) for the device. Also pay attention to the Safety Instructions (XA) of the FHX50. </p> <p> i Retrofitting is not possible on transmitters with: <ul style="list-style-type: none"> ▪ An approval for use in areas with flammable dust (dust ignition-proof approval) ▪ Ex nA type of protection </p> <p> i For details, see document SD01007F. </p>

1) This range is valid if option JN "Ambient temperature transmitter -50 °C (-58 °F)" has been selected in ordering feature 580 "Test, Certificate". If the temperature is permanently below -40 °C (-40 °F), failure rates may be increased.

Overvoltage protection

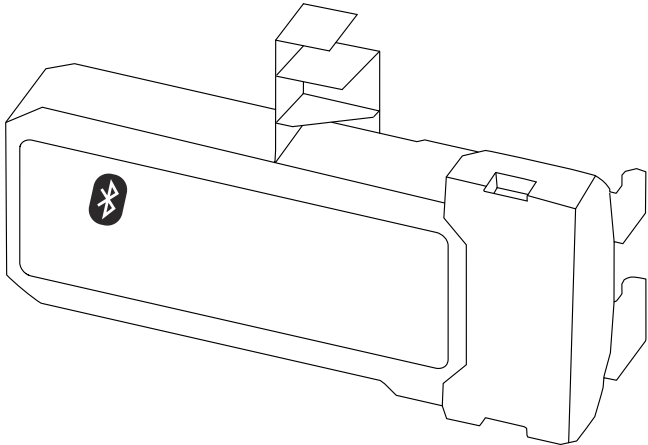
Accessory	Description
Overvoltage protection for 2-wire-devices OVP10 (1 channel) OVP20 (2 channel)	<div data-bbox="327 318 715 651" data-label="Image"> </div> <div data-bbox="1385 663 1437 676" data-label="Text"> <p>A0021734</p> </div> <p data-bbox="327 703 469 725">Technical data</p> <ul data-bbox="327 730 916 887" style="list-style-type: none"> ▪ Resistance per channel: $2 * 0.5 \Omega_{max}$ ▪ Threshold DC voltage: 400 to 700 V ▪ Threshold impulse voltage: < 800 V ▪ Capacitance at 1 MHz: < 1.5 pF ▪ Nominal arrest impulse voltage (8/20 μs): 10 kA ▪ Suited for wire cross-sections: 0.2 to 2.5 mm² (24 to 14 AWG) <p data-bbox="327 900 580 922">i Ordering with device</p> <p data-bbox="379 927 1385 1003">The overvoltage protection module is preferably ordered with the device. See product structure, feature 610 "Accessory mounted", option NA "Overvoltage protection". Separate ordering of the module is only necessary if a device is to be retrofitted with the overvoltage protection.</p> <p data-bbox="327 1016 632 1039">i Order code for retrofitting</p> <ul data-bbox="379 1043 903 1146" style="list-style-type: none"> ▪ For 1-channel devices (feature 020, option A) OVP10: 71128617 ▪ For 2-channel devices (feature 020, option B, C, E or G) OVP20 : 71128619 <p data-bbox="379 1160 635 1182">Housing lid for retrofitting</p> <p data-bbox="379 1187 1422 1240">In order to keep the necessary safety distances, the housing lid needs to be replaced if the device is retrofitted with the overvoltage protection. Depending on the housing type, the order code of the suitable lid is as follows:</p> <ul data-bbox="379 1245 676 1317" style="list-style-type: none"> ▪ GT18 housing: Lid 71185516 ▪ GT19 housing: Lid 71185518 ▪ GT20 housing: Lid 71185516 <p data-bbox="327 1330 641 1352">i Restrictions for retrofitting</p> <p data-bbox="379 1357 1430 1433">Depending on the approval of the transmitter the usage of the OVP module may be restricted. A device may only be retrofitted with an OVP module if the option NA (overvoltage protection) is quoted under <i>Optional Specifications</i> in the Safety Instructions (XA) pertaining to the device.</p> <p data-bbox="327 1447 657 1469">i For details refer to SD01090F.</p>

Gas-tight feedthrough

Chemically inert glass feedthrough; prevents gases from entering the electronics housing

To order with the device: product structure, feature 610 "Accessory mounted", option NC "Gas-tight feedthrough"

Bluetooth module for HART devices

Accessory	Description
Bluetooth module	<div style="text-align: right; margin-bottom: 10px;">A0036493</div>  <ul style="list-style-type: none"> ▪ Quick and easy commissioning via SmartBlue (app) ▪ No additional tools or adapters required ▪ Signal curve via SmartBlue (app) ▪ Encrypted single point-to-point data transmission (tested by Fraunhofer institute) and password protected communication via Bluetooth® wireless technology ▪ Range under reference conditions: > 10 m (33 ft) <p>i When using the Bluetooth module the minimum supply voltage increases by up to 3 V.</p> <p>i Ordering with device The Bluetooth module is preferably ordered with the device. See product structure, feature 610 "Accessory Mounted", option NF "Bluetooth". A separate order is only necessary in case of retrofitting.</p> <p>i Order code for retrofitting Bluetooth module (BT10): 71377355</p> <p>i Restrictions in case of retrofitting Depending on the approval of the transmitter, application of the Bluetooth module may be restricted. A device may only be retrofitted with a Bluetooth module if the option <i>NF</i> (Bluetooth) is listed in the associated Safety Instructions (XA) under <i>Optional specifications</i>.</p> <p>i For details refer to SD02252F.</p>

Communication-specific accessories

Commubox FXA195 HART

For intrinsically safe HART communication with FieldCare via the USB interface



For details, see "Technical Information" TI00404F

Commubox FXA291

Connects Endress+Hauser field devices with a CDI interface (= Endress+Hauser Common Data Interface) and the USB port of a computer or laptop

Order number: 51516983



For details, see "Technical Information" TI00405C

HART Loop Converter HMX50

Is used to evaluate and convert dynamic HART process variables to analog current signals or limit values

Order number: 71063562



For details, see "Technical Information" TI00429F and Operating Instructions BA00371F

WirelessHART adapter SWA70

- Is used for the wireless connection of field devices
- The WirelessHART adapter can be easily integrated into field devices and existing infrastructures, offers data protection and transmission safety and can be operated in parallel with other wireless networks



For details, see Operating Instructions BA00061S

Connect Sensor FXA30/FXA30B

Fully integrated, battery-powered gateway for simple applications with SupplyCare Hosting. Up to 4 field devices with 4 to 20 mA communication (FXA30/FXA30B), serial Modbus (FXA30B) or HART (FXA30B) can be connected. With its robust design and ability to run for years on the battery, it is ideal for remote monitoring in isolated locations. Version with LTE (USA, Canada and Mexico only) or 3G mobile transmission for worldwide communication.



For details, see "Technical Information" TI01356S and Operating Instructions BA01710S.

Fieldgate FXA42

Fieldgates enable communication between connected 4 to 20 mA, Modbus RS485 and Modbus TCP devices and SupplyCare Hosting or SupplyCare Enterprise. The signals are transmitted either via Ethernet TCP/IP, WLAN or mobile communications (UMTS). Advanced automation capabilities are available, such as an integrated Web-PLC, OpenVPN and other functions.



For details, see "Technical Information" TI01297S and Operating Instructions BA01778S.

SupplyCare Enterprise SCE30B

Inventory management software that displays the level, volume, mass, temperature, pressure, density or other parameters of tanks. The parameters are recorded and transmitted by means of gateways like Fieldgate FXA42, Connect Sensor FXA30B or other gateway types. This Web-based software is installed on a local server and can also be visualized and operated with mobile terminals such as a smartphone or tablet.



For details, see Technical Information TI01228S and Operating Instructions BA00055S

SupplyCare Hosting SCH30

Inventory management software that displays the level, volume, mass, temperature, pressure, density or other parameters of tanks. The parameters are recorded and transmitted by means of gateways like Fieldgate FXA42, Connect Sensor FXA30B or other gateway types. SupplyCare Hosting is offered as a hosting service (Software as a Service, SaaS). In the Endress+Hauser portal, the user is provided with the data over the Internet.



For details, see Technical Information TI01229S and Operating Instructions BA00050S

Field Xpert SFX350

Field Xpert SFX350 is a mobile computer for commissioning and maintenance. It enables efficient device configuration and diagnostics for HART and FOUNDATION Fieldbus devices in the **non-Ex area**.



For details, see Operating Instructions BA01202S

Field Xpert SFX370

Field Xpert SFX370 is a mobile computer for commissioning and maintenance. It enables efficient device configuration and diagnostics for HART and FOUNDATION Fieldbus devices in the **non-Ex area** and the **Ex area**.



For details, see Operating Instructions BA01202S

Service-specific accessories

DeviceCare SFE100

Configuration tool for HART, PROFIBUS and FOUNDATION Fieldbus field devices



Technical Information TI01134S

FieldCare SFE500

FDT-based plant asset management tool

It can configure all smart field units in your system and helps you manage them. By using the status information, it is also a simple but effective way of checking their status and condition.



Technical Information TI00028S

System components

Memograph M graphic data manager

The Memograph M graphic data manager provides information on all the relevant process variables. Measured values are recorded correctly, limit values are monitored and measuring points analyzed. The data are stored in the 256 MB internal memory and also on a SD card or USB stick.



Technical Information TI00133R and Operating Instructions BA00247R

RN221N

Active barrier with power supply for safe separation of 4 to 20 mA standard signal circuits. Offers bidirectional HART transmission.



Technical Information TI00073R and Operating Instructions BA00202R

RN221

Supply unit for powering two 2-wire measuring devices solely in the non-Ex area. Bidirectional communication is possible via the HART communication jacks.



Technical Information TI00081R and Brief Operating Instructions KA00110R

Supplementary documentation

The following documentation types are available in the Downloads section of the Endress+Hauser website (www.endress.com/downloads):



For an overview of the scope of the associated Technical Documentation, refer to the following:

- *W@M Device Viewer* (www.endress.com/deviceviewer): Enter the serial number from nameplate
- *Endress+Hauser Operations App*: Enter the serial number from the nameplate or scan the 2D matrix code (QR code) on the nameplate

Brief Operating Instructions (KA)

Guide that takes you quickly to the 1st measured value

The Brief Operating Instructions contain all the essential information from incoming acceptance to initial commissioning.

Operating Instructions (BA)

Your reference guide

These Operating Instructions contain all the information that is required in various phases of the life cycle of the device: from product identification, incoming acceptance and storage, to mounting, connection, operation and commissioning through to troubleshooting, maintenance and disposal.

Safety Instructions (XA)

Depending on the approval, the following Safety Instructions (XA) are supplied with the device. They are an integral part of the Operating Instructions.



The nameplate indicates the Safety Instructions (XA) that are relevant to the device.



www.addresses.endress.com
