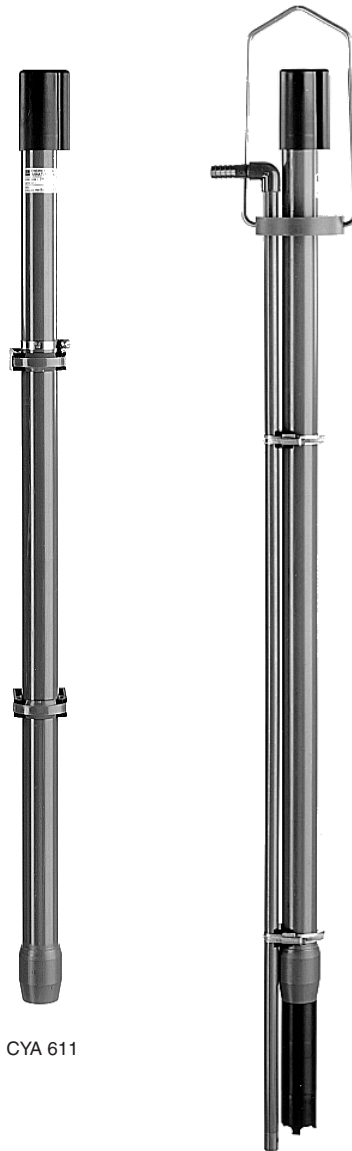


PVC Immersion Assembly *DipFit W CYA 611*

Immersion assembly for oxygen and turbidity sensors and compact pH/redox electrode CPF 81



CYA 611

CYA 611 with
suspension bracket, spray
cleaning set and sensor
(e.g. COS 4)

Areas of application

The immersion assembly CYA 611 is used for simple installation of sensors equipped with G 1" and NPT 3/4" threads. It is designed for use in open channels, basins and tanks.

Typical applications are:

- Sewage treatment plant inflow and discharge monitoring
- Sewer monitoring
- Oxygen/solids content measurement in activated sludge basins
- Redox measurement in denitrification systems
- pH measurement for precipitating agent dosing
- pH measurement for waste water neutralisation
- Service water monitoring
- River water monitoring

Benefits at a glance

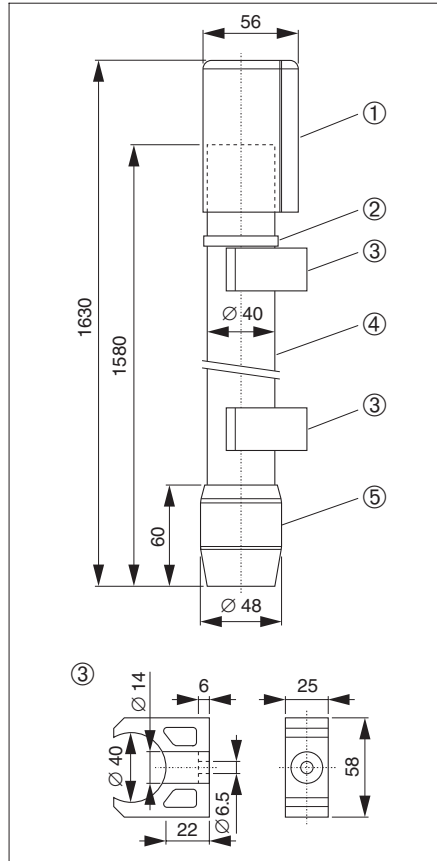
- Simple and economical wall installation with pipe clamps
- Individual adaptation of assembly length is possible
- Immersion depth adjustable by user via worm drive hose clip
- Simple sensor installation via G 1" and NPT 3/4" threads
- 3 mounting types are possible:
 - wall installation
 - suspension bracket
 - pendulum frame
- Assembly is also available as an economically priced individual parts set
- Spray cleaning function can be retrofitted without modification of assembly

Endress+Hauser

The Power of Know How



Versions



CYA 611:
Components and
dimensions

- ① Protection cap
- ② Worm drive hose clip
- ③ Pipe clamps
- ④ PVC pipe
- ⑤ Threaded coupling

In the *standard version*, the assembly CYA 611-0 is completely assembled, and two pipe clamps and one worm drive hose clip for wall mounting are supplied.

The *individual parts set* CYA 611-1 comprises:

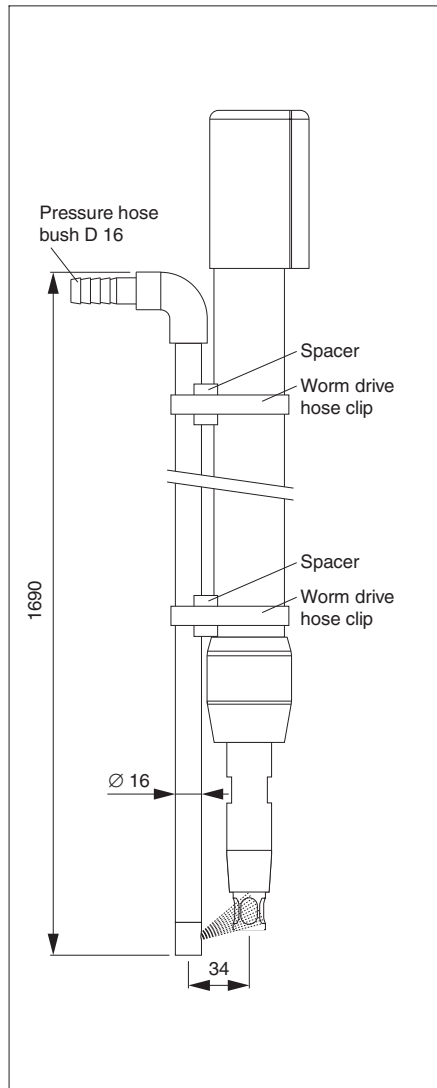
- 1 × protection cap ①
- 1 × worm drive hose clip ②
- 2 × pipe clamps ③
- 1 × threaded coupling ⑤

The required PVC pipe measuring 40 × 3 mm (outside diameter × wall thickness according to DIN 8062) is to be provided by the customer.

Our recommendations for the required PVC adhesive are:

- Tangit, manufactured by Henkel
- PeViCol, manufactured by ASV Stübbe

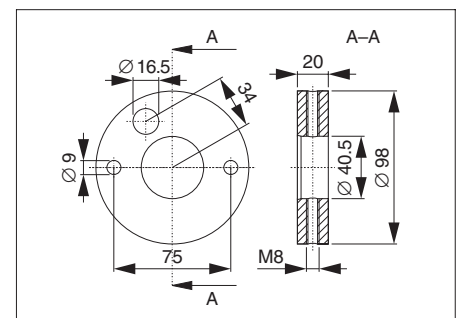
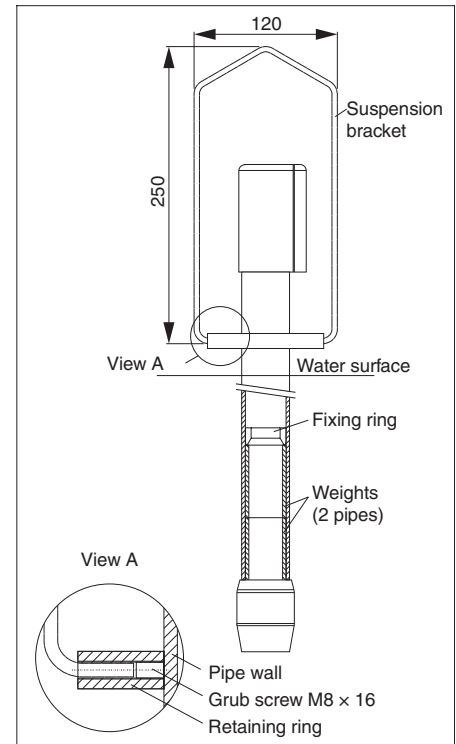
Accessories



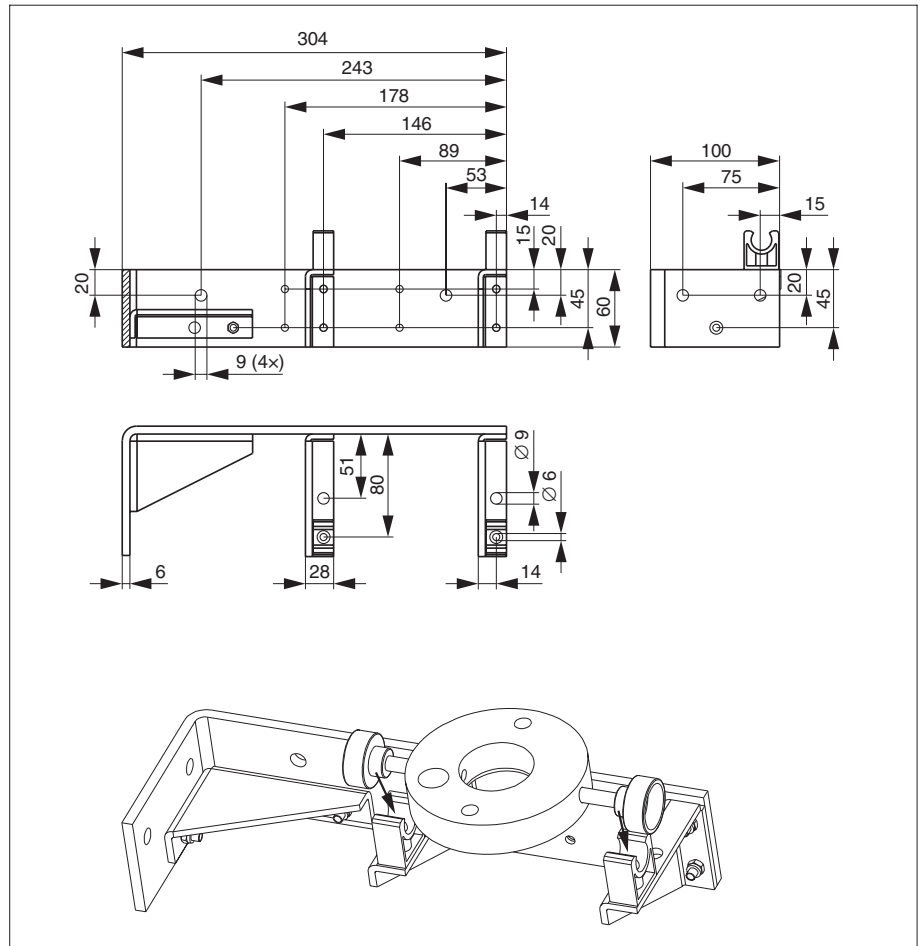
- Left:
Spray cleaning set for CYA 611
- For all sensors
 - Can be retrofitted
 - Modification of assembly not required
 - Simple installation with worm drive hose clips made of stainless steel 1.4401

Top right:
Attachment with suspension bracket

Bottom right:
Dimensions of retaining ring for attachment of suspension bracket



Accessories (cont.)



- Pendulum frame
- For mounting on basin rim or channel wall
 - Made of stainless steel 1.4301

- ❑ Mounting set for CYA 611 for installation with suspension bracket and pendulum frame (order no. 50085874)
- ❑ Spray cleaning set for CYA 611 for installation (or retrofitting) on CYA 611 (order no. 50086336)
- ❑ Pendulum frame for pendulous suspension of assemblies CPA 111, CLA 111, CPA 510 and CYA 611 (order no. 50080196)
- ❑ Universal suspension assembly holder CYH 101-A see Technical Information TI 092C/07/en
- ❑ Cleaning injector CYR 10 see Technical Information TI 046C/07/en

Technical data

Assembly CYA 611

General data

Manufacturer	Endress+Hauser Conducta GmbH+Co.
Designation	DipFit W CYA 611

Operating conditions

Operating pressure	unpressurised
Ambient temperature	0 .. 60 °C

Design

Total length	1630 mm
Pipe diameter / wall thickness (acc. to DIN 8062)	40 mm / 3 mm
Max. immersion depth	approx. 1400 mm
Cable entry	Ø 10 mm
Weight	approx. 1 kg
Mounting thread	Version A: G 1"; version B: NPT ¾"

Materials

Immersion tube	PVC-U
Protection cap	PA
Wall attachment	PE
Worm drive hose clip	stainless steel 1.4401

Technical data (cont.)

Mounting set for CYA 611**Design**

Additional weight (2 pipes)	2 x 0.35 kg
-----------------------------	-------------

Materials

Suspension bracket	stainless steel 1.4571
Additional weight	stainless steel 1.4301

How to order

PVC immersion assembly DipFit W CYA 611**Version**

- 0 Completely assembled with pipe
- 1 Kit (OD 40 x 3 pipe to be provided by customer)
- 9 Special version

Sensor connection

- A G 1" thread (e.g. for COS, CUS)
- B NPT ¾" thread (e.g. for CPF 81)
- Y Special version

CYA 611- **complete order code**

Supplementary documentation

- PVC immersion assembly CYA 611
Operating Instructions BA 166C/07/en
order no. 50085800
- Cleaning injector CYR 10
Technical Information TI 046C/07/en
order no. 50014223
- Universal suspension assembly
holder CYH 101
Technical Information TI 092C/07/en
order no. 50061228

Endress+Hauser GmbH+Co.
- Instruments International -
P.O. Box 2222
D-79574 Weil am Rhein
Tel. (07621) 975 - 02
Fax (07621) 975345

Endress+Hauser
The Power of Know How

