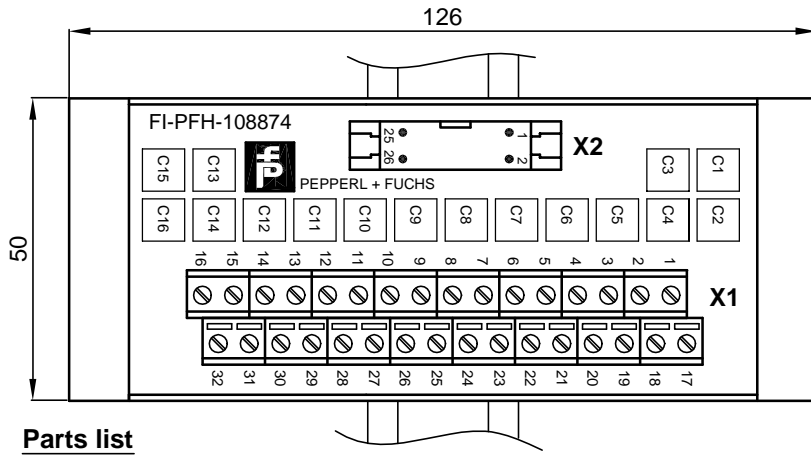


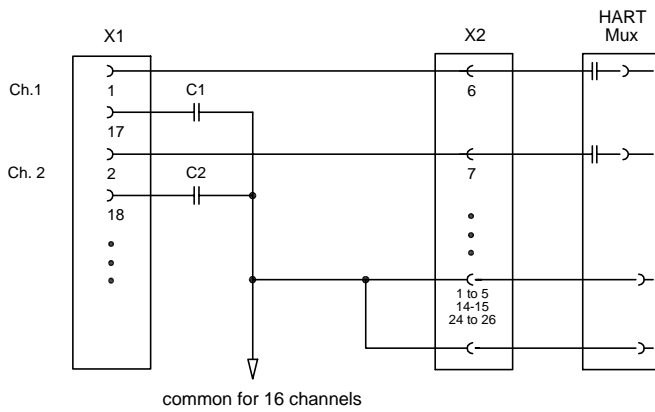
1. Design



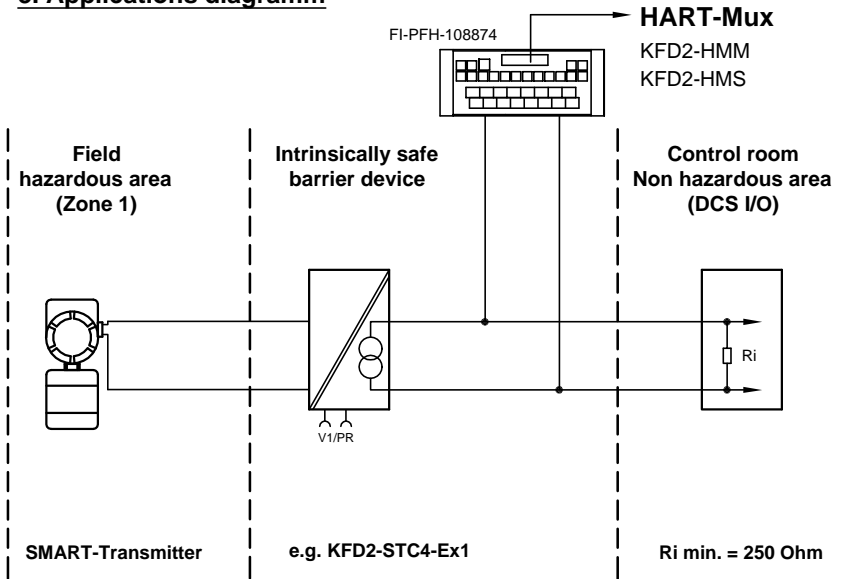
Parts list

Housing Fab. Phoenix
 X1: 32 pin screw terminals
 X2: 26 pin male connector type HART

2. Loop for channel No. 1 and 2



3. Applications diagramm



4. Pinning

Channel	Screw terminals	IDC (HART)
	X1	X2
1 +	1	6
1 -	17	
2 +	2	7
2 -	18	
3 +	3	8
3 -	19	
4 +	4	9
4 -	20	
5 +	5	10
5 -	21	
6 +	6	11
6 -	22	
7 +	7	12
7 -	23	
8 +	8	13
8 -	24	
9 +	9	16
9 -	25	
10 +	10	17
10 -	26	
11 +	11	18
11 -	27	
12 +	12	19
12 -	28	
13 +	13	20
13 -	29	
14 +	14	21
14 -	30	
15 +	15	22
15 -	31	
16 +	16	23
16 -	32	
		1 to 5
		14 - 15
		24 to 26

C1 - C16 : capacitor 4,7 µF 50V Partnr.:067122

23.11.00		vB	vB	Sb/vB	
Date	S	TD	Off. in ch.	contr. techn.	contr. Norm
Dept.: PA-VP	A: vB/DN		36-9104		Sheet 1
Up date: 28.02.01	Replaces: XXXXXX / 36-XXXX		Scale: 1 : 1.25		