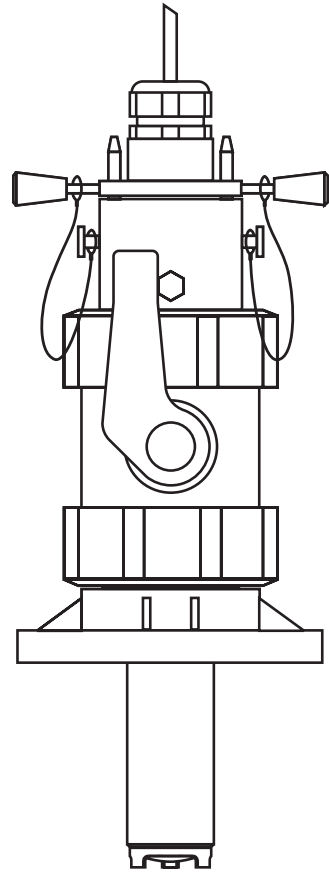
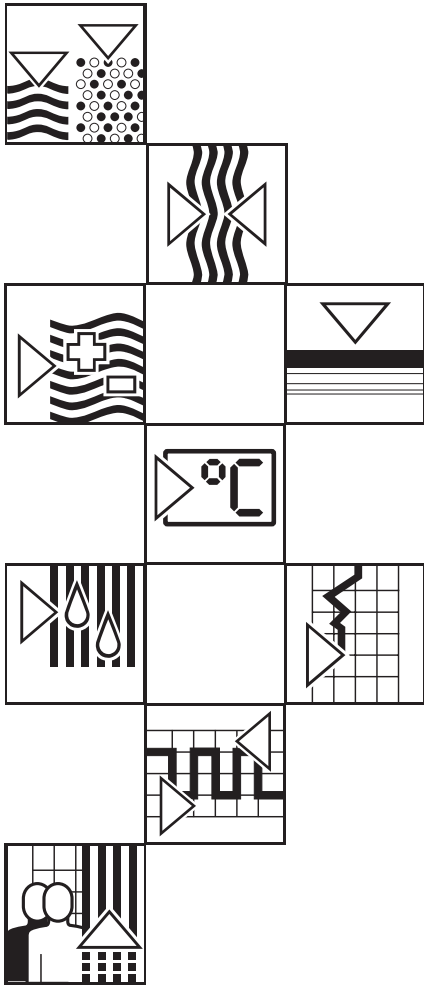


ProbFit **COA 461** **Retractable Assembly** **for Oxygen** **Measurement**

Operating Instructions



Quality made by
Endress+Hauser



ISO 9001

Endress + Hauser

Nothing beats know-how



Table of contents

1	General information	2
1.1	Symbols used	2
1.2	Safety notes	2
2	Description	3
2.1	Areas of application	3
2.2	Design of COA 461 assembly	3
2.3	Function	4
2.4	Assembly variants	4
2.5	Accessories	5
3	Installation	6
3.1	Unpacking	6
3.2	Dimensions	6
3.3	Installation and application notes	7
3.4	Installation of oxygen sensor in assembly	8
3.5	Rinse ports	8
4	Operation	9
4.1	Moving the sensor into the process space, measurement	9
4.2	Withdrawing the sensor from the ongoing process	9
4.3	Calibration	10
5	Maintenance	11
5.1	Cleaning of oxygen sensor and assembly	11
5.2	Seals and spare parts	11
5.3	Repairs	11
6	Appendix	12
6.1	Technical data	12
6.2	Index	13

1 General information

1.1 Symbols used

**Warning:**

This symbol alerts to hazards which may cause irreparable damage.

**Caution:**

This symbol alerts to possible malfunction due to operator error.

**Note:**

This symbol indicates important items of information.

1.2 Safety notes

**Warning:**

Operating the assembly in any way other than as intended may compromise the safety and function of the assembly and corresponding measuring system and is therefore impermissible.

This device may only be installed, commissioned, operated and serviced by properly trained specialist personnel authorised by the system operator.

The specialist personnel must be familiar with and adhere to these operating instructions.

2 Description

2.1 Areas of application

The retractable assembly ProbFit COA 461 is primarily used in the water and sewage treatment areas. It can be used to install a COS 3 or COS 3S sensor for dissolved oxygen on a pipe or tank in such a manner as to permit sensor checks and cleaning without interrupting the process.

This manually operated assembly permits the sensor to be moved into and withdrawn from the process space under process conditions (up to 2 bar at 20 °C, up to 1 bar at 50 °C). All parts in contact with the medium are made of polypropylene (PP), the seals consist of EPDM or Viton. The process connection is established via a DN 50 DIN flange or a 2" ANSI flange.

2.2 Design of COA 461 assembly

The following drawing shows the design of the COA 461 assembly:

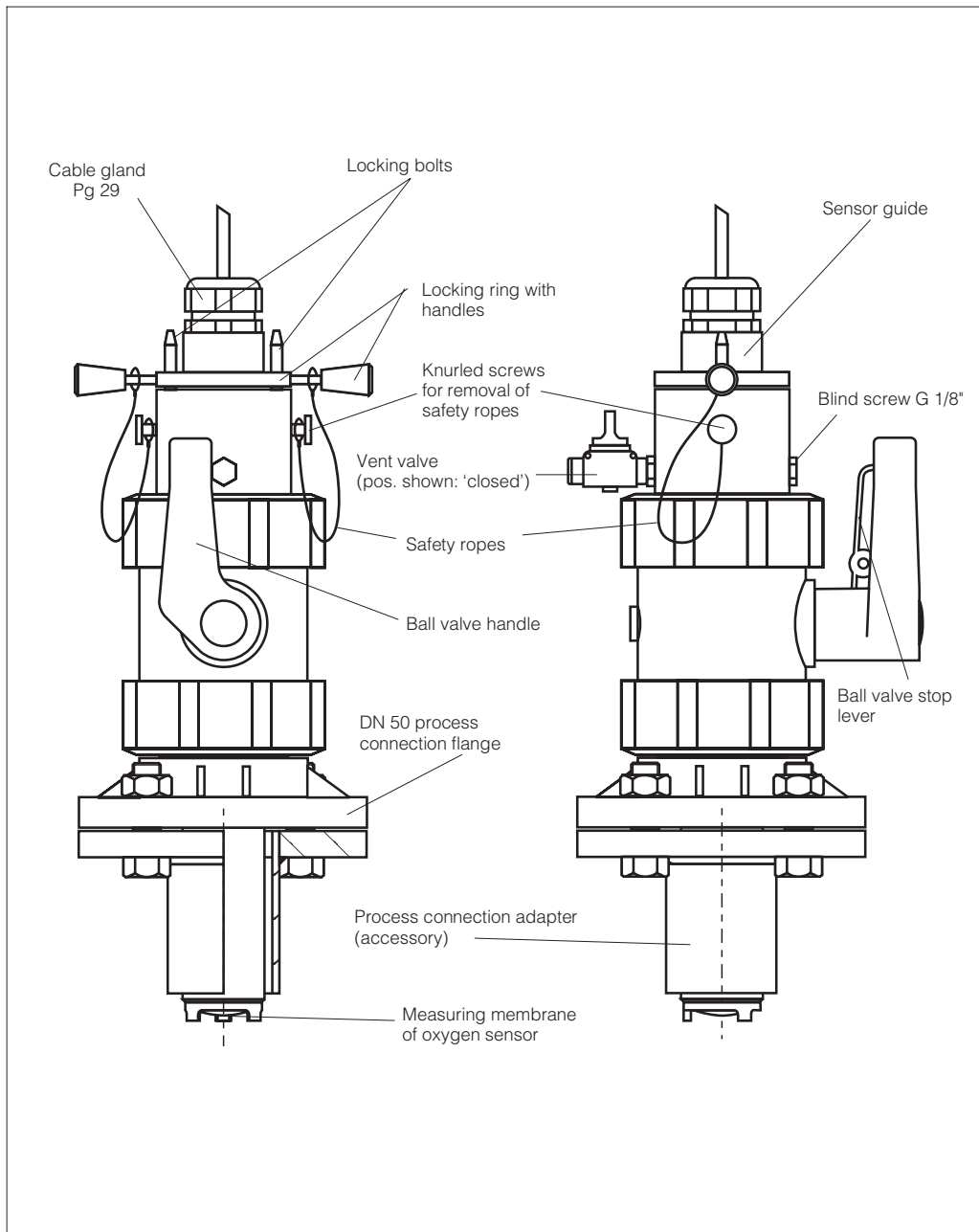


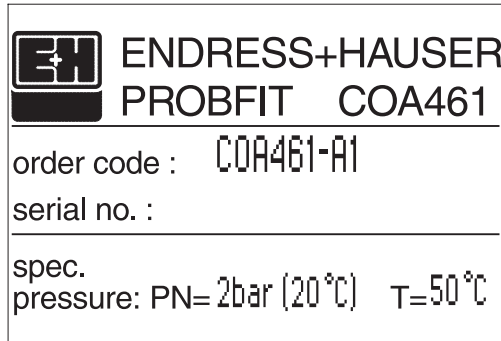
Fig. 2.1 Design of assembly ProbFit COA 461

2.3 Function

The sensor guide with the built-in oxygen sensor COS 3 or COS 3S is moved into the process space by hand for measurement.

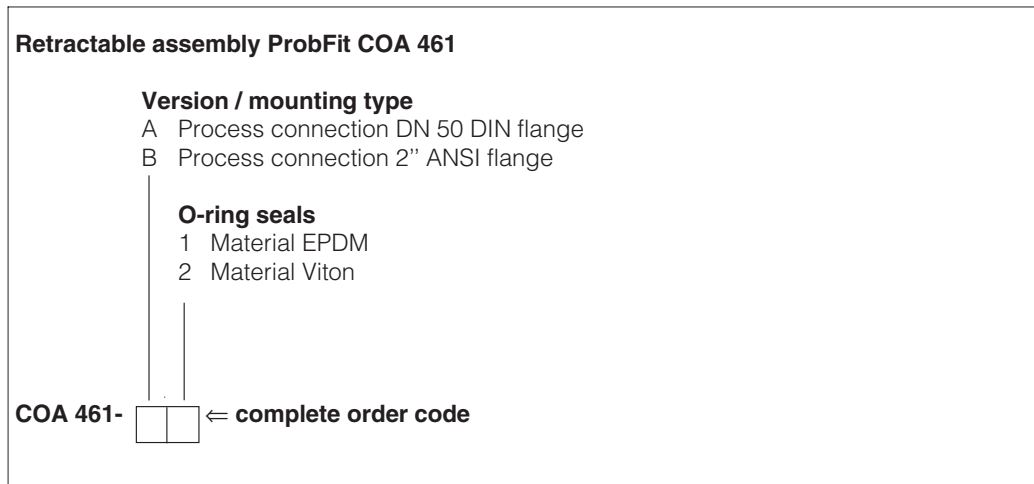
The sensor guide can be withdrawn to the service position without interrupting the process. The interior of the assembly is sealed off from the process by closing the ball valve. The oxygen sensor can then be cleaned, calibrated or replaced.

2.4 Assembly variants



The order code on the rating plate can be used to identify the assembly variant by comparison with the following chart:

Fig. 2.2 Rating plate of COA 461



2.5 Accessories

Adapter for process connection:
 Welded fitting for pipe diameters of more than 80 mm, with DN 50 / 2" ANSI combination flange, flange seal, 4 M16x60 screws, 4 M16 nuts and 4 M16 washers

Version	Order number
Special steel 1.4571	50080249
Polyvinyl chloride PVC	50080250
Polypropylene PP	50080251

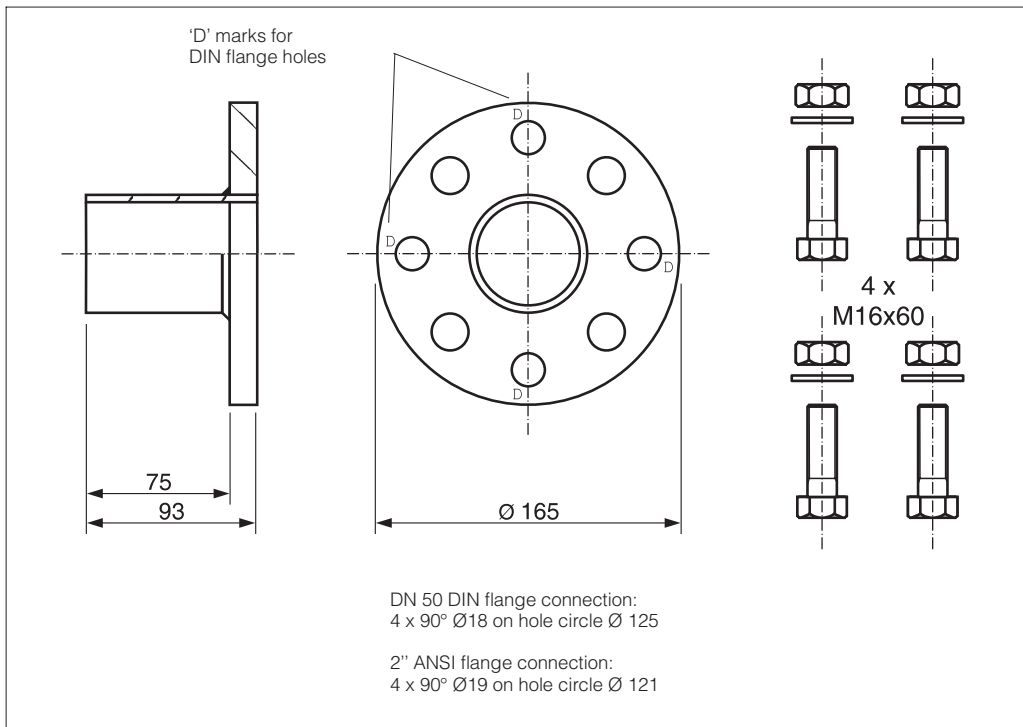


Fig. 2.3: Process connection adapter for COA 461

3 Installation

3.1 Unpacking

- Verify that the contents are undamaged! Inform the post office or freight carrier as well as the supplier of any damage.
- Check that the delivery is complete and agrees with the shipping papers and your order:
 - Quantity delivered
 - Assembly type and version according to rating plate (see chapter 2.4)
 - Operating instructions
 - Accessories (process connection adapter)

- Keep the original packaging materials for future storage or shipping of the assembly.

If you have any questions, consult your supplier or the Endress+Hauser sales agency in your area (see back cover of these operating instructions for addresses).

3.2 Dimensions

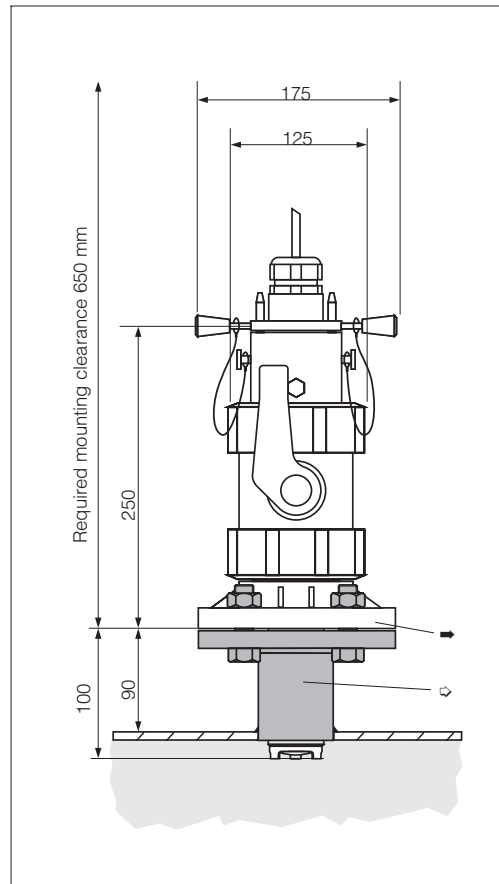


Fig. 3.1: Dimensions of ProbFit COA 461
 ➔ Process connection: DIN flange DN 50 or 2" ANSI
 ⇨ Process connection adapter (accessory)

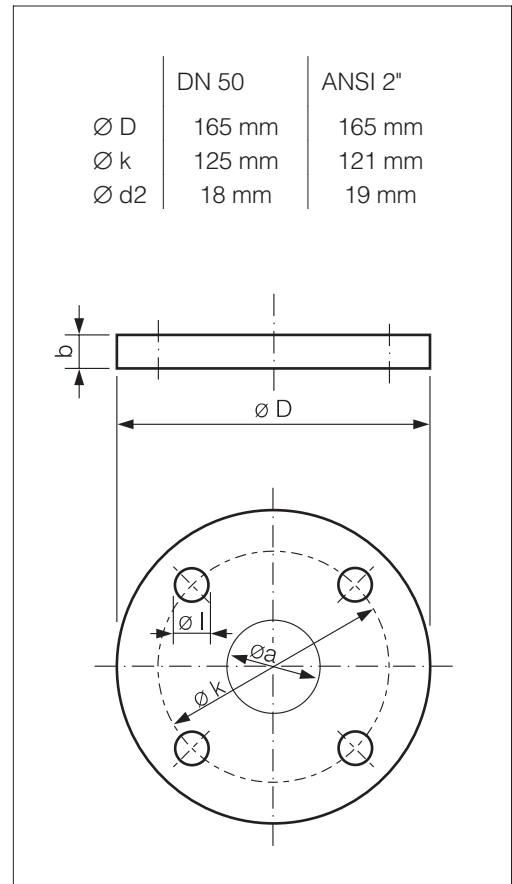


Fig.3.2: Flange dimensions

3.3 Installation and application notes

The COA 461 assembly with the built-in oxygen sensor should preferably be installed in places with a constant flow rate below 0.5 m/s. The pipe diameter should be no less than DN 80.

Optimal installation conditions can be obtained by using the process connection adapter (see chapter 2.5 'Accessories').



Caution:

Do not install the assembly in places where air may collect, where foam bubbles are likely to form or where constituents may settle. Inaccurate measurement may result if the sensor is not completely immersed in the medium or if the measuring membrane is covered up by deposits.

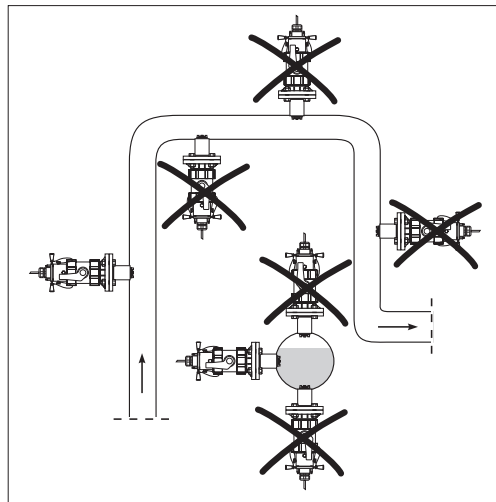


Fig. 3.3: Recommended installation positions for ProbFit COA 461

Align the protection guard of the oxygen sensor integrated in the assembly such that unobstructed medium flow towards the measuring membrane is assured at flow rates over 0.5 m/s. This prevents inaccurate measurement due to cavitation effects.

Unscrew the upper union of the ball valve housing one quarter turn, align the protection guard by rotating the guide body, and hand-tighten the union.



Warning:

The sensor may only be aligned when the pipe is empty and unpressurised.

Proper access to the place of installation must be assured. To remove the sensor from its guide, a clearance of at least 650 mm, measured from the lower flange edge, is required. The ball valve locking handle, the locking ring and its handles and the places where the safety ropes are attached must also be easily accessible.

When mounting the assembly, the screws are to be inserted from the flange side towards the assembly. Adequate clearance is required.



Note:

After an appropriate period of time following the initial start-up, the sensor should be checked for soiling and deposits.

The sensor must be removed from the assembly for checks and cleaning. See chapter 5.1 for sensor cleaning.

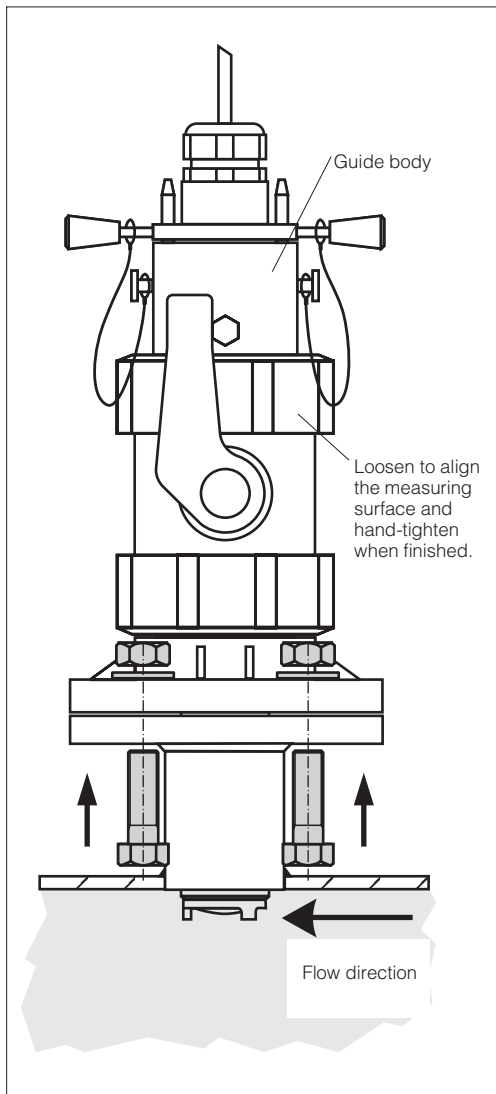
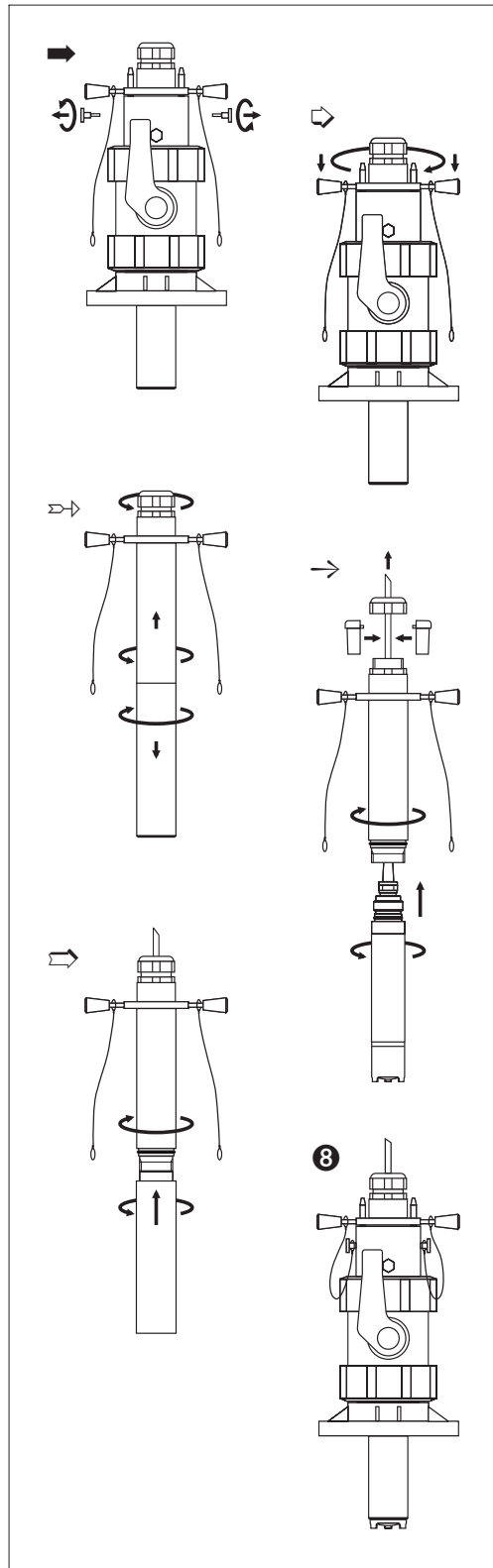


Fig. 3.4: Insertion of screws for assembly mounting

3.4 Installation of oxygen sensor in assembly



Oxygen sensors COS 3 or COS 3S can be installed.

Proceed as follows to install the oxygen sensor in the unmounted assembly:

- ➔ Loosen the knurled screws that are used to attach the safety ropes to the assembly.
- Push the locking ring down slightly by exerting pressure on its two handles and turn clockwise all the way (top view of assembly). Hold the assembly by the process connection flange and pull the sensor guide out all the way by the locking ring handles.
- Remove the screws that hold together the two parts of the sensor guide. Unscrew the cap from the Pg 29 cable gland and remove the split clamping insert.
- ➔ Insert the sensor cable through the top of the guide **and** the cable gland from below and screw the sensor into the sensor holding thread. Make sure the O-ring on the sensor is properly seated. Place the two halves of the cable gland clamping insert around the sensor cable and insert in the union. Do not pull the sensor cable tight! Install and tighten the top part of the cable gland.
- Screw the bottom of the sensor guide back on. Make sure the O-rings are properly seated. Carefully insert the sensor guide in the assembly and push down approx. 100 mm.
- ⑧ Reattach the safety ropes with the knurled screws. Close the vent valve before mounting the assembly.

The oxygen sensor is now installed, and the assembly can be mounted.

Fig. 3.5: Installation of oxygen sensor

3.5 Rinse ports

Remove the blind screw and the vent valve to use the resulting two openings (G 1/8") as rinse ports. These can be used to pass water or cleaning agent through the assembly.

4 Operation

4.1 Moving the sensor into the process space, measurement



Warning:

Make sure that the oxygen sensor has been properly installed before moving the assembly into the process space. Fasten the safety ropes properly and close the vent valve before opening the ball valve.

- To open the ball valve, push down on the locking lever on the ball valve handle.
- Push the sensor guide all the way in by the locking ring handles.
- Push the locking ring down vertically and turn counterclockwise to latch the locking ring in under the locking bolts.

4.2 Withdrawing the sensor from the ongoing process

Withdrawal from the process space



Warning:

Before retracting the assembly, make sure that the safety ropes are properly fastened. When you loosen the locking ring, the process pressure may push out the sensor guide.

In the case of process pressures of more than 1 bar, the membrane of the oxygen sensor may be damaged by an abrupt release of pressure, i.e. it may form an outward bulge under the pressure in the electrolyte chamber.

Release the pressure slowly, e.g. by installing an extra valve in the pipe section in which the assembly is installed, and decreasing the pressure gradually over an extended period of time.

- Push the locking ring down slightly by its two handles and turn clockwise all the way (top view of assembly).
- Pull out the sensor guide until the safety ropes are tight.
- Close the ball valve. It is locked in the closed position.
- Open the vent valve and wait until the overpressure is released, then close the valve once more.

Sensor removal and cleaning

Now you can remove and clean or calibrate the sensor guide and the oxygen sensor as described in chapter 3.4.



Caution:

Flush the assembly with water after sensor guide removal.

Do not allow medium residue, e.g. activated sludge, to dry on the assembly and turbidity sensor.

Dried-up residue may impair the function of the assembly and the sensor and is difficult to remove.

4.3 Calibration

To assure the reliability of the oxygen measurement, the measuring system must be calibrated regularly and carefully. The calibration intervals depend on individual operating conditions and the desired accuracy.

The intervals between calibrations must be determined individually for each application. Typical calibration intervals for common applications are:

- Drinking water: 1 - 6 months
- Water monitoring: 1 - 4 months
- Communal waste water: 2 weeks to 3 months
- Industrial waste water: 1 week to 2 months

The oxygen sensor must be removed from the assembly for calibration (see chapters 4.2 and 3.4).

The calibration procedure is described in the operating instructions for the oxygen sensor COS 3 / COS 3S (see BA 065C, chapter 6)



Caution:

Adherence to the notes on calibration and electrolyte replacement in the oxygen sensor operating instructions is mandatory.

5 Maintenance

5.1 Cleaning of oxygen sensor and assembly

Deposits on the sensor membrane can render the measurement inaccurate. Therefore the sensor must be cleaned at specific time intervals. These intervals depend on each individual system and are to be determined based on operator experience.

The sensor membrane and assembly are to be cleaned with the following agents according to the type of soiling:

- Salt deposits: Immerse the sensor in drinking water or in 1-5 % hydrochloric acid for a few minutes and rinse subsequently.
- General soiling: Clean the sensor body (not the membrane!) with water and a brush. Carefully clean the membrane with water and a sponge.



Caution:

Do not damage the membrane with sharp objects.

5.2 Seals and spare parts

A spare parts kit comprising four O-ring seals and one vent valve is available for the COA 461 assembly.

To replace the O-ring seals, dismantle the assembly as described in chapters 4.2 and 3.4.

Version	Order number
EPDM	50082663
Viton	50082665

Lubricate the seals and sensor guide with a suitable assembly grease during assembly.

5.3 Repairs

Repairs may be performed at the manufacturer's works or by the Endress+Hauser Service Organization only. Refer to the back cover of these operating instructions for an overview of the Endress+ Hauser service network.

6 Appendix

6.1 Technical data

Materials in contact with medium	PP, partially glass fibre-reinforced
O-ring seals in contact with medium	EPDM / Viton
Dimensions of O-rings in sensor guide	48.9 x 2.62
Dimensions of O-rings in sensor sleeve	41.0 x 1.78
Locking ring, bolts	special steel
Safety ropes	special steel 1.4301, tensile strength 200 kp
Process connection	DN 50 DIN flange / 2" ANSI flange
Process pressure	max. 2 bar at 20 °C or max. 1 bar at 50 °C
Temperature	max. 50 °C
Rinse ports	G 1/8"
Dimensions:	
Sensor moved out	installation height: 300 mm
Sensor retracted	required clearance above flange: 650 mm
Immersion depth	100 mm from lower flange edge to beginning of inclined sensor face
Weight	approx. 3 kg
Sensor mounting	G 1"

6.2 Index

A		O	
Accessories	5 - 6	O-ring seals	11
Accuracy and reliability	10	Operation	9 - 10
Adapter for process connection	5	Order code	4
Alignment of measuring membrane	7	Overpressure	9
Application notes	7	P	
Areas of application	3	Packaging materials	6
Assembly variants	4	Place of installation	7
B		Pressure	9
Ball valve	9	Process connection adapter	7
C		Process space	9
Cable gland	8	R	
Calibration	10	Rating plate	4
Cleaning	7, 11	Retraction of sensor	9
Compressed air	12	Rinse port	8
D		S	
Deposits	7, 11	Safety ropes	8
Description of assembly	3 - 5	Scope of delivery	6
Design of COA 461 assembly	3	Sensor guide	8 - 9
Dimensions	6	Soiling	7
F		T	
Function	4	Technical data	12
I		U	
Installation	6 - 8	Unpacking	6
Installation notes	7	V	
Installation of oxygen sensor	8	Vent valve	8
K		W	
Knurled screws	8	Welded fitting	5
L			
Locking lever	9		
Locking ring	9		
M			
Maintenance	11		
Materials	12		
Membrane	9, 11		
Mounting clearance	6		
Moving sensor into medium	9		

Europe

Austria

□ Endress+Hauser Ges.m.b.H.
Wien
Tel. (02 22) 8 80 56-0, Fax (02 22) 8 80 56-35

Belarus

Belorgsintez
Minsk
Tel. (01 72) 26 31 66, Fax (01 72) 26 31 11

Belgium

□ Endress+Hauser S.A./N.V.
Brussels
Tel. (02) 2 48 06 00, Fax (02) 2 48 05 53

Bulgaria

INTERTECH-AUTOMATION
Sofia
Tel. (02) 65 28 09, Fax (02) 65 28 09

Croatia

□ Endress+Hauser GmbH+Co.
Zagreb
Tel. (01) 41 58 12, Fax (01) 44 78 59

Cyprus

I+G Electrical Services Co. Ltd.
Nicosia
Tel. (02) 48 47 88, Fax (02) 48 46 90

Czech Republic

□ Endress+Hauser GmbH+Co.
Ostrava
Tel. (069) 6 61 19 48, Fax (069) 6 61 28 69

Denmark

□ Endress+Hauser A/S
Soborg
Tel. (31) 67 31 22, Fax (31) 67 30 45

Estonia

Elvi-Aqua-Teh
Tartu
Tel. (7) 42 27 26, Fax (7) 42 27 26

Finland

□ Endress+Hauser Oy
Espoo
Tel. (90) 8 59 61 55, Fax (90) 8 59 60 55

France

□ Endress+Hauser
Huningue
Tel. (03) 89 69 67 68, Fax (03) 89 69 48 02

Germany

□ Endress+Hauser Meßtechnik GmbH+Co.
Weil am Rhein
Tel. (0 76 21) 9 75-01, Fax (0 76 21) 9 75-55 55

Great Britain

□ Endress+Hauser Ltd.
Manchester
Tel. (01 61) 2 86 50 00, Fax (01 61) 9 98 18 41

Greece

I & G Building Services Automation S.A.
Athens
Tel. (01) 9 24 15 00, Fax (01) 9 22 17 14

Hungary

Mile Ipari-Elektro
Budapest
Tel. (01) 2 61 55 35, Fax (01) 2 61 55 35

Iceland

Vatnshreinsun HF
Reykjavik
Tel. (05) 88 96 16, Fax (05) 33 20 22

Ireland

Flomeaco Company Ltd.
Kildare
Tel. (0 45) 86 86 15, Fax (0 45) 86 81 82

Italy

□ Endress+Hauser Italia S.p.A.
Cernusco s/N Milano
Tel. (02) 92 10 64 21, Fax (02) 92 10 71 53

Latvia

Raita Ltd.
Riga
Tel. (02) 25 47 95, Fax (02) 7 25 89 33

Lithuania

Agava Ltd.
Kaunas
Tel. (07) 20 24 10, Fax (07) 20 74 14

Luxembourg

□ Endress+Hauser S.A./N.V.
Brussels
Tel. (02) 2 48 06 00, Fax (02) 2 48 05 53

Netherlands

□ Endress+Hauser B.V.
Naarden
Tel. (035) 6 95 86 11, Fax (035) 6 95 88 25

Norway

□ Endress+Hauser A/S
Tranby
Tel. (032) 85 10 85, Fax (032) 85 11 12

Poland

Endress+Hauser Polska Sp. z o.o.
Warsaw
Tel. (022) 6 51 01 74, Fax (022) 6 51 01 78

Portugal

Tecnisis - Tecnica de Sistemas Industriais
Linda-a-Velha
Tel. (01) 4 17 26 37, Fax (01) 4 18 52 78

Romania

Romconseng SRL
Bucharest
Tel. (01) 4 10 16 34, Fax (01) 4 10 16 34

Russia

Avtomatika-Sever Ltd.
St. Petersburg
Tel. (08 12) 5 55 07 00, Fax (08 12) 5 56 13 21

Slovak Republic

Transcom technik s.r.o.
Bratislava
Tel. (7) 5 21 31 61, Fax (7) 5 21 31 81

Slovenia

Endress+Hauser D.O.O.
Ljubljana
Tel. (061) 1 59 22 17, Fax (061) 1 59 22 98

Spain

□ Endress+Hauser S.A.
Barcelona
Tel. (93) 4 73 46 44, Fax (93) 4 73 38 39

Sweden

□ Endress+Hauser AB
Solentuna
Tel. (08) 6 26 16 00, Fax (08) 6 26 94 77

Switzerland

□ Endress+Hauser AG
Reinach/BL 1
Tel. (061) 7 15 62 22, Fax (061) 7 11 16 50

Turkey

Intek Endüstriyel Ölçü ve Kontrol Sistemleri
Istanbul
Tel. (02 12) 2 75 13 55, Fax (02 12) 2 66 27 75

Ukraine

Industria Ukraina
Kyiv
Tel. (44) 2 68 52 13, Fax (44) 2 68 52 13

Africa

Egypt

IAB Office
Et Cairo
Tel. (02) 3 61 61 17, Fax (02) 3 60 96 76

Morocco

Oussama S.A.
Casablanca
Tel. (02) 24 13 38, Fax (02) 40 56 02

Nigeria

J F Technical Invest. Nig. Ltd.
Lagos
Tel. (1) 62 23 45 46, Fax (1) 62 23 45 48

South Africa

□ Endress+Hauser Pty. Ltd.
Sandton
Tel. (011) 4 44 13 86, Fax (011) 4 44 19 77

Tunisia

Contrôle, Maintenance et Régulation
Tunis
Tel. (01) 79 30 77, Fax (01) 78 85 95

America

Argentina

Servotron SACIFI
Buenos Aires
Tel. (01) 3 31 01 68, Fax (01) 3 34 01 04

Bolivia

Tritec S.R.L.
Cochabamba
Tel. (042) 5 09 81, Fax (042) 5 09 81

Brazil

Servotek
Sao Paulo
Tel. (011) 5 36 34 55, Fax (011) 5 36 34 57

Canada

□ Endress+Hauser Ltd.
Burlington, Ontario
Tel. (905) 6 81 92 92, Fax (905) 6 81 94 44

Chile

DIN Instrumentos Ltda.
Santiago
Tel. (02) 2 05 01 00, Fax (02) 2 25 81 39

Colombia

Colsein Ltd.
Santafe de Bogota D.C.
Tel. (01) 2 36 76 59, Fax (01) 6 10 78 68

Costa Rica

EURO-TEC S.A.
San Jose
Tel. 2 96 15 42, Fax 2 96 15 42

Ecuador

Insetec Cia. Ltda.
Quito
Tel. (02) 46 18 33, Fax (02) 46 18 33

El Salvador

ACISA
San Salvador, C.A.
Tel. (02) 84 07 48

Guatemala

ACISA Automatizaci6n Y Control
Ciudad de Guatemala, C.A.
Tel. (02) 32 74 32, Fax (02) 32 74 31

Mexico

Maquinaria y Accesorios S.A. de C.V.
Mexico D.F.
Tel. (5) 5 63 81 88, Fax (5) 3 93 29 37

Paraguay

Incoel S.R.L.
Asuncion
Tel. (021) 20 34 65, Fax (021) 2 65 83

Peru

Esim S.A.
Lima
Tel. (01) 4 71 46 61, Fax (01) 4 71 09 93

Uruguay

Circular S.A.
Montevideo
Tel. (02) 92 57 85, Fax (02) 92 91 51

USA

□ Endress+Hauser Inc.
Greenwood, Indiana
Tel. (317) 5 35-71 38, Fax (317) 5 35-14 89

Venezuela

H. Z. Instrumentos C.A.
Caracas
Tel. (02) 9 79 88 13, Fax (02) 9 79 96 08

Asia

China

Endress+Hauser Beijing
Beijing
Tel. (010) 4 07 21 20, Fax (010) 4 03 45 36

Hong Kong

□ Endress+Hauser (H.K.) Ltd.
Hong Kong
Tel. 25 28 31 20, Fax 28 65 41 71

India

□ Endress+Hauser India Branch Office
Bombay
Tel. (022) 6 04 55 78, Fax (022) 6 04 02 11

Indonesia

PT Grama Bazita
Jakarta
Tel. (21) 7 97 50 83, Fax (21) 7 97 50 89

Japan

□ Sakura Endress Co., Ltd.
Tokyo
Tel. (04 22) 54 06 11, Fax (04 22) 55 02 75

Malaysia

□ Endress+Hauser (M) Sdn. Bhd.
Petaling Jaya, Selangor Darul Ehsan
Tel. (03) 7 33 48 48, Fax (03) 7 33 88 00

Philippines

Brenton Industries Inc.
Makati Metro Manila
Tel. (2) 8 43 06 61, Fax (2) 8 17 57 39

Singapore

□ Endress+Hauser (S.E.A.) Pte., Ltd.
Singapore
Tel. 4 68 82 22, Fax 4 66 68 48

South Korea

Hitrol Co. Ltd.
Kyung Gi-Do
Tel. (032) 6 72 31 31, Fax (32) 6 72 00 90

Taiwan

Kingjarl Corporation
Taipei R.O.C.
Tel. (02) 7 18 39 38, Fax (02) 7 13 41 90

Thailand

□ Endress+Hauser Ltd.
Bangkok
Tel. (2) 2 72 36 74, Fax (2) 2 72 36 73

Vietnam

Tan Viet Bao Co. Ltd.
Ho Chi Minh City
Tel. (08) 8 33 52 25, Fax (08) 8 33 52 27

Iran

Telephone Technical Services Co. Ltd.
Tehran
Tel. (021) 8 82 74 26, Fax (021) 8 82 73 36

Israel

Instrumentics Industrial Control Ltd.
Tel-Aviv
Tel. (03) 6 48 02 05, Fax (03) 6 47 19 92

Jordan

A.P. Parpas Engineering S.A.
Amman
Tel. (06) 8 92 83, Fax (06) 8 92 05

Kingdom of Saudi Arabia

Intrah
Dammam
Tel. (03) 8 34 78 79, Fax (03) 8 34 48 32

Kuwait

Kuwait Maritime & Mercantile Co. K.S.C.
Safat
Tel. 2 43 47 52, Fax 2 44 14 86

Lebanon

Network Engineering Co.
Jbeil
Tel. (3) 25 40 52, Fax (9) 94 40 80

Sultanate of Oman

Mustafa&Jawad Science&Industry Co. L.L.C.
Ruwi
Tel. 60 20 09, Fax 60 70 66

United Arab Emirates

Descon Trading EST.
Dubai
Tel. (04) 35 95 22, Fax (04) 35 96 17

Yemen

Yemen Company for Ghee and Soap Industry
Taiz
Tel. (04) 23 06 65, Fax (04) 21 23 38

Australia + New Zealand

Australia

GEC Alsthom LTD.
Sydney
Tel. (02) 6 45 07 77, Fax (02) 7 43 70 35

New Zealand

EMC Industrial Instrumentation
Auckland
Tel. (09) 4 44 92 29, Fax (09) 4 44 11 45

All other countries

□ Endress+Hauser GmbH+Co.
Instruments International
Weil am Rhein
Tel. (076 21) 9 75-02, Fax (076 21) 9 75 53 45

□ Members of the Endress+Hauser group



50083808

