

Field Communication *commulog VU 260 Z*

**Handheld Terminal remote configuration of
CommuteC and Smart transmitters.
Designed for use in explosion hazardous areas.**



The Commulog VU 260 Z is available with english, german, french or italian texts.

Features and Benefits

- Simple keyboard with colour-coded pushbuttons means quick configuration and immediate access to measured values - on-site or remotely from the control room.
- Easy-to-use thanks to Endress+Hauser matrix
- Large liquid crystal display, with 4 lines of 20 characters, gives plain text information on measurement.
- Diagnosis on fault condition allows source to be quickly located and rectified.
- Bar graph displays measurement as 4...20 mA analogue value.
- Light splash-proof housing and battery operation make field use no problem!
- Certified for use in explosion hazardous areas Zone 1.

Application

The Commulog VU 260 Z handheld terminal is designed for remote configuration of:

- Endress+Hauser smart transmitters
- CommuteC transmitters

Endress + Hauser

Nothing beats know-how



Commutec Transmitters



Commulog VU 260 Z communicates directly with Commutec transmitters without interrupting measurement

Configuration

Commutec transmitters are configured or interrogated on-line by simply plugging the Commulog VU 260 Z into the two sockets provided. Immediately to hand in plain text are:

- measured values,
- transmitter configuration,
- diagnostics on fault condition.

If a ZA 67x computer interface is in use the transmitter must first be switched to Commulog mode. After reconfiguration, dialogue is resumed with the new parameters.

Commutec Transmitters

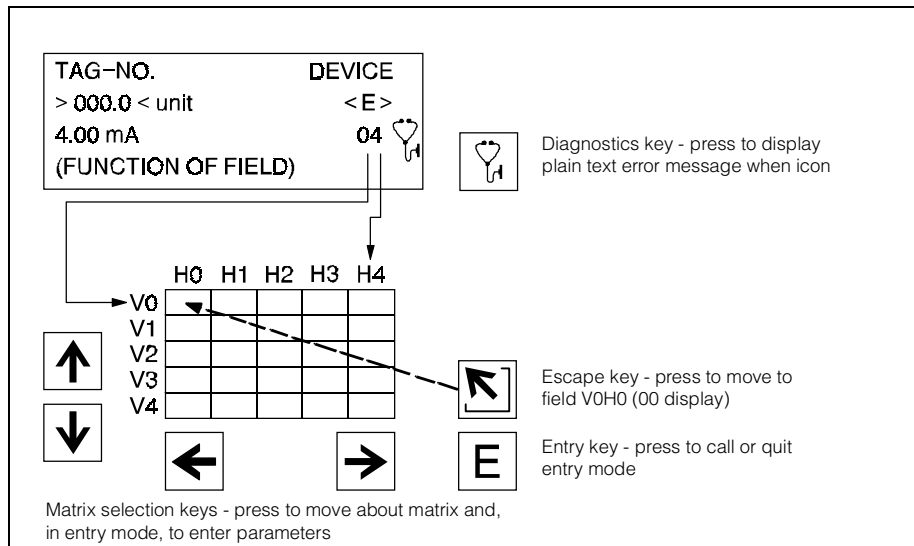
The Commulog VU 260 Z is compatible with existing Commutec transmitters

- Level measurement:
 - Silometer FMB 671 Z...677 Z,
 - Silometer FMC 671 Z...677 Z,
 - Nivosonic FMU 671 Z...678 Z.
- Pressure measurement
 - Commutec PMX 671 Z...677 Z.
- Temperature measurement
 - Omnigrad TMT 2371...2377.
- Others in preparation.

Process parameters are stored in matrix fields characterised by

- a vertical (V) and
- horizontal (H) position

They are entered and displayed by means of the matrix selection and function keys.



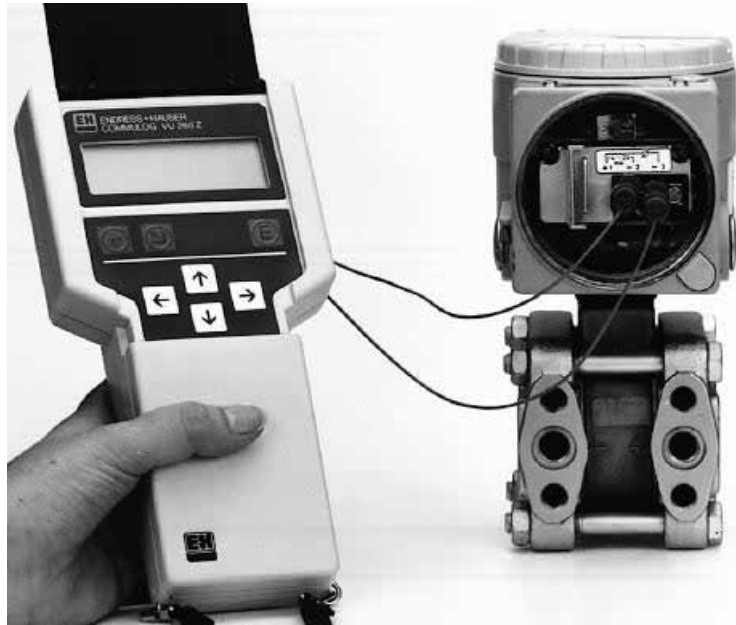
Endress+Hauser - Matrix

Process data are viewed by selecting the appropriate field in a parameter matrix. The same matrix is used no matter whether parameters are keyed in, read in by the Commulog or read in via the ZA 670/ZA 672 computer interface.

- The principle measured value is always located in field 00.

- Each row in the matrix is allocated to a specific function, e.g. calibration, 4...20 mA signal, limit values etc..
- The same matrix structure is used for all transmitters, so that the user, having configured one, can quickly program others of a different type.

Smart Transmitters



Smart transmitters, e.g. Deltabar can be configured and interrogated in the field

Configuration

For smart transmitters the Commulog is simply connected into the 4...20 mA analogue circuit.

- A minimum load of 150 Ω must always be present on the line.
- The maximum load is 650 Ω.

For the Deltabar differential pressure transmitter:

- There is no need to pressurize during configuration.
- 4...20 mA signals can be simulated for the adjustment of instrumentation.
- The differential pressure can be read from matrix field V0H0 (Display 00).

Field Use

The Commulog VU 260 Z can also be connected directly to the smart transmitter:

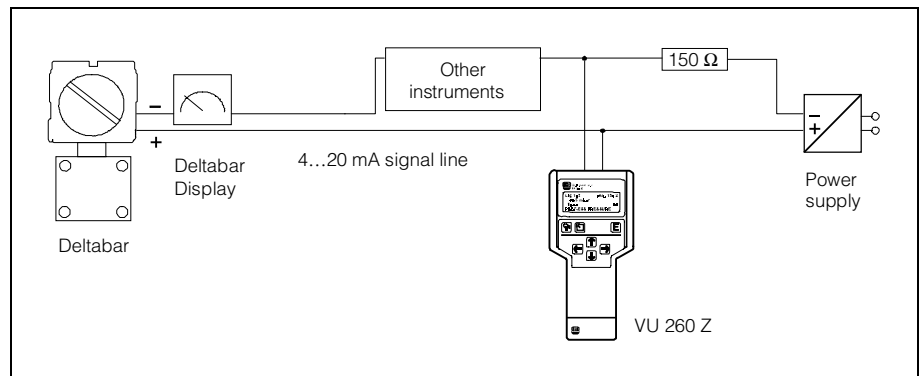
- A rugged, splash-proof housing means it can be used outdoors.
- It is suitable for use in explosion hazardous areas Zone 1.

Smart Transmitters

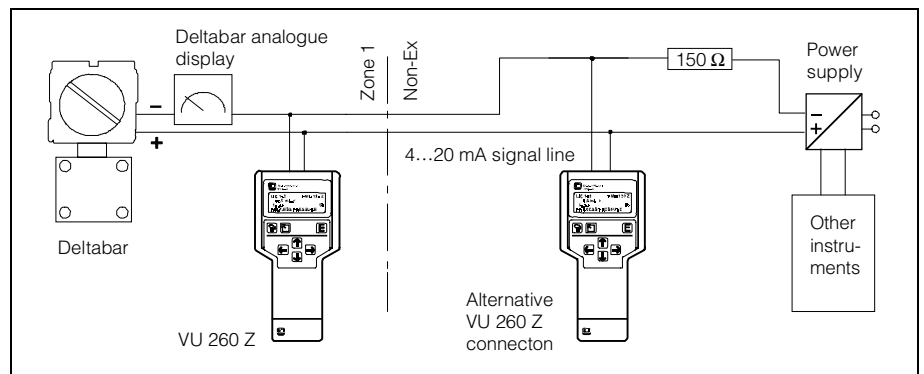
The following are smart transmitters:

- Deltabar PMD 130, FMD 130, 530, 533
- Prosonic FMU 86...
- Microplot FMR 130.

Connection diagram for standard applications. The Commulog VU 260 Z can be plugged into any part of the circuit



Connection diagram for explosion hazardous area



Technical Data

Housing

- Overall dimensions:
115 mm x 225 mm x 44 mm,
grip 72 mm wide.
- Material: Plastic (Noryl®).
- Protection to DIN 40 050:
IP 54 (splash-proof).
- Humidity to DIN 40 040: Class J W E
(-15 °C, +50 °C, ≤ 75% rel. humidity).
- Weight: approx. 0.6 kg with batteries.
- Operating temperature: 0...+50 °C.
- Storage temperature: -20...+70 °C.

Electrical Connection

- Plug connection sockets:
2 x 2 mm dia, 2 x 4 mm dia
For Smart Transmitters:
- For Ex-applications connect to
electrically isolated 4...20 mA circuit
only, see illustrations.
- Impedence for communication R_{load} :
min. 150 Ω , max. 650 Ω , whereby
 $R_{load} = R_{Line} + R_{instruments}$,
 C_{load} max. 100 nF.
- Residual ripple of power supply:
≤ 0.2V_{pp}

Power supply

- Batteries: 5x 1.5 V dry cells.
- Battery save: switch-off selectable
1..10 minutes after last use.
- Battery life: up to 30 hours continuous
use with alkaline batteries.

Communications

- Display: alphanumeric 4 line LCD,
20 characters per line, character
height 4.75 mm.
- Language: English, German, Italian,
French to order.
- Baud rate: automatically selected at
2.4 kBaud for smart transmitters,
19.2 kBaud for Commutec transmitters.

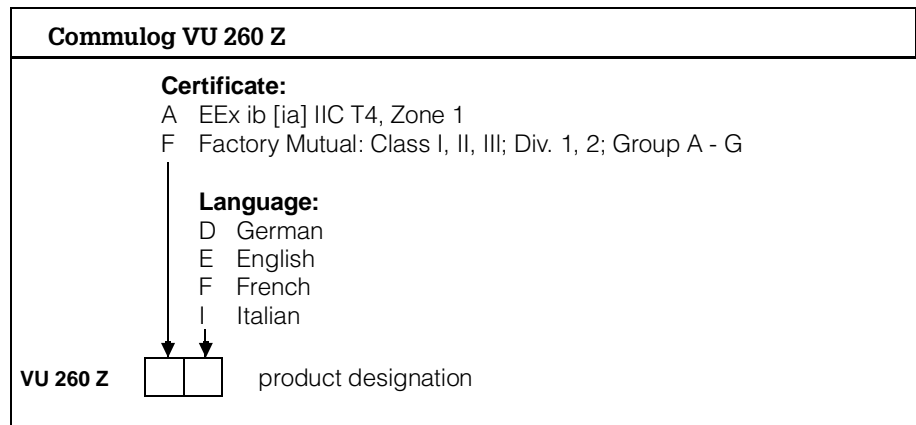
Accessories

- Supplied: 5 dry cells, 1 carrying
strap, 2 connecting cables with
2 mm dia./ 4 mm dia. plugs.

Certificates

- EEx ib [ia] IIC T4, Zone 1
- Factory Mutual: Class I, II, III; Div. 1, 2;
Group A-G.

Product Structure



Supplementary Documentation

- Silometer, Nivosonic, Commutec
System Information SI 012/00/e
- Omnigrad TMT 2371...2377
Technical Information TI 022/02/ei
- Deltabar PMD 130,
Deltabar FMD 130, 530, 533
Technical Information TI 111/00/e,
TI 112/00/e, TI 137/00/e, TI 150/00/e

Endress+Hauser
GmbH+Co.
Instruments International
P.O. Box 2222
D-79574 Weil am Rhein
Germany

Tel. (07621) 975-02
Tx 773926
Fax (07621) 975345

Endress + Hauser
Nothing beats know-how

