

Electrodes for pH Measurement *CPS 64*

**pH single electrodes for all areas of application.
Used in conjunction with the corresponding
reference electrodes to form a complete
measuring chain**



Areas of application

A complete measuring chain comprises a pH measuring electrode and the corresponding reference electrode. Depending on the pH membrane glass and reference electrode, these measuring chains can be installed in various areas of application:

- In process technology with a reference electrode CPS 13 of the Orbisint family
- In food industry with a reference electrode CPS 43 of the Ceraliquid family

Benefits at a glance

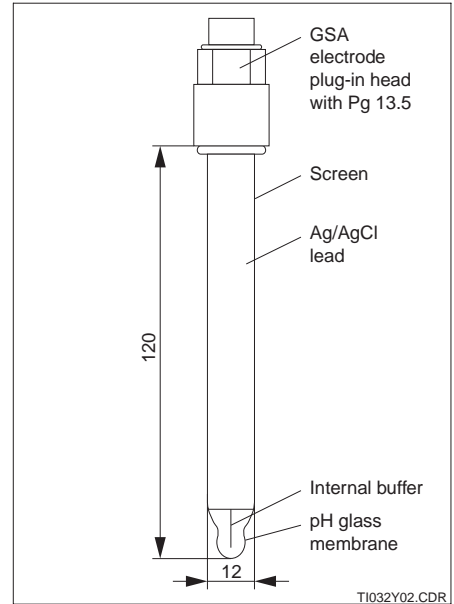
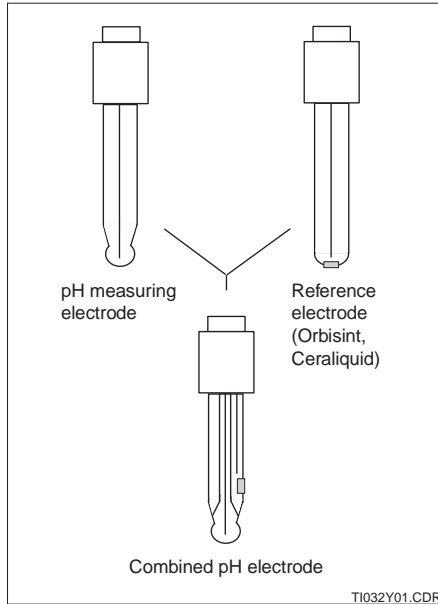
- Can be used in conjunction with Orbisint CPS 13, Ceraliquid CPS 43 and other standard reference electrodes
- For pH values from 0 to 14 and temperatures from -15 to 130 °C, depending on the pH membrane glass
- pH membrane glasses available for the following applications:
 - Waste water
 - Standard process
 - Sterilisable process
 - Hydrofluoric acid process
- Can be installed in standard assemblies via Pg 13.5 threaded plug-in head
- Standard length 120 mm



Electrode construction and dimensions

left:
 pH measurement
 • with pH measuring electrode and reference electrode
 • with combined pH electrode

right:
 pH measuring electrode
 CPS 64



Technical data

General data

Manufacturer	Endress+Hauser GmbH+Co.
Product designation	CPS 64

pH single electrode CPS 64

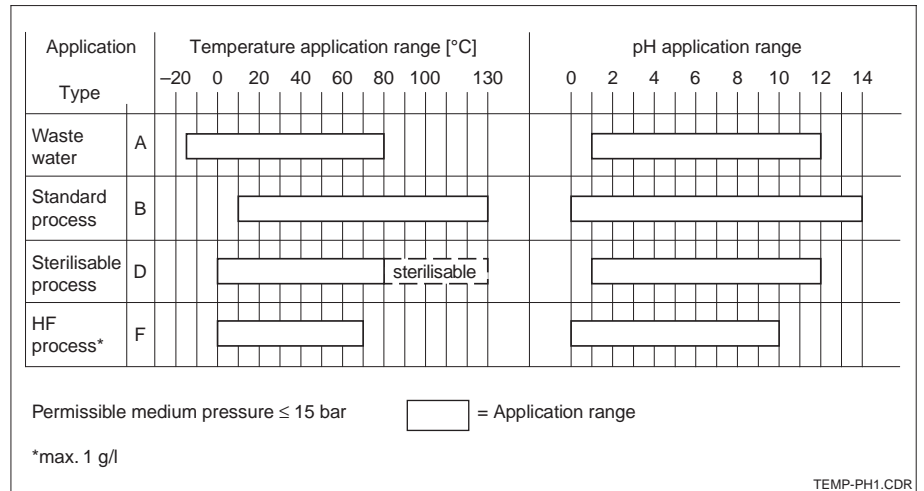
Electrical connection	GSA head with Pg 13.5 for applications
Shaft length	120 mm
Shaft diameter	12 mm
Shaft material	lead-free bullet-proof glass, suitable for processes
Metal lead	Ag/AgCl
Temperature range	-15 ... 130 °C
Pressure range	≤ 15 bar
pH membrane glasses	type A, B, D, F
pH range	0 ... 14
Chain zero-point	$E_0 = 7.0$

pH electrode selection

When selecting the right pH electrode, not only the pH value must be taken into account, but also temperature and pressure of the medium to be measured.

The temperature/pH range table is a guide for selecting a suitable pH membrane glass.

Temperature and pH ranges



How to order

pH single electrodes CPS 64

Electrode type

1 Chain zero-point $E_0 = 7.0$

Application range

AA pH = 1 ... 12, $T = -15 \dots 80 \text{ }^\circ\text{C}$

BA pH = 0 ... 14, $T = 10 \dots 130 \text{ }^\circ\text{C}$

DA pH = 1 ... 12, $T = 0 \dots 80 \text{ }^\circ\text{C}$, sterilisable

FA pH = 0 ... 10, $T = 0 \dots 70 \text{ }^\circ\text{C}$

Shaft length

2 120 mm

Connection head

GSA Threaded plug-in head Pg 13.5

CPS 64-

--	--	--	--	--

complete order code

Endress+Hauser GmbH+Co.
- Instruments International -

P.O. Box 2222
D-79574 Weil am Rhein
Tel. (07621) 975 - 02
Fax (07621) 975345

Endress + Hauser

Nothing beats know-how

