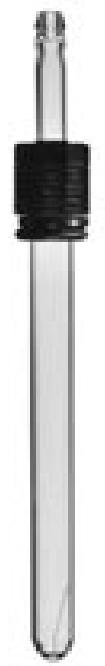


Diaphragm tubes for pH/Redox measurement *CPY 6*

Diaphragm tubes for bridge electrolyte
systems in heavily contaminated media



Areas of application

Bridge electrolyte systems are used in media containing a high percentage of electrode poisons (sulphides, cyanides and reducing substances). The diaphragm tube is one of the most important components of these systems and it is directly integrated in the medium with a single pH electrode.

The sensitive reference electrode is built into a KCl reservoir outside the medium to be measured. The connection to the medium is established by the flow of KCl. Even the toughest pH measuring tasks can be handled with this solution.

Benefits at a glance

- The correct diaphragm for each application
 - Teflon
 - Ceramic
 - Fibre
- The correct shaft material for each application
 - Glass
 - Noryl
 - Polypropylene/Viton
- Also available with KCl lead-in for Ex zone 0

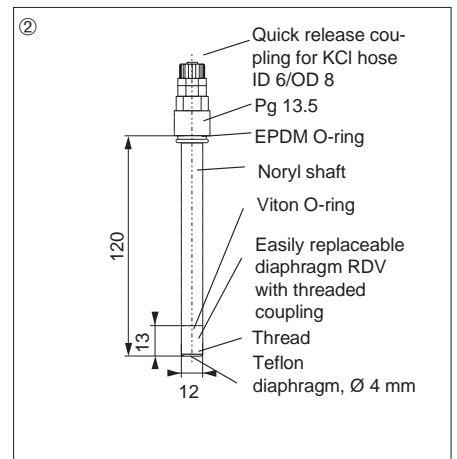
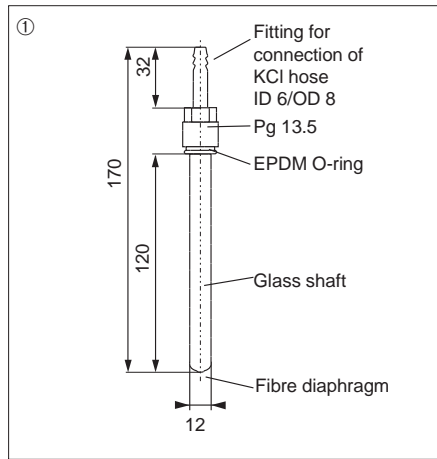
Endress+Hauser

The Power of Know How

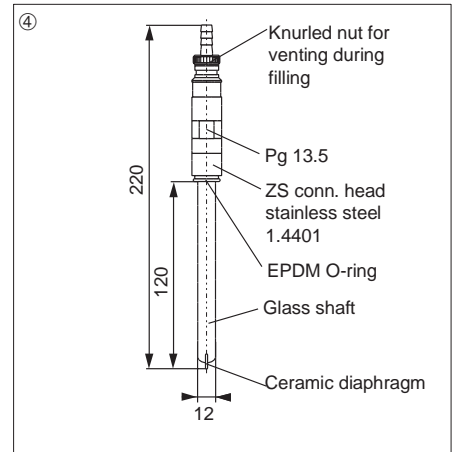
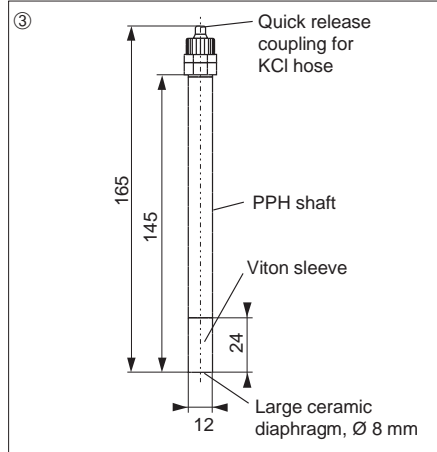


Dimensions

- ① Diaphragm tube
CPY 6-FG2SG
- ② Diaphragm tube
CPY 6-TN2GS



- ③ Diaphragm tube
CPY 6-KP2SA
- ④ Diaphragm tube
CPY 6-KG2ZS



How to order

Diaphragm tube CPY 6

Material (diaphragm, shaft)

FG Fibre, glass; only SG-connector
TN Teflon, Noryl; only GS-connector
KG Ceramic, glass; only ZS-connector
KP Ceramic, PPH/Viton; only SA-connector
YY Special version

Shaft length

2 Shaft length: 120 mm
9 Special version

Type of head

GS Pg 13.5
SG Pg 13.5 with olive hose
SA Pg 13.5 with filling tube
ZS SS 1.4401 for Ex zone 0
YY Special version



Endress+Hauser GmbH+Co.

- Instruments International -

P.O. Box 22 22

D-79574 Weil am Rhein

Tel. (0 76 21) 9 75 - 02

Fax (0 76 21) 97 53 45

Endress+Hauser

The Power of Know How

