

# System Components

## *monorack protective housing*

**Aluminium housing; Protection IP 55,  
with transparent PC hood**



The Monorack protective housing shown in this example with one 4 HP Monorack and one 7 HP Monorack.

### Application

The following instruments can be installed:

- 2 Monoracks in 4 HP or 7 HP versions.  
(Monoracks are housings with a power pack for instruments in Racksyst plug-in card format. With Protection IP 30 or IP 40, they are designed for installation in control panels or protective housings.)
- 2 wide Monosyst housings (76 mm)
- 3 narrow Monosyst housings (58 mm)

### Installing the Instruments

On the base of the aluminium housing are pins with drill holes which exactly match the mounting holes in the chassis of the instruments.

The instruments are fixed using the self-tapping screws provided. These screws have the advantage of producing no swarf and are resistant to vibration so that no retaining washers are required.

Endress + Hauser

Nothing beats know-how



# Technical Data

Dimensions of the Monorack protective housing

## Materials

Housing lower section: aluminium, resistant to atmospheric conditions and seawater (G-AlSi 12 Mg), plain or EP-coated

Housing upper section: PVC (Macrolon®), transparent

Seal: cellular rubber

Cover screws: stainless steel

Cable glands: brass, nickel plated, with fluoroelastomer seal

## Weight

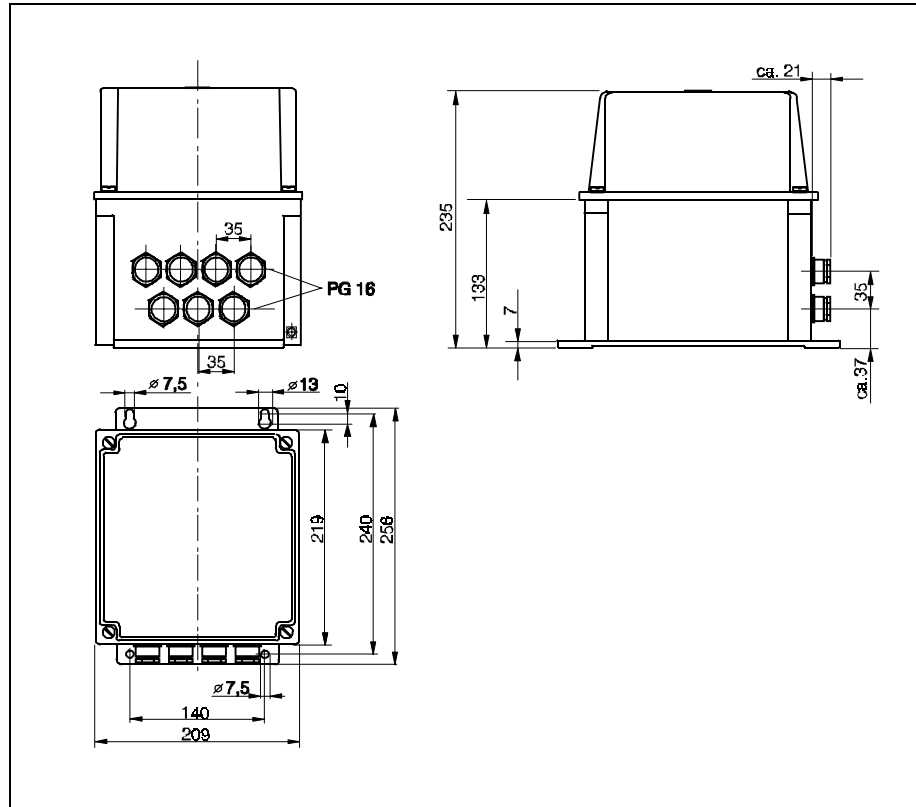
Weight of protective housing when empty: 2.9 kg

Subject to modification

## Details when Ordering

Monorack protective housing with

- aluminium housing, plain, or
- with plastic coating



## Permissible ambient temperatures:

With 1 Monorack:	-20°C...+50°C
With 2 Monoracks:	-20°C...+40°C
With 2 Monoracks for 24 V - (without power pack):	-20°C...+50°C
With 2 Monosysts:	-20°C...+55°C
With 3 Monosysts:	-20°C...+40°C

## Connection

7 cable glands provide the watertight connections for the power supply, input and output signals.

- Note: The ground cable (PE) of the power supply must be connected directly to the ground terminal on the inside of the protective housing.

This then leads to the ground cable connections of any Monorack or Monosyst instruments which are installed.

- The ground terminal on the outside of the protective housing can be used for connecting to e.g. a potential compensating cable.

Endress+Hauser  
GmbH+Co.  
Instruments International  
P.O. Box 2222  
D-79574 Weil am Rhein  
Germany

Tel. (07621) 975-02  
Tx 773926  
Fax (07621) 975345

Endress + Hauser  
Nothing beats know-how

