

# Capacitive Level Measurement Rod probe 11 400

**PE fully insulated rod probe  
for pressures up to 30 bar**



## Application

The 11 400 rod probe is used for capacitive level measurement and limit detection of bulk solids and liquids at temperatures up to +80 °C (175 °F) and pressures up to 30 bar (440 psi). For corrosive products depending on the chemical resistance of the materials selected for the probe.

## Versions

### Process connection

- G 1 1/2 A or NPT 1 1/2" threaded boss
- DIN (DN 50 to DN 100) or ANSI (2" to 4") flange

### Materials

- steel rod, PE fully insulated

### Housing

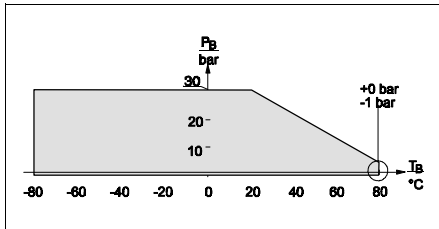
- Aluminium IP 66
- Aluminium IP 66, plastic coated
- Polyester (PBTP) IP 66

# Technical Data

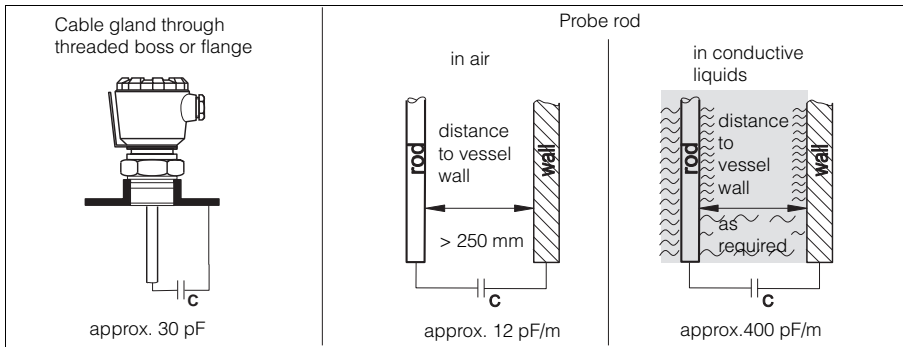
## Operating data

Relationship between permissible operating pressure and temperature

1 bar = 14.5 psi  
 $x \text{ }^\circ\text{C} = (x \cdot \frac{9}{5} + 32) \text{ }^\circ\text{F}$

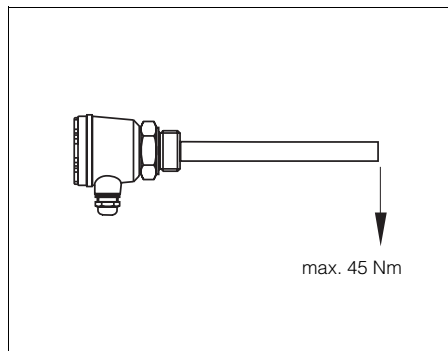


Capacitance of probe



Lateral load on the probe at +20°C and static load

1 Nm = 0.74 ft lbs



## Materials

Most material specifications are given on Page 4.

- Threaded boss: galvanized steel or SS 304
- Flange: primed steel or SS 316 Ti
- Probe rod in steel
- Full insulation: PE
- Housing: aluminium (AlSi12), plastic coated aluminium (especially resistant to corrosion, for use in aggressive atmospheres) or polyester (PBTP)

## Housing versions



Order code A  
Aluminium housing  
IP55 with standard  
cable gland PG 16



Order code B  
Aluminium housing  
IP66 with cable gland  
PG 16

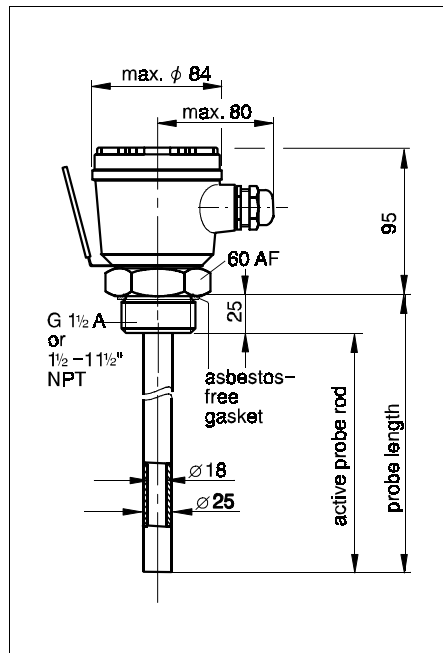


Order code R  
Aluminium housing  
IP66, plastic coated  
with cable gland PG 16



Order code K  
Polyester (PBTP)  
housing IP66 with cable  
gland PG 16

## Dimensions and Accessories



Rod probe 11 400  
with threaded boss

Dimensions in mm  
1 in = 25.4 mm  
100 mm = 3.94 in

### Probe length

$L_{\min.}$  : 100 mm,  $L_{\max.}$  : 4000 mm  
Usual length: 350 mm

### Probe length tolerances

| Probe length | Tolerance     |
|--------------|---------------|
| up to 2 m    | +0 mm, -10 mm |
| up to 4 m    | +0 mm, -20 mm |

### Accessories

- Gasket for thread G 1 $\frac{1}{2}$  A:  
in elastomer/fibre (asbestos free),  
as supplied
- All-weather cover for aluminium  
housing  
Material: polyamide
- Maximum ambient temperature: 100 °C

### All-weather cover

When mounting in the open, the all-weather cover protects the probe in the aluminium housing from high temperatures and from condensation in the housing caused by wide temperature variations.

