

HAZARDOUS LOCATION AREA

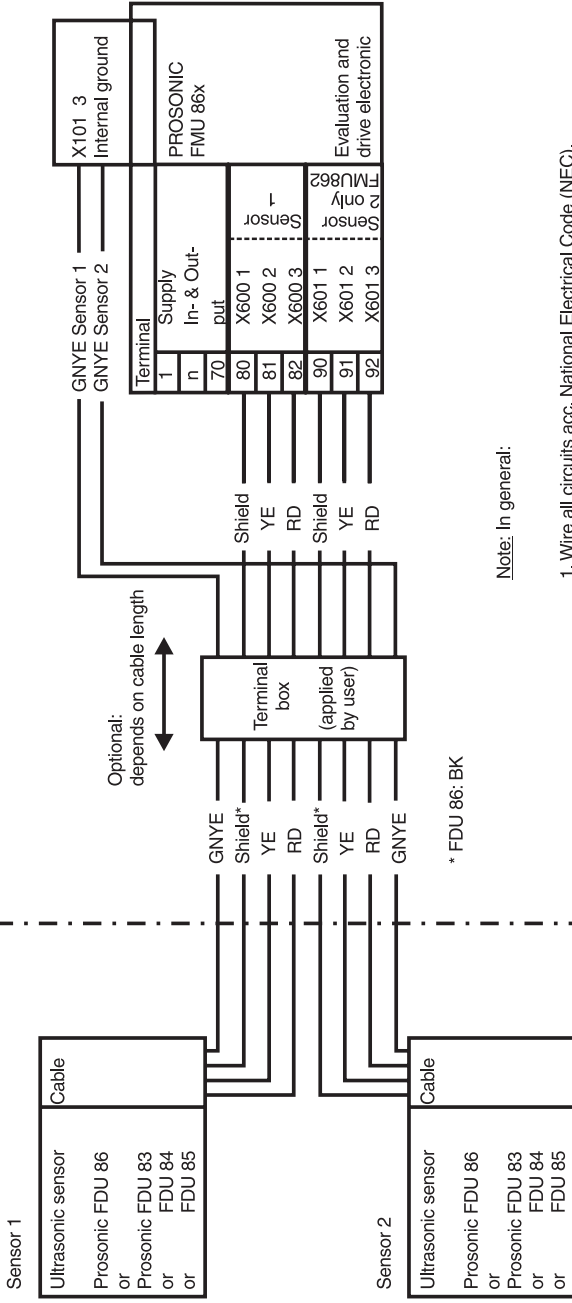
FDU 86:

Class II, III; Div. 1; Groups E, F, G
 Suitable for Class II, III; Div. 2; Groups F, G
 NONINCENDIVE; CLASS I, DIV 2, GROUP A, B, C, D

FDU 83 / 84 / 85:

Class II; Div. 1; Groups E, F, G
 Class III

NON HAZARDOUS LOCATION AREA



Note: In general:

1. Wire all circuits acc. National Electrical Code (NEC).

2. For more information see:
 Installation and operating instruction of FDU 86x.

3. Warning: Substitution of components may impair instrument safety.
 - A dust tight seal must be used for Div. 1 installation at the conduit entry.

Only for FDU 86: Class II, Div. 1+2

Electrical ratings:	FDU 83-P ..	FDU 84-P ..	FDU 85-P ..	FDU 86-P ..	FDU 86-K ..
Supply circuit (Cable) Voltage (Piezo)	55	60	80	65	65
max.(Vrms)	≤ 5,5	≤ 5,5	≤ 5,5	≤ 5,5	≤ 5,5
NTC Voltage	≤ 1	≤ 1	≤ 1	≤ 1	≤ 1
Current	30	21	17	10,9	10,9
Frequency	4...11	2...7	1...3	1...3	1...3
Transmission time	1,2	1,8	2	1	1
Cont. Power (rms) appr. (W)					
Ambient temperature	-20...+80 °C -4...+176 °F	-20...+80 °C -4...+176 °F	-20...+80 °C -4...+176 °F	-40...+140 °C -40...+284 °F	-40...+80 °C -40...+176 °F

Version	max. ambient	max. surface	T-Code
FDU 86- P..	Ta = 140 °C (284 °F)	Tmax. = 153 °C (308 °F)	T3C
FDU 86- K..	Ta = 80 °C (176 °F)	Tmax. = 93 °C (200 °F)	T5

Only for FDU 86: NONINCENDIVE; CLASS I, DIV 2, Group A, B, C, D

Version	max. ambient	T-Code
FDU 86- P..	Ta = 85 °C (284 °F)	T5
FDU 86- K..	Ta = 80 °C (176 °F)	T5

WARNING : EXPLOSION HAZARD - DO NOT DISCONNECT EQUIPMENT UNLESS POWER HAS BEEN SWITCHED OFF OR THE AREA IS KNOWN TO BE NON-HAZARDOUS

ZD 044F/00/en/06.00/CCS
 FM / D 29.04.99



52004737

Installation drawing
 960319-0015 E

Prosonic FDU 8x

Endress + Hauser
 The Power of Know How

