

## Safety Instructions

# Deltabar S

## PMD75, FMD77, FMD78

4..20 mA HART, PROFIBUS PA,  
FOUNDATION Fieldbus (基金会现场总线)

Ex d IIC T6

NEPSI GYJ05164/GYJ05633



**XC006P-A**

**en** - Safety instructions for electrical apparatus for explosion-hazardous areas

**zh** - 爆炸环境中电气设备的安全指南



# Deltabar S

## PMD75, FMD77, FMD78

english

**Associated Documentation**

This document is an integral part of the following Operating Instructions:

- HART: BA270P/00 and BA274P/00
- PROFIBUS PA: BA294P/00 and BA296P/00
- FOUNDATION Fieldbus: BA301P/00 and BA303P/00

The Operating Instructions which are supplied and correspond to the device type apply.

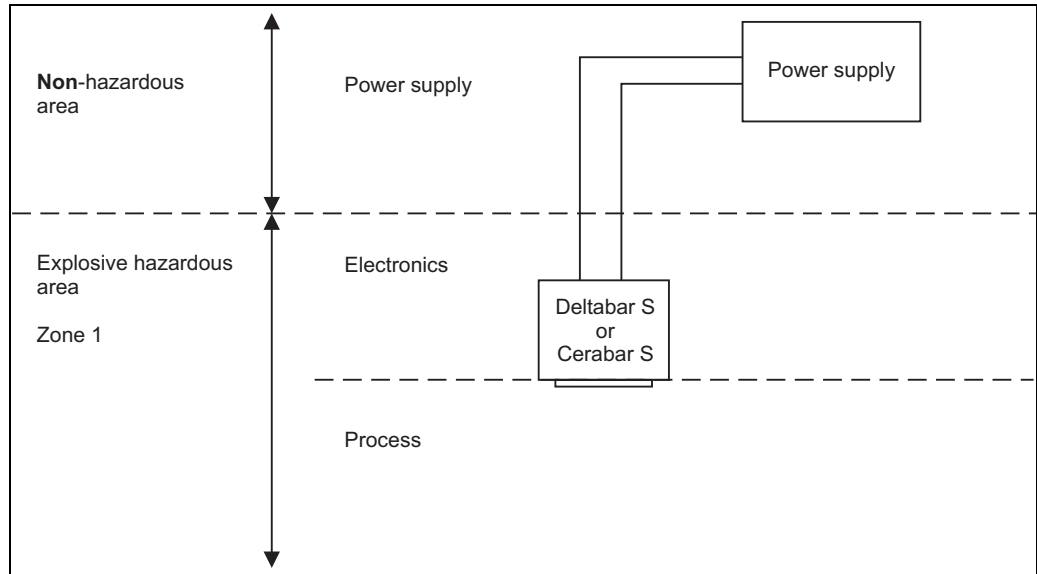
**Designation**

Explanation of the labelling and type of protection can be found in the explosion protection brochure.

---

**Designation of explosion protection****Ex d IIC T6**

**Safety instructions:  
Installation**



XC006en01

Type of protection	Temperature class	Ambient temperature range at housing	Process temperature	Type
Ex d IIC T6...T4	T6	-40°C ≤ Ta ≤ +75°C	≤ 80°C	all
	T4		≤ 120°C	PMP75
<p><b>Supply voltage</b>                      4...20 mA HART: U ≤ 45 V DC, P ≤ 3 W                      PROFIBUS PA and FOUNDATION Fieldbus: U ≤ 32 V DC, P ≤ 3 W</p> <p>The process temperatures refer to the temperature at the separation membrane of PMD75. For FMD77 and FMD78, higher temperatures are permitted depending on the type of diaphragm seal (do not exceed the max. ambient temperature at the housing).</p>				

**Safety instructions:****General**

- Comply with the installation and safety instructions in the Operating Instructions.
- Install the device according to the manufacturer's instructions and any other valid standards and regulations.
- Only install the devices in media for which the wetted materials have sufficient durability.
- Do not open the connection or electronics compartments under voltage in an explosive atmosphere.
- During operation, the cover must be screwed all the way in and the cover's safety catch must be fastened.
- The plastic sealing plug is used only as transport protection.
- After aligning the housing (rotating), tighten the locking screw again.
- Connect the device using suitable cable and wire entries or using piping systems of protection type "Pressure-tight Enclosure d".
- For connection through a conduit entry approved for this purpose the associated sealing facility shall be mounted directly to the housing.
- For ambient temperatures higher than +70 °C, use suitable heat-resisting cables or wires.
- Close unused entry glands with approved (Ex d) sealing plugs.
- For plastic process connections or plastic coatings, avoid electrostatic charging of the plastic surfaces.
- The external earth connection facility should be connected reliably.
- For installation, use and maintenance of the device, users must also observe the requirements stated in the Operating Instructions and the standards GB3836.13-2000, GB3836.15-2000 and GB50257-1996.
- For light metal flanges or flange faces (e.g. titanium, zirconium), avoid impact or friction sparks.



# Deltabar S

## PMD75、FMD77、FMD78

中文

### 相关资料

该文件是下列操作手册的组成部分：

- HART：BA270P/00 和 BA274P/00
- PROFIBUS PA：BA294P/00 和 BA296P/00
- 基金会现场总线（FOUNDATION Fieldbus）：BA301P/00 和 BA303P/00

根据用户订购仪表的具体型号，提供相应的操作手册。

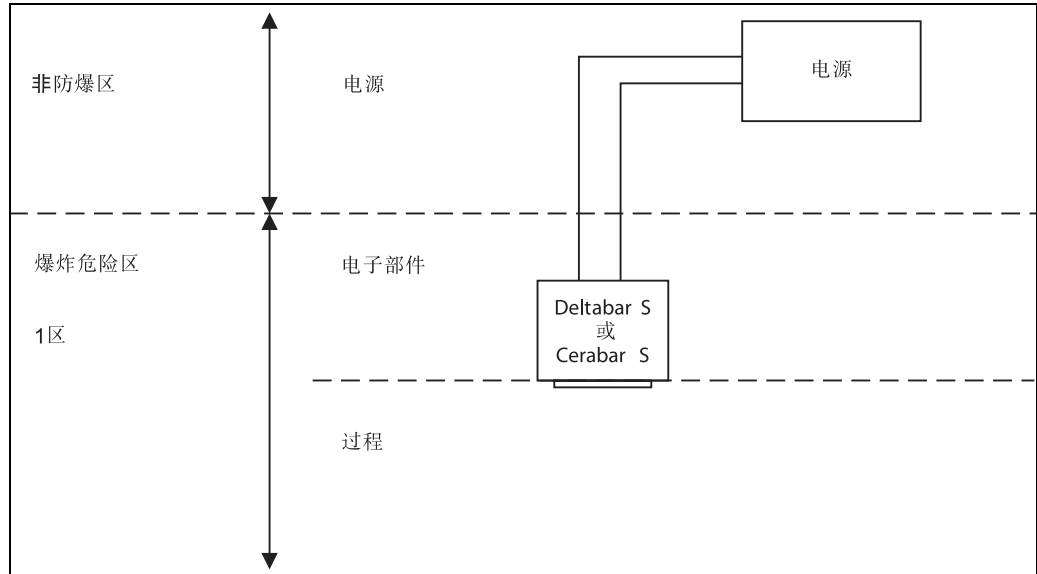
### 名称

防爆标志和防护类型的说明请查询防爆手册。

防爆代号

Ex D IIC T6

安全指南：  
安装



XC006zh01

防护类型	温度等级	外壳处的环境温度范围	过程温度	类型
Ex d IIC T6...T4	T6	-40 °C ≤ Ta ≤ +75 °C	≤ 80 °C	所有型号
	T4		≤ 120 °C	PMP75
<b>供电电压</b> 4...20 mA HART: U ≤ 45 V DC, P ≤ 3 W PROFIBUS PA 和基金会现场总线 ( FOUNDATION Fieldbus ): U ≤ 32 V DC, P ≤ 3 W  过程温度指的是 PMD75 分离陶瓷膜片上的温度。对于 FMD77 和 FMD78, 根据采用的膜片密封的类型, 可在较高过程温度中操作 ( 但是外壳处不可超出最大环境温度值 )。				



**安全指南：  
概述**

- 遵守操作手册中的安装说明和安全指南。
- 按照制造商的说明及其它有效标准和规定来安装设备。
- 当仪表的接触部件具有足够耐久度时，才可将仪表安装于介质中。
- 在爆炸气体环境中使用仪表时，请勿开启接线腔或电子腔。
- 在操作过程中，盖罩必须始终拧紧且盖罩的安全销子必须夹紧。
- 塑料密封塞仅为运输保护部件。
- 对准外壳（旋转）后，再次拧紧锁紧螺钉。
- 使用合适的电缆及电缆入口或者采用防护类型为“压力密闭外壳 d”的管路系统来连接设备。
- 与经认证符合该用途的导管引入装置相连接时，相应密封部件应该直接安装在外壳上。
- 如果环境温度高于 70 °C，使用合适的抗热电缆或导线。
- 采用通过防爆认证（Ex d）的密封塞堵塞不需使用的电缆入口。
- 对于塑料工艺连接件或塑料涂层，应避免塑料表面产生静电荷。
- 外部接地连接部件应可靠连接。
- 设备在安装、使用和维护过程中，用户必须遵守操作手册和 GB3836.13-2000、GB3836.15-2000 及 GB50257-1996 标准中陈述的要求。
- 对于轻金属法兰或法兰面（例如，钛、锆），应避免碰撞或产生摩擦火花。





[www.endress.com/worldwide](http://www.endress.com/worldwide)

---

**Endress+Hauser** 

People for Process Automation

---

