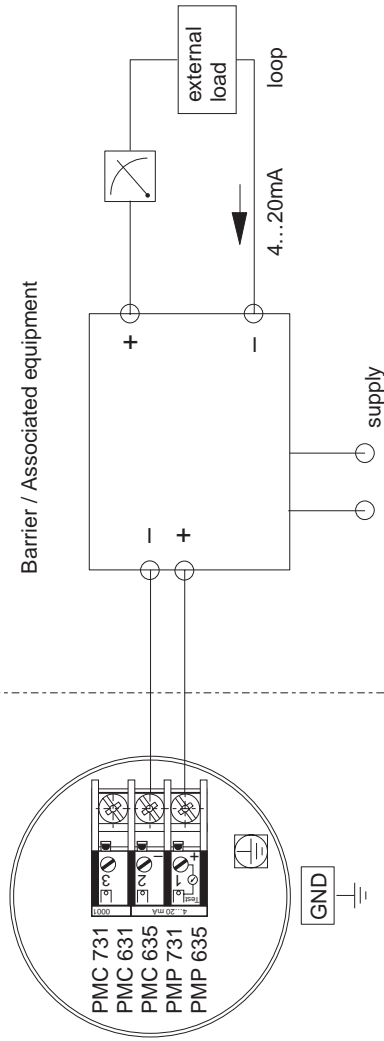


NON HAZARDOUS LOCATION

HAZARDOUS LOCATION

Class I, Div. 1, Groups A, B, C, D
 Class II, Div. 1, Groups E, F, G
 Class III



Notes

Division 1 installation

1. Control room equipment may not use or generate over 250 VRMS.
2. Install per the Canadian electrical code
3. Warning: Substitution of components may impair intrinsic safety.
 Avertissement: La substitution de composants peut compromettre la sécurité intrinsèque
 Warning: Open circuit before removing cover.
 Avertissement: Ouvrir le circuit avant d'enlever le couvercle.
4. Ex ia is defined as intrinsically safe / sécurité intrinsèque.

5. For entity installation

Use CSA certified safety barrier or other associated equipment that satisfy the following conditions: $V_{oc} \leq V_{max}$, $I_{sc} \leq I_{max}$.

$$C_a \geq C_i + C_{cable}, L_a \geq L_i + L_{cable}$$

Transmitter entity parameters are as follows:

Vmax. (V)	I _{max.} (mA)	C _i (nF)	L _i (μH)
30	300	11,2	200

6. For system installation

Use CSA certified safety barriers as follows:

- (a) 28 V / 300 Ω + Ground or
- (b) 28 V / 300 Ω + 28 V / Diode or
- (c) 28 V / 300 Ω + 10 V / 50 Ω

Division 2 installation

1. Install per Canadian electrical code using threaded metal conduit.
2. Warning: Explosion hazard - do not disconnect equipment unless power has been switched off or the area is known to be non-hazardous.
 Avertissement: Risque d'explosion - avant de déconnecter l'équipement, couper le courant ou s'assurer que l'emplacement est désigné non dangereux.
 Warning: Explosion hazard - substitution of components may impair suitability for Class I, Division 2.
 Avertissement: Risque d'explosion - la substitution de composants peut rendre ce matériel inacceptable pour les emplacements de Classe I, Division 2.

ZD 022P/00/en/10.98/EHF

CSA / B 25.04.95



960338-2030

Installation drawing (IS)

960338-2030 B

PMC 631 / 635 / 731
 PMP 635 / 731

Endress + Hauser

