

# Field Communication *commubox FXA 191*

**Intrinsically safe interface for Smart transmitters  
Converts INTENSOR and HART protocols to  
RS-232C signals**



## Application

The Commubox FXA 191 connects intrinsically safe Smart transmitters with INTENSOR or HART protocol to the serial port of a personal computer. This allows the transmitters to be remotely configured using the Endress+Hauser operating program Commuwin II.

A slide switch is used to switch protocols (factory setting INTENSOR). The Commubox is powered over the serial port. If the computer, e.g. a notebook or laptop, is unable to supply enough power, the Commubox can be supplied with an external power pack.

## Features and Benefits

- Simple connection of HART and INTENSOR transmitters to a personal computer
- Intrinsically safe input
- Powered from serial interface
- Suitable for Commuwin II operating program.

## Technical Data

- Power supply:  
Either from RS-232C port or external power pack (accessory)
- Electrical Connection:  
9-pin DIN female connector for computer; 4 mm plug terminals for transmitter, polarity protected, supply (optional): clinch socket, 9 VAC/VDC, polarity protected
- Intrinsic safety: [EEx ia] IIC BVS 95.D.2060 X for connection to intrinsically circuits EEx ia IIC with voltages up to 30 V
- Ambient conditions:  
Operating range: -20°C...+50°C  
Storage: -40°C...85°C  
Humidity: 0%...95% (no condensation)
- Dimensions:  
Housing: 143 x 60 x 30 mm  
plastic housing for industrial use

Endress + Hauser

Nothing beats know-how

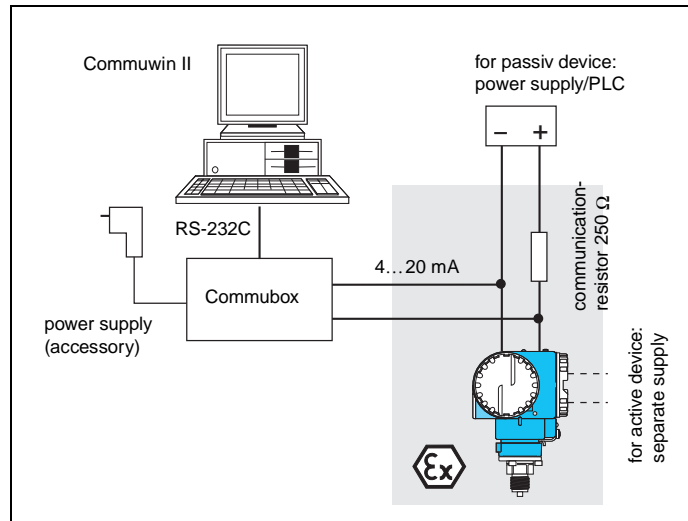


# Electrical Connection



## Set-Up

- Set slide switch to INTENSOR or HART operation.
- For HART/INTENSOR operation, a load of 250 Ω must be present in the circuit.
- The maximum load is determined by the Smart transmitter specification.



Connection to a single transmitter with INTENSOR or HART protocol

# Product Structure

## Commubox FXA 191

### Certificate

- G CENELEC, [EEx ia] IIC
- P FM, AIS/Class I, II, III/Groups A to G
- S CSA, Class I, II, III/Groups A to G [Ex ia]
- V RIIS [Ex ia] IIC (in preparation)

FXA191- 1

product designation

### Accessory

Separate power pack 230V, 50/60 Hz

016768-0000

Endress+Hauser  
GmbH+Co.  
Instruments International  
P.O. Box 2222  
D-79574 Weil am Rhein  
Germany

Tel. (07621) 975-02  
Tx 773926  
Fax (07621) 975345

Endress + Hauser  
Nothing beats know-how

