



Level



Pressure



Flow



Temperature



Liquid
Analysis



Registration



Systems
Components



Services

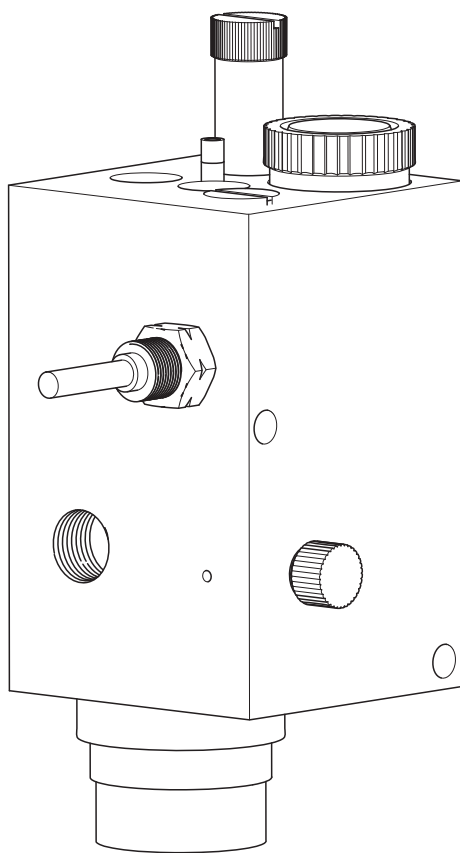


Solutions

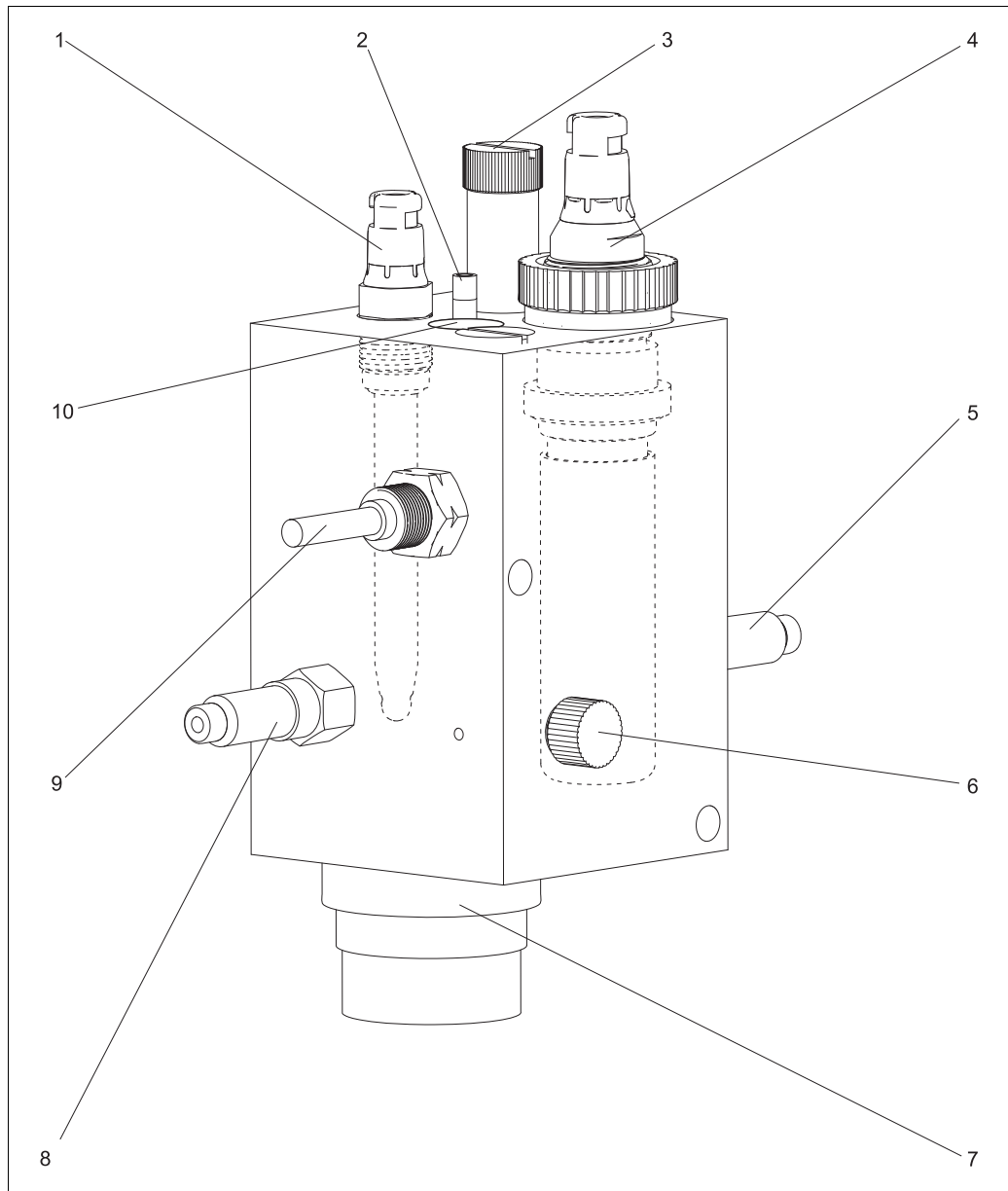
Operating Instructions

Flowfit W CCA250

Flow assembly for chlorine sensors



Brief overview



40007322

Fig. 1: CCA250 with sensors

- 1 pH sensor (accessories, not in scope of delivery)
- 2 PML connection
- 3 Vent screw
- 4 Chlorine sensor (accessories, not in scope of delivery)
- 5 Outlet (adapter depending on version)
- 6 Needle valve for flow <math>< 120 \text{ l/h}</math> (32 gal/h)
- 7 Locking cap with calibration vessel
- 8 Inlet (adapter depending on version)
- 9 Inductive limit switch for flow measurement (optional)
- 10 Installation position for a second pH/ORP sensor

Table of contents

1	Safety instructions	4
1.1	Designated use	4
1.2	Installation, commissioning and operation	4
1.3	Operational safety	4
1.4	Return	4
1.5	Notes on safety icons and symbols	5
2	Identification	6
2.1	Nameplate	6
2.2	Product structure	6
2.3	Scope of delivery	6
3	Installation	7
3.1	Incoming acceptance, transport, storage	7
3.2	Installation conditions	7
3.3	Installation instructions	8
3.4	Post-installation check	10
4	Commissioning	10
5	Maintenance	11
5.1	Cleaning the assembly	11
5.2	Cleaning the sensor	11
5.3	Cleaning agents	11
6	Accessories	13
6.1	Accessories kits	13
6.2	Sensors	13
7	Trouble-shooting	15
7.1	Replacing damaged parts	15
7.2	Return	15
7.3	Disposal	15
8	Technical data	16
8.1	Environment	16
8.2	Process	16
8.3	Mechanical construction	17
	Index	18

1 Safety instructions

1.1 Designated use

The flow assembly has been designed for the installation of the membrane covered chlorine sensors CCS120, CCS140, CCS141, CCS240, CCS241 and CCS142D. Additionally, there are two more installation positions for the installation of sensors with Pg 13.5 and installation length 120 mm (4.72 inch), e.g. pH resp. ORP sensors.

Its mechanical design permits its use in pressurised systems (see "Technical data").

Any other use than the one described here compromises the safety of persons and the entire measuring system and is not permitted.

The manufacturer is not liable for damage caused by improper or non-designated use.

1.2 Installation, commissioning and operation

Please note the following items:

- Installation, commissioning, operation and maintenance of the measuring system must only be carried out by trained technical personnel.
Trained personnel must be authorized for the specified activities by the system operator.
- Electrical connection must only be carried out by a certified electrician.
- Technical personnel must have read and understood these Operating Instructions and must adhere to them.
- Before commissioning the entire measuring point, check all the connections. Ensure that electrical cables and hose connections are not damaged.
- Do not operate damaged products and secure them against unintentional commissioning.
Mark the damaged product as being defective.
- Measuring point faults may only be rectified by authorized and specially trained personnel.
- If faults can not be rectified, the products must be taken out of service and secured against unintentional commissioning.
- Repairs not described in these Operating Instructions may only be carried out at the manufacturer's or by the service organization.

1.3 Operational safety

The assembly has been designed and tested in accordance with the latest industry standards and left the factory in perfect functioning order.

Relevant regulations and standards have been met.

As the user, you are responsible for complying with the following safety conditions:

- Installation instructions
- Local prevailing standards and regulations.

1.4 Return

If the assembly has to be repaired, please return it **cleaned** to the appropriate sales center.
Please use the original packaging, if possible.

Please enclose the completed "Declaration of contamination" (copy the second to last page of these Operating Instructions) with the packaging and the transportation documents.

No repair without completed "Declaration of contamination"!

1.5 Notes on safety icons and symbols



Warning!

This symbol alerts you to hazards that can cause serious damage to the instrument or to persons if ignored.



Caution!

This symbol alerts you to possible faults which could arise from incorrect operation. They could cause damage to the instrument if ignored.



Note!

This symbol indicates important items of information.

2 Identification

2.1 Nameplate

You can read the following information from the nameplate on the assembly:

- Product name
- Order code
- Serial number or week code
- Permissible process pressure and maximum process temperature

You can find possible assembly versions and the resulting order codes in the product structure.

2.2 Product structure

Process connection, adapter	
A	G1/2, none
B	G1/2, 2x NV 1/2"
C	G1/2, 2x D 6/12
D	G1/2, D 6/12 + D 16
M	NPT 1/2", none
Q	NPT 1/4", none
Proximity switch	
0	none
1	with inductive proximity switch
CCA250-	complete order code

2.3 Scope of delivery

The scope of delivery comprises:

- Flowfit assembly (ordered version)
- a PML adapter
- Operating Instructions (English)

If you have any questions, please contact your supplier or your local sales center.

3 Installation

3.1 Incoming acceptance, transport, storage

- Make sure the packaging is undamaged!
Inform the supplier about any damage to the packaging.
Keep the damaged packaging until the matter has been settled.
- Make sure the contents are undamaged!
Inform the supplier about damage to the contents. Keep the damaged products until the matter has been settled.
- Check that the order is complete and agrees with your shipping documents.
- The packaging material used to store or to transport the product must provide shock protection and humidity protection. The original packaging offers the best protection. Also, keep to the approved ambient conditions (see "Technical data").
- If you have any questions, please contact your supplier or your local sales center.

3.2 Installation conditions

3.2.1 Dimensions

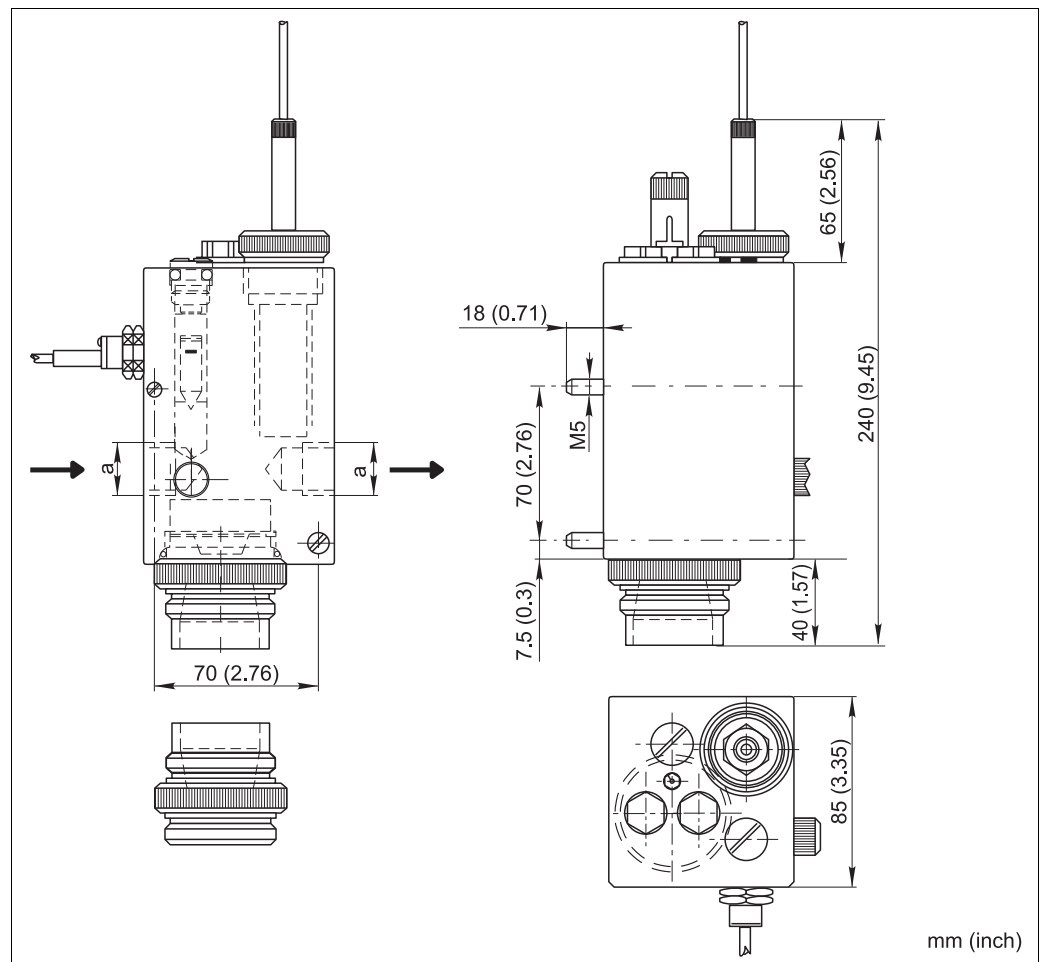


Fig. 2: Dimensions

a depending on version: G1/2, NPT 1/2" or NPT 1/4"

3.2.2 Notes on installation

Parts description	used at ...
two shut-off valves	bypass version
one shut-off valve	version with open outlet
aperture in the main conduit	bypass version
particle filter (500 µm or finer)	if the process water contains large dirt particles
pressure-relief valve	if the process water pressure is above the maximum value (see chapter " technical data")

3.3 Installation instructions

3.3.1 Measuring system

A complete measuring system comprises:

- Flowfit CCA250
- Chlorine sensor, e.g. CCS142D
- Measuring cable, e.g. CYK10
- Transmitter, e.g. Liquiline M

Optional:

- up to two pH sensors, e.g. Orbisint CPS11D
- Junction box for cable extension, e.g. RM junction box

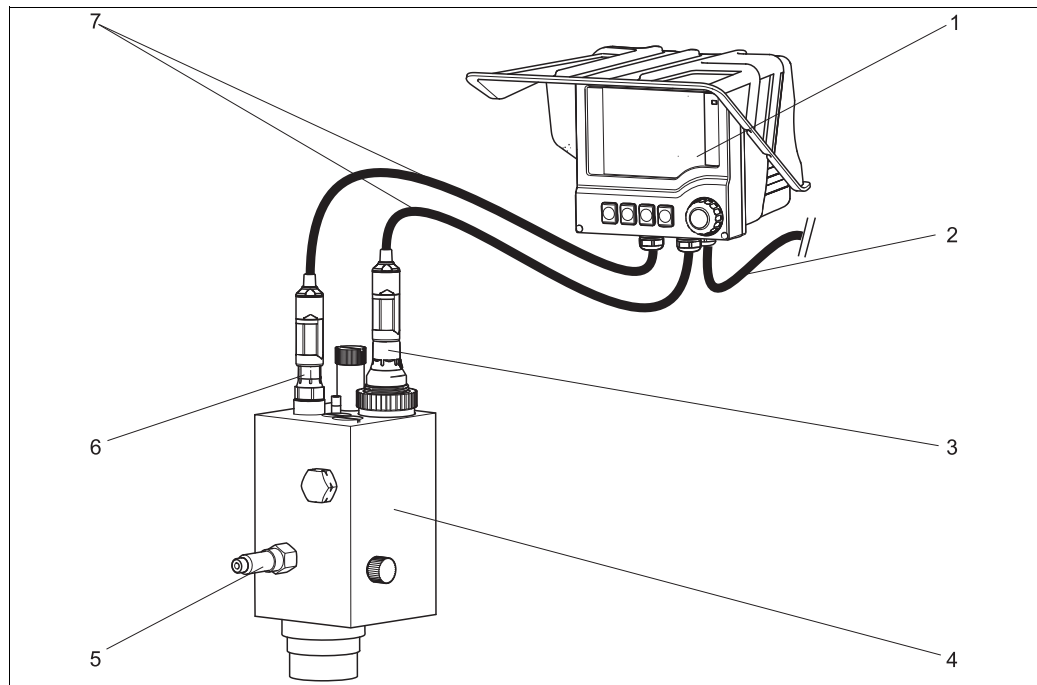



Fig. 3: Measuring system

- 1 Transmitter Liquiline M CM44 with weather protection cover
- 2 Supply line of the transmitter
- 3 Chlorine sensor CCS142D
- 4 Flowfit CCA250
- 5 Assembly inlet (outlet at backside, not to be seen in figure)
- 6 pH-Sensor
- 7 Measuring cable CYK10

3.3.2 Installing the assembly into the process

To get a flow through the bypass, pressure p_1 has to be higher than pressure p_2 . Therefore, you have to install an aperture in the main conduit (→ , pos. 5).

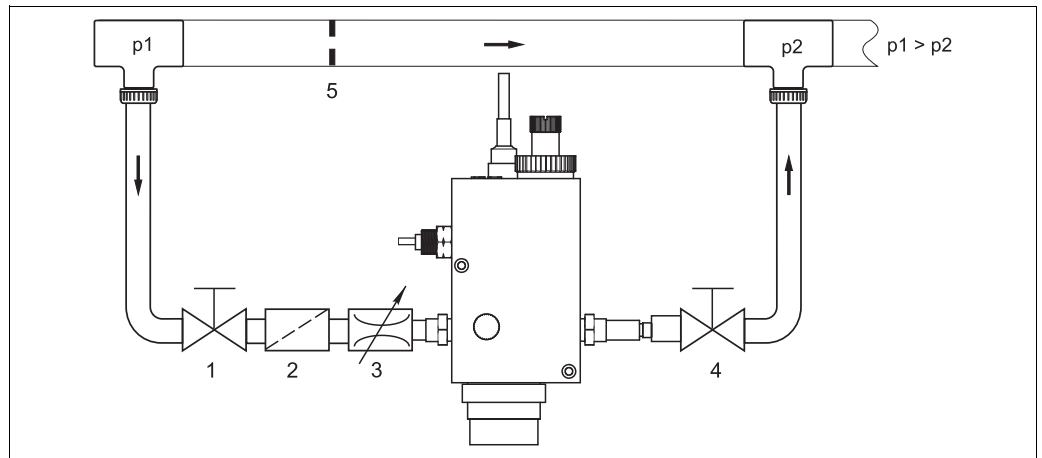


Fig. 4: Installation example with bypass and aperture in the main conduit

- 1 Stop valve (to be provided by customer)
- 2 Dirt trap (filter), $d = 500 \mu\text{m}$ (to be provided by customer). Installation of dirt trap is mandatory!
- 3 Pressure reducer (with $p > 4 \text{ bar}$ (58 psi))
- 4 Stop valve (to be provided by customer)
- 5 Aperture in the main conduit

In case of an open outlet installation, no pressure increasing procedure is needed (→ , pos. 5).

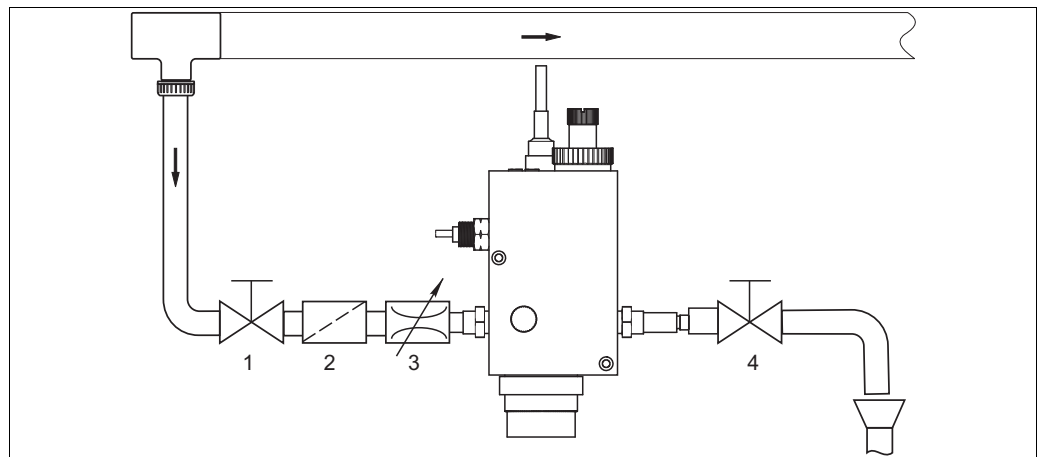



Fig. 5: Installation example with open outlet

Legend →  4



Note!

- The flow assembly must be installed upright.
- Connect the process water with commercial fittings. You can use the normal sealing (e.g. teflon tape) or an O-ring (e.g. EPDM).
- Installation in the by-pass is preferable to installation in the process pipe as the by-pass pipe can be blocked off without process interruption (you have to install shut-off valves upstream and downstream from the flow assembly). This permits maintenance of the sensors without interrupting the process.
- A stop valve and a dirt trap (e.g., a strainer) with a mesh size of $500 \mu\text{m}$ must be located upstream from the flow assembly. Pressure reducers usually contain a dirt trap, i.e. an additional dirt trap is not required when a pressure reducer is installed.

- For the version with an open outlet, you have to install a shut-off valve upstream.
- Install a DN 5-8 sampling cock downstream from the flow assembly to permit reference measurements according to the DPD method.



Caution!

- The medium pressure must not exceed the maximum permissible pressure of the flow assembly or of the sensors.
- If the medium pressure exceeds 4 bar (58 psi), you have to install a pressure-relief valve.

3.3.3 Sensor installation

1. Installation of proximity switch: Screw in all the way and lock with hex nut.
2. Loosen and remove the clamping screw.
3. Insert the chlorine sensor in the mounting position and firmly tighten with the clamping screw.
4. Remove the two dummy plugs, place the pH/ORP sensors in the openings with the Pg13.5 threads and screw in.
5. Connect the sensors via the corresponding measuring cable to the transmitter.



Note!

Vent the assembly by unscrewing and screwing the vent screw at the time of the first commissioning.

3.4 Post-installation check

- After installation, check that all connections are firmly in position and leak-tight.
- Check all hoses for damage.

4 Commissioning

Before the first commissioning, make sure of the following items:

- all seals are correctly seated (on the assembly and process connection)
- the sensor is correctly installed and connected



Warning!

Danger of squirting medium.

Before applying the process pressure to the assembly, make sure the connections are correctly fitted.

5 Maintenance



Warning!

Risk of injury!

Before starting maintenance work on the assembly, make sure that the process line is depressurised, empty and rinsed.

5.1 Cleaning the assembly

To ensure a reliable measurement, the assembly and the sensor must be cleaned at regular intervals. The frequency and intensity of the cleaning operation depend on the process medium.

All parts in contact with the medium, e.g. the sensor and the sensor holder, must be cleaned at regular intervals. Remove the sensor¹⁾.

- Remove light dirt using suitable cleaning agents (see chapter "Cleaning agents").
- Remove severe fouling with a soft brush and a suitable cleaning agent.
- Remove persistent fouling by soaking in a liquid cleaner and if necessary by cleaning with a soft brush.



Note!

A typical cleaning interval for e.g. drinking water is at least half a year.

5.2 Cleaning the sensor

You have to clean the sensor:

- before every calibration
- regularly during operation
- before being returned for repair
- depending on the local conditions, at least twice a year



Note!

- Clean the sensor outside only. Do not open it!
- Do not use any abrasive cleaning agents. This can lead to irreparable damage of the sensor.
- After cleaning the sensor, rinse the rinse chamber of the assembly with copious amounts of water. Otherwise, remaining residues of cleaning agent can corrupt measurement.
- If required, re-calibrate after cleaning.

5.3 Cleaning agents

The selection of the cleaning agent is dependent on the degree and type of contamination. The most common contaminations and the suitable cleaning agents are listed in the following table.

Type of contamination	Cleaning agent
Greases and oils	Substances containing tensides (alkaline) or water-soluble organic solvents (e.g. Ethanol)
Calciferous deposits, metal hydroxide deposits, lyophobic biological deposits	approx. 3% hydrochloric acid
Sulphide deposits	Mixture of 3% hydrochloric acid and thiocarbamide (commercially available)
Protein deposits	Mixture of 3% hydrochloric acid and pepsin (commercially available)
Fibres, suspended substances	Water under pressure, poss. with surface-active agents
Light biological deposits	Water under pressure

1) in reverse sequence of operations to the installation procedure



Caution!

Do not use organic solvents containing halogen or acetone. These solvents could destroy plastic components on the assembly or the sensor and it is also partly suspected that they cause cancer (e. g. Chloroform).

6 Accessories



Note!

In the following sections, you find the accessories available at the time of issue of this documentation.

For information on accessories that are not listed here, please contact your local service.

6.1 Accessories kits

For G1/2 process connection versions only!

NV 1/2

- 2 PVC nipples for connection to PVC pipework
- for pipes with OD 16 mm (0.63 inch)
- order no. 50003228

SV 1/2

- 2 PVC nipples
- different adapters for hose connection
 - with Ø 6/12 mm (0.24/0.47 inch) inlet and Ø 16 mm (0.63 inch) outlet
 - order no. 50003232
- identical adapters
 - for hose connection with Ø 6/12 mm (0.24/0.47 inch) inlet and outlet
 - order no. 50003230

6.2 Sensors

CCS120

- Membrane covered amperometric sensor for total chlorine
- Measuring range 0.1 to 10 mg/l
- Ordering acc. to product structure, see Technical Information (TI388C/07/en)

CCS140

- Membrane covered amperometric sensor for free chlorine
- Measuring range 0.05 to 20 mg/l
- Ordering acc. to product structure, see Technical Information (TI058C/07/en)

CCS141

- Membrane covered amperometric trace sensor for free chlorine
- Measuring range 0.01 to 5 mg/l
- Ordering acc. to product structure, see Technical Information (TI058C/07/en)

CCS142D

- Membrane covered amperometric sensor for free chlorine
- Memosens technology
- Measuring range 0.01 to 20 mg/l
- Ordering acc. to product structure, see Technical Information (TI419C/07/en)

CCS240

- Membrane covered amperometric sensor for chlorine dioxide
- Measuring range 0.05 to 20 mg/l
- Ordering acc. to product structure, see Technical Information (TI114C/07/en)

CCS241

- Membrane covered amperometric trace sensor for chlorine dioxide
- Measuring range 0.01 to 5 mg/l
- Ordering acc. to product structure, see Technical Information (TI114C/07/en)

Orbisint CPS11/11D

- pH electrode for process applications with dirt-repellent PTFE diaphragm
- Optional Memosens technology (CPS11D)
- Ordering acc. to product structure, see Technical Information (TI028C/07/en)

Ceragel CPS71/CPS71D

- pH electrode with double junction reference system and integrated bridge electrolyte
- Optional with Memosens technology (CPS71D)
- Ordering acc. to product structure, see Technical Information (TI245C/07/en)

Ceragel CPS72/CPS72D

- Redox sensor with double junction reference system and integrated bridge electrolyte
- Optional with Memosens technology (CPS72D)
- Ordering acc. to product structure, see Technical Information (TI374C/07/de)

7 Trouble-shooting

7.1 Replacing damaged parts



Warning!

Damage to the assembly which affects the pressure safety must **only** be repaired by authorized technical personnel.

After every repair and maintenance activity, suitable measures must be taken to test whether the assembly shows any signs of leaking. The assembly must then correspond to the specifications stated in the technical data.

Replace all other damaged components immediately. To order accessories and spare parts, please use the "Accessories" and "Spare parts" chapters or contact your local sales center.

7.2 Return

If the assembly has to be repaired, please return it **cleaned** to the appropriate sales center. Please use the original packaging, if possible.

Please enclose the completed "Declaration of contamination" (copy the second to last page of these Operating Instructions) with the packaging and the transportation documents.

No repair without completed "Declaration of contamination"!

7.3 Disposal

Please dispose of the device in accordance with the local regulations.

8 Technical data

8.1 Environment

Ambient temperature range 0 to 50 °C (32 to 120 °F)

Storage temperature 0 to 50 °C (32 to 120 °F)

8.2 Process

Process temperature 0 to 45 °C (32 to 110 °F), non-freezing

Process pressure max. medium pressure: 4 bar (58 psi) at 40 °C (104 °F)

Temperature-pressure-diagram

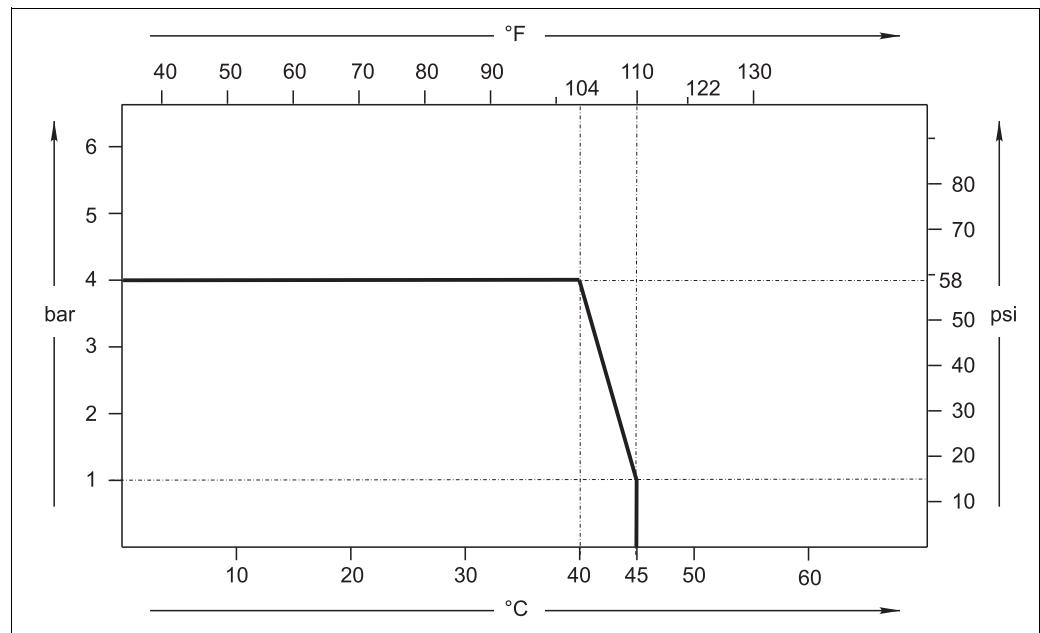


Fig. 6: Temperature-Pressure diagram

Flow optimum 30 l/h (7.9 gal/h)
30 to 120 l/h (7.9 to 31.7 gal/h), adjustable

8.3 Mechanical construction

Design, dimensions	see chapter "Installation"
Weight	0.5 to 0.8 kg (1.1 to 1.8 lbs), depending on process connection
Material	In contact with medium: <ul style="list-style-type: none">■ Assembly body: PMMA■ Mounting parts: PVC, stainless steel 1.4571 (AISI 316 Ti), EPDM
Process connection	G1/2, NPT 1/2" or NPT 1/4"

Index

A

Accessories.....	13
Sensors.....	13
Assembly	
Cleaning.....	11

C

Checking	
Installation.....	10
Cleaning	
Agents.....	11
Assembly.....	11
Sensor.....	11
Cleaning interval.....	11
Commissioning.....	4

D

Designated use.....	4
Dimensions.....	7
Disposal.....	15

E

Environment.....	16
------------------	----

I

Icons.....	5
Incoming acceptance.....	7
Installation.....	4, 7–8
Sensor.....	10

M

Maintenance.....	11
Maintenance interval.....	11
Measuring system.....	8
Mechanical construction.....	17

N

Nameplate.....	6
----------------	---

O

Operation.....	4
Operational safety.....	4
Ordering information.....	6

P

Parts	
Replacing.....	15
Process.....	16
Product structure.....	6

R

Replacing	
Parts.....	15
Return.....	4, 15

S

Safety icons.....	5
-------------------	---

Scope of delivery.....	6
Sensor	
Cleaning.....	11
Installation.....	10
Storage.....	7
Symbols.....	5

T

Transport.....	7
----------------	---

U

Use.....	4
----------	---

Declaration of Hazardous Material and De-Contamination *Erklärung zur Kontamination und Reinigung*

RA No.

Please reference the Return Authorization Number (RA#), obtained from Endress+Hauser, on all paperwork and mark the RA# clearly on the outside of the box. If this procedure is not followed, it may result in the refusal of the package at our facility.
Bitte geben Sie die von E+H mitgeteilte Rücklieferungsnummer (RA#) auf allen Lieferpapieren an und vermerken Sie diese auch außen auf der Verpackung. Nichtbeachtung dieser Anweisung führt zur Ablehnung ihrer Lieferung.

Because of legal regulations and for the safety of our employees and operating equipment, we need the "Declaration of Hazardous Material and De-Contamination", with your signature, before your order can be handled. Please make absolutely sure to attach it to the outside of the packaging.

Aufgrund der gesetzlichen Vorschriften und zum Schutz unserer Mitarbeiter und Betriebseinrichtungen, benötigen wir die unterschriebene "Erklärung zur Kontamination und Reinigung", bevor Ihr Auftrag bearbeitet werden kann. Bringen Sie diese unbedingt außen an der Verpackung an.

Type of instrument / sensor

Geräte-/Sensortyp _____

Serial number

Seriennummer _____

Used as SIL device in a Safety Instrumented System / Einsatz als SIL Gerät in Schutzeinrichtungen

Process data / Prozessdaten

Temperature / Temperatur _____ [°F] _____ [°C]

Pressure / Druck _____ [psi] _____ [Pa]

Conductivity / Leitfähigkeit _____ [µS/cm]

Viscosity / Viskosität _____ [cp] _____ [mm²/s]

Medium and warnings

Warnhinweise zum Medium



	Medium /concentration <i>Medium /Konzentration</i>	Identification CAS No.	flammable <i>entzündlich</i>	toxic <i>giftig</i>	corrosive <i>ätzend</i>	harmful/ irritant <i>gesundheitsschädlich/ reizend</i>	other * <i>sonstiges*</i>	harmless <i>unbedenklich</i>
Process medium <i>Medium im Prozess</i>								
Medium for process cleaning <i>Medium zur Prozessreinigung</i>								
Returned part cleaned with <i>Medium zur Endreinigung</i>								

* explosive; oxidising; dangerous for the environment; biological risk; radioactive

* *explosiv; brandfördernd; umweltgefährlich; biogefährlich; radioaktiv*

Please tick should one of the above be applicable, include safety data sheet and, if necessary, special handling instructions.

Zutreffendes ankreuzen; trifft einer der Warnhinweise zu, Sicherheitsdatenblatt und ggf. spezielle Handhabungsvorschriften beilegen.

Description of failure / Fehlerbeschreibung _____

Company data / Angaben zum Absender

Company / Firma _____	Phone number of contact person / Telefon-Nr. Ansprechpartner: _____
Address / Adresse _____	Fax / E-Mail _____
_____	Your order No. / Ihre Auftragsnr. _____

"We hereby certify that this declaration is filled out truthfully and completely to the best of our knowledge. We further certify that the returned parts have been carefully cleaned. To the best of our knowledge they are free of any residues in dangerous quantities."

"Wir bestätigen, die vorliegende Erklärung nach unserem besten Wissen wahrheitsgetreu und vollständig ausgefüllt zu haben. Wir bestätigen weiter, dass die zurückgesandten Teile sorgfältig gereinigt wurden und nach unserem besten Wissen frei von Rückständen in gefahrbringender Menge sind."

(place, date / Ort, Datum)

Name, dept./Abt. (please print / bitte Druckschrift)

Signature / Unterschrift

www.endress.com/worldwide

Endress+Hauser 
People for Process Automation

