



Level



Pressure



Flow



Temperature



Liquid
Analysis



Registration



Systems
Components



Services



Solutions

FMR245 Process Isolation- Pharma.

Micropilot M FMR245 with Tri-clamp® flange adapter with microwave-transparent process seal



Caustic tank storage



Micropilot M FMR245 with Tri-clamp connection



Pharmaceutical plant

A Tri-clamp® flange adapter with a microwave-transparent process seal is used to separate an FMR245 Micropilot from critical applications. Using this adapter, the radar unit can be removed without exposing the process to the atmosphere.

Company profile

A major pharmaceutical company

Application

The customer came to us with an application in which the Micropilot M needed to be removed from the process tank for validation, but the tank could not be opened to atmosphere. The product is DIBAL-H which is very corrosive, highly flammable, and could cause central nervous system problems.

Problem

To protect the environment from a harmful chemical, the process tank had to remain closed when removing the measuring instrument for validation.

Solution

With the help of the custom products department, we designed an isolation flange (refer to back page).

In this solution, the radar signal shoots through a window made of plastic material (e.g. PTFE) with a low dielectric constant. This window seals the process from the environment even if the radar instrument has to be removed.

Results

The system allows the customer to remove the measuring instrument without fear of exposing the environment to the hazardous chemical.

In addition, this solution can also be used for high value process materials that would be ruined if exposed to the atmosphere.

For more information contact:

Endress+Hauser, Inc.
317-535-7138
www.us.endress.com

Tri-Clamp® is a registered trademark of Tri-Clover®

Endress+Hauser

People for Process Automation

Installation information

The unit consists of the mounting flange (3" or 4" 150 lb) with a 3" Tri-clamp connection welded on top (a) and a process seal for sealing the mounting flange to the customer's process flange (b). Once this isolation flange is mounted to the tank, the FMR245 with 3" Tri-clamp can then be mounted to the corresponding connection on the isolation flange. This will allow the FMR245 to be removed from the critical tank for validation without opening the tank to the atmosphere.

There are two main items supplied with this custom solution. The PTFE process seal and the mating flange to the customer's tank. These two items have been extracted from the diagram (right) and are shown in the diagram at the top labeled (a) and (b). Please note that the actual clamp and o-ring are not provided as a part of this custom solution. Refer to the "Order information" below.

Ordering information

There are two part number variations available for this isolation flange system:

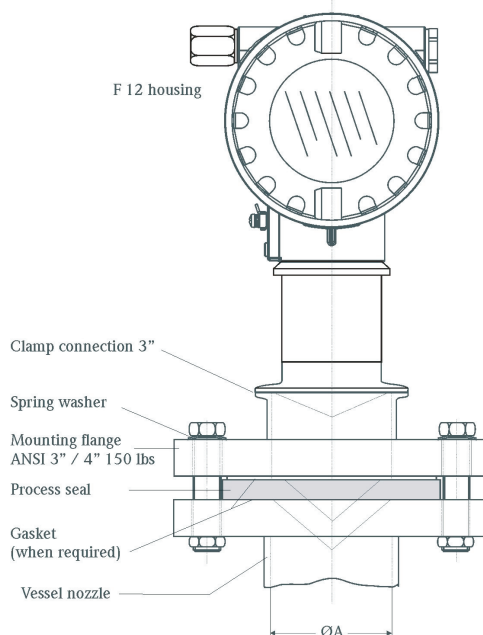
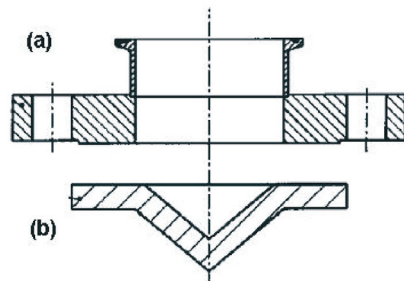
3" 150 lb. flange version: MVT6M0200

4" 150 lb. flange version: MVT6M0201

Clamp kit for both options:

010852-0000 with the following description:

Includes 61002350 (3" 13MHP style bolted clamp) and 61002351 (Buna N gasket).



ISO 9001:2000 Certified

USA

Endress+Hauser, Inc.
2350 Endress Place
Greenwood, IN 46143
Tel. 317-535-7138
Sales 888-ENDRESS
Service 800-642-8737
Fax 317-535-8498
inquiry@us.endress.com
www.us.endress.com

Canada

Endress+Hauser, Canada
1075 Sutton Drive
Burlington, ON, L7L 5Z8
Tel. 905-681-9292
800-668-3199
Fax 905-681-9444
info@ca.endress.com
www.ca.endress.com

Mexico

Endress+Hauser Mexico, S.A. de C.V.
Fernando Montes de Oca 21 Edificio
A Piso 3
Fracc. Industrial San Nicolas
54030 Tlalnepantla de Baz
Estado de Mexico, Mexico
Tel. +52 55 5321 2080
Fax +52 55 5321 2099
eh.mexico@mx.endress.com
www.mx.endress.com