



Level



Pressure



Flow



Temperature



Liquid
Analysis



Registration



Systems
Components



Services

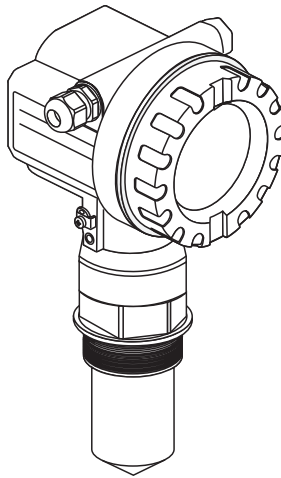


Solutions

Brief Operating Instructions

Micropilot M FMR244

Level-Radar



These are Brief Operating Instructions.

For more detailed information, please refer to the Operating Instructions and the additional documentation on the CD-ROM provided.

These Brief Operating Instructions are not intended to replace the Operating Instructions provided in the scope of supply.

The complete device documentation consists of:

- These Brief Operating Instructions
- A CD-ROM with:
 - The Operating Instructions
 - Approvals and safety certificates
 - Additional device-specific information

KA1011F/00/EN/12.09
71030605

Table of Contents

1	Safety instructions	3
1.1	Designated use	3
1.2	Installation, commissioning and operation	3
1.3	Operational safety and process safety	3
1.4	Return	4
1.5	Safety icons	4
2	Mounting	5
2.1	Quick installation guide	5
2.2	Incoming acceptance, transport, storage	5
2.3	Installation	6
2.4	Post-installation check	13
3	Wiring	14
3.1	Wiring in F12 housing	14
3.2	Wiring in T12 housing	15
3.3	Wiring with FOUNDATION Fieldbus plug	15
3.4	Terminal assignment	16
3.5	Cable specification FOUNDATION Fieldbus	16
3.6	Connecting the measuring unit	16
3.7	Screening/potential matching	18
3.8	Degree of protection	18
3.9	Post-connection check	18
4	Operation	19
4.1	General structure of the operating menu	19
4.2	Display and operating elements	20
5	Commissioning	23
5.1	Function check	23
5.2	Switching on the measuring device	23
5.3	Overview Basic Setup	24
5.4	Basic Setup with the device display	26
5.5	Envelope curve with the instrument display	36

1 Safety instructions

1.1 Designated use

The Micropilot M is a compact radar level transmitter for the continuous, contactless measurement of liquids, pastes, sludge and solids. The device can also be freely mounted outside closed metal vessels because of its operating frequency of about 26 GHz and a maximum radiated pulsed energy of 1 mW (average power output 1 μ W). Operation is completely harmless to humans and animals.

1.2 Installation, commissioning and operation

- The instrument must only be installed, connected, commissioned and maintained by qualified and authorized specialists (e.g. electrical technicians) in full compliance with the instructions in this manual, the applicable norms, legal regulations and certificates (depending on the application).
- The specialist must have read and understood this manual and must follow the instructions it contains. If you are unclear on anything in these Brief Operating Instructions, you must read the Operating Instructions (on the CD-ROM). The Operating Instructions provide detailed information on the instrument/measuring system.
- The instrument may only be modified or repaired if such work is expressly permitted in the Operating Instructions (see CD-ROM).
- If faults cannot be rectified, the instrument must be taken out of service and secured against unintentional commissioning.
- Do not operate damaged instruments. Mark them as defective.

1.3 Operational safety and process safety

- Alternative monitoring measures must be taken to ensure operational safety and process safety during configuration, testing and maintenance work on the instrument.
- The instrument is safely built and tested according to state-of-the-art technology and has left the factory in perfect condition as regards technical safety. The applicable regulations and European standards have been taken into account.
- Pay particular attention to the technical data on the nameplate.
- If the instrument is to be installed in an explosion hazardous area, then the specifications in the certificate as well as all national and local regulations must be observed. The instrument is accompanied by separate "Ex documentation", which is an integral part of this Operating Instructions. The installation regulations, connection values and Safety Instructions listed in this Ex document must be observed. The documentation number of the related Safety Instructions is also indicated.

1.3.1 FCC approval

This instrument complies with part 15 of the FCC Rules. Operation is subject to the following two conditions:

1. This instrument may not cause harmful interference, and
2. this instrument must accept any interference received, including interference that may cause undesired operation.






Caution!

Changes or modifications not expressly approved by the part responsible for compliance could void the user's authority to operate the equipment.

1.4 Return

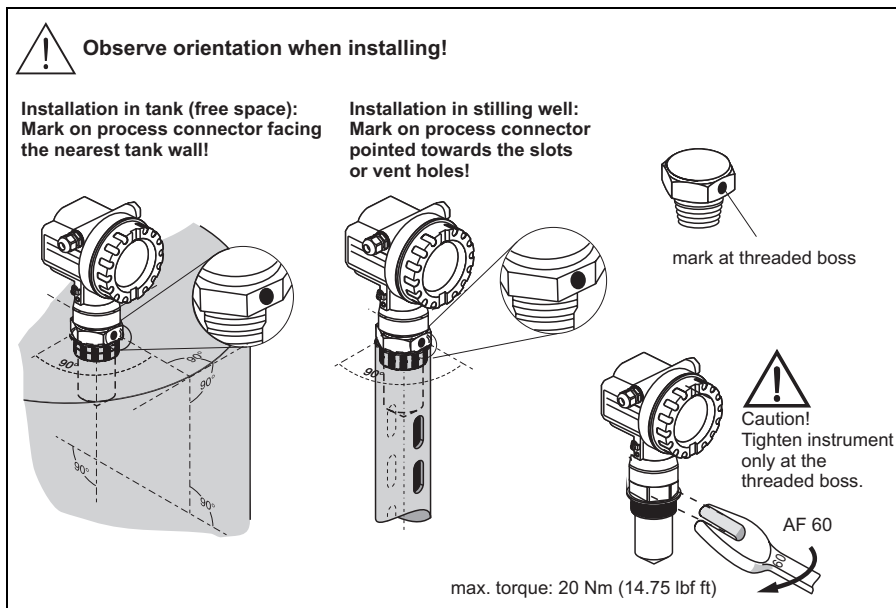
Follow the instructions on returning the instrument as outlined in the Operating Instructions on the CD-ROM provided.

1.5 Safety icons

Safety conventions	
	<p>Warning! A warning highlights actions or procedures which, if not performed correctly, will lead to personal injury, a safety hazard or destruction of the instrument.</p>
	<p>Caution! Caution highlights actions or procedures which, if not performed correctly, may lead to personal injury or incorrect functioning of the instrument.</p>
	<p>Note! A note highlights actions or procedures which, if not performed correctly, may indirectly affect operation or may lead to an instrument response which is not planned.</p>

2 Mounting

2.1 Quick installation guide



L00-FMR244xx-17-00-00-es-006

2.2 Incoming acceptance, transport, storage

2.2.1 Incoming acceptance

Check the packing and contents for any signs of damage. Check the shipment, make sure nothing is missing and that the scope of supply matches your order.

2.2.2 Transport



Caution!

Follow the safety instructions and transport conditions for instrument of more than 18 kg (39.69 lbs). Do not lift the measuring instrument by its housing in order to transport it.

2.2.3 Storage

Pack the measuring instrument so that is protected against impacts for storage and transport. The original packing material provides the optimum protection for this.

The permissible storage temperature is -40 °C to $+80\text{ °C}$ (-40 °F to $+176\text{ °F}$) or -50 °C to $+80\text{ °C}$ (-58 °F to $+176\text{ °F}$).

2.3 Installation

2.3.1 Mounting kit

Beside a key AF 60 for installation you need the following tool:

- 4mm (0.16 in) Allen wrench for turning the housing.

2.3.2 General installation instructions

- Marker is aligned towards tank wall.
- Install the device using the threaded boss (AF 60) only. Observe the max. torque of 20 Nm (14.75 lbf ft)!
- After mounting, the housing can be turned 350° in order to simplify access to the display and the terminal compartment, → 13.

2.3.3 Installation in tank (free space)

Standard installation - 40 mm (1.57 in) antenna

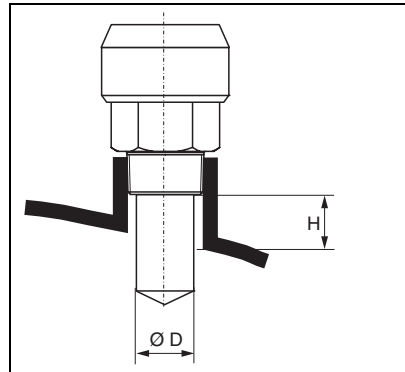
- For optimum measurement, the horn antenna should extend below the nozzle. Nozzle heights up to 500 mm (19.7 in) can be accepted if this should not be possible due to mechanical reasons.



Note!

Please contact Endress+Hauser for application with higher nozzle.

- The antenna must be aligned vertically.

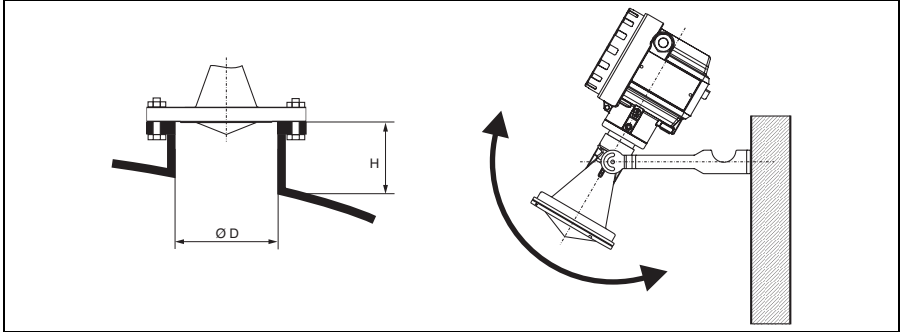


L00-FMR244xx-17-00-00-en-002

Antenna size	40 mm (1½")
D [mm (in)]	39 (1.54)
H [mm (in)]	< 85 (3.35)

Standard installation - 80 mm (3.15 in) antenna

- The marker is located directly below the housing neck on the stainless steel feedthrough.
- As an option for flange mounting, a variable flange seal (see "Accessories") can be used to align the device (solid applications).
- If using a mounting bracket, the device can be aligned at the bracket (solid applications).



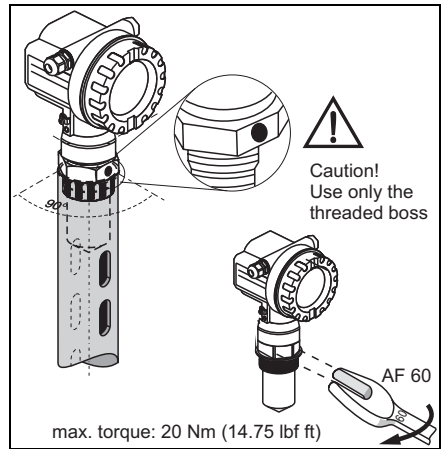
L00-FMR244zx-17-00-00-xx-011

Antenna size	80 mm (3")		
D [mm (in)]	80 (3.15)	100 (3.94)	150 (5.91)
H [mm (in)]	< 500 (19.7)	< 500 (19.7)	< 500 (19.7)

2.3.4 Installation in stilling well

For installations in a stilling well, follow the engineering hints (→ 9) and note the following points:

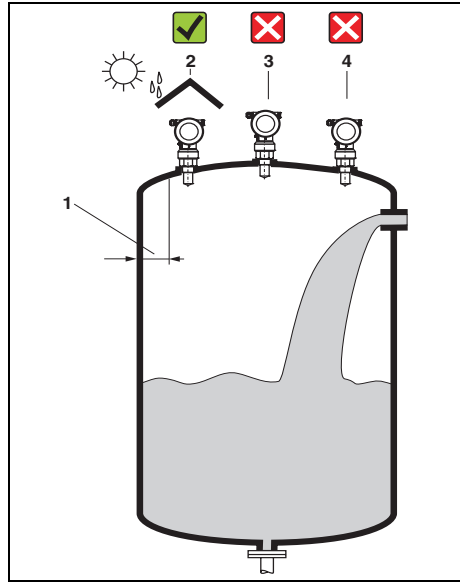
- Marker is aligned toward slots.
- Measurements can be performed through an open ball valve without any problems.



L00-FMR244zx-17-00-00-es-007

2.3.5 Orientation

- Recommended distance (1) wall - outer edge of nozzle: $\sim 1/6$ of tank diameter. Nevertheless the device should not be installed closer than 15 cm (5.91 in) to the tankwall.
- Not in the centre (3), interference can cause signal loss.
- Not above the fill stream (4).
- It is recommended to use a weather protection cover (2) in order to protect the transmitter from direct sun or rain. Assembly and disassembly is simply done by means of a tension clamp (see Operation Instruction on the CD-ROM).



100-FMR2xxxx-17-00-00-xx-008

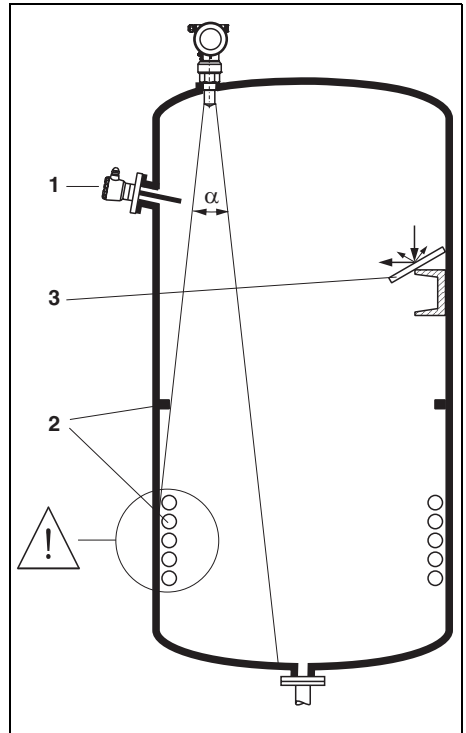
2.3.6 Engineering hints

Tank installations

- Avoid any installations (1), like limit switches, temperature sensors, etc., inside the signal beam (\rightarrow 10).
- Symmetrical installations (2), i.e. vacuum rings, heating coils, baffles, etc., can also interfere with the measurement.

Optimization options

- Antenna size: the bigger the antenna, the smaller the beam angle, the less interference echoes.
- Mapping: the measurement can be optimized by means of electronic suppression of interference echoes.
- Antenna alignment: refer to BA250F/00/EN.
- Stilling well: a stilling well can always be used to avoid interference.
- Metallic screens (3) mounted at a slope spread the radar signals and can, therefore, reduce interference echoes.
- For mounting in solid applications use the variable flange seal to align the device towards the product surface (see TI345F/00/EN, "Accessories").



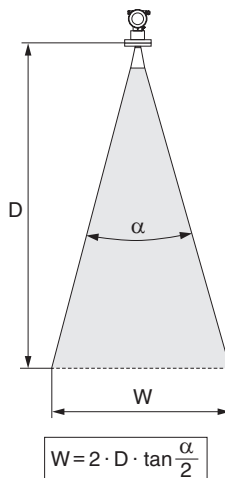
Please contact Endress+Hauser for further information.

2.3.7 Beam angle

The beam angle is defined as the angle α where the energy density of the radar waves reaches half the value of the maximum energy density (3dB-width). Microwaves are also emitted outside the signal beam and can be reflected off interfering installations. Beam diameter **W** as function of antenna type (beam angle α) and measuring distance **D**:

Antenna size (horn diameter)	40 mm (1½")	80 mm (3")
Beam angle α	23°	10°

Measuring distance (D)	Beam diameter (W)	
	40 mm (1½")	80 mm (3")
3 m (9.8 ft)	1,22 m (4 ft)	0,53 m (1.7 ft)
6 m (20 ft)	2,44 m (8 ft)	1,05 m (3.4 ft)
9 m (30 ft)	3,66 m (12 ft)	1,58 m (5.2 ft)
12 m (39 ft)	4,88 m (16 ft)	2,10 m (6.9 ft)
15 m (49 ft)	6,10 m (20 ft)	2,63 m (8.6 ft)
20 m (66 ft)	8,14 m (27 ft)	3,50 m (11 ft)
25 m (82 ft)	10,17 m (33 ft)	4,37 m (14 ft)
30 m (98 ft)	–	5,25 m (17 ft)
35 m (115 ft)	–	6,12 m (20 ft)
40 m (131 ft)	–	7,00 m (23 ft)
45 m (148 ft)	–	7,87 m (26 ft)
60 m (197 ft)	–	10,50 m (34 ft)

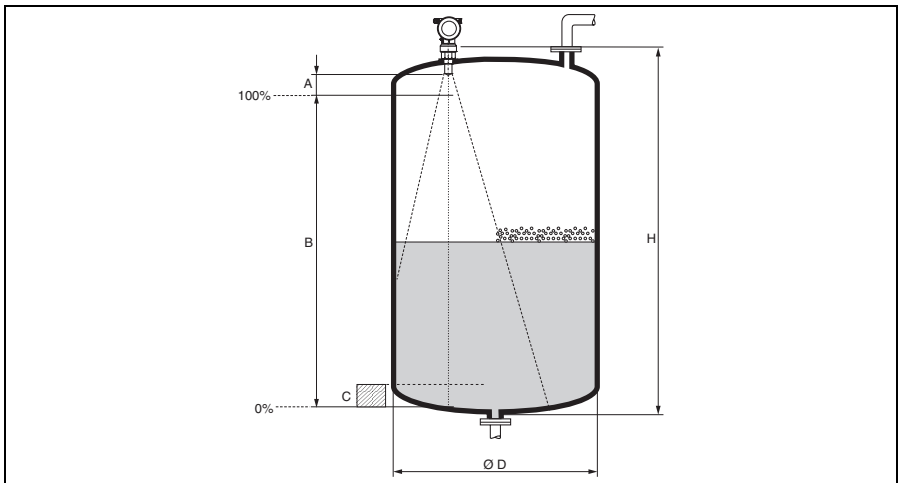


L00-FMR2xxxx-14-00-06-de-027

2.3.8 Measuring conditions in liquids

- In case of **boiling surfaces, bubbling** or tendency for **foaming**, use FMR230 or FMR231. Depending on its consistence, foam can either absorb microwaves or reflect them off the foam surface. Measurement is possible under certain conditions.
- In case of heavy **steam development** or **condensate** the max. measuring range of FMR240 may decrease depending on density, temperature and composition of the steam
→ use FMR230 or FMR231.

- For the measurement of absorbing gases such as **ammonia NH₃** or some **fluorocarbons¹⁾**, please use FMR230 in a stilling well.
- The measuring range begins, where the beam hits the tank bottom. Particularly with dish bottoms or conical outlets the level cannot be detected below this point.
- In case of media with a low dielectric constant (groups A and B), the tank bottom can be visible through the medium at low levels (low height C). Reduced accuracy has to be expected in this range. If this is not acceptable, we recommend positioning the zero point at a distance **C** (see Fig.) above the tank bottom in these applications.
- In principle it is possible to measure up to the tip of the antenna with FMR230/231/240. However, due to considerations regarding corrosion and build-up, the end of the measuring range should not be chosen any closer than **A** (see Fig.) to the tip of the antenna. For FMR244/245, the end of measuring range should not be chosen closer than **A** (see Fig.) to the tip of the antenna, especially if there is development of condensate.
- The smallest possible measuring range **B** depends on the antenna version (see Fig.).
- The tank diameter should be greater than **D** (see Fig.), the tank height at least **H** (see Fig.).



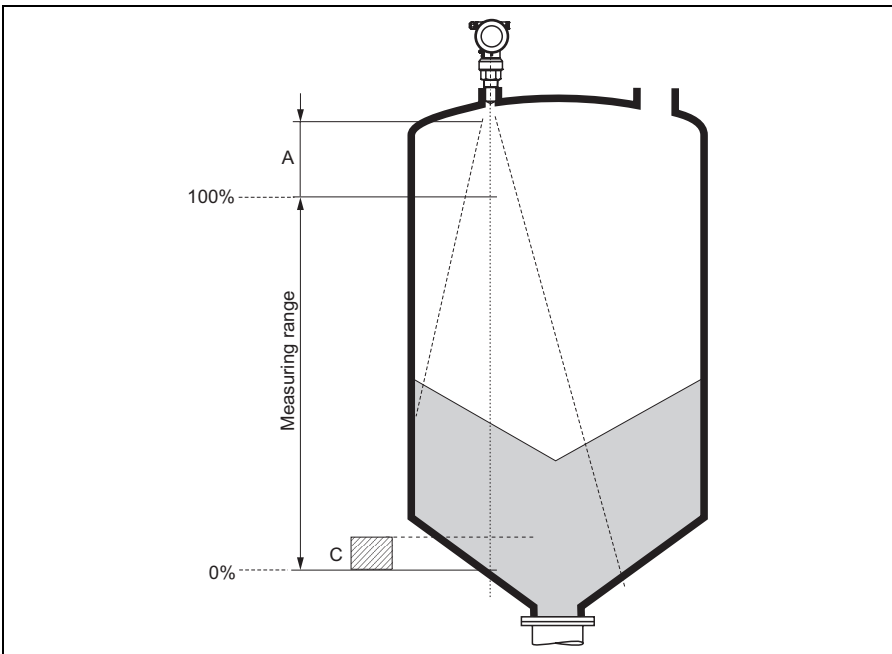
100-FMR2xxxx-17-00-00-en-009

A [mm (in)]	B [m (ft)]	C [mm (in)]	D [m (ft)]	H [m (ft)]
150 (5.91)	> 0,2 (0.7)	50 to 250 (1.97 to 9.84)	> 0,2 (0.7)	> 0,3 (1)

1) Affected compounds are e.g. R134a, R227, Dymel 152a

2.3.9 Measuring conditions in solids

- The measuring range begins, where the beam hits the bottom. Particularly with conical outlets the level cannot be detected below this point.
The maximum measuring range can be increased in such applications by using a top target positioner (see TI345F/00/EN).
- In case of media with a low dielectric constant (groups A and B), the bottom can be visible through the medium at low levels. In order to guarantee the required accuracy in these cases, it is recommended to position the zero-point at a distance **C** above the bottom (see Figure).
- In principle it is possible to measure up to the tip of the antenna with the Micropilot M. However, due to considerations regarding abrasion and build-up and depending on the orientation of the product surface (angel of repose), the end of the measuring range should be at a distance of **A** (see Fig.). If required, and if some conditions (high DC value, flat angle of repose) are met, shorter distances can be achieved.



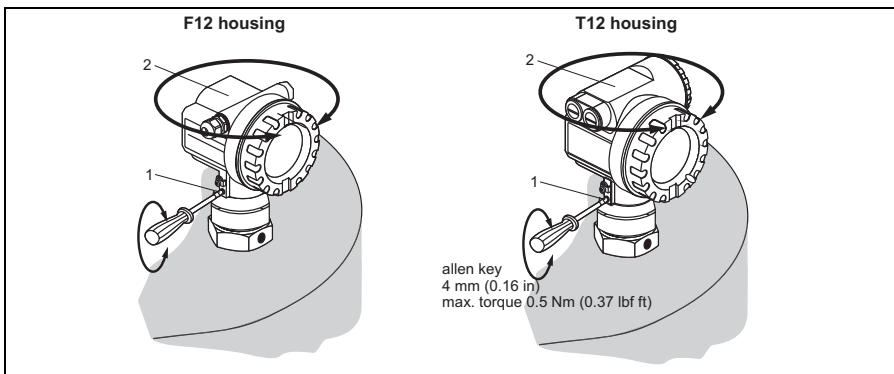
100-FMR250xx-17-00-00-en-001

A [mm (in)]	C [mm (in)]
approx. 400 (15.7)	50 to 150 (1.97 to 5.91)

2.3.10 Turn housing

After mounting, the housing can be turned 350° in order to simplify access to the display and the terminal compartment. Proceed as follows to turn the housing to the required position:

- Undo the fixing screws (1).
- Turn the housing (2) in the required direction.
- Tighten up the fixing screws (1).



L00-FMR2xxxx-17-00-00-en-011


2.4 Post-installation check

After the measuring instrument has been installed, perform the following checks:

- Is the measuring instrument damaged (visual check)?
- Does the measuring instrument correspond to the measuring point specifications such as process temperature/pressure, ambient temperature, measuring range, etc.?
- Is the flange marking correctly aligned (→ 5)?
- Have the flange screws been tightened up with the respective tightening torque?
- Are the measuring point number and labeling correct (visual check)?
- Is the measuring instrument adequately protected against rain and direct sunlight (see Chapter "Accessories" in the Operating Instruction on the CD-ROM)?

3 Wiring

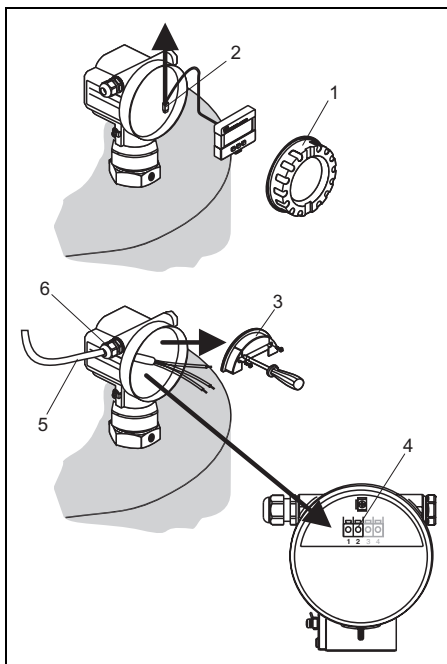
 **Warning!**
When using the measuring instrument in hazardous areas, installation must comply with the corresponding national standards and regulations and the Safety Instructions or Installation or Control Drawings.

 **Caution!**
Before connection please note the following:

- The power supply must be identical to the data on the nameplate.
- Switch off power supply before connecting up the instrument.
- Use screened, twisted wire pair.

3.1 Wiring in F12 housing

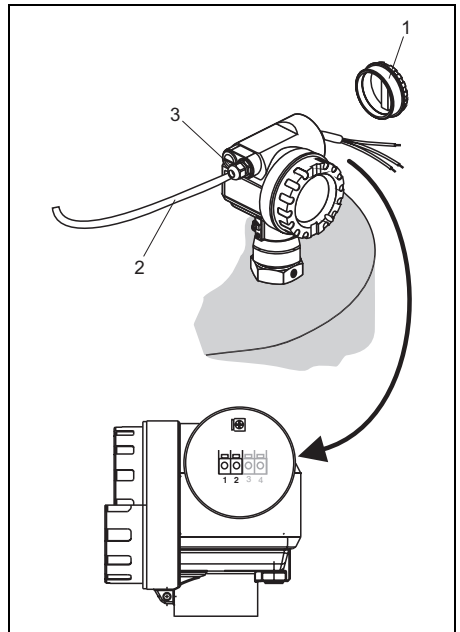
1. Unscrew housing cover (1).
2. Remove any display (2) if fitted.
3. Remove cover plate from terminal compartment (3).
4. Pull out terminal module (4) slightly using "pulling loop".
5. Insert cable (5) through gland (6).
6. Make connection (see terminal assignment).
7. Re-insert terminal module (4).
8. Tighten cable gland (6).
9. Tighten screws on cover plate (3).
10. Insert display (2) if fitted.
11. Screw on housing cover (1).
12. Switch on power supply.



L00-FMR244xx-04-00-00-xx-001

3.2 Wiring in T12 housing

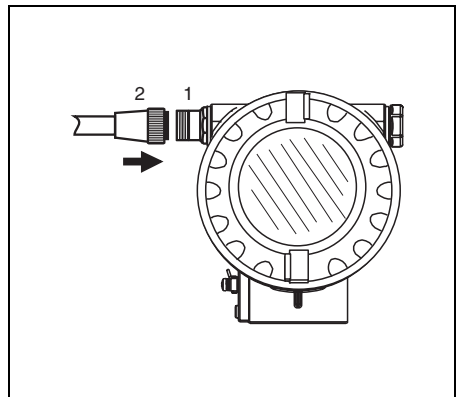
1. Unscrew housing cover (1).
2. Insert cable (2) through gland (3).
Use screened, twisted wire pair.
3. Connect cable screen to the grounding terminal (4) within the terminal compartment.
4. Make connection (see terminal assignment).
5. Tighten cable gland (3).
6. Screw on housing cover (1).
7. Switch on power supply.



L00-FMR244xxx-04-00-00-xx-002

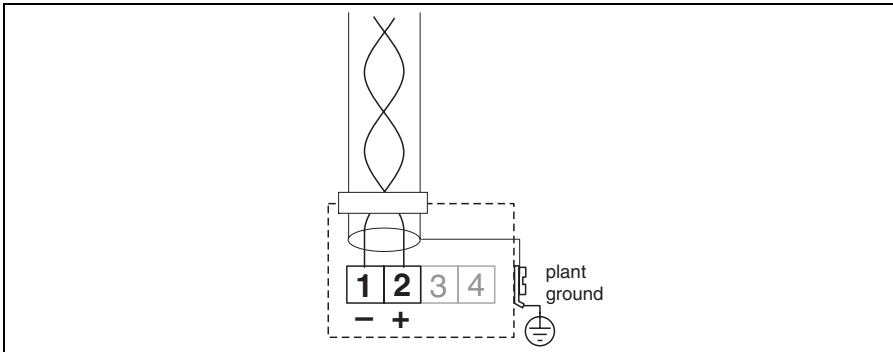
3.3 Wiring with FOUNDATION Fieldbus plug

1. Insert plug (1) into bushing (2).
2. Screw firmly.
3. Ground the device according to the desired safety concept.



L00-FMP4xxxx-04-00-00-xx-004

3.4 Terminal assignment



L00-FMxxxxx-04-00-00-en-013

3.5 Cable specification FOUNDATION Fieldbus

Twisted, shielded pairs must be used. The cable specifications can be taken from the FF specification or IEC 61158-2. The following have been found suitable:

- Siemens 6XV1 830-5BH10 (grey)
- Kerpen CEL-PE/OSCR/PVC/FRLA FB-02YS(ST)YFL (grey)
- Belden 3076F (orange)

3.6 Connecting the measuring unit

Cable entry

- Cable gland: M20x1.5 (recommended cable diameter 6 to 10 mm (0.24 to 0.39 in)).
- Cable entry: G½ or ½NPT
- 7/8" FOUNDATION Fieldbus plug

Terminals

Cable cross-section: 0.5 to 2.5 mm² (20 to 14 AWG).

Supply voltage

The following values are the voltages across the terminals directly at the instrument:

Supply voltage	9 V to 32 V (non Ex) max. voltage 35 V
Lift-off voltage	9 V
Polarity sensitive	No
FISCO/FNICO compliant	Yes

Current consumption

- Device basic current: 15 mA
- Device In-rush current: ≤ 15 mA
- Errir current FDE (Fault Disconnection Electronic): 0 mA

Overvoltage protector

The level transmitter Micropilot M with T12-housing (housing version "D", see ordering information) is equipped with an internal overvoltage protector (600 V surge arrester) according to DIN EN 60079-14 or IEC 60060-1 (impulse current test 8/20 μ s, $\hat{I} = 10$ kA, 10 pulses). Connect the metallic housing of the Micropilot M to the tank wall or screen directly with an electrically conductive lead to ensure reliable potential matching.

3.7 Screening/potential matching


- You achieve optimum screening against disturbances if the screening is connected on both sides (in the cabinet and on the device). If you have to reckon with potential equalisation currents in the plant, only earth screening on one side, preferably at the transmitter.
- When using in hazardous areas, you must observe the applicable regulations and the separate Ex documentation.

3.8 Degree of protection

- with closed housing: IP65, NEMA4X (higher degree of protection e. g. IP68 on request)
- with open housing: IP20, NEMA1 (also ingress protection of the display)
- antenna: IP68 (NEMA6P)

3.9 Post-connection check

After wiring the measuring instrument, perform the following checks:

- Is the terminal allocation correct (→  16)?
- Is the cable gland tight?
- Is the FOUNDATION Fieldbus plug screwed tight?
- Is the housing cover screwed tight?
- If auxiliary power is available:
 - Is the instrument ready for operation and does the liquid crystal display show any value?

4 Operation

4.1 General structure of the operating menu

The operating menu is made up of two levels::

- **Function groups (00, 01, 03, ..., 0C, 0D):**

The individual operating options of the instrument are split up roughly into different function groups. The function groups that are available include, e.g.: "**basic setup**", "**safety settings**", "**output**", "**display**", etc.

- **Functions (001, 002, 003, ..., 0D8, 0D9):**

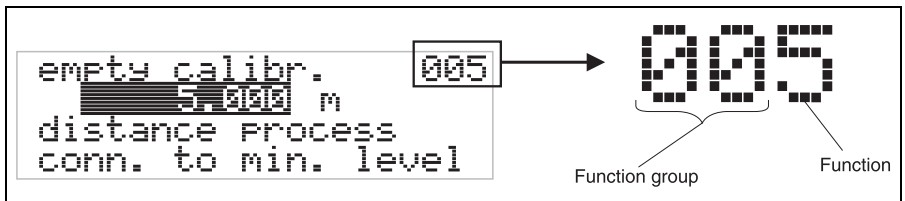
Each function group consists of one or more functions. The functions perform the actual operation or parameterisation of the instrument. Numerical values can be entered here and parameters can be selected and saved. The available functions of the "**basic setup**" (00) function group include, e.g.: "**media type**" (001), "**tank shape**" (002), "**medium property**" (003), "**process cond.**" (004), "**empty calibr.**" (005), etc.

If, for example, the application of the instrument is to be changed, carry out the following procedure:

1. Select the "**basic setup**" (00) function group.
2. Select the "**media type**" (001) function group.
3. Select the "**tank shape**" (002) function (where the existing tank shape is selected).

4.1.1 Identifying the functions

For simple orientation within the function menus, for each function a position is shown on the display.



L00-FMRxxxx-07-00-00-en-005

The first two digits identify the function group:

- **basic setup** 00
- **safety settings** 01
- **linearisation** 04

...

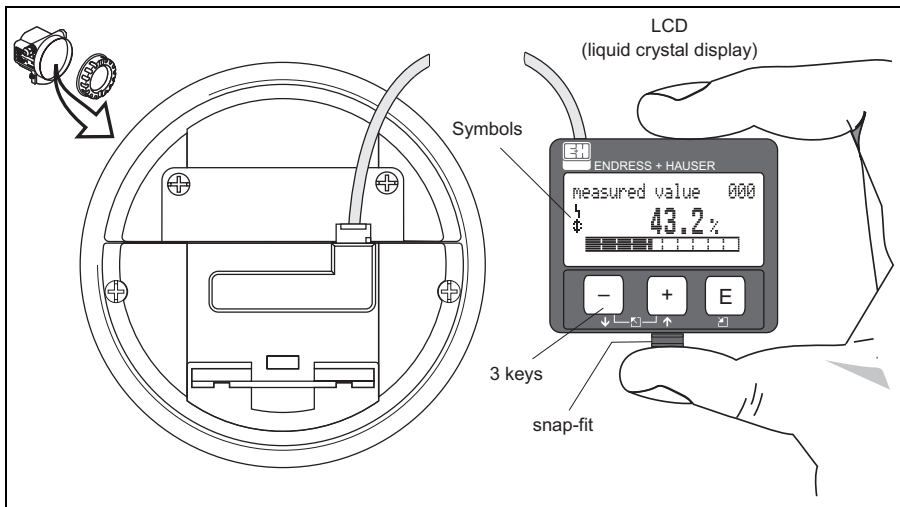
The third digit numbers the individual functions within the function group:

■ basic setup	00	→	■ media type	001
			■ tank shape	002
			■ medium property	003
			■ process cond	004
			...	

Here after the position is always given in brackets (e.g. "**tank shape**" (**002**)) after the described function.

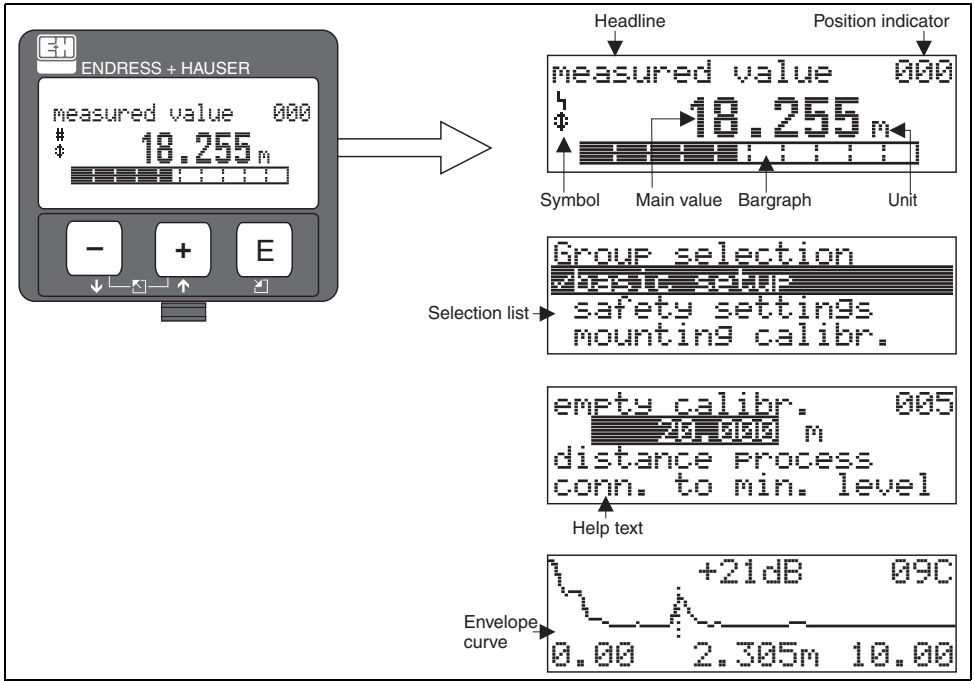
4.2 Display and operating elements

Four lines with 20 characters each. Display contrast adjustable through key combination.



The LCD display can be removed to ease operation by simply pressing the snap-fit (see graphic above). It is connected to the device by means of a 500 mm (19.7 in) cable.

4.2.1 Display










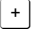

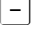




L00-FMRxxxx-07-00-00-en-003

4.2.2 Display symbols

The following table describes the symbols that appear on the liquid crystal display:

Symbol	Meaning
	ALARM_SYMBOL This alarm symbol appears when the instrument is in an alarm state. If the symbol flashes, this indicates a warning.
	LOCK_SYMBOL This lock symbol appears when the instrument is locked, i.e. if no input is possible.
	COM_SYMBOL This communication symbol appears when a data transmission via e.g. HART, PROFIBUS PA or FOUNDATION Fieldbus is in progress.
	SIMULATION_SWITCH_ENABLE This communication symbol appears when simulation in FOUNDATION Fieldbus is enabled via the DIP switch.

4.2.3 Key assignment

Key(s)	Meaning
 or 	Navigate upwards in the selection list. Edit numeric value within a function.
 or 	Navigate downwards in the selection list. Edit numeric value within a function.
 or 	Navigate to the left within a function group.
	Navigate to the right within a function group, confirmation.
 and  or  and 	Contrast settings of the LCD.
 and  and 	Hardware lock / unlock After a hardware lock, an operation of the instrument via display or communication is not possible! The hardware can only be unlocked via the display. An unlock parameter must be entered to do so.

5 Commissioning

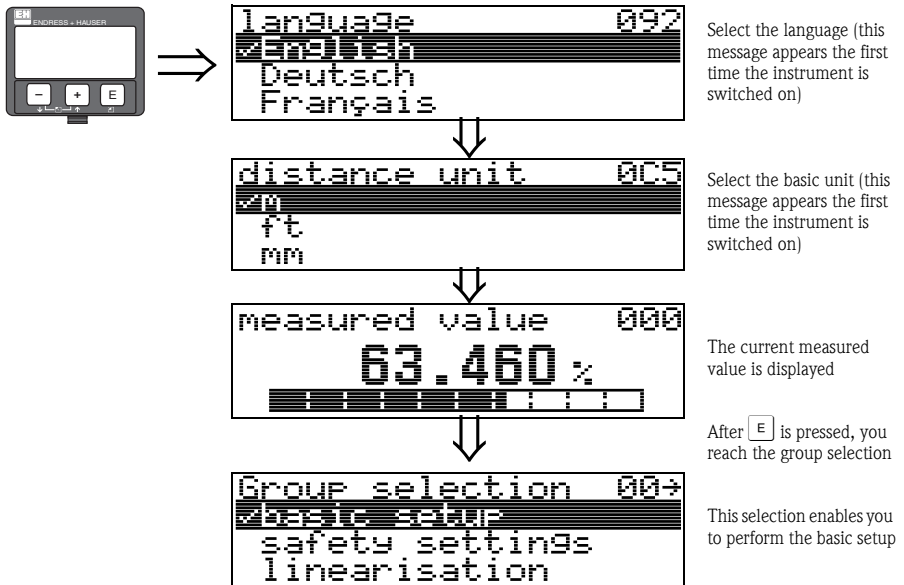
5.1 Function check

Make sure that all final checks have been completed before you start up your measuring point:

- Checklist "Post-installation check", → 13.
- Checklist "Post-connection check", → 18.

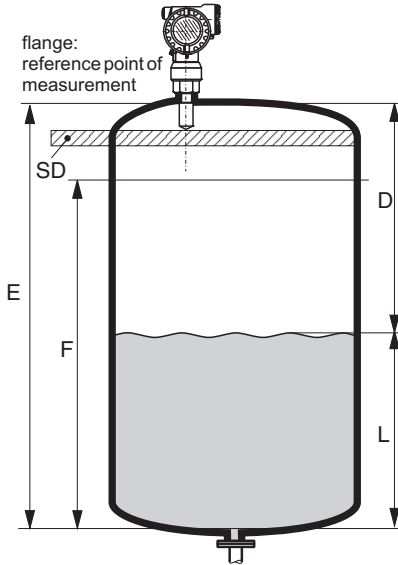
5.2 Switching on the measuring device

When the instrument is switched on for the first time, the following messages appear in a sequence of 5 s on the display: software version, communication protocol and language selection.

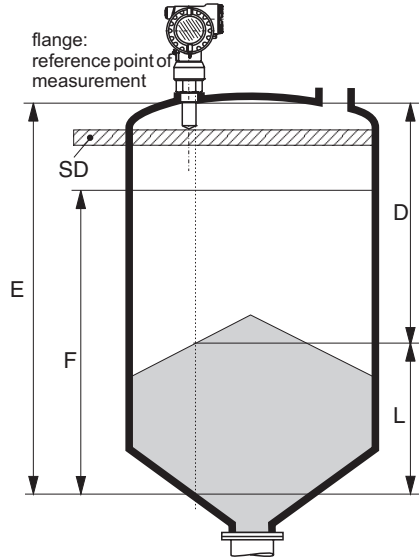


5.3 Overview Basic Setup

level measurement in liquids



level measurement in solids



- E = empty calibr. (= zero), setting in 005
- F = full calibr. (= span), setting in 006
- D = distance (distance flange / product), display in 0A5
- L = level, display in 0A6
- SD = safety distance, setting in 015

L00-FMR244xx-19-00-00-en-003

**Caution!**

The basic setup is sufficient for successful commissioning in most applications. Complex measuring operations necessitate additional functions that the user can use to customise the Micropilot as necessary to suit his specific requirements. The functions available to do this are described in detail in the BA291F/00/EN.

Comply with the following instructions when configuring the functions in the "**basic setup**" (00):

- Select the functions as described in BA250F/00/EN.
- Some functions can only be used depending on the parameterisation of the instrument. For example, the pipe diameter of a stilling well can only be entered if "**stilling well**" was selected beforehand in the "**tank shape**" (002) function.
- Certain functions (e.g. starting an interference echo mapping (053)) prompt you to confirm your data entries. Press or to select "**YES**" and press to confirm. The function is now started.
- If you do not press a key during a configurable time period (→ function group "**display**" (09)), an automatic return is made to the home position (measured value display).

**Note!**

- The instrument continues to measure while data entry is in progress, i.e. the current measured values are output via the signal outputs in the normal way.
- If the envelope curve mode is active on the display, the measured values are updated in a slower cycle time. Thus, it is advisable to leave the envelope curve mode after the measuring point has been optimised.
- If the power supply fails, all preset and parameterised values remain safely stored in the EEPROM.
- All functions are described in detail, as is the overview of the operating menu itself, in the manual "**BA291F - Description of Instrument Functions**", which is found on the enclosed CD-ROM
- The default values of the parameters are typed in **boldface**.

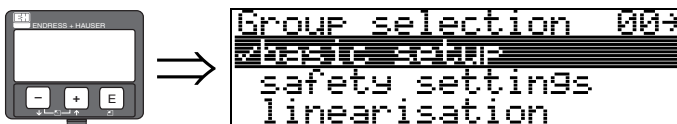
5.4 Basic Setup with the device display

5.4.1 Function "measured value" (000)



This function displays the current measured value in the selected unit (see "**customer unit**" (042) function). The number of digits after decimal point can be selected in the "**no. of decimals**" (095) function.

5.4.2 Function group "basic setup" (00)



5.4.3 Function "media type" (001)



This function is used to select the media type.

Selection:

- liquid
- solid

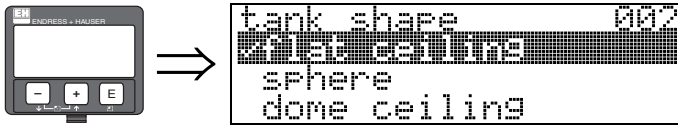
With the selection "liquid" only the following functions can be adjusted:

- | | |
|--------------------|-----|
| ■ tank shape | 002 |
| ■ medium property | 003 |
| ■ process cond. | 004 |
| ■ empty calibr. | 005 |
| ■ full calibr. | 006 |
| ■ pipe diameter | 007 |
| ■ check distance | 051 |
| ■ range of mapping | 052 |
| ■ start mapping | 053 |
| ■ ... | |

With the selection "solids" only the following functions can be adjusted:

- | | |
|--------------------|-----|
| ■ vessel / silo | 00A |
| ■ medium property | 00B |
| ■ process cond. | 00C |
| ■ empty calibr. | 005 |
| ■ full calibr. | 006 |
| ■ check distance | 051 |
| ■ range of mapping | 052 |
| ■ start mapping | 053 |
| ■ | |

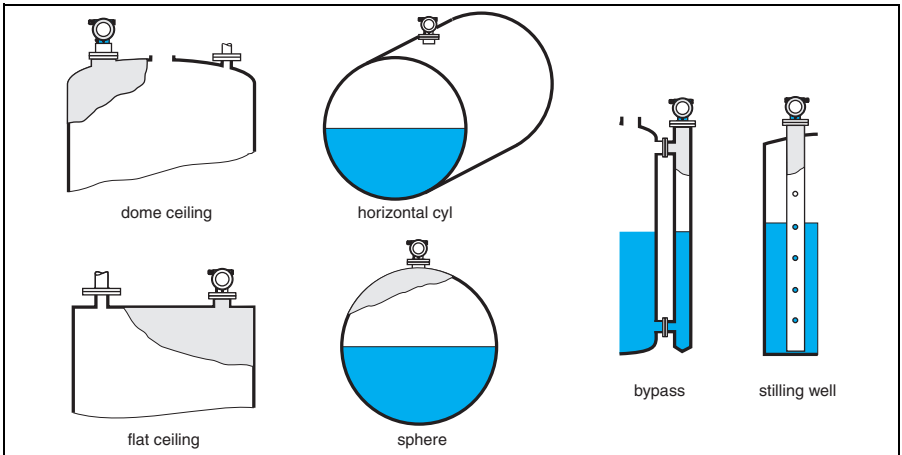
5.4.4 Function "tank shape" (002), liquids only



This function is used to select the tank shape.

Selection:

- dome ceiling
- horizontal cyl
- bypass
- stilling well
- flat ceiling
- sphere



L00-FMR2xxx-14-00-06-en-007

5.4.5 Function "medium property" (003), liquids only



This function is used to select the dielectric constant.

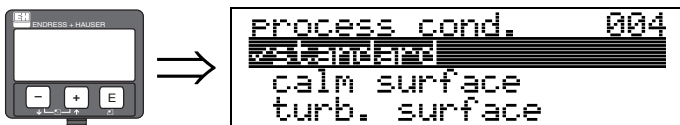
Selection:

- **unknown**
- DC: < 1.9
- DC: 1.9 ... 4
- DC: 4 ... 10
- DC: > 10

Media group	DC (ϵ_r)	Examples
A	< 1.9	non-conducting liquids, e.g. liquefied gas ¹⁾
B	1.9 to 4	non-conducting liquids, e.g. benzene, oil, toluene ...
C	4 to 10	e.g. concentrated acids, organic solvents, esters, aniline, alcohol, acetone ...
D	> 10	conducting liquids, e.g. aqueous solutions, dilute acids and alkalis

1) Treat Ammonia NH₃ as a medium of group A, i.e. use FMR230 in a stilling well.

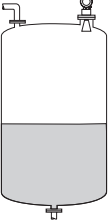
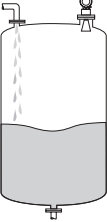
5.4.6 Function "process cond." (004), liquids only

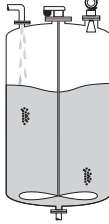
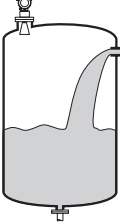


This function is used to select the process conditions.

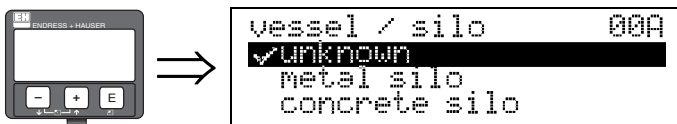
Selection:

- **standard**
- calm surface
- turb. surface
- agitator
- fast change
- test: no filter

standard	calm surface	turb. surface
For all applications that do not fit into any of the following groups.	Storage tanks with immersion tube or bottom filling.	Storage / buffer tanks with rough surface due to free filling or mixer nozzles.
	 <p style="text-align: right; font-size: small;">a0006540</p>	 <p style="text-align: right; font-size: small;">a0006538</p>
The filter and output damping are set to average values.	The averaging filters and output damping are set to high values. → steady meas. value → precise measurement → slower reaction time	Special filters to smooth the input signals are emphasised. → smoothed meas. value → medium fast reaction time

agitator	fast change	test: no filter
Agitated surfaces (with possible vortex) due to agitators.	Rapid change of level, particularly in small tanks.	All filters can be switched off for service / diagnostic purposes.
 <p style="text-align: right; font-size: small;">a0006537</p>	 <p style="text-align: right; font-size: small;">a0006539</p>	
Special filters to smooth the input signals are set to high values. → smoothed meas. value → medium fast reaction time → minimization of effects by agitator blades.	The averaging filters are set to low values. The output damping is set to 0. → rapid reaction time → possibly unsteady meas. value	All filters off.

5.4.7 Function "vessel / silo" (00A), solids only

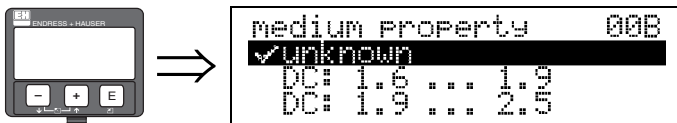


This function is used to select the vessel / silo.

Selection:

- unknown
- metal silo
- concrete silo
- bin / bunker
- dome
- stockpile
- conveyor belt

5.4.8 Function "medium property" (00B), solids only



This function is used to select the dielectric constant.

Selection:

- unknown
- DC: 1.6 ... 1.9
- DC: 1.9 ... 2.5
- DC: 2.5 ... 4
- DC: 4 ... 7
- DC: > 7

Media group	DC (ϵ_r)	Examples
A	1.6 to 1.9	Plastic granulate, White lime, special cement, sugar
B	1.9 to 2.5	Portland cement, plaster
C	2.5 to 4	Grain, seeds, ground stones, sand
D	4 to 7	naturally moist (ground) stones, ores, salt
E	> 7	Metallic powder, carbon black, coal

The respective lower group applies for very loose or loosened bulk solids.

5.4.9 Function "process cond." (00C), solids only



This function is used to select the process conditions.

Selection:

- standard
- fast change
- slow change
- test: no filter

5.4.10 Function "empty calibr." (005)



This function is used to enter the distance from the flange (reference point of the measurement) to the minimum level (=zero) (→ 24).



Caution!

For dish bottoms or conical outlets, the zero point should be no lower than the point at which the radar beam hits the bottom of the tank.

5.4.11 Function "full calibr." (006)



This function is used to enter the distance from the minimum level to the maximum level (=span). In principle, it is possible to measure up to the tip of the antenna. However, due to considerations regarding corrosion and build-up, the end of the measuring range should not be chosen any closer than 50 mm (1.97 in) to the tip of the antenna.



Note!

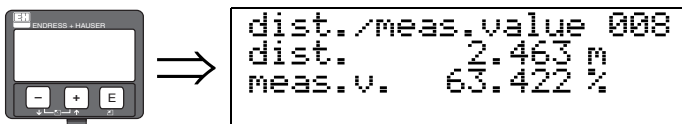
If **bypass** or **stilling well** was selected in the **"tank shape" (002)** function, the pipe diameter is requested in the following step.

5.4.12 Function "pipe diameter" (007)



This function is used to enter the pipe diameter of the stilling well or bypass pipe. Microwaves propagate more slowly in pipes than in free space. This effect depends on the inside diameter of the pipe and is automatically taken into account by the Micropilot. It is only necessary to enter the pipe diameter for applications in a bypass or stilling well.

5.4.13 Function "dist./meas.value" (008)



The **distance** measured from the reference point to the product surface and the **level** calculated with the aid of the empty adjustment are displayed. Check whether the values correspond to the actual meas. value or the actual distance. The following cases can occur:

- Distance correct - level correct → continue with the next function "**check distance**" (051)
- Distance correct - level incorrect → Check "**empty calibr.**" (005)
- Distance incorrect - level incorrect → continue with the next function "**check distance**" (051).

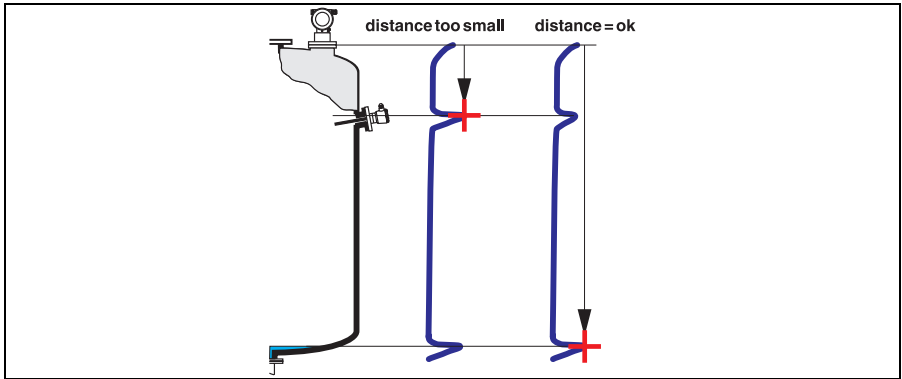
5.4.14 Function "check distance" (051)



This function triggers the mapping of interference echoes. To do so, the measured distance must be compared with the actual distance to the product surface. The following options are available for selection:

Selection:

- distance = ok
- dist. too small
- dist. too big
- **dist.unknown**
- manual



L00-FMR2xxx-14-00-06-es-010

distance = ok

- mapping is carried out up to the currently measured echo
- The range to be suppressed is suggested in the **"range of mapping" (052)** function



Note!

Anyway, it is wise to carry out a mapping even in this case.

dist. too small

- At the moment, an interference is being evaluated
- Therefore, a mapping is carried out including the presently measured echoes
- The range to be suppressed is suggested in the **"range of mapping" (052)** function

dist. too big

- This error cannot be remedied by interference echo mapping
- Check the application parameters **(002)**, **(003)**, **(004)** and **"empty calibr." (005)**

dist. unknown

If the actual distance is not known, no mapping can be carried out.

manual

A mapping is also possible by manual entry of the range to be suppressed. This entry is made in the **"range of mapping"(052)** function.



Caution!

The range of mapping must end 0,5 m (1.6 ft) before the echo of the actual level. For an empty tank, do not enter E, but E - 0,5 m (1.6 ft). If a mapping already exists, it is overwritten up to the distance specified in **"range of mapping" (052)**. Beyond this value the existing mapping remains unchanged.

5.4.15 Function "range of mapping" (052)



This function displays the suggested range of mapping. The reference point is always the reference point of the measurement (→ 24). This value can be edited by the operator. For manual mapping, the default value is: 0 m.

5.4.16 Function "start mapping" (053)



This function is used to start the interference echo mapping up to the distance given in **"range of mapping" (052)**.

Selection:

- **off**: no mapping is carried out
- **on**: mapping is started

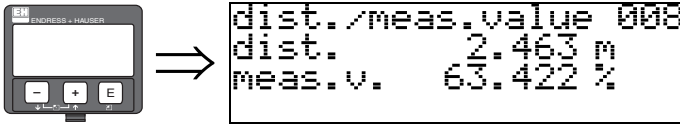
During the mapping process the message **"record mapping"** is displayed.



Caution!

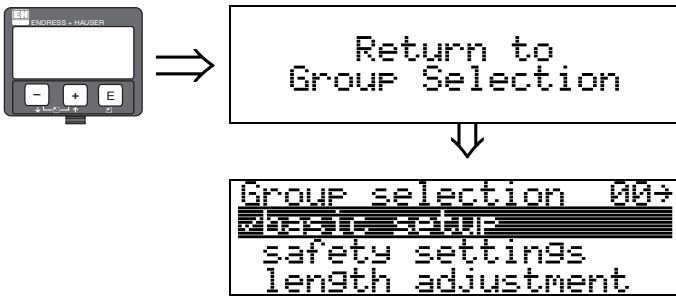
A mapping will be recorded only, if the device is not in alarm-state.

5.4.17 Function "dist./meas.value" (008)



The **distance** measured from the reference point to the product surface and the **level** calculated with the aid of the empty adjustment are displayed. Check whether the values correspond to the actual meas. value or the actual distance. The following cases can occur:

- Distance correct - level correct → continue with the next function "**check distance**" (051)
- Distance correct - level incorrect → Check "**empty calibr.**" (005)
- Distance incorrect - level incorrect → continue with the next function "**check distance**" (051).

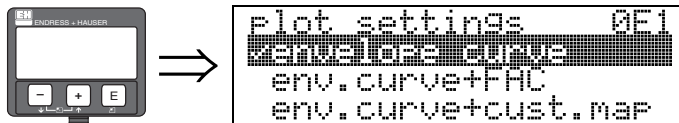


After 3 s, the following message appears

5.5 Envelope curve with the instrument display

After the basic setup, an evaluation of the measurement with the aid of the envelope curve ("envelope curve" (0E) function group) is recommended.

5.5.1 Function "plot settings" (0E1)



Select which information will be displayed in the LCD:

- **envelope curve**
- env.curve+FAC (on FAC see BA291F/00/EN)
- env.curve+cust.map (i.e. customer tank map is also displayed)

5.5.2 Function "recording curve" (0E2)

This function defines whether the envelope curve is read as a

- **single curve** or
- cyclic

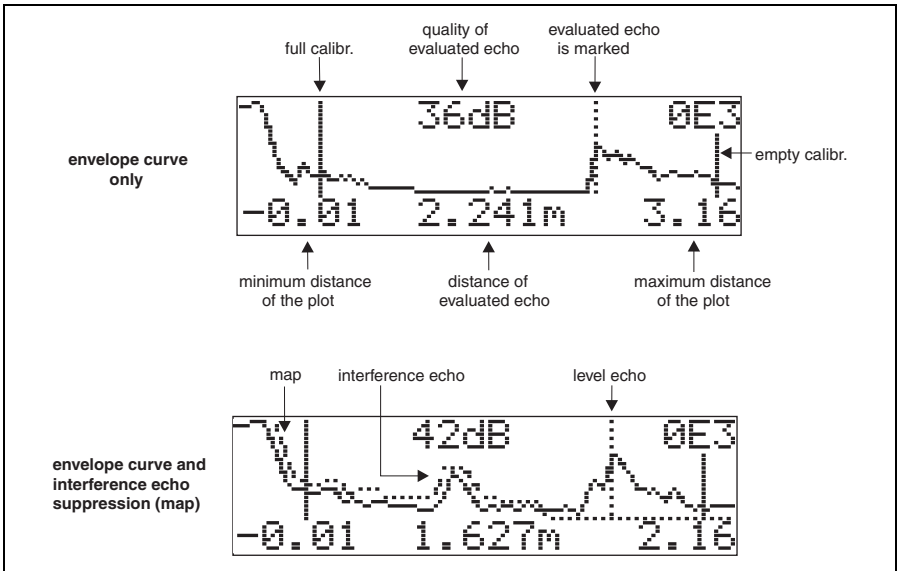


Note!

- If the cyclical envelope curve is active in the display, the measured value is refreshed in a slower cycle time. It is therefore recommended to exit the envelope curve display after optimising the measuring point.
- An **orientation** of the Micropilot can help to optimise measurement in applications with very weak level echos or strong interference echos by increasing the useful echo/reducing the interference echo (see BA250F/00/EN, Chapter "Orientation of the Micropilot").

5.5.3 Function "envelope curve display" (0E3)

The envelope curve is displayed in this function. You can use it to obtain the following information:



L00-FMIJxxxx-07-00-00-en-003

www.endress.com/worldwide

Endress+Hauser 

People for Process Automation

KA1011F/00/EN/12.09
71030605
CCS/FM+SGML 6.0 ProMoDo

