

Technical Information

Proline Promag 50D

Electromagnetic flow measuring system

Flow measurement of liquids in water or wastewater applications



Application

Electromagnetic flowmeter for bidirectional measurement of liquids with:

- A minimum conductivity of $\geq 5 \mu\text{S}/\text{cm}$
 - Drinking water
 - Wastewater
- Flow measurement up to $4700 \text{ dm}^3/\text{min}$ (1250 gal/min)
- Fluid temperature up to $+60 \text{ }^\circ\text{C}$ ($+140 \text{ }^\circ\text{F}$)
- Process pressures up to 16 bar (232 psi)
- Polyamide lining material
- Drinking water approvals:
 - KTW/W270
 - WRAS BS 6920
 - ACS
 - NSF 61

Connection to process control system:

- HART
- PROFIBUS DP/PA

Your benefits

The measuring devices offer you cost-effective flow measurement with a high degree of accuracy for a wide range of process conditions.

The uniform Proline transmitter concept comprises:

- High level of efficiency thanks to modular device concept
- High degree of reliability and measuring stability
- Uniform operating concept

The tried-and-tested Promag sensors offer:

- No pressure loss
- Not sensitive to vibrations
- Simple installation and commissioning
- Compact design

Table of contents

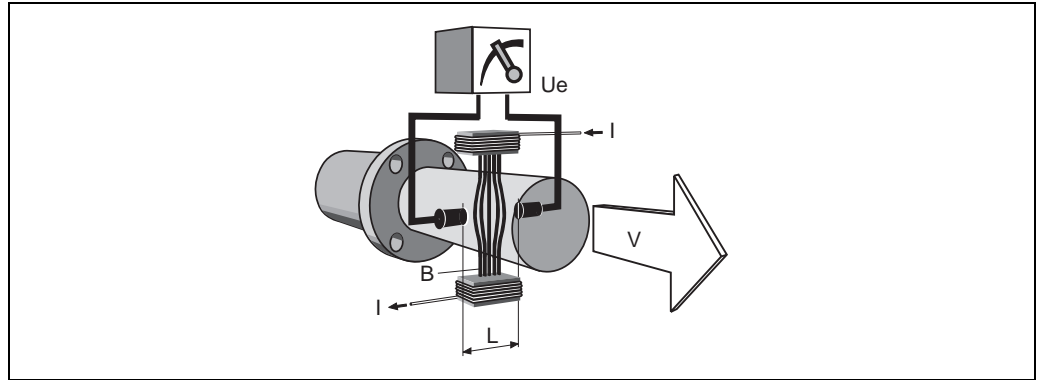
Function and system design	3	Process	17
Measuring principle	3	Medium temperature range	17
Measuring system	3	Medium pressure range	17
Input	4	Conductivity	17
Measured variable	4	Pressure-temperature ratings	17
Measuring range	4	Pressure tightness	18
Operable flow range	4	Limiting flow	18
Input signal	4	Pressure loss	18
Output	4	Mechanical construction	19
Output signal	4	Design, dimensions	19
Signal on alarm	5	Weight	23
Load	5	Measuring tube specifications	23
Switching output	5	Material	24
Low flow cut off	5	Mounting bolts	24
Galvanic isolation	5	Fitted electrodes	24
Power supply	6	Process connections	24
Terminal assignment	6	Operability	25
Supply voltage	6	Local operation	25
Power consumption	6	Language groups	25
Power supply failure	6	Remote operation	25
Electrical connection	7	Certificates and approvals	26
Electrical connection remote version	8	CE approval	26
Potential equalization	8	C-tick symbol	26
Cable entries	9	Ex approval	26
Cable specification remote version	9	Drinking water approval	26
Performance characteristics	11	Certification PROFIBUS DP/PA	26
Reference operating conditions	11	Other standards and guidelines	26
Maximum measured error	11	Ordering information	26
Repeatability	11	Accessories	27
Installation	12	Device-specific accessories	27
Mounting location	12	Measuring principle-specific accessories	27
Orientation	12	Communication-specific accessories	28
Installation instructions	13	Service-specific accessories	29
Inlet and outlet runs	14	Documentation	30
Adapters	15	Registered trademarks	30
Mounting kit	16		
Length of connecting cable	16		
Environment	17		
Ambient temperature range	17		
Storage temperature	17		
Degree of protection	17		
Shock and vibration resistance	17		
Electromagnetic compatibility (EMC)	17		

Function and system design

Measuring principle

Following *Faraday's law of magnetic induction*, a voltage is induced in a conductor moving through a magnetic field.

In the electromagnetic measuring principle, the flowing fluid is the moving conductor. The voltage induced is proportional to the flow velocity and is supplied to the amplifier by means of two measuring electrodes. The flow volume is calculated by means of the pipe cross-sectional area. The DC magnetic field is created through a switched direct current of alternating polarity.



$$U_e = B \cdot L \cdot v$$

$$Q = A \cdot v$$

U_e	Induced voltage
B	Magnetic induction (magnetic field)
L	Electrode spacing
v	Flow velocity
Q	Volume flow
A	Pipe cross-section
I	Current strength

Measuring system

The measuring system consists of a transmitter and a sensor.

Two versions are available:

- Compact version: Transmitter and sensor form a mechanical unit.
- Remote version: Sensor is mounted separate from the transmitter.

Transmitter:

- Promag 50
(key operation, two-line, illuminated display)

Sensor:

- Promag D
DN 25 (1"), 40 (1 1/2"), 50 (2"), 65 (-), 80 (3"), 100 (4")

Input

Measured variable	Flow velocity (proportional to induced voltage)
Measuring range	Typically $v = 0.01$ to 10 m/s (0.033 to 33 ft/s) with the specified accuracy
Operable flow range	Over 1000 : 1
Input signal	<p>Status input (auxiliary input)</p> <p><i>HART</i></p> <ul style="list-style-type: none"> ■ Galvanically isolated ■ $U = 3$ to 30 V DC ■ $R_i = 5$ kΩ ■ Can be configured for: totalizer reset, positive zero return, error message reset <p><i>PROFIBUS DP</i></p> <ul style="list-style-type: none"> ■ Galvanically isolated ■ $U = 3$ to 30 V ■ $R_i = 3$ kΩ ■ Switching level: 3 to 30 V DC, polarity-independent ■ Can be configured for: totalizer reset, positive zero return, error message reset, batching start/stop (optional), batch totalizer reset (optional)

Output

Output signal	<p>Current output</p> <ul style="list-style-type: none"> ■ Galvanically isolated ■ Active/passive can be selected: <ul style="list-style-type: none"> – Active: 0/4 to 20 mA, $R_L < 700$ Ω (HART: $R_L \geq 250$ Ω) – Passive: 4 to 20 mA, supply voltage V_S 18 to 30 V DC, $R_i \geq 150$ Ω) ■ Time constant can be selected (0.01 to 100 s) ■ Full scale value adjustable ■ Temperature coefficient: typ. 0.005% o.r./$^{\circ}$C, resolution: 0.5 μA <p>o.r. = of reading</p> <p>Pulse/frequency output</p> <ul style="list-style-type: none"> ■ Galvanically isolated ■ Passive: 30 V DC / 250 mA ■ Open collector ■ Can be configured as: <ul style="list-style-type: none"> – Pulse output <ul style="list-style-type: none"> – Pulse value and pulse polarity can be selected, max. pulse width adjustable (0.5 to 2000 ms) – Frequency output <ul style="list-style-type: none"> – Full scale frequency 2 to 1000 Hz ($f_{max} = 1.25$ Hz), on/off ratio 1:1, pulse width max. 10 s. <p>PROFIBUS DP interface</p> <ul style="list-style-type: none"> ■ Transmission technology (Physical Layer): RS485 in accordance with ANSI/TIA/EIA-485-A: 1998, galvanically isolated ■ Profile version 3.0 ■ Data transmission rate: 9.6 kBaud to 12 MBaud ■ Automatic data transmission rate recognition ■ Function blocks: 1 \times analog input, 1 \times totalizer ■ Output data: volume flow, totalizer ■ Input data: positive zero return (ON/OFF), totalizer control, value for local display ■ Cyclic data transmission compatible with previous model "Promag 33" ■ Bus address adjustable via miniature switches or local display (optional) at the measuring device
----------------------	--

PROFIBUS PA interface

- Transmission technology (Physical Layer): IEC 61158-2 (MBP), galvanically isolated
- Profile version 3.0
- Current consumption: 11 mA
- Permissible supply voltage: 9 to 32 V
- Bus connection with integrated reverse polarity protection
- Error current FDE (Fault Disconnection Electronic): 0 mA
- Function blocks: 1 × analog input, 2 × totalizer
- Output data: volume flow, totalizer
- Input data: positive zero return (ON/OFF), totalizer control, value for local display
- Cyclic data transmission compatible with previous model "Promag 33"
- Bus address adjustable via miniature switches or local display (optional) at the measuring device

Signal on alarm

Current output

Failsafe mode can be selected (e.g. in accordance with NAMUR Recommendation NE 43)

Pulse/frequency output

Failsafe mode can be selected

Status output

"Not conductive" in the event of fault or power supply failure

Load

See "Output signal"

Switching output

Status output

- Galvanically isolated
- Max. 30 V DC/250 mA
- Open collector
- Can be configured for: error messages, flow direction, limit values

Low flow cut off

Low flow cut off, switch-on point can be selected as required

Galvanic isolation

All circuits for inputs, outputs and power supply are galvanically isolated from each other

Power supply

Terminal assignment

Order version	Terminal No.									
	20 (+)	21 (-)	22 (+)	23 (-)	24 (+)	25 (-)	26 (+)	27 (-)	1 (L1/L+)	2 (N/L-)
50***_*****W	-	-	-	-	-	-	-	-	Current output HART	Power supply
50***_*****A	-	-	-	-	Frequency output	-	-	-	Current output HART	Power supply
50***_*****D	-	-	Status input	Status output	Frequency output	-	-	-	Current output HART	Power supply
50***_*****H	-	-	-	-	-	-	-	-	PROFIBUS PA	Power supply
50***_*****J	-	-	-	-	+5 V (external termination)	-	-	-	PROFIBUS DP	Power supply
Functional values	See "Output signal"								See "Supply voltage"	

Supply voltage

HART, PROFIBUS DP

- 85 to 260 V AC, 45 to 65 Hz
- 20 to 55 V AC, 45 to 65 Hz
- 16 to 62 V DC

PROFIBUS PA

- Non-Ex: 9 to 32 V DC
- Ex i: 9 to 24 V DC
- Ex d: 9 to 32 V DC

Power consumption

Power consumption

- AC: < 15 VA (incl. sensor)
- DC: < 15 W (incl. sensor)

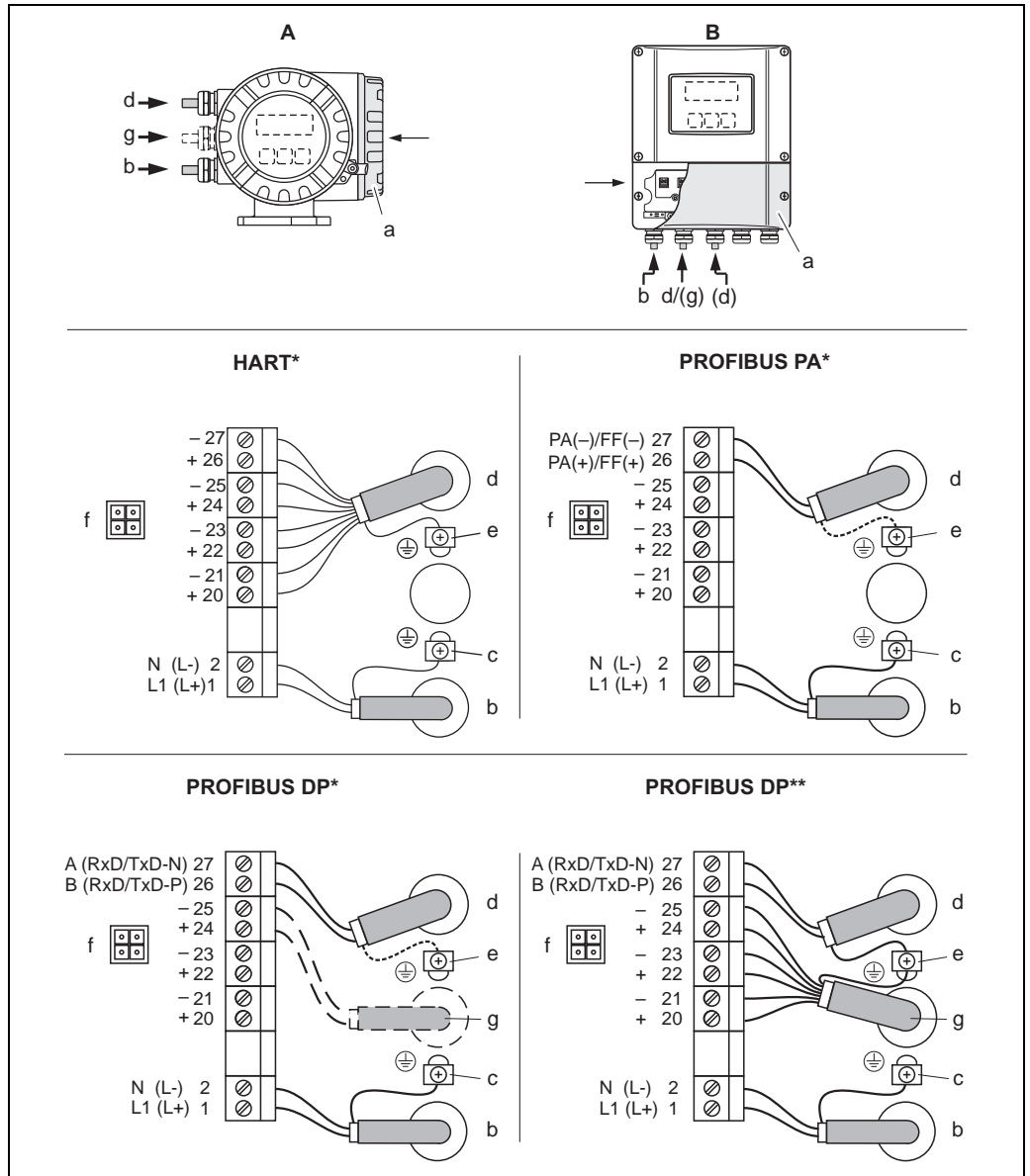
Switch-on current

- Max. 3 A (< 5 ms) for 260 V AC
- Max. 13.5 A (< 5 ms) for 24 V DC

Power supply failure

- Lasting min. 1 cycle frequency:
- EEPROM saves measuring system data
- S-DAT: exchangeable data storage chip which stores the data of the sensor (nominal diameter, serial number, calibration factor, zero point etc.)

Electrical connection



A0010733

Connecting the transmitter, cable cross-section max. 2.5 mm² (14 AWG)

- A Aluminum field housing
- B Wall-mount housing

- *) Permanent assignment communication boards
- **) Flexible assignment communication boards

- a Cover of the connection compartment
- b Cable for power supply: 85 to 260 V AC, 20 to 55 V AC, 16 to 62 V DC
Terminal No. 1: L1 for AC, L+ for DC
Terminal No. 1: N for AC, L- for DC

- c Ground terminal for protective ground
- d Signal cable: see terminal assignment

Fieldbus:

- Terminal 26: DP (B) / PA (+), PA with reverse polarity protection
- Terminal 27: DP (A) / PA (-), PA with reverse polarity protection

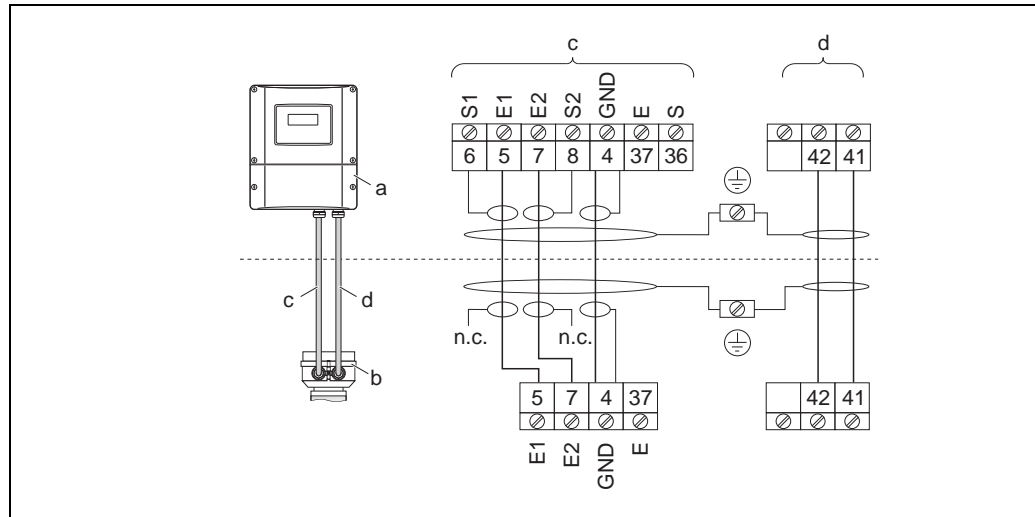
- e Ground terminal for signal cable/fieldbus cable

- f Service connector for connecting service interface FXA 193 (Fieldcheck, FieldCare)

- g Signal cable: see terminal assignment

- Cable for external termination (only for PROFIBUS DP with permanent assignment communication board)
 - Terminal No. 24: +5V
 - Terminal No. 25: DGND

Electrical connection remote version



Connecting the remote version

- a Wall-mount housing connection compartment
- b Sensor connection housing
- c Signal cable
- d Coil current cable
- n.c. Not connected, insulated cable shields

Cable colors/numbers for terminals:

5/6 = brown, 7/8 = white, 4 = green, 41 = 1, 42 = 2


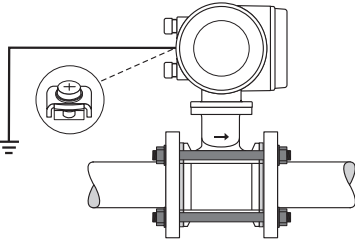
Potential equalization

Perfect measurement can only be guaranteed if the fluid and sensor are on the same electric potential. This is ensured by the two ground disks of the sensor.

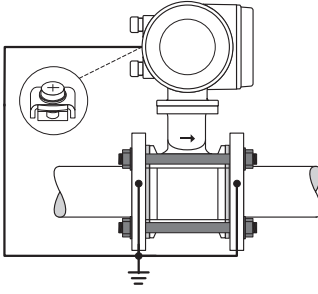
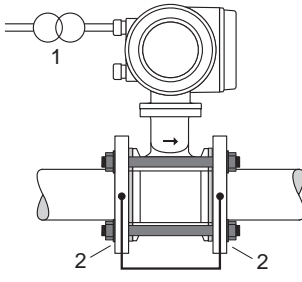
The following should also be taken into consideration for potential equalization:

- Internal grounding concepts in the company
- Operating conditions, such as the material/grounding of the pipes, cathodic protection etc. (see table)

Standard

Operating conditions	Potential equalization
<p>When using the measuring device in a:</p> <ul style="list-style-type: none"> ■ Metal, grounded pipe ■ Plastic pipe ■ Pipe with insulating lining <p>Potential equalization takes place via the ground terminal of the transmitter (standard situation).</p> <p> Note! When installing in metal pipes, we recommend you connect the ground terminal of the transmitter housing with the piping.</p>	 <p>Via the ground terminal of the transmitter</p>

Special cases

Operating conditions	Potential equalization
<p>When using the measuring device in a:</p> <ul style="list-style-type: none"> ■ Metal pipe that is not grounded <p>This connection method also applies in situations where:</p> <ul style="list-style-type: none"> ■ Customary potential equalization cannot be ensured ■ Excessively high equalizing currents can be expected <p>Potential equalization takes place via the ground terminal of the transmitter and the two pipe flanges.</p> <p>Here, the ground cable (copper wire, 6 mm² / 10 AWG) is mounted directly on the conductive flange coating with flange screws.</p>	 <p style="text-align: right; font-size: small;">A00012173</p> <p>Via the ground terminal of the transmitter and the flanges of the pipe (ground cable: copper wire at least 6 mm² / 10 AWG).</p>
<p>When using the measuring device in a:</p> <ul style="list-style-type: none"> ■ Pipe with a cathodic protection unit <p>The device is installed potential-free in the pipe.</p> <p>Only the two flanges of the pipe are connected with a ground cable (copper wire, 6 mm² / 10 AWG). Here, the ground cable is mounted directly on the conductive flange coating with flange screws.</p> <p>Note the following when installing:</p> <ul style="list-style-type: none"> ■ The applicable regulations regarding potential-free installation must be observed. ■ There should be no electrically conductive connection between the pipe and the device. ■ The mounting material must withstand the applicable torques. 	 <p style="text-align: right; font-size: small;">A00012174</p> <p>Potential equalization and cathodic protection (ground cable: copper wire at least 6 mm² / 10 AWG)</p> <p>1 Power supply isolation transformer 2 Electrically isolated</p>

Cable entries

Power supply and signal cables (inputs/outputs)

- Cable entry M20 × 1.5 (8 to 12 mm / 0.31 to 0.47")
- Thread for cable entries, 1/2" NPT, G 1/2"

Connecting cable for remote version

- Cable entry M20 × 1.5 (8 to 12 mm / 0.31 to 0.47")
- Thread for cable entries, 1/2" NPT, G 1/2"

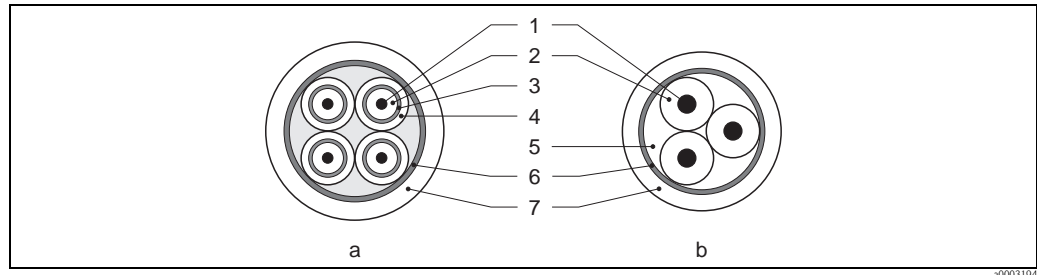
Cable specification remote version

Coil cable

- 2 × 0.75 mm² (18 AWG) PVC cable with common, braided copper shield (∅ ~ 7 mm / 0.28")
- Conductor resistance: ≤ 37 Ω/km (≤ 0.011 Ω/ft)
- Capacitance core/core, shield grounded: ≤ 120 pF/m (≤ 37 pF/ft)
- Operating temperature: -20 to +80 °C (-4 to +176 °F)
- Cable cross-section: max. 2.5 mm² (16 AWG)
- Test voltage for cable insulation: ≥ 1433 V AC r.m.s. 50/60 Hz or ≥ 2026 V DC

Signal cable

- 3 × 0.38 mm² (20 AWG) PVC cable with common, braided copper shield (∅ ~ 7 mm / 0.28") and individual shielded cores
- Conductor resistance: ≤ 50 Ω/km (≤ 0.015 Ω/ft)
- Capacitance core/shield: ≤ 420 pF/m (≤ 128 pF/ft)
- Operating temperature: -20 to +80 °C (-4 to +176 °F)
- Cable cross-section: max. 2.5 mm² (16 AWG)



- a* *Signal cable*
b *Coil current cable*
- 1* *Core*
2 *Core insulation*
3 *Core shield*
4 *Core jacket*
5 *Core reinforcement*
6 *Cable shield*
7 *Outer jacket*

Operation in zones of severe electrical interference

The measuring device complies with the general safety requirements in accordance with EN 61010-1, the EMC requirements of IEC/EN 61326 and NAMUR Recommendation NE 21.



Caution!

Grounding is by means of the ground terminals provided for the purpose inside the connection housing. Ensure that the stripped and twisted lengths of cable shield to the ground terminal are as short as possible.

Performance characteristics

Reference operating conditions

As per DIN EN 29104 and VDI/VDE 2641

- Fluid temperature: $+28\text{ °C} \pm 2\text{ K}$ ($+82\text{ °F} \pm 2\text{ K}$)
- Ambient temperature: $+22\text{ °C} \pm 2\text{ K}$ ($+72\text{ °F} \pm 2\text{ K}$)
- Warm-up period: 30 minutes

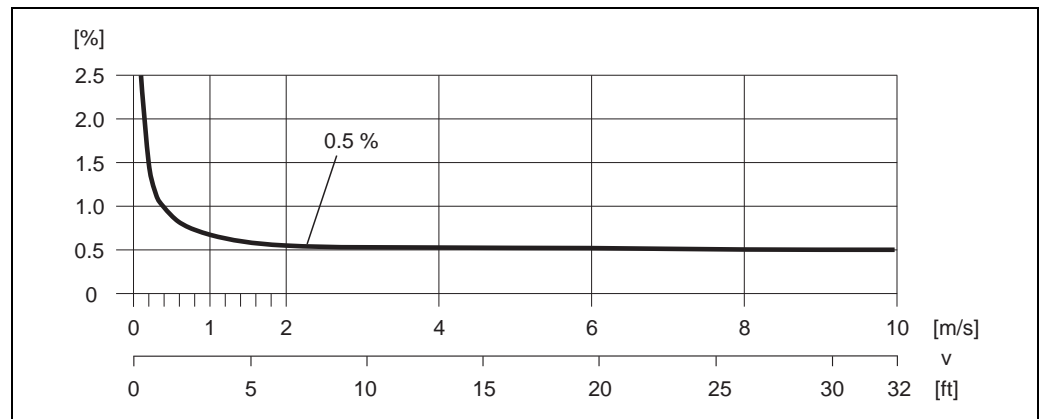
Installation

- Inlet run $> 10 \times \text{DN}$
- Outlet run $> 5 \times \text{DN}$
- Sensor and transmitter grounded.
- The sensor is centered in the pipe.

Maximum measured error

- Current output: also typically $\pm 5\text{ }\mu\text{A}$
- Pulse output: $\pm 0.5\%$ o.r. $\pm 1\text{ mm/s}$ ($\pm 0.5\%$ o.r. $\pm 0.04\text{ in/s}$) (o.r. = of reading)

Fluctuations in the supply voltage do not have any effect within the specified range.



Max. measured error in % of reading

Repeatability

Max. $\pm 0.1\%$ o.r. $\pm 0.5\text{ mm/s}$ ($\pm 0.1\%$ o.r. $\pm 0.02\text{ in/s}$) (o.r. = of reading)

Installation

Mounting location



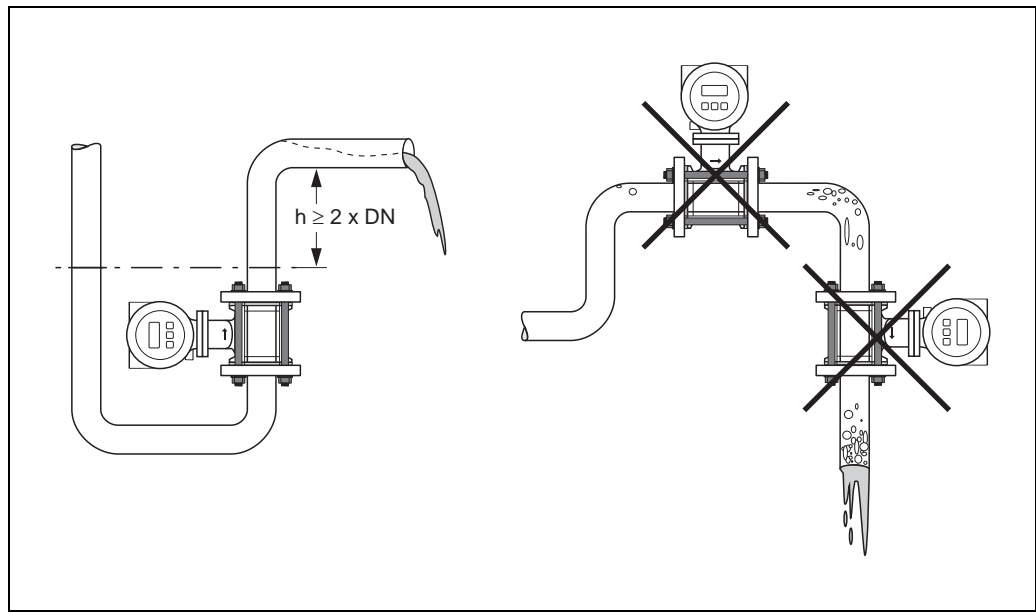
The sensor should preferably be installed in an ascending pipe. Ensure the sensor is an adequate distance ($\geq 2 \times \text{DN}$) away from the next pipe bend.

Note!

Entrained air or gas bubble formation in the measuring tube can result in an increase in measuring errors.

For this reason, the following mounting locations should be **avoided**:

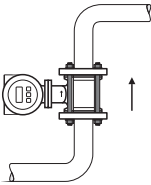
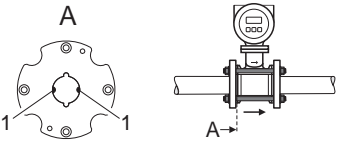
- Highest point of a pipeline. Risk of air accumulating!
- Directly upstream from a free pipe outlet in a vertical pipeline. Risk of pipe not filling correctly!



A0010705

Mounting location

Orientation

Vertical	Horizontal
<p>Vertical orientation is generally preferred. Vertical orientation helps avoid gas and air accumulations and deposits in the measuring tube.</p>  <p style="text-align: right;">A0010709</p> <p>Vertical orientation</p>	<p>The measuring electrode axis should be horizontal in the case of horizontal orientations. This prevents brief insulation of the two measuring electrodes by entrained air bubbles.</p>  <p style="text-align: right;">A0010710</p> <p>Horizontal orientation</p> <p>1 Measuring electrodes for signal detection</p>

Installation instructions

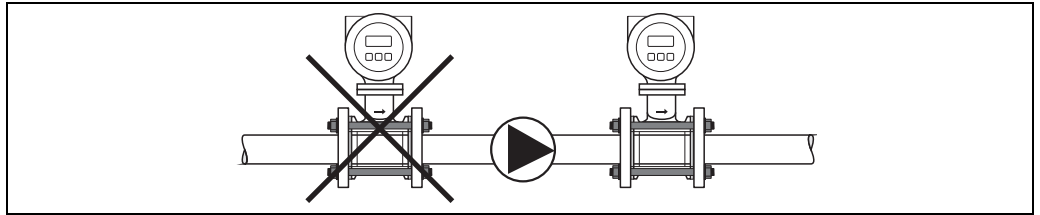
Installation with pumps

The sensor should only be installed on the pump pressure side.



Note!

- The sensor should **never** be installed on the pump suction side in order to avoid the risk of low pressure, and thus damage to the measuring tube.
Information on the pressure tightness of the measuring tube → 17, section "Pressure tightness".
- Pulsation dampers may be needed if the sensor is installed downstream from piston pumps, piston diaphragm pumps or hose pumps.
Information on the shock and vibration resistance of the device → 17, section "Shock and vibration resistance".

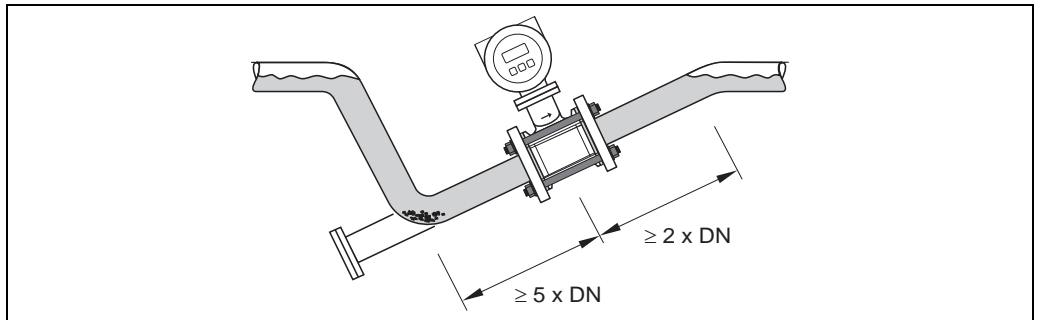


A0010706

Installing the device with a pump

Partially filled pipes

Partially filled pipes with gradients necessitate a drain-type configuration.

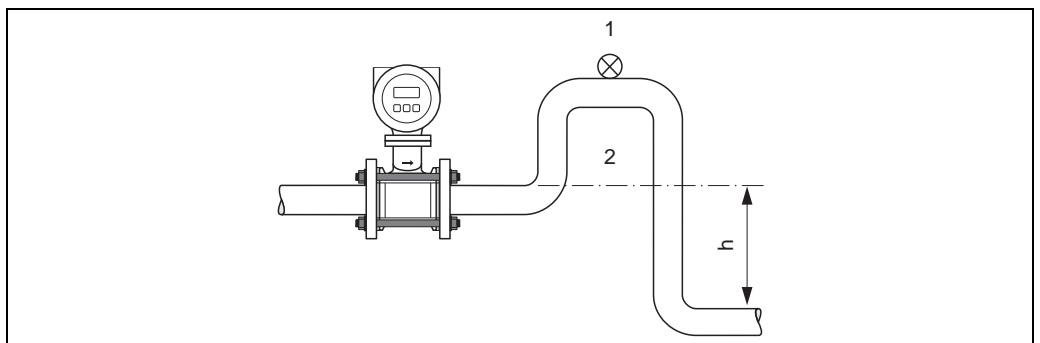


A0010707

Installation with partially filled pipes

Down pipes

Install a siphon or a vent valve downstream of the sensor in down pipes $h \geq 5$ m (16,4 ft). This precaution is to avoid low pressure and the consequent risk of damage to the measuring tube. This measure also prevents the system losing prime, which could cause air pockets. Information on the pressure tightness of the measuring tube → 17, section "Pressure tightness".



A0010708

Installation measures for down pipes

- 1 Vent valve
- 2 Pipe siphon
- h Length of the down pipe

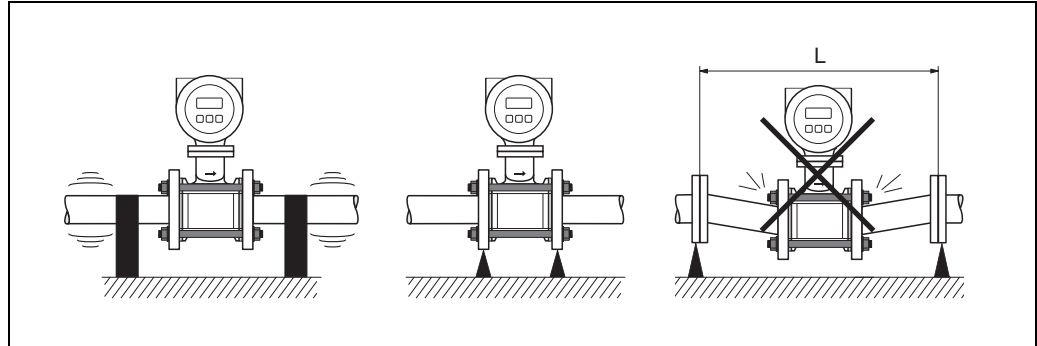
Vibrations

Secure the piping and the sensor if vibration is severe.



Caution!

If vibrations are too severe, we recommend the sensor and transmitter be mounted separately. Information on the permitted shock and vibration resistance → 17, section "Shock and vibration resistance".



A0010711

Measures to prevent vibration of the measuring device

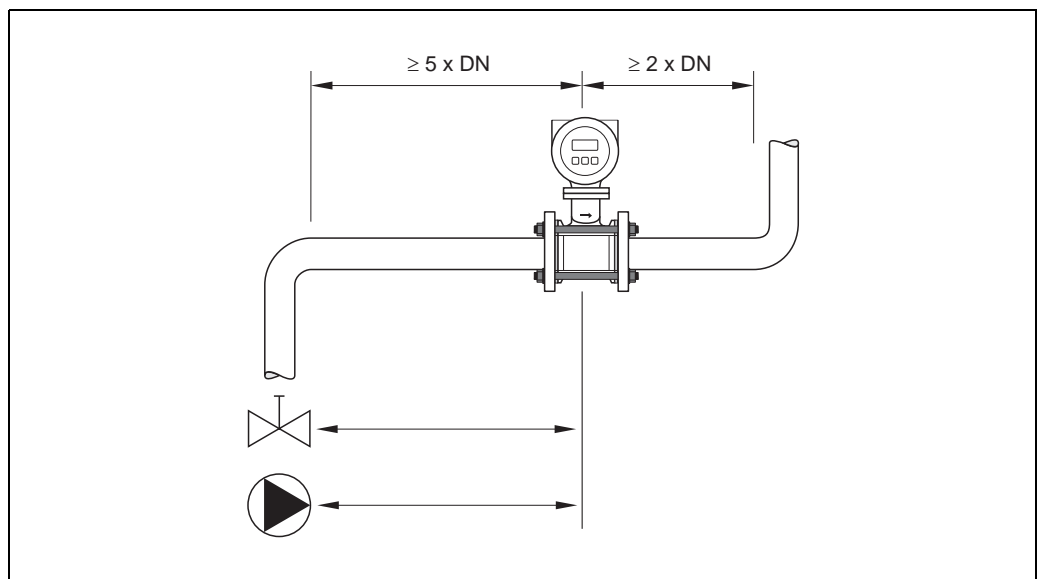
$L > 10 \text{ m (32.8 ft)}$

Inlet and outlet runs

If possible, install the sensor upstream from fittings such as valves, T-pieces, elbows etc.

The following inlet and outlet runs must be observed in order to meet accuracy specifications:

- Inlet run $\geq 5 \times \text{DN}$
- Outlet run $\geq 2 \times \text{DN}$



A0010712

Inlet and outlet run

Adapters

Suitable adapters to DIN EN 545 (double-flange reducers) can be used to install the sensor in larger-diameter pipes. The resultant increase in the rate of flow improves measuring accuracy with very slow-moving fluids. The nomogram shown here can be used to calculate the pressure loss caused by reducers and expanders.

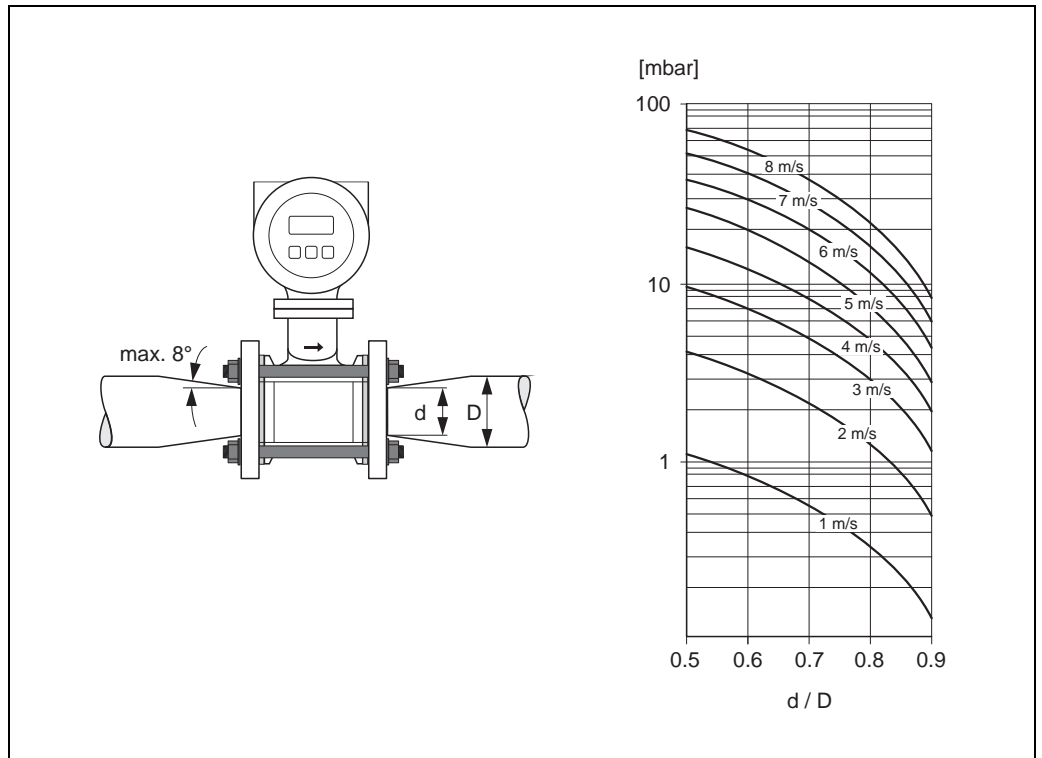


Note!

The nomogram only applies to liquids of viscosity similar to water.

The pressure loss is calculated as follows:

1. Calculate the diameter ratio: d/D
2. Read off the pressure loss (as a function of flow velocity (downstream from the reduction) and the d/D ratio from the nomogram)



Pressure loss due to adapters

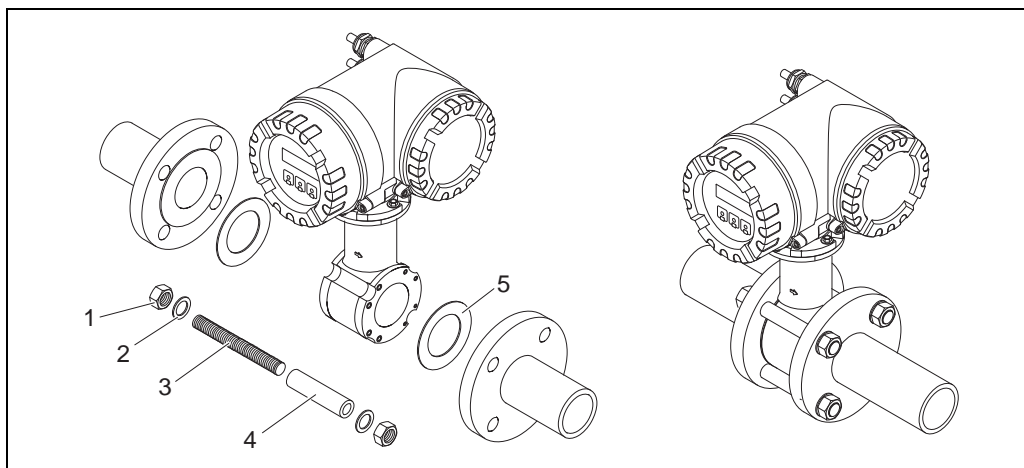
A0010713

Mounting kit

The device is centered using the recesses on the sensor. Centering sleeves are also provided depending on the flange standard or the diameter of the pitch circle.

Note!

A mounting kit consisting of mounting bolts, seals, nuts and washers can be ordered separately (see "Accessories").



Mounting the sensor

- | | |
|---|------------------|
| 1 | Nut |
| 2 | Washer |
| 3 | Mounting bolt |
| 4 | Centering sleeve |
| 5 | Seal |

Length of connecting cable

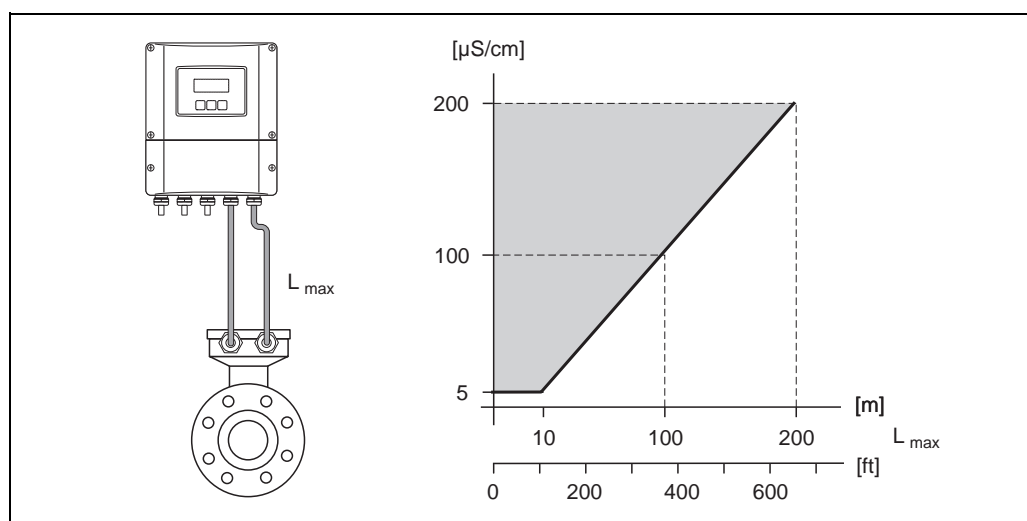
Note the following when mounting the remote version:

- Fix cable run or lay in armored conduit.

Note!

Cable movements can falsify the measuring signal especially in the case of low fluid conductivities.

- Route the cable well clear of electrical machines and switching elements.
- If necessary, establish potential equalization between the sensor and transmitter.
- The permitted cable length L_{max} is determined by the fluid conductivity. A minimum conductivity of 20 $\mu\text{S}/\text{cm}$ is needed for all demineralized water.



- Permitted length of connecting cable for remote version
- The area shaded gray marks the permitted range
 - Length of connecting cable L_{max}
 - Fluid conductivity in $[\mu\text{S}/\text{cm}]$

Environment

Ambient temperature range

- Sensor: -20 to +60 °C (-4 to +140 °F)
- Transmitter: -20 to +60 °C (-4 to +140 °F)



Caution!

- The permitted temperature range of the measuring tube lining may not be undershot or overshot (→ 17, section "Medium temperature range").
- Install the device in a shady location. Avoid direct sunlight, particularly in warm climatic regions.
- The transmitter must be mounted separate from the sensor if both the ambient and fluid temperatures are high.

Storage temperature

- Sensor: -20 to +60 °C (-4 to +140 °F)
- Transmitter: -20 to +60 °C (-4 to +140 °F)



Caution!

- The measuring device must be protected against direct sunlight during storage in order to avoid unacceptably high surface temperatures.
- A storage location must be selected where moisture does not collect in the measuring device. This will help prevent fungus and bacteria infestation which can damage the liner.

Degree of protection

IP 67 (NEMA 4X) for transmitter and sensor

Shock and vibration resistance

Acceleration up to 2 g following IEC 600 68-2-6

Electromagnetic compatibility (EMC)

- As per IEC/EN 61326 and NAMUR Recommendation NE 21
- Emission: to limit value for industry EN 55011

Process

Medium temperature range

0 to +60 °C (+32 to 140 °F)

Medium pressure range

- EN 1092-1 (DIN 2501) = PN 16
- ANSI B 16.5 = Class 150
- JIS B2220 = 10 K

Conductivity



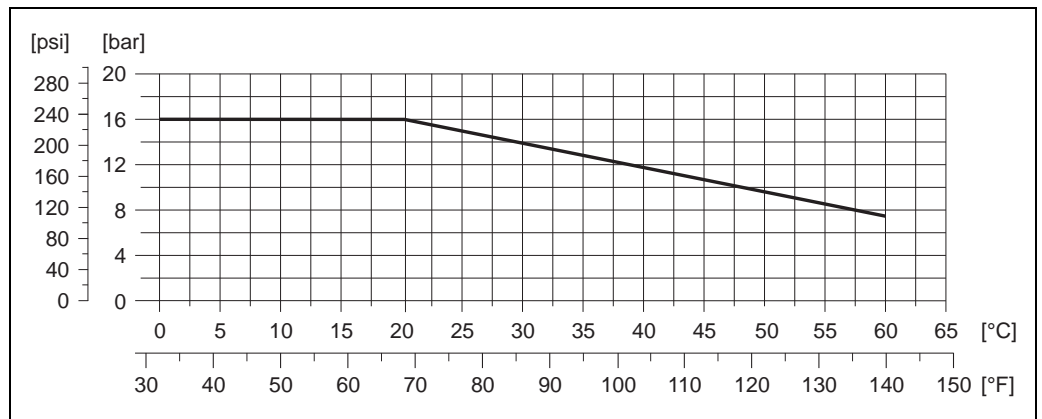
The minimum conductivity is $\geq 5 \mu\text{S}/\text{cm}$ ($\geq 20 \mu\text{S}/\text{cm}$ for demineralized water)

Note!

In the remote version, the necessary minimum conductivity also depends on the length of the connecting cable (→ 12, section "Length of connecting cable").

Pressure-temperature ratings

Permitted process pressure



A0010720

Pressure tightness

Measuring tube: 0 mbar abs (0 psi abs) with a fluid temperature of ≤ 60 °C (140 °F)

Limiting flow


The diameter of the pipe and the flow rate determine the nominal diameter of the sensor. The optimum flow velocity is between 2 to 3 m/s (6,56 to 9,84 ft/s). The velocity of flow (v), moreover, has to be matched to the physical properties of the fluid:

- $v < 2$ m/s (6,56 ft/s): for abrasive fluids such as potter's clay, lime milk, ore slurry etc.
- $v > 2$ m/s (6,56 ft/s): for fluids causing build-up such as wastewater sludges etc.

Flow characteristic values (SI units)					
Diameter		Recommended flow min./max. full scale value (v ~ 0.3 bzw. 10 m/s) [dm ³ /min]	Factory settings		
[mm]	[inch]		Full scale value current output (v ~ 2.5 m/s) [dm ³ /min]	Pulse value (~ 2 pulses/s) [dm ³]	Low flow cut off (v ~ 0.04 m/s) [dm ³ /min]
25	1"	9 to 300	75	0.50	1
40	1 ½"	25 to 700	200	1.50	3
50	2"	35 to 1100	300	2.50	5
65	–	60 to 2000	500	5.00	8
80	3"	90 to 3000	750	5.00	12
100	4"	145 to 4700	1200	10.00	20

Flow characteristic values (US units)					
Diameter		Recommended flow min./max. full scale value (v ~ 0.3 bzw. 10 m/s) [gal/min]	Factory settings		
[inch]	[mm]		Full scale value current output (v ~ 2.5 m/s) [gal/min]	Pulse value (~ 2 pulses/s) [gal]	Low flow cut off (v ~ 0.04 m/s) [gal/min]
1"	25	2.5 to 80	18	0.20	0.25
1 ½"	40	7 to 190	50	0.50	0.75
2"	50	10 to 300	75	0.50	1.25
–	65	16 to 500	130	1.00	2.00
3"	80	24 to 800	200	2.00	2.50
4"	100	40 to 1250	300	2.00	4.00

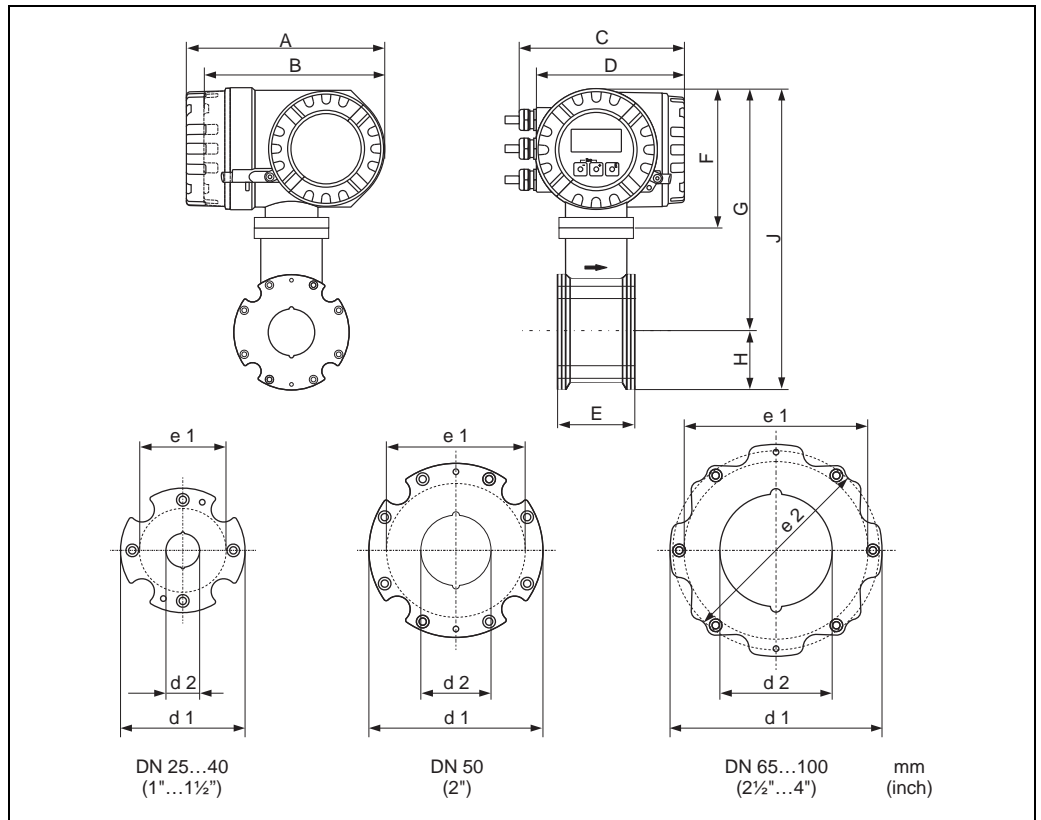
Pressure loss

- No pressure loss if the sensor is installed in a pipe with the same nominal diameter.
- Pressure losses for configurations incorporating adapters according to DIN EN 545
(→  15, section "Adapters")

Mechanical construction

Design, dimensions

Compact version



A0010745

Dimensions (SI units)

DN EN (DIN) / JIS	A	B	C	D	E	F	G	H	J	d 1	d 2	e 1 max. \varnothing seals
25	227	207	187	168	55	160	240	43	283	86	24	68
40					69		251	52	303	104	38	87
50					83		262	62	324	124	50	106
65					93		272	70	342	139	60	125
80					117		276	75	351	151	76	135
100					148		290	89	379	179	97	160

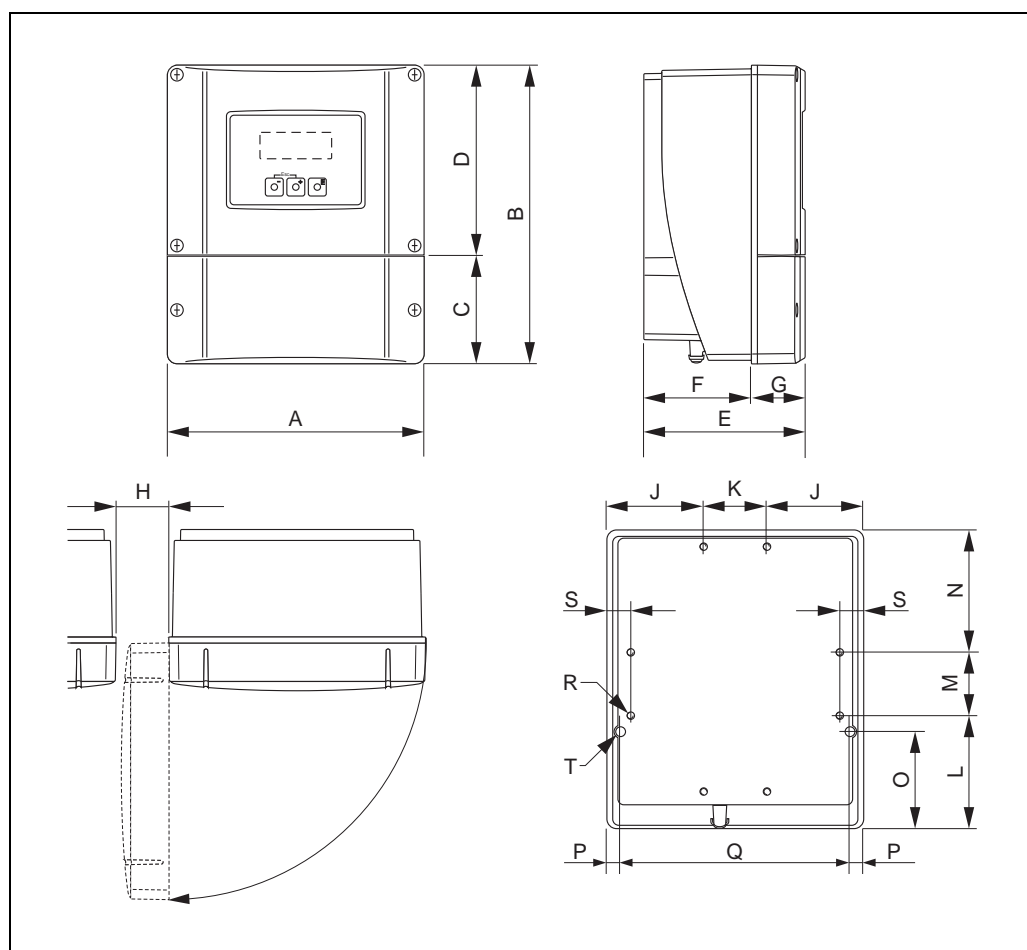
All dimensions [mm]

Dimensions (US units)

DN ANSI	A	B	C	D	E	F	G	H	J	d 1	d 2	e 1 max. \varnothing seals	e 2 max. \varnothing seals
1"	8.94	8.15	7.36	6.61	2.17	6.30	9.45	1.69	11.1	3.39	0.94	2.68	–
1 1/2"					2.72		9.88	2.05	11.9	4.11	1.50	3.43	–
2"					3.27		10.3	2.44	12.8	4.88	1.97	4.17	–
3"					4.61		10.9	2.95	13.8	5.94	2.99	–	5.43
4"					5.83		11.4	3.50	14.9	7.05	3.82	6.30	–

All dimensions in [inch]

Transmitter remote version



A0001150

Dimensions (SI units)

A	B	C	D	E	F	G	H	J	K
215	250	90.5	159.5	135	90	45	> 50	81	53
L	M	N	O	P	Q	R	S	T ¹⁾	
95	53	102	81.5	11.5	192	8 × M5	20	2 × Ø 6.5	

¹⁾ Securing screw for wall mounting: M6 (screw head max. 10.5 mm)

All dimensions in [mm]

Dimensions (US units)

A	B	C	D	E	F	G	H	J	K
8.46	9.84	3.56	6.27	5.31	3.54	1.77	> 1.97	3.18	2.08
L	M	N	O	P	Q	R	S	T ¹⁾	
3.74	2.08	4.01	3.20	0.45	7.55	8 × M5	0.79	2 × Ø 0.26	

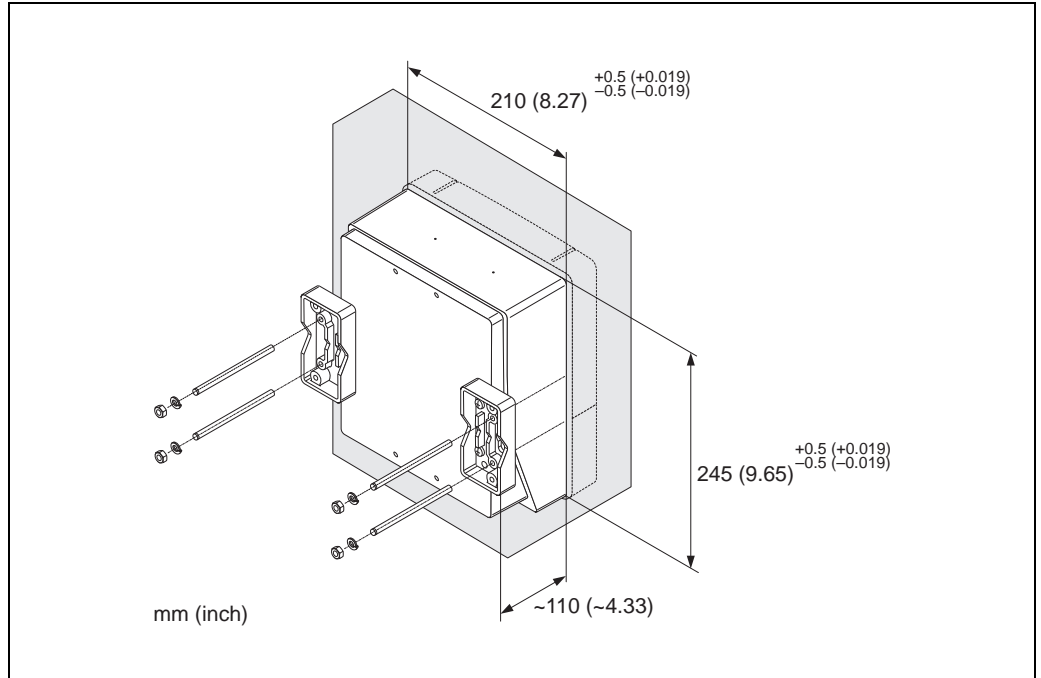
¹⁾ Securing screw for wall mounting: M6 (screw head max. 0.41")

All dimensions in [inch]

There is a separate mounting kit for the wall-mounted housing. It can be ordered from Endress+Hauser as an accessory. The following installation variants are possible:

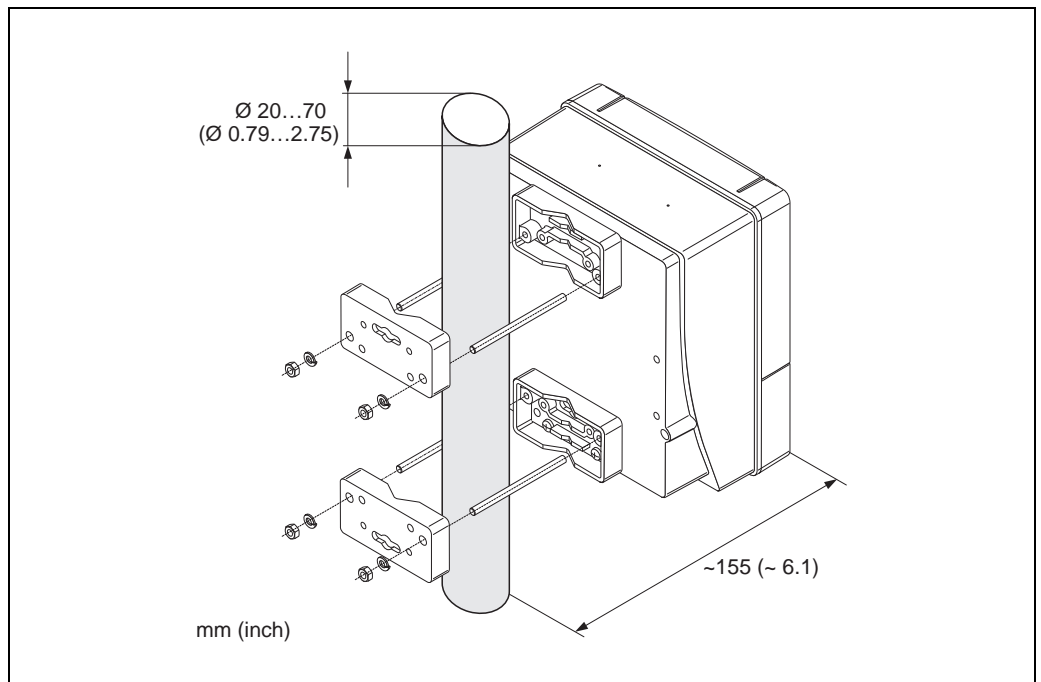
- Panel-mounted installation
- Pipe mounting

Panel-mounted installation



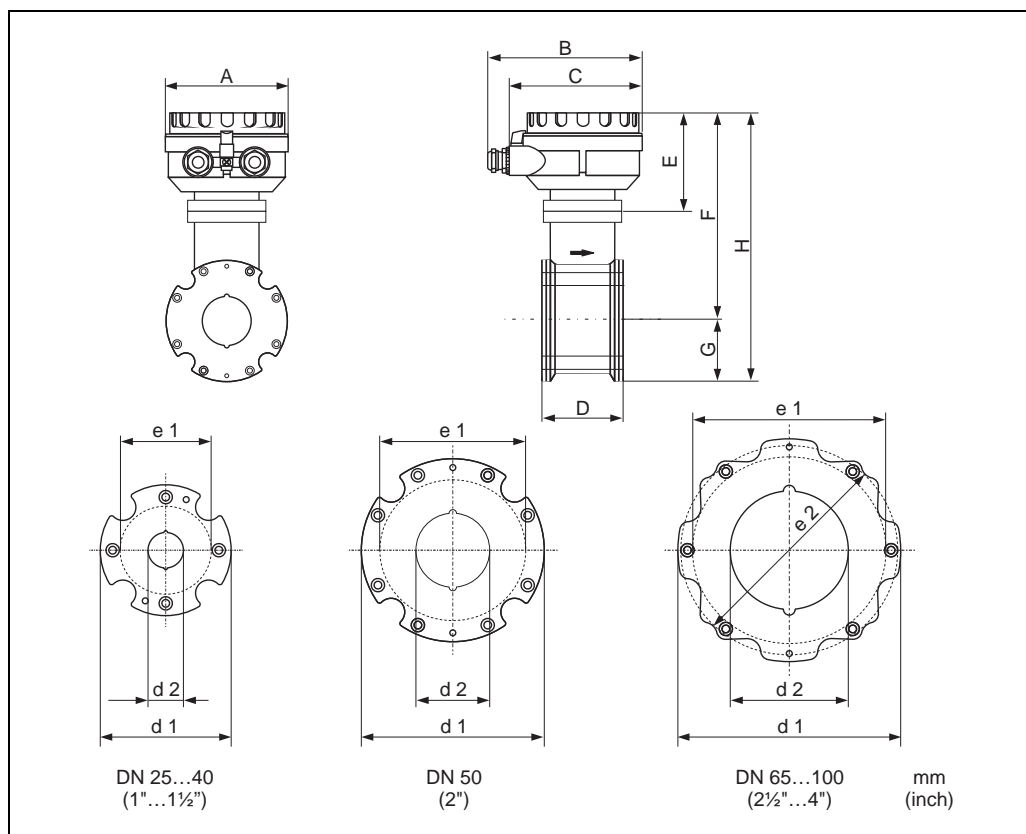
A0001131

Pipe mounting



A0001132

Sensor remote version



A0010717

Dimensions (SI units)

DN EN (DIN) / JIS	A	B	C	D	E	F	G	H	d 1	d 2	e 1 max. Ø seals
25	129	163	143	55	102	192	43	235	86	24	68
40				69		203	52	255	104	38	87
50				83		214	62	276	124	50	106
65				93		224	70	294	139	60	125
80				117		228	75	303	151	76	135
100				148		242	89	331	179	97	160

All dimensions in [mm]

Dimensions (US units)

DN ANSI	A	B	C	D	E	F	G	H	d 1	d 2	e 1 max. Ø seals	e 2
1"	5.08	6.42	5.63	2.17	4.02	7.56	1.69	9.25	3.39	0.94	2.68	–
1 ½"				2.72		7.99	2.05	10.0	4.11	1.50	3.43	–
2"				3.27		8.43	2.44	10.9	4.88	1.97	4.17	–
3"				4.61		8.98	2.95	11.9	5.94	2.99	–	5.43
4"				5.83		9.53	3.50	13.0	7.05	3.82	6.30	–

Alle dimensions in [inch]

Weight

Weight data without packaging material.

Diameter		Compact version						Remote version (without cable)			
		Total		Sensor		Transmitter		Sensor		Transmitter (wall-mount housing)	
[inch]	[mm]	[lbs]	[kg]	[lbs]	[kg]	[lbs]	[kg]	[lbs]	[kg]	[lbs]	[kg]
1"	25	9.9	4.5	2.4	1.1	7.5	3.4	5.5	2.5	13.2	6.0
1 ½"	40	11.2	5.1	3.7	1.7	7.5	3.4	6.8	3.1	13.2	6.0
2"	50	13.0	5.9	5.5	2.5	7.5	3.4	8.6	3.9	13.2	6.0
–	65	14.8	6.7	7.3	3.3	7.5	3.4	10.4	4.7	13.2	6.0
3"	80	17.0	7.7	9.5	4.3	7.5	3.4	12.6	5.7	13.2	6.0
4"	100	22.9	10.4	15.4	7.0	7.5	3.4	18.5	8.4	13.2	6.0

Measuring tube specifications Pressure rating EN (DIN)

Diameter		Pressure rating	Mounting bolts		Centering sleeves length		Measuring tube internal diameter		
[inch]	[mm]		[inch]	[mm]	[inch]	[mm]	[inch]	[mm]	
1"	25	EN (DIN) PN16	4 × M12 ×	5.71"	145	2.13"	54	0.94"	24
1 ½"	40		4 × M16 ×	6.69"	170	2.68"	68	1.50"	38
2"	50		4 × M16 ×	7.28"	185	3.23"	82	1.97"	50
–	65 ¹		4 × M16 ×	7.87"	200	3.62"	92	2.36"	60
–	65 ²		8 × M16 ×	7.87"	200	– *	– *	2.36"	60
3"	80		8 × M16 ×	8.86"	225	4.57"	116	2.99"	76
4"	100		8 × M16 ×	10.24"	260	5.79"	147	3.82"	97

¹ EN (DIN) flange: 4-hole → with centering sleeves

² EN (DIN) flange: 8-hole → without centering sleeves

* A centering sleeve is not required. The device is centered directly via the sensor housing.

Pressure rating JIS

Diameter		Pressure rating	Mounting bolts		Centering sleeves length		Measuring tube internal diameter		
[inch]	[mm]		[inch]	[mm]	[inch]	[mm]	[inch]	[mm]	
1"	25	JIS 10 K	4 × M16 ×	6.69"	170	2.13"	54	0.94"	24
1 ½"	40		4 × M16 ×	6.69"	170	2.68"	68	1.50"	38
2"	50		4 × M16 ×	7.28"	185	– *	– *	1.97"	50
–	65		4 × M16 ×	7.87"	200	– *	– *	2.36"	60
3"	80		8 × M16 ×	8.86"	225	– *	– *	2.99"	76
4"	100		8 × M16 ×	10.2"	260	– *	– *	3.82"	97

* A centering sleeve is not required. The device is centered directly via the sensor housing.

Pressure rating ANSI

Diameter		Pressure rating	Mounting bolts			Centering sleeves length		Measuring tube internal diameter	
[inch]	[mm]			[inch]	[mm]	[inch]	[mm]	[inch]	[mm]
1"	25	ANSI Class 150	4 × UNC 1/2" ×	5.70"	145	– *		0.94"	24
1 ½"	40		4 × UNC 1/2" ×	6.50"	165	– *		1.50"	38
2"	50		4 × UNC 5/8" ×	7.50"	190.5	– *		1.97"	50
3"	80		4 × UNC 5/8" ×	9.25"	235	– *		2.99"	76
4"	100		8 × UNC 5/8" ×	10.4"	264	5.79"	147	3.82"	97

* A centering sleeve is not required. The device is centered directly via the sensor housing.

Material

- Sensor housing: powder-coated die-cast aluminum
- Transmitter housing: powder-coated die-cast aluminum
- Measuring tube: polyamide, O-rings: EPDM
(Drinking water approvals: WRAS BS 6920, ACS, NSF 61, KTW/W270)
- Electrodes: 1.4435/316L
- Ground disks: 1.4301/304

Mounting bolts**Tensile strength**

- Galvanized steel mounting bolts: strength category 5.6 or 5.8
- Stainless steel mounting bolts: strength category A 2 – 70

Fitted electrodes

Measuring electrodes (2 pieces) made of 1.4435/316L

Process connections

- EN 1092-1 (DIN 2501)
- ANSI B16.5
- JIS B2220

Operability

Local operation

Display elements

- Liquid crystal display: illuminated, two-line, 16 characters per line
- Custom configurations for presenting different measured-value and status variables
- 2 totalizer

Operating elements

- Local operation via three keys
 - Application-specific Quick Setup menus for straightforward commissioning
-

Language groups

Language groups available for operation in different countries:

- Western Europe and America (WEA):
English, German, Spanish, Italian, French, Dutch and Portuguese
- Eastern Europe/Scandinavia (EES):
English, Russian, Polish, Norwegian, Finnish, Swedish, Czech
- Southeast Asia (SEA):
English, Japanese, Indonesian



Note!

You can change the language group via the operating program "FieldCare".

Remote operation

Operation via HART protocol, PROFIBUS DP, PROFIBUS PA and FieldCare

Certificates and approvals

CE approval	The measuring system is in conformity with the statutory requirements of the EC Directives. Endress+Hauser confirms successful testing of the device by affixing to it the CE mark.
C-tick symbol	The measuring system meets the EMC requirements of the "Australian Communications and Media Authority (ACMA)".
Ex approval	Information about currently available Ex versions (ATEX, FM, CSA, IECEx, NEPSI etc.) can be supplied by your Endress+Hauser Sales Center on request. All explosion protection data are given in a separate documentation which is available upon request.
Drinking water approval	<ul style="list-style-type: none"> ■ WRAS BS 6920 ■ ACS ■ NSF 61 ■ KTW/W270
Certification PROFIBUS DP/PA	<p>The flow device has successfully passed all the test procedures carried out and is certified and registered by the PNO (PROFIBUS User Organization). The device thus meets all the requirements of the following specifications:</p> <ul style="list-style-type: none"> ■ Certified to PROFIBUS, profile version 3.0 (device certification number: on request) ■ The device can also be operated with certified devices of other manufacturers (interoperability)
Other standards and guidelines	<ul style="list-style-type: none"> ■ EN 60529 Degrees of protection by housing (IP code) ■ EN 61010-1 Safety requirements for electrical equipment for measurement, control and laboratory use ■ IEC/EN 61326 "Emission in accordance with requirements for Class A". Electromagnetic compatibility (EMC requirements) ■ ANSI/ISA-S82.01 Safety Standard for Electrical and Electronic Test, Measuring, Controlling and related Equipment - General Requirements. Pollution degree 2, Installation Category II. ■ CAN/CSA-C22.2 No. 1010.1-92 Safety requirements for Electrical Equipment for Measurement and Control and Laboratory Use. Pollution degree 2, Installation Category II ■ NAMUR NE 21 Electromagnetic compatibility (EMC) of industrial process and laboratory control equipment. ■ NAMUR NE 43 Standardization of the signal level for the breakdown information of digital transmitters with analog output signal. ■ NAMUR NE 53 Software of field devices and signal-processing devices in digital electronics.

Ordering information

Your Endress+Hauser service organization can provide detailed ordering information and information on the order codes on request.

Accessories

Various accessories, which can be ordered separately from Endress+Hauser, are available for the transmitter and the sensor. Your Endress+Hauser service organization can provide detailed information on the specific order codes on request.

Device-specific accessories

Accessory	Description	Order code
Proline Promag 10 transmitter	Transmitter for replacement or storage. Use the order code to define the following specifications: <ul style="list-style-type: none"> ■ Approvals ■ Degree of protection/version ■ Cable for remote version ■ Cable entry ■ Display/power supply/operation ■ Software ■ Outputs/inputs 	10XXX - XXXXX * * * * * *

Measuring principle-specific accessories

Accessory	Description	Order code
Mounting kit	Consisting of: <ul style="list-style-type: none"> ■ Mounting bolts ■ Nuts incl. washers ■ Flange seals ■ Centering sleeves (if required for the flange) 	DKD** - **
Seal set	Consisting of two flange seals	DK5DD - ***
Mounting set for remote version, aluminum field housing	Mounting kit suitable for pipe and wall mounting.	DK5WM - B
Cable for remote version	Coil and signal cables, different lengths available	DK5CA - **
Process display RIA45	Multifunctional 1-channel display unit: <ul style="list-style-type: none"> ■ Universal input ■ Transmitter power supply ■ Limit relay ■ Analog output 	RIA45 - *****
Process display RIA251	Digital display device for looping into the 4 to 20 mA current loop.	RIA251 - **
Field display unit RIA16	Digital field display device for looping into the 4 to 20 mA current loop.	RIA16 - ***
Memograph M graphic display recorder	The Memograph M graphic display recorder provides information on all the relevant process variables. Measured values are recorded correctly, limit values are monitored and measuring points analyzed. The data are stored in the 256 MB internal memory and also on a DSD card or USB stick. Memograph M boasts a modular design, intuitive operation and a comprehensive security concept. The ReadWin® 2000 PC software is part of the standard package and is used for configuring, visualizing and archiving the data captured. The mathematics channels which are optionally available enable continuous monitoring of specific power consumption, boiler efficiency and other parameters which are important for efficient energy management.	RSG40 - *****
Application Manager RMM621	Electronic recording, display, balancing, control, saving and event and alarm monitoring of analog and digital input signals. Values and conditions determined are output by means of analog and digital output signals. Remote transmission of alarms, input values and calculated values using a PSTN or GSM modem.	RMM621 - *****

Communication-specific accessories

Accessory	Description	Order code
HART Communicator Field Xpert handheld terminal	Handheld terminal for remote configuration and for obtaining measured values via the HART current output (4 to 20 mA) and FOUNDATION Fieldbus. Contact your Endress+Hauser representative for more information.	SFX100 - *****
Fieldgate FXA320	Gateway for remote interrogation of HART sensors and actuators via Web browser: <ul style="list-style-type: none"> ■ 2-channel analog input (4 to 20 mA) ■ 4 binary inputs with event counter function and frequency measurement ■ Communication via modem, Ethernet or GSM ■ Visualization via Internet/Intranet in Web browser and/or WAP cellular phone ■ Limit value monitoring with alarm by e-mail or SMS ■ Synchronized time stamping of all measured values. 	FXA320 - ****
Fieldgate FXA520	Gateway for remote interrogation of HART sensors and actuators via Web browser: <ul style="list-style-type: none"> ■ Web server for remote monitoring of up to 30 measuring points ■ Intrinsically safe version [Ex ia]IIC for applications in hazardous areas ■ Communication via modem, Ethernet or GSM ■ Visualization via Internet/Intranet in Web browser and/or WAP cellular phone ■ Limit value monitoring with alarm by e-mail or SMS ■ Synchronized time stamping of all measured values ■ Remote diagnosis and remote configuration of connected HART devices 	FXA520 - ****
Fieldgate FXA720	Gateway for remote interrogation of PROFIBUS sensors and actuators via Web browser: <ul style="list-style-type: none"> ■ Web server for remote monitoring of up to 30 measuring points ■ Intrinsically safe version [Ex ia]IIC for applications in hazardous areas ■ Communication via modem, Ethernet or GSM ■ Visualization via Internet/Intranet in Web browser and/or WAP cellular phone ■ Limit value monitoring with alarm by e-mail or SMS ■ Synchronized time stamping of all measured values ■ Remote diagnosis and remote configuration of connected HART devices 	FXA720 - ****

Service-specific accessories

Accessory	Description	Order code
Applicator	Software for selecting and planning flowmeters. The Applicator software can be downloaded from the Internet or ordered on CD-ROM for installation on a local PC. Contact your Endress+Hauser representative for more information.	DXA80 - *
Fieldcheck	Tester/simulator for testing flowmeters in the field. When used in conjunction with the "FieldCare" software package, test results can be imported into a database, printed out and used for official certification. Contact your Endress+Hauser representative for more information.	50098801
FieldCare	FieldCare is Endress+Hauser's FDT-based asset management tool. It can configure all intelligent field units in your system and helps you manage them. By using status information, it is also a simple but effective way of checking their status and condition.	See the product page on the Endress+Hauser Web site: www.endress.com
FXA193	Service interface from the device to the PC for operation via FieldCare.	FXA193 - *

Documentation

- Flow measuring technology (FA005D/06/EN)
- Operating Instructions Promag 50 (BA00046D/06/EN, BA00049D/06/EN)
- Operating Instructions Promag 50 PROFIBUS DP/PA (BA00055D/06/EN, BA00056D/06/EN)

Registered trademarks

HART®

Registered trademark of the HART Communication Foundation, Austin, USA

PROFIBUS®

Registered trademark of the PROFIBUS User Organization, Karlsruhe, Germany

HistoROM™, S-DAT®, Fieldcheck®, FieldCare®, Field Xpert™, Applicator®

Registered or registration-pending trademarks of Endress+Hauser Flowtec AG, Reinach, CH

Instruments International

Endress+Hauser
Instruments International AG
Kaegenstrasse 2
4153 Reinach
Switzerland

Tel.+41 61 715 81 00
Fax+41 61 715 25 00
www.endress.com
info@ii.endress.com

Endress+Hauser 
People for Process Automation