



Level



Pressure



Flow



Temperature



Liquid  
Analysis



Registration



Systems  
Components



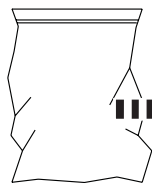
Services



Solutions

## Special documentation

# Mounting bracket to pipes for FHX50

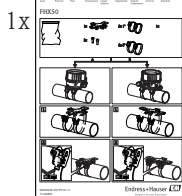


1x

2x

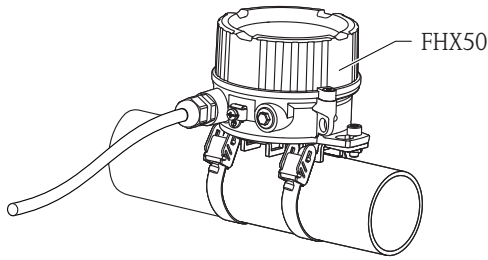
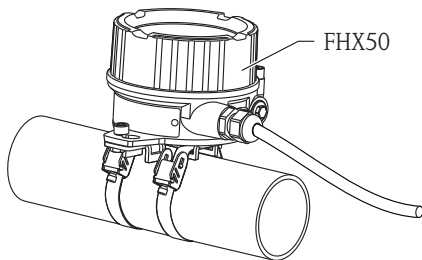
2x 1"

2x 2"

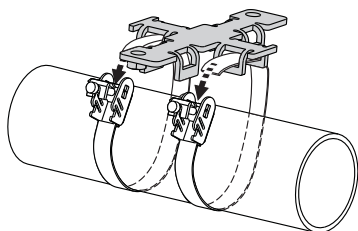


A

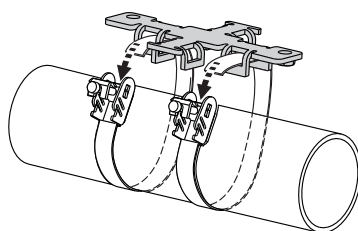
B



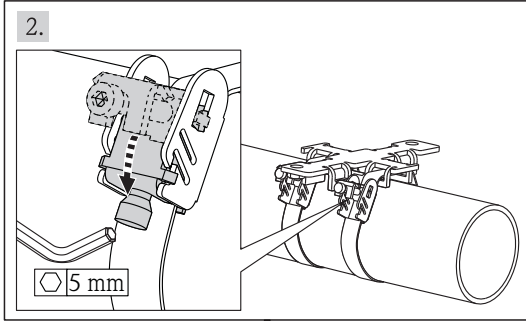
1.



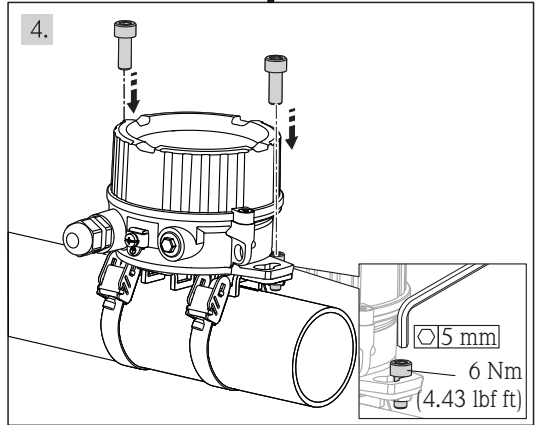
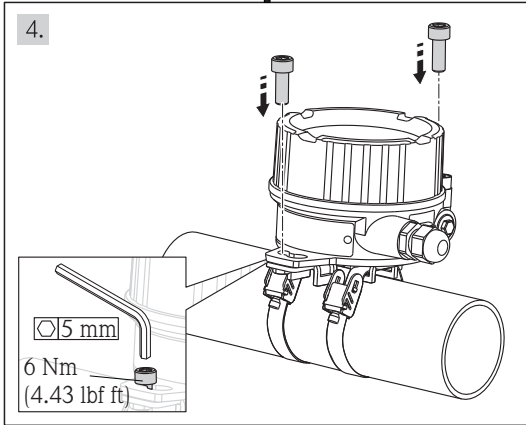
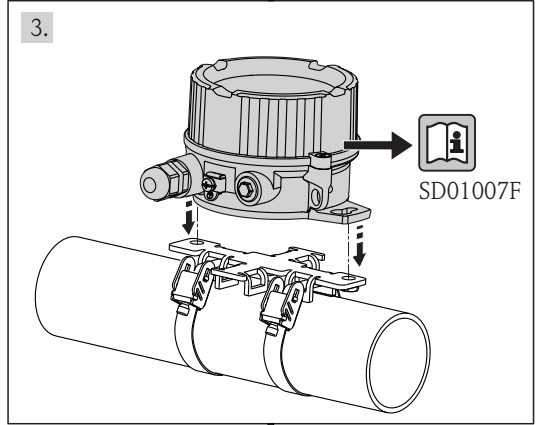
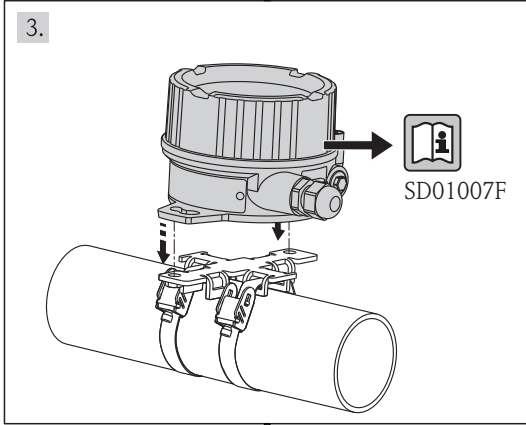
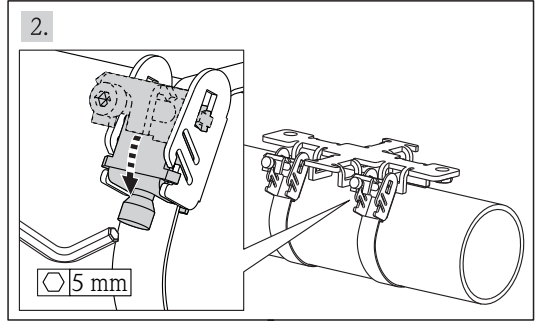
1.



A ↓



B ↓



[www.endress.com/worldwide](http://www.endress.com/worldwide)

SD00334F/00/YY/01.11



71142807

Endress+Hauser

People for Process Automation