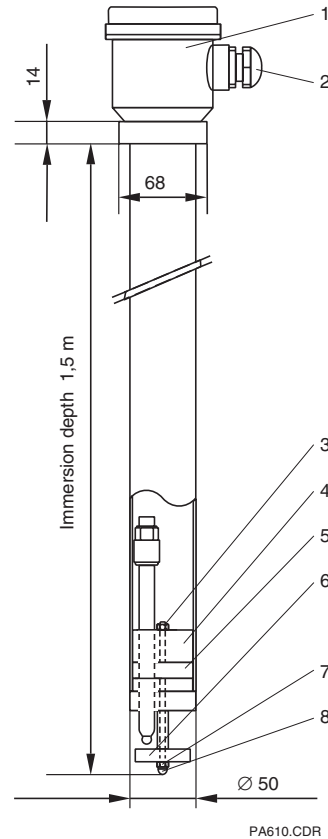


# Assembly for pH/Redox measurement CPA 610

## Immersion assembly for installation in open tanks with three electrode positions



- 1 Assembly head
- 2 Pg 16 - cable gland, reduced
- 3 PM connection
- 4 Electrode mounting plate with 3 positions
- 5 Rubber sealing plate
- 6 Fixing plate (turn this plate to lock the electrode mounting plate in the immersion tube)
- 7 PM stainless steel 1.4571
- 8 Cap nut stainless steel 1.4571

### Areas of application

The CPA 610 immersion assembly is an electrode holder constructed for easy handling. It can be installed in open channels, basins or tanks.

Typical areas of application are sewage treatment plants: incoming sewage and effluent, effluent treatment stations and neutralization basins. Three electrode mounting positions permit simultaneous pH and Redox measurement.

### Benefits at a glance

- Simple electrode installation and replacement due to rubber sealing plate with central screwed pinch joint - no individual electrode mounting plate is fixed in place by the rubber sealing plate in immersion tube
- Holds up to three 120 mm-standard electrodes
- Pg cable gland
- Standard length of 1500 mm
- Material: PVC
- Attachment by means of snap clamps (optional)



# Technical data

## General data

Manufacturer	Endress+Hauser
Designation	CPA 610

## Material in contact with medium

Immersion tube	PVC
Electrode mounting plate	PVC
Sealing plate / o-rings	rubber / EPDM
Potential matching pin	stainless steel 1.4571
Cap nut	stainless steel 1.4571

## Material not in contact with medium

Assembly head	PETB
---------------	------

## Fastening devices (optional)

Snap clamps (bore Ø 6)	PE
Operating pressure	0,6 bar
Operating temperature	50 °C
Immersion depth	1500 mm
Cross section required for installation	DN 50
Cable gland	Pg 13,5
Weight	2 kg

# Accessories

## Electrodes

pH- or Redox-electrodes from following families:

Orbisint	CPS 11/12/13
Ceratex	CPS 31
Ceraliquid	CPS 41/42/43
Single electrodes	CPS 64/65

## Suspension bracket

Material:  
Clamp: V4A 1.4571  
Supporting ring: PVC  
Order number: 50052702

## Connecting cable

- CPK 1 (SMK)  
for connection of a combined pH or redox electrode
- CPK 2 (PMK)  
for connection of a combined pH electrode, combined redox electrode and temperature sensor
- CPK 7  
for connection of a combined pH electrode with an integrated Pt 100 temperature sensor

# How to order

<b>Armatur CPA 610</b>	
Tauchrohrlänge A Tauchrohrlänge 1500 mm	
↓	
CPA 610-	vollständiger Bestellcode

**Endress+Hauser GmbH+Co.**  
**- Instruments International -**  
P.O. Box 2222  
D-79574 Weil am Rhein  
Tel. (07621) 975 - 02  
Fax (07621) 975345

**Endress + Hauser**  
Nothing beats know-how

