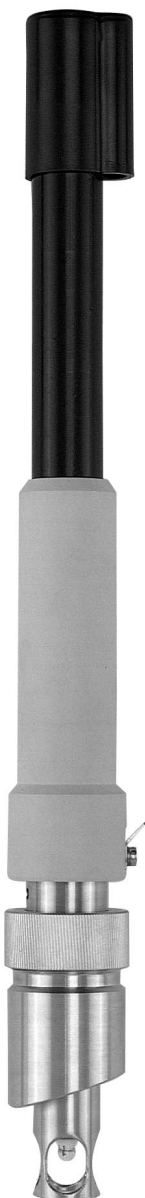


Process Assembly for pH/Redox Measurement *proffit CPA 440*

Process assembly for installation of one combined pH or redox electrode



Measurement of pH and redox value under process conditions using glass electrodes requires assembly systems of the highest quality and reliability. The Proffit process assemblies ensure a maximum electrode lifetime, reduced maintenance effort and a reliable and precise measurement even under high pressures and temperatures.

Areas of application

- The Proffit CPA 440 is a robust process assembly for a single combined pH or redox electrode with a shaft length of 225 mm.
- The Proffit CPA 440 can be mounted directly in pipelines, tanks or containers.

Benefits at a glance

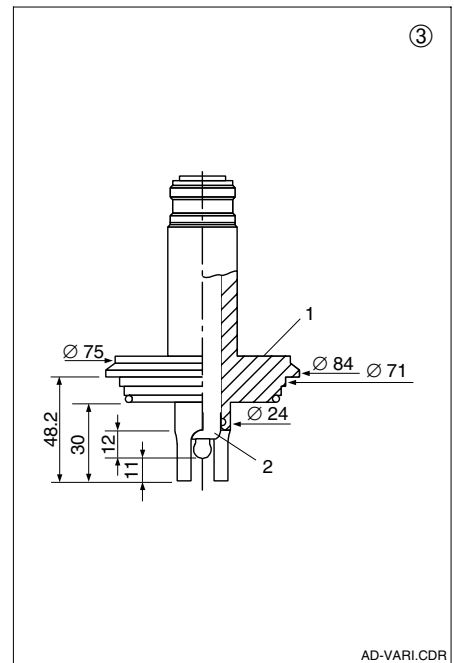
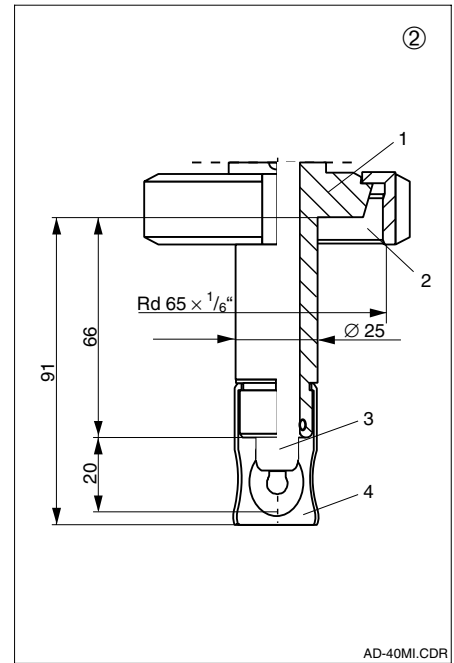
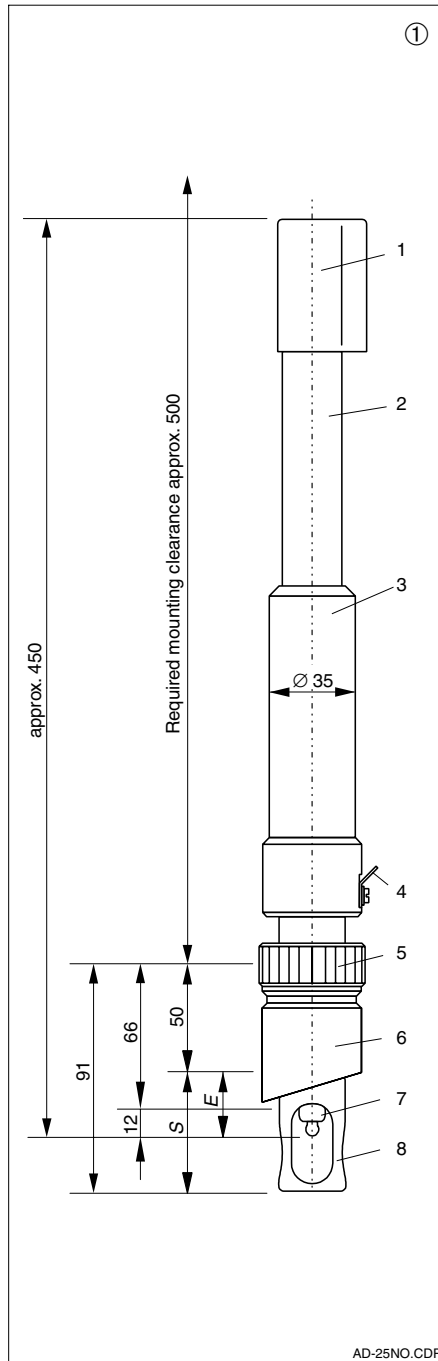
- Installation of a gel-filled combined pH/redox electrode with a shaft length of 225 mm
- Electrode installation via a Pg 13.5 thread
- Available in two different materials:
 - PVC
 - Stainless steel 1.4571 (SS 316Ti)
- Various types of mounting possible:
 - Built-in adapter DN 25
 - Dairy fitting DN 40
 - Tri-Clamp 2"
 - Varivent adapter
- Max. permissible pressure 6 bar (20 °C), max. temperature 130 °C (unpressurised)
- Splash protection cover protects the cables.

Dimensions and mounting versions

- ① Mounting version:
Adapter DN 25
- 1 Splash protection cover with cable entry
- 2 Protection sleeve
- 3 Shaft
- 4 PM connection
- 5 Union nut G 1 1/4
- 6 Welding socket, oblique $\varnothing 45$
- 7 Electrode, shaft length 225 mm
- 8 Protection guard

- ② Mounting version:
Dairy fitting DN 40
- 1 Conical socket
- 2 Coupling nut F 40, DIN 11851
- 3 Electrode
- 4 Protection guard

- ③ Mounting version:
Varivent adapter
- 1 Varivent connection
- 2 Electrode, shaft length 225 mm



Mounting depths of the assemblies Probit CPA 440

Material / mounting version		E [mm]	S [mm]
PVC	Built-in adapter DN 25	28	41
1.4571 (SS 316Ti)	Built-in adapter DN 25	28	41
1.4571 (SS 316Ti)	Dairy fitting DN 40	78	91
1.4571 (SS 316Ti)	Varivent adapter DN 40 ... 125	37.2	48.2

Mounting depths of the Probit CPA 440:
E = Lower surface of built-in adapter to top of electrode
S = Lower surface of built-in adapter to lower surface of protection guard

Technical data

General data

Manufacturer	Endress+Hauser GmbH+Co.
Product designation	Probit CPA 440

Materials in contact with medium

Electrode holder	PVC, stainless steel 1.4571 (SS 316Ti)
O-rings	EPDM, Viton
Shaft material	Noryl
Union nut (built-in adapter version)	stainless steel 1.4571 (SS 316Ti)

Mounting versions

without adapter	PVC, stainless steel 1.4571 (SS 316Ti)
Built-in adapter, straight or oblique	PVC, stainless steel 1.4571 (SS 316Ti)
Dairy fitting DN 40	stainless steel 1.4571 (SS 316Ti)
Tri-Clamp 2"	stainless steel 1.4571 (SS 316Ti)
Varivent adapter DN 40 ... 125	stainless steel 1.4571 (SS 316Ti)

Operating pressure and temperature

PVC version	6 bar at 20 °C, 0 bar at 50 °C
Stainless steel version	6 bar at 90 °C, 0 bar at 130 °C

Measures and weight

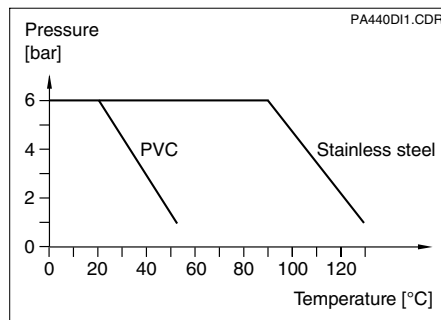
Electrode installation	via Pg 13.5 thread
Shaft length	225 mm
Shaft diameter	12 mm
Weight	approx. 0.5 ... 1 kg

Supplementary documentation

Technical Information Orbisint CPS 11/12/13	order no. 50054649
---	--------------------

Subject to modifications.

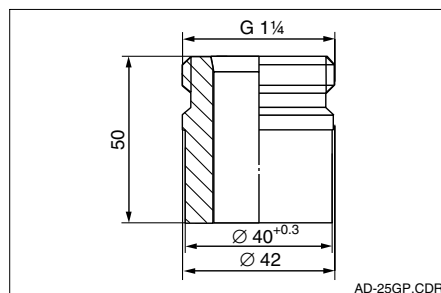
Pressure and temperature stability of the Probit CPA 440



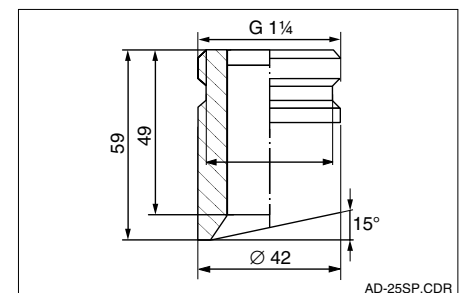
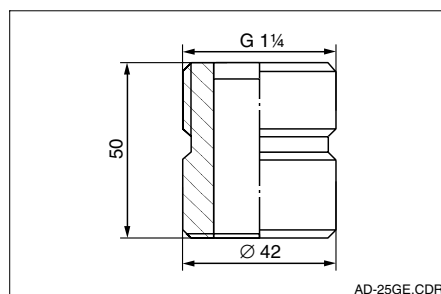
Depending on the material in contact with the medium, the Probit CPA 440 can be used under pressures of up to 6 bar (temperatures up to 90 °C) with the stainless steel version, or 6 bar pressure (20 °C) with the PVC version.

Accessories

Built-in adapter, PVC version, straight and oblique



Built-in adapter, stainless steel version



- Built-in adapter DN 25, straight or oblique, PVC, PVDF or SS 316Ti
- Dummy plug DN 25, SS 316Ti
- Protection guard
 - PVC, screw-on
 - SS 316Ti, screw-on or plug-on
- Combined pH or redox electrode Orbisint CPS 11/12
- Connection cable
 - CPK 1 for combined pH/redox electrode
 - CPK 7 for combined pH/redox electrode with integrated Pt 100

How to order

pH/redox process assembly Probit CPA 440

O-ring / body / protection guard

- 11 EPDM / PVC / screw-on (only A, B, C)
- 13 EPDM / 1.4571 (SS 316Ti) / screw-on (not B, C)
- 14 EPDM / 1.4571 (SS 316Ti) / plug-on (not B, C)
- 21 Viton / PVC / screw-on (only A, B, C)
- 23 Viton / 1.4571 (SS 316Ti) / screw-on (not B, C)
- 24 Viton / 1.4571 (SS 316Ti) / plug-on (not B, C)

Mounting version

- A without adapter
- B Adapter PVC / DN 25, G 1¼ / straight
- C Adapter PVC / DN 25, G 1¼ / oblique
- F Adapter 1.4571 (SS 316Ti) / DN 25, G 1¼ / straight
- G Adapter 1.4571 (SS 316Ti) / DN 25, G 1¼ / oblique
- I Dairy fitting 1.4571 (SS 316Ti) / DN 40 (only version 14)
- K Tri-Clamp 1.4571 (SS 316Ti) / 2" (protection guard plug-on)
- L Varivent adapter 1.4571 (SS 316Ti) (only version 14)

CPA 440-

complete order code

Endress+Hauser GmbH+Co.
- Instruments International -

P.O. Box 2222
D-79574 Weil am Rhein
Tel. (07621) 975 - 02
Fax (07621) 975345

Endress + Hauser
Nothing beats know-how

