

Supplementary documentation for the Operating Instructions

Proline Promag W 400, W 800

Supplementary information to following modifications:

Addition of short installation lengths DN 350 to 2000 (14 to 78")

Addition of long installation lengths IP68 DN 350 to 2000 (14 to 78")

Addition of pressure rating PN 16 DN 350 to 2000 (14 to 78")

In this documentation you will find the supplementary information for the following documentations:

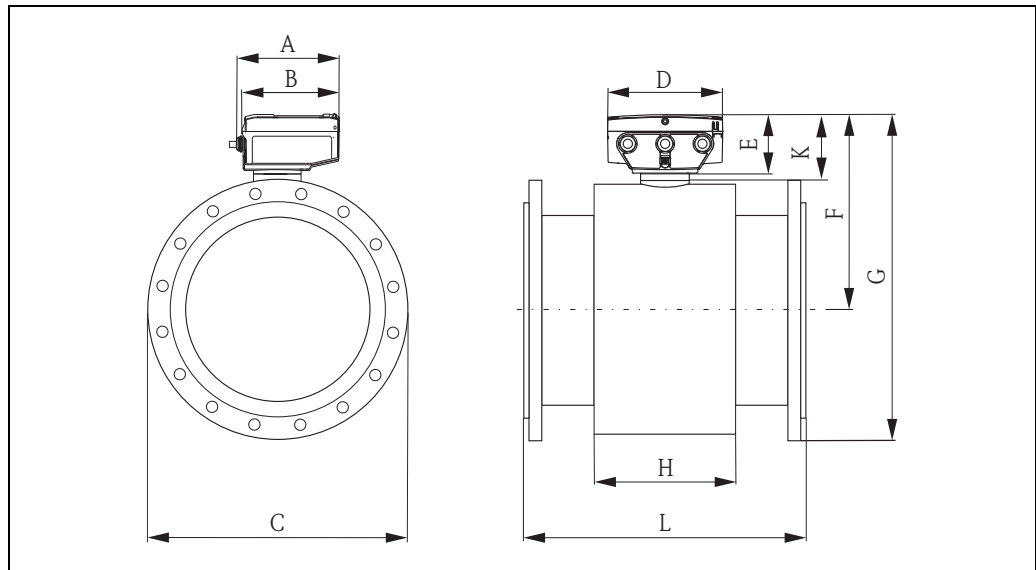
- BA01063D: Proline Promag W 400 HART
- BA00148D: Proline Promag W 800

Mechanical construction

Design, dimensions

Compact version

Order code for "Design", option A "Insertion length short" with DN 350 to 2000 (14 to 78")



A0017153

Dimensions in SI units
(Promag W 800: Only DN 350 to 600)

DN [mm]	L [mm]	A [mm]	B [mm]	D [mm]	E [mm]	F [mm]	H [mm]	K [mm]
350	550	216	189	165	84*	360*	290	119*
375	600	216	189	165	84*	386*	290	119*
400	600	216	189	165	84*	386*	290	119*
450	600	216	189	165	84*	414*	290	119*
500	600	216	189	165	84*	439*	290	119*
600	600	216	189	165	84*	480*	290	119*
700	700	216	189	165	84	545	424	119
750	750	216	189	165	84	582	454	119
800	800	216	189	165	84	601	500	119
900	900	216	189	165	84	651	580	119
1000	1000	216	189	165	84	701	660	119
1050	1050	216	189	165	84	737	755	119
1200	1200	216	189	165	84	815	828	119
1350	1350	216	189	165	84	927	1008	119
1400	1400	216	189	165	84	927	1008	119
1500	1500	216	189	165	84	1027	1147	119
1600	1600	216	189	165	84	1027	1147	119
1650	1650	216	189	165	84	1078	1284	119
1800	1800	216	189	165	84	1135	1379	119
2000	2000	216	189	165	84	1246	1569	119

* + 73 mm for Promag W 800

DN [mm]	Dimension C					Dimension G				
	EN (DIN)			ASME	AS	EN (DIN)			ASME	AS
	PN 6 [mm]	PN 10 [mm]	PN 16 [mm]	AWWA [mm]	[mm]	PN 6 [mm]	PN 10 [mm]	PN 16 [mm]	AWWA [mm]	[mm]
350	490	505	520	533	525	605*	612*	620*	627*	662*
375	–	–	–	–	550	–	–	–	–	661*
400	540	565	580	597	580	656*	668*	676*	684*	676*
450	595	615	640	635	640	711*	721*	734*	731*	734*
500	645	670	715	699	705	761*	774*	797*	788*	791*
600	755	780	840	813	825	857*	870*	900*	886*	892*
700	860	895	910	927	910	975	992	1000	1008	1000
750	–	–	–	984	995	–	–	–	1074	1080
800	975	1015	1025	1060	1060	1089	1109	1114	1131	1131
900	1075	1115	1125	1168	1175	1189	1209	1214	1235	1239
1000	1175	1230	1255	1289	1255	1289	1316	1329	1346	1329
1050	–	–	–	1346	–	–	–	–	1410	–
1200	1405	1455	1485	1511	1490	1518	1543	1558	1571	1560
1350	–	–	–	1683	–	–	–	–	1769	–
1400	1630	1675	1685	–	–	1742	1765	1770	–	–
1500	–	–	–	1854	–	–	–	–	1954	–
1600	1830	1915	1930	–	–	1942	1985	1993	–	–
1650	–	–	–	2032	–	–	–	–	2094	–
1800	2045	2115	2130	2197	–	2157	2192	2200	2233	–
2000	2265	2325	2345	2362	–	2378	2408	2418	2427	–

* + 73 mm for Promag W 800

*Dimensions in US units
(Promag W 800: Only DN 14 to 24")*

DN [in]	L [in]	A [in]	B [in]	D [in]	E [in]	F [in]	H [in]	K [in]
14	21.6	8.50	7.44	6.50	3.31*	14.2*	11.4	4.69*
15	23.6	8.50	7.44	6.50	3.31*	15.2*	11.4	4.69*
16	23.6	8.50	7.44	6.50	3.31*	15.2*	11.4	4.69*
18	23.6	8.50	7.44	6.50	3.31*	16.3*	11.4	4.69*
20	23.6	8.50	7.44	6.50	3.31*	17.3*	11.4	4.69*
24	23.6	8.50	7.44	6.50	3.31*	18.9*	11.4	4.69*
28	27.6	8.50	7.44	6.50	3.31	21.5	16.7	4.69
30	29.5	8.50	7.44	6.50	3.31	22.9	17.9	4.69
32	31.5	8.50	7.44	6.50	3.31	23.7	19.7	4.69
36	35.4	8.50	7.44	6.50	3.31	25.6	22.8	4.69
40	39.4	8.50	7.44	6.50	3.31	27.6	26.0	4.69
42	41.3	8.50	7.44	6.50	3.31	29.0	29.7	4.69
48	47.2	8.50	7.44	6.50	3.31	32.1	32.6	4.69
54	53.1	8.50	7.44	6.50	3.31	36.5	39.7	4.69
60	59.0	8.50	7.44	6.50	3.31	40.4	45.2	4.69
66	64.9	8.50	7.44	6.50	3.31	42.4	50.6	4.69
72	70.8	8.50	7.44	6.50	3.31	44.7	54.3	4.69
78	78.7	8.50	7.44	6.50	3.31	49.1	61.8	4.69

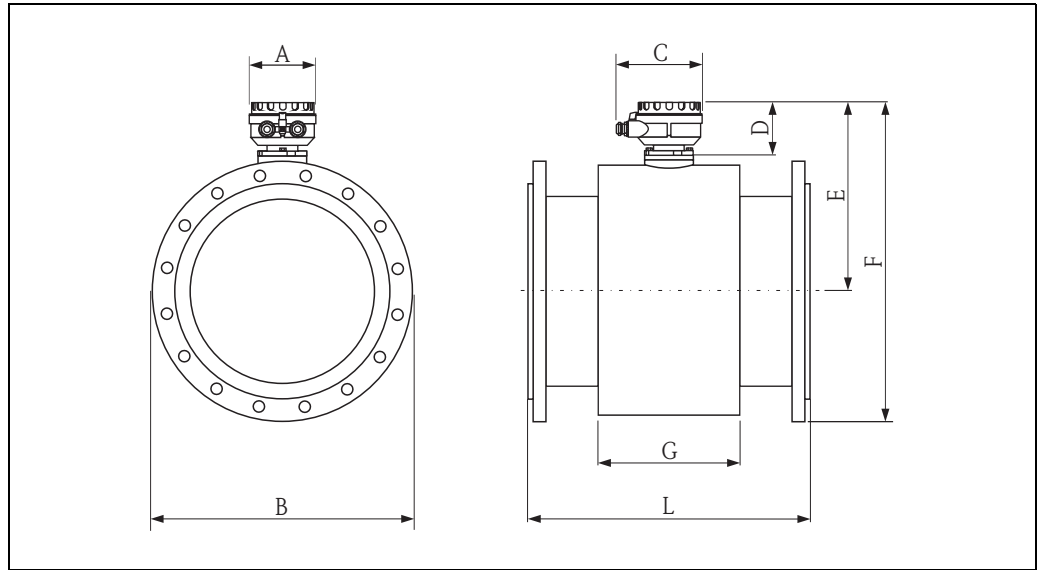
* + 2.87 in for Promag W 800

DN [in]	Dimension C					Dimension G				
	EN (DIN)			ASME	AS	EN (DIN)			ASME	AS
	PN 6 [in]	PN 10 [in]	PN 16 [in]	AWWA [in]	[in]	PN 6 [in]	PN 10 [in]	PN 16 [in]	AWWA [in]	[in]
14	19.3	19.9	20.5	21.0	20.7	23.8*	24.1*	24.4*	24.7*	24.5*
15	–	–	–	–	21.7	–	–	–	–	26.0*
16	21.3	22.2	22.8	23.5	22.8	25.8*	26.3*	26.6*	26.9*	26.6*
18	23.4	24.2	25.2	25.0	25.2	28.0*	28.4*	28.9*	28.8*	28.9*
20	25.4	26.4	28.1	27.5	27.8	30.0*	30.5*	31.4*	31.0*	31.1*
24	29.7	30.7	33.1	32.0	32.5	33.7*	34.3*	35.4*	34.9*	35.1*
28	33.9	35.2	35.8	36.5	35.8	38.4	39.1	39.4	39.7	39.4
30	–	–	–	38.7	39.2	–	–	–	42.3	42.5
32	38.4	40.0	40.4	41.7	41.7	42.9	43.7	43.9	44.5	44.5
36	42.3	43.9	44.3	46.0	46.3	46.8	47.6	47.8	48.6	48.8
40	46.3	48.4	49.4	50.7	49.4	50.7	51.8	52.3	53.0	52.3
42	–	–	–	53.0	–	–	–	–	55.5	–
48	55.3	57.3	58.5	59.5	58.7	59.8	60.7	61.3	61.9	61.4
54	–	–	–	66.3	–	–	–	–	69.6	–
60	–	–	–	73.0	–	–	–	–	76.9	–
66	–	–	–	80.0	–	–	–	–	82.5	–
72	80.5	83.3	83.9	86.5	–	84.9	86.3	86.6	87.9	–
78	89.2	91.5	92.3	93.0	–	93.6	94.8	95.2	95.6	–

* + 2.87 in for Promag W 800

Remote version sensor

Order code for "Design", option A "Insertion length short" with DN 350 to 2000 (14 to 78")



A0017284

Dimensions in SI units

(Promag W 800: Only DN 350 to 600)

DN [mm]	L [mm]	A [mm]	C [mm]	D [mm]	E [mm]	G [mm]
350	550	129	163	102	353	290
375	600	129	163	102	379	290
400	600	129	163	102	379	290
450	600	129	163	102	407	290
500	600	129	163	102	432	290
600	600	129	163	102	473	290
700	700	129	163	102	538	424
750	750	129	163	102	575	454
800	800	129	163	102	594	500
900	900	129	163	102	644	580
1000	1000	129	163	102	694	660
1050	1050	129	163	102	730	755
1200	1200	129	163	102	808	828
1350	1350	129	163	102	920	1008
1400	1400	129	163	102	920	1008
1500	1500	129	163	102	1020	1147
1600	1600	129	163	102	1020	1147
1650	1650	129	163	102	1071	1284
1800	1800	129	163	102	1128	1379
2000	2000	129	163	102	1239	1569

DN [mm]	Dimension B					Dimension F				
	EN (DIN)			ASME	AS	EN (DIN)			ASME	AS
	PN 6 [mm]	PN 10 [mm]	PN 16 [mm]	AWWA [mm]	[mm]	PN 6 [mm]	PN 10 [mm]	PN 16 [mm]	AWWA [mm]	[mm]
350	490	505	520	533	525	598	605	613	620	615
375	-	-	-	-	550	-	-	-	-	654
400	540	565	580	597	580	649	661	669	677	669
450	595	615	640	635	640	704	714	727	724	727

DN [mm]	Dimension B					Dimension F				
	EN (DIN)			ASME	AS	EN (DIN)			ASME	AS
	PN 6 [mm]	PN 10 [mm]	PN 16 [mm]	AWWA [mm]	[mm]	PN 6 [mm]	PN 10 [mm]	PN 16 [mm]	AWWA [mm]	[mm]
500	645	670	715	699	705	754	767	790	781	784
600	755	780	840	813	825	850	863	893	879	885
700	860	895	910	927	910	968	985	993	1001	993
750	–	–	–	984	995	–	–	–	1067	1073
800	975	1015	1025	1060	1060	1082	1102	1107	1124	1124
900	1075	1115	1125	1168	1175	1182	1202	1207	1228	1232
1000	1175	1230	1255	1289	1255	1282	1309	1322	1339	1322
1050	–	–	–	1346	–	–	–	–	1403	–
1200	1405	1455	1485	1511	1490	1511	1536	1551	1564	1553
1350	–	–	–	1683	–	–	–	–	1762	–
1400	1630	1675	1685	–	–	1735	1758	1763	–	–
1500	–	–	–	1854	–	–	–	–	1947	–
1600	1830	1915	1930	–	–	1935	1978	1987	–	–
1650	–	–	–	2032	–	–	–	–	2087	–
1800	2045	2115	2130	2197	–	2150	2185	2193	2226	–
2000	2265	2325	2345	2362	–	2371	2401	2411	2420	–

*Dimensions in US units
(Promag W 800: Only DN 14 to 24")*

DN [in]	L [in]	A [in]	C [in]	D [in]	E [in]	G [in]
14	21.6	5.08	6.42	4.02	13.9	11.4
15	23.6	5.08	6.42	4.02	14.9	11.4
16	23.6	5.08	6.42	4.02	14.9	11.4
18	23.6	5.08	6.42	4.02	16.0	11.4
20	23.6	5.08	6.42	4.02	17.0	11.4
24	23.6	5.08	6.42	4.02	18.6	11.4
28	27.6	5.08	6.42	4.02	21.4	16.7
30	29.5	5.08	6.42	4.02	22.8	17.9
32	31.5	5.08	6.42	4.02	23.6	19.7
36	35.4	5.08	6.42	4.02	25.6	22.8
40	39.4	5.08	6.42	4.02	27.5	26.0
42	41.3	5.08	6.42	4.02	28.9	29.7
48	47.2	5.08	6.42	4.02	32.0	32.6
54	53.1	5.08	6.42	4.02	36.0	39.6
60	59.0	5.08	6.42	4.02	40.2	45.2
66	64.9	5.08	6.42	4.02	42.1	50.6
72	70.8	5.08	6.42	4.02	44.4	54.2
78	78.7	5.08	6.42	4.02	48.8	61.8

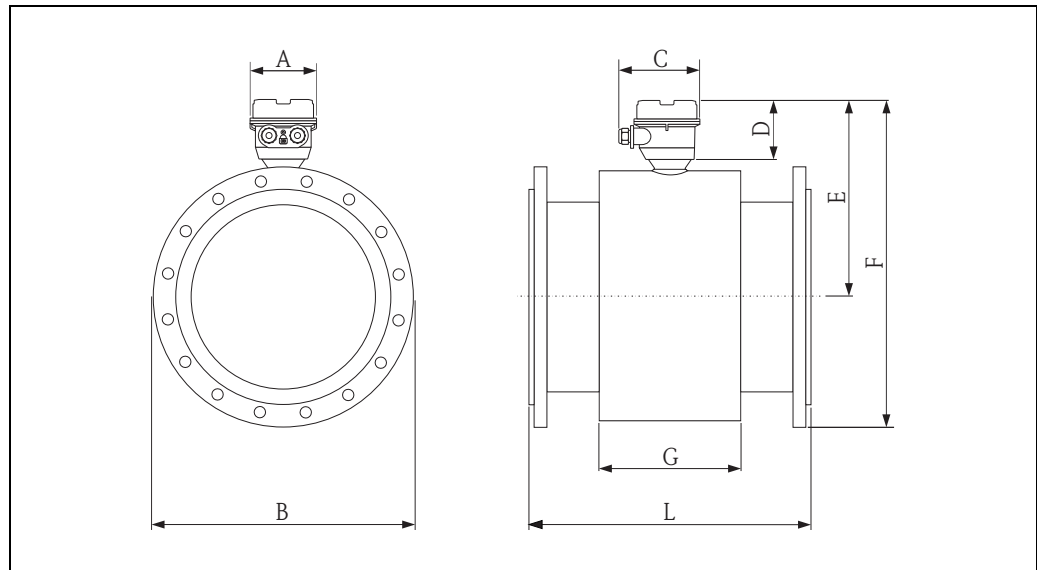
DN [in]	Dimension B					Dimension F				
	EN (DIN)			ASME	AS	EN (DIN)			ASME	AS
	PN 6 [in]	PN 10 [in]	PN 16 [in]	AWWA [in]	[in]	PN 6 [in]	PN 10 [in]	PN 16 [in]	AWWA [in]	[in]
14	19.3	19.9	20.5	21.0	20.7	23.5	23.8	24.1	24.4	24.2
15	–	–	–	–	21.7	–	–	–	–	25.7
16	21.3	22.2	22.8	23.5	22.8	25.6	26.0	26.3	26.7	26.3
18	23.4	24.2	25.2	25.0	25.2	27.7	28.1	28.6	28.5	28.6

DN [in]	Dimension B					Dimension F				
	EN (DIN)			ASME	AS	EN (DIN)			ASME	AS
	PN 6 [in]	PN 10 [in]	PN 16 [in]	AWWA [in]	[in]	PN 6 [in]	PN 10 [in]	PN 16 [in]	AWWA [in]	[in]
20	25.4	26.4	28.1	27.5	27.8	29.7	30.2	31.1	30.7	30.9
24	29.7	30.7	33.1	32.0	32.5	33.5	34.0	35.2	34.6	34.8
28	33.9	35.2	35.8	36.5	35.8	38.3	39.0	39.1	39.6	39.3
30	–	–	–	38.7	39.2	–	–	–	42.2	42.2
32	38.4	40.0	40.4	41.7	41.7	42.8	43.6	43.6	44.4	44.4
36	42.3	43.9	44.3	46.0	46.3	46.7	47.5	47.5	48.5	48.7
40	46.3	48.4	49.4	50.7	49.4	50.6	51.7	52.0	52.9	52.2
42	–	–	–	53.0	–	–	–	–	55.4	–
48	55.3	57.3	58.5	59.5	58.7	59.7	60.6	61.1	61.8	61.3
54	–	–	–	66.3	–	–	–	–	69.4	–
60	–	–	–	73.0	–	–	–	–	76.7	–
66	–	–	–	80.0	–	–	–	–	82.2	–
72	80.5	83.3	83.9	86.5	–	84.7	86.05	86.3	87.7	–
78	89.2	91.5	92.3	93.0	–	93.4	94.5	94.9	95.3	–

Remote version sensor

Order code for "Design", option A "Insertion length short" with DN 350 to 2000 (14 to 78")

Order code for "Sensor option", option CA to CE "Corrosion protection" with DN 350 to 2000 (14 to 78")



A0018158

Dimensions in SI units
(Promag W 800: Only DN 350 to 600)

DN [mm]	L [mm]	A [mm]	C [mm]	D [mm]	E [mm]	G [mm]
350	550	112	138	95.5	350	290
375	600	112	138	95.5	376	290
400	600	112	138	95.5	376	290
450	600	112	138	95.5	403	290
500	600	112	138	95.5	428	290
600	600	112	138	95.5	478	290
700	700	112	138	95.5	549	424
750	750	112	138	95.5	586	454
800	800	112	138	95.5	605	500
900	900	112	138	95.5	655	580
1000	1000	112	138	95.5	705	660
1050	1050	112	138	95.5	741	755
1200	1200	112	138	95.5	819	828
1350	1350	112	138	95.5	931	1008
1400	1400	112	138	95.5	931	1008
1500	1500	112	138	95.5	1031	1147
1600	1600	112	138	95.5	1031	1147
1650	1650	112	138	95.5	1082	1284
1800	1800	112	138	95.5	1139	1379
2000	2000	112	138	95.5	1250	1569

DN [mm]	Dimension B					Dimension F				
	EN (DIN)			AWWA [mm]	AS [mm]	EN (DIN)			AWWA [mm]	AS [mm]
	PN 6 [mm]	PN 10 [mm]	PN 16 [mm]			PN 6 [mm]	PN 10 [mm]	PN 16 [mm]		
350	490	505	520	–	525	595	603	610	–	613
375	–	–	–	–	550	–	–	–	–	651
400	540	565	580	–	580	646	659	666	–	666

DN [mm]	Dimension B					Dimension F				
	EN (DIN)			AWWA [mm]	AS [mm]	EN (DIN)			AWWA [mm]	AS [mm]
	PN 6 [mm]	PN 10 [mm]	PN 16 [mm]			PN 6 [mm]	PN 10 [mm]	PN 16 [mm]		
450	595	615	640	–	640	701	711	723	–	723
500	645	670	715	–	705	751	763	786	–	781
600	755	780	840	–	825	856	868	898	–	891
700	860	895	910	927	910	979	996	1004	1012	1004
750	–	–	–	984	995	–	–	–	1078	1084
800	975	1015	1025	1060	1060	1093	1113	1118	1135	1135
900	1075	1115	1125	1168	1175	1193	1213	1218	1239	1243
1000	1175	1230	1255	1289	1255	1293	1320	1333	1350	1333
1050	–	–	–	1346	–	–	–	–	1414	–
1200	1405	1455	1485	1511	1490	1522	1547	1562	1575	1564
1350	–	–	–	1683	–	–	–	–	1773	–
1400	1630	1675	1685	–	–	1746	1769	1774	–	–
1500	–	–	–	1854	–	–	–	–	1958	–
1600	1830	1915	1930	–	–	1946	1989	1997	–	–
1650	–	–	–	2032	–	–	–	–	2098	–
1800	2045	2115	2130	2197	–	2161	2196	2204	2237	–
2000	2265	2325	2345	2362	–	2382	2412	2422	2431	–

*Dimensions in US units
(Promag W 800: Only DN 14 to 24")*

DN [in]	L [in]	A [in]	C [in]	D [in]	E [in]	G [in]
14	21.6	4.41	5.43	3.76	13.8	11.4
15	23.6	4.41	5.43	3.76	14.8	11.4
16	23.6	4.41	5.43	3.76	14.8	11.4
18	23.6	4.41	5.43	3.76	15.9	11.4
20	23.6	4.41	5.43	3.76	16.9	11.4
24	23.6	4.41	5.43	3.76	18.8	11.4
28	27.6	4.41	5.43	3.76	21.6	16.7
30	29.5	4.41	5.43	3.76	23.1	17.9
32	31.5	4.41	5.43	3.76	23.8	19.7
36	35.4	4.41	5.43	3.76	25.8	22.8
40	39.4	4.41	5.43	3.76	27.8	26.0
42	41.3	4.41	5.43	3.76	29.2	29.7
48	47.2	4.41	5.43	3.76	32.2	32.6
54	53.1	4.41	5.43	3.76	36.7	39.6
60	59.0	4.41	5.43	3.76	40.6	45.2
66	64.9	4.41	5.43	3.76	42.6	50.6
72	70.8	4.41	5.43	3.76	44.8	54.2
78	78.7	4.41	5.43	3.76	49.2	61.8

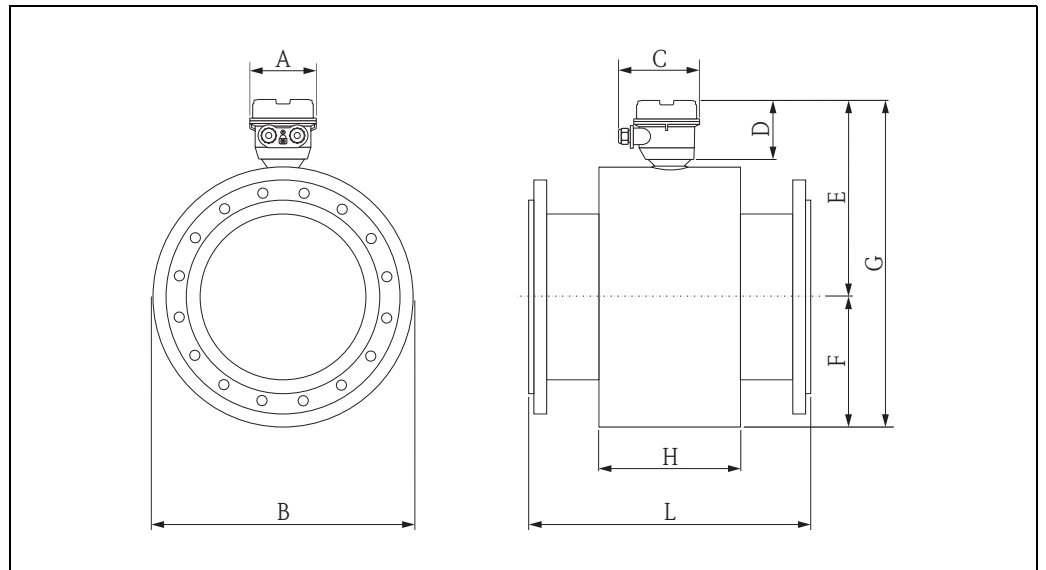
DN [in]	Dimension B					Dimension F				
	EN (DIN)			AWWA [in]	AS [in]	EN (DIN)			AWWA [in]	AS [in]
	PN 6 [in]	PN 10 [in]	PN 16 [in]			PN 6 [in]	PN 10 [in]	PN 16 [in]		
14	19.3	19.9	20.5	–	20.7	23.4	23.7	24.0	–	24.1
15	–	–	–	–	21.7	–	–	–	–	25.6
16	21.3	22.2	22.8	–	22.8	25.4	25.9	26.2	–	26.2

DN [in]	Dimension B					Dimension F				
	EN (DIN)			AWWA [in]	AS [in]	EN (DIN)			AWWA [in]	AS [in]
	PN 6 [in]	PN 10 [in]	PN 16 [in]			PN 6 [in]	PN 10 [in]	PN 16 [in]		
18	23.4	24.2	25.2	–	25.2	27.6	28.0	28.5	–	28.5
20	25.4	26.4	28.1	–	27.8	29.6	30.0	30.9	–	30.7
24	29.7	30.7	33.1	–	32.5	33.7	34.2	35.4	–	35.1
28	33.9	35.2	35.8	36.5	35.8	38.5	39.2	39.5	39.8	39.5
30	–	–	–	38.7	39.2	–	–	–	42.4	42.7
32	38.4	40.0	40.4	41.7	41.7	43.0	43.8	44.0	44.7	44.7
36	42.3	43.9	44.3	46.0	46.3	47.0	47.8	48.0	48.8	48.9
40	46.3	48.4	49.4	50.7	49.4	50.9	52.0	52.5	53.1	52.5
42	–	–	–	53.0	–	–	–	–	55.7	–
48	55.3	57.3	58.5	59.5	58.7	59.9	60.9	61.5	62.0	61.6
54	–	–	–	66.3	–	–	–	–	69.8	–
60	–	–	–	73.0	–	–	–	–	77.1	–
66	–	–	–	80.0	–	–	–	–	82.6	–
72	80.5	83.3	83.9	86.5	–	85.1	86.5	86.8	88.1	–
78	89.2	91.5	92.3	93.0	–	93.8	95.0	95.4	95.7	–

Remote version sensor

Order code for "Design", option B "Insertion length long" with DN 350 to 2000 (14 to 78")

Order code for "Sensor option", option CA to CE "Corrosion protection" with DN 350 to 2000 (14 to 78")



A0018158

Dimensions in SI units

(Promag W 800: Only DN 350 to 600)

DN [mm]	L [mm]	A [mm]	B [mm]	C [mm]	D [mm]	E [mm]	F [mm]	G [mm]	H [mm]
350	550	112	564	138	95,5	395	282	677	276
375	600	112	616	138	95,5	421	308	729	276
400	600	112	616	138	95,5	421	308	729	276
450	650	112	666	138	95,5	446	333	779	292
500	650	112	717	138	95,5	472	359	830	292
600	780	112	821	138	95,5	524	411	934	402
700	910	112	1024	138	95,5	625	512	1137	589
750	975	112	1024	138	95,5	625	512	1137	626
800	1040	112	1067	138	95,5	647	534	1180	647
900	1170	112	1220	138	95,5	723	610	1333	785
1000	1300	112	1372	138	95,5	799	686	1485	862
1050	1365	112	1424	138	95,5	825	712	1537	912
1200	1560	112	1622	138	95,5	924	811	1735	992
1350	1755	112	1824	138	95,5	1025	912	1937	1252
1400	1820	112	1974	138	95,5	1100	987	2087	1252
1500	1950	112	2022	138	95,5	1124	1011	2135	1392
1600	2080	112	2112	138	95,5	1169	1056	2225	1482
1650	2145	112	2186	138	95,5	1206	1093	2299	1482
1800	2340	112	2376	138	95,5	1301	1188	2489	1632
2000	2600	112	2476	138	95,5	1351	1238	2589	1732

Dimensions in US units

(Promag W 800: Only DN 14 to 24")

DN [in]	L [in]	A [in]	B [in]	C [in]	D [in]	E [in]	F [in]	G [in]	H [in]
14	21.6	4.41	22.2	5.43	3.76	15.6	11.1	26.7	10.9
15	23.6	4.41	24.2	5.43	3.76	16.6	12.1	28.7	10.9

DN [in]	L [in]	A [in]	B [in]	C [in]	D [in]	E [in]	F [in]	G [in]	H [in]
16	23.6	4.41	24.2	5.43	3.76	16.6	12.1	28.7	10.9
18	25.6	4.41	26.2	5.43	3.76	17.6	13.1	30.7	11.5
20	25.6	4.41	28.2	5.43	3.76	18.6	14.1	32.7	11.5
24	30.7	4.41	32.3	5.43	3.76	20.6	16.2	36.8	15.8
28	35.8	4.41	40.3	5.43	3.76	24.6	20.2	44.8	23.2
30	38.4	4.41	40.3	5.43	3.76	24.6	20.2	44.8	24.6
32	40.9	4.41	42.0	5.43	3.76	25.5	21.0	46.5	25.5
36	46.0	4.41	48.0	5.43	3.76	28.5	24.0	52.5	30.9
40	51.2	4.41	54.0	5.43	3.76	31.5	27.0	58.5	33.9
42	53.7	4.41	56.0	5.43	3.76	32.5	28.0	60.5	35.9
48	61.4	4.41	63.8	5.43	3.76	36.4	31.9	68.3	39.0
54	69.1	4.41	71.8	5.43	3.76	40.4	35.9	76.3	42.3
60	76.8	4.41	79.6	5.43	3.76	44.3	39.8	84.1	54.8
66	84.4	4.41	86.0	5.43	3.76	47.5	43.0	90.5	58.4
72	92.1	4.41	93.5	5.43	3.76	51.2	46.8	98.0	64.2
78	102.3	4.41	97.5	5.43	3.76	53.2	48.7	101.9	68.2

Weight**Compact version**

Order code for "Design", option A "Insertion length short" with DN 350 to 2000 (14 to 78")

Weight data:

- Including the transmitter
 - Promag W 400: 1.15 kg (2.54 lbs)
 - Promag W 800: 1.5 kg (3.31 lbs)
- Excluding packaging material

Weight in SI units

(Promag W 800: Only DN 350 to 600)

DN		EN (DIN)						ASME, AWWA		AS			
[mm]	[in]	Pres- sure rating	[kg]	Pres- sure rating	[kg]	Pres- sure rating	[kg]	Pressure rating	[kg]	Pres- sure rating	[kg]	Pressure rating	[kg]
350	14	PN 6	79	PN 10	90	PN 16	105	Class 150	139	PN 16	101	Table E	101
375	15	PN 6	–	PN 10	–	PN 16	–	Class 150	–	PN 16	107	Table E	–
400	16	PN 6	91	PN 10	106	PN 16	123	Class 150	170	PN 16	122	Table E	122
450	18	PN 6	101	PN 10	114	PN 16	140	Class 150	193	PN 16	135	Table E	145
500	20	PN 6	116	PN 10	134	PN 16	180	Class 150	230	PN 16	184	Table E	184
600	24	PN 6	157	PN 10	164	PN 16	225	Class 150	304	PN 16	262	Table E	262
700	28	PN 6	192	PN 10	242	PN 16	289	Class D	268	PN 16	369	Table E	348
750	30	PN 6	–	PN 10	–	PN 16	–	Class D	320	PN 16	447	Table E	435
800	32	PN 6	242	PN 10	317	PN 16	351	Class D	385	PN 16	505	Table E	495
900	36	PN 6	310	PN 10	395	PN 16	442	Class D	472	PN 16	704	Table E	692
1000	40	PN 6	361	PN 10	470	PN 16	564	Class D	589	PN 16	761	Table E	763
1050	42	PN 6	–	PN 10	–	PN 16	–	Class D	672	PN 16	–	Table E	–
1200	48	PN 6	531	PN 10	719	PN 16	841	Class D	903	PN 16	1221	Table E	1239
–	54	PN 6	–	PN 10	–	PN 16	–	Class D	1275	PN 16	–	Table E	–
1400	–	PN 6	786	PN 10	1116	PN 16	1202	Class D	–	PN 16	–	Table E	–
–	60	PN 6	–	PN 10	–	PN 16	–	Class D	1596	PN 16	–	Table E	–
1600	–	PN 6	1060	PN 10	1626	PN 16	1843	Class D	–	PN 16	–	Table E	–
1650	66	PN 6	–	PN 10	–	PN 16	–	Class D	2133	PN 16	–	Table E	–
1800	72	PN 6	1420	PN 10	2109	PN 16	2355	Class D	2570	PN 16	–	Table E	–
2000	78	PN 6	1879	PN 10	2632	PN 16	2927	Class D	3115	PN 16	–	Table E	–

*Weight in US units
(Promag W 800: Only DN 14 to 24")*

DN		ASME, AWWA	
[mm]	[in]	Pressure rating	[lbs]
350	14	Class 150	306
375	15	Class 150	–
400	16	Class 150	375
450	18	Class 150	425
500	20	Class 150	507
600	24	Class 150	670
700	28	Class D	591
750	30	Class D	706
800	32	Class D	849
900	36	Class D	1041
1000	40	Class D	1299
1050	42	Class D	1482
1200	48	Class D	1991
–	54	Class D	2811
–	60	Class D	3519
1650	66	Class D	4703
1800	72	Class D	5667
2000	78	Class D	6869

Remote version sensor

Order code for "Design", option A "Insertion length short" with DN 350 to 2000 (14 to 78")

Weight data:

- Including the transmitter housing
- Excluding the connecting cable
- Excluding packaging material

*Weight in SI units
(Promag W 800: Only DN 350 to 600)*

DN		EN (DIN)						ASME, AWWA		AS			
[mm]	[in]	Pressure rating	[kg]	Pressure rating	[kg]	Pressure rating	[kg]	Pressure rating	[kg]	Pressure rating	[kg]	Pressure rating	[kg]
350	14	PN 6	76	PN 10	87	PN 16	105	Class 150	136	PN 16	98	Table E	98
375	15	PN 6	–	PN 10	–	PN 16	–	Class 150	–	PN 16	104	Table E	–
400	16	PN 6	88	PN 10	103	PN 16	123	Class 150	167	PN 16	119	Table E	119
450	18	PN 6	98	PN 10	111	PN 16	140	Class 150	190	PN 16	132	Table E	142
500	20	PN 6	113	PN 10	131	PN 16	180	Class 150	227	PN 16	181	Table E	181
600	24	PN 6	154	PN 10	161	PN 16	225	Class 150	301	PN 16	259	Table E	259
700	28	PN 6	190	PN 10	240	PN 16	289	Class D	266	PN 16	367	Table E	346
750	30	PN 6	–	PN 10	–	PN 16	–	Class D	318	PN 16	445	Table E	433
800	32	PN 6	240	PN 10	315	PN 16	351	Class D	383	PN 16	503	Table E	493
900	36	PN 6	308	PN 10	393	PN 16	442	Class D	470	PN 16	702	Table E	690
1000	40	PN 6	359	PN 10	468	PN 16	564	Class D	587	PN 16	759	Table E	761
1050	42	PN 6	–	PN 10	–	PN 16	–	Class D	670	PN 16	–	Table E	–
1200	48	PN 6	529	PN 10	717	PN 16	841	Class D	901	PN 16	1219	Table E	1237
–	54	PN 6	–	PN 10	–	PN 16	–	Class D	1273	PN 16	–	Table E	–
1400	–	PN 6	784	PN 10	1114	PN 16	1201	Class D	–	PN 16	–	Table E	–
–	60	PN 6	–	PN 10	–	PN 16	–	Class D	1594	PN 16	–	Table E	–
1600	–	PN 6	1058	PN 10	1624	PN 16	1842	Class D	–	PN 16	–	Table E	–

DN		EN (DIN)						ASME, AWWA		AS			
[mm]	[in]	Pressure rating	[kg]	Pressure rating	[kg]	Pressure rating	[kg]	Pressure rating	[kg]	Pressure rating	[kg]	Pressure rating	[kg]
1650	66	PN 6	–	PN 10	–	PN 16	–	Class D	2131	PN 16	–	Table E	–
1800	72	PN 6	1418	PN 10	2107	PN 16	2354	Class D	2568	PN 16	–	Table E	–
2000	78	PN 6	1877	PN 10	2630	PN 16	2926	Class D	3113	PN 16	–	Table E	–

Weight in US units
(Promag W 800: Only DN 14 to 24")

DN		ASME, AWWA	
[mm]	[in]	Pressure rating	[lbs]
350	14	Class 150	301
375	15	Class 150	–
400	16	Class 150	369
450	18	Class 150	420
500	20	Class 150	501
600	24	Class 150	664
700	28	Class D	587
750	30	Class D	701
800	32	Class D	845
900	36	Class D	1036
1000	40	Class D	1294
1050	42	Class D	1477
1200	48	Class D	1987
–	54	Class D	1273
–	60	Class D	3515
1650	66	Class D	4699
1800	72	Class D	5662
2000	78	Class D	6864

Materials

Sensor housing

Carbon steel with protective varnish

Sensor connection housing

- As standard: Aluminum coating AlSi10Mg
- Optionally: Polycarbonate
(Order code for "Sensor option", option CA to CE "Corrosion protection" with DN 350 to 2000 (14 to 78"))

Measuring tubes

Stainless steel 202, 1.4301 (304)

Process connections

(Order code for "Design", option A "Insertion length short" with DN 350 to 2000 (14 to 78"))

- EN 1092-1 (DIN 2501): 1.0038/S235JRG2, A105
- ASME B16.5: A105
- AWWA C207 (DN 1200 to 2000 (48 to 78")): 1.0044/S275JR, 1.0425/P265GH (316L), A105, A181
- AS 2129 (DN 350 to 1200 (14 to 48")): 1.0038/S235JRG2, 1.0345/P235GH, 1.0425/P265GH (316L), A105, FE 410 WB
- AS 4087 (DN 350 to 1200 (14 to 48")): 1.0044/S275JR, 1.0425/P265GH (316L), A105



Note!

Process connections order code for "Design", option B "Insertion length long" with DN 350 to 2000 (14 to 78"):
Refer to the "Operating Instructions" and "Technical Information"

Process connections


Flange connections

(Order code for "Design", option A "Insertion length short" with DN 350 to 2000 (14 to 78"))

- EN 1092-1 (DIN 2501): Fixed flange (PN 6/10/16) = flat face
- ASME B16.5: Fixed flange (Class 150)
- AWWA C207 (DN 1200 to 2000 (48 to 78")): Fixed flange (Class D)
- AS 2129 (DN 350 to 1200 (14 to 48")): Fixed flange (Table E)
- AS 4087 (DN 350 to 1200 (14 to 48")): Fixed flange (PN 16)



Note!

For information on the materials of the process connections →  14

Flange connections order code for "Design", option B "Insertion length long" with DN 350 to 2000 (14 to 78"):
Refer to the "Operating Instructions" and "Technical Information"

www.endress.com/worldwide

Endress+Hauser 
People for Process Automation
