

Safety Instructions

Liquiphant FailSafe

FTL80, FTL81, FTL85

Control Drawing XP + NI



Document: XA00656F-B

Safety instructions for electrical apparatus for explosion-hazardous areas classified according to the National Electrical Code (NEC) and Canadian Electrical Code (CEC).

Liquiphant FailSafe FTL80, FTL81, FTL85

Table of contents

Associated documentation	4
Extended order code	4
Class I, Div. 1, DIP for Class II and Class III, Div. 1	7
Class I, Div. 2; Class II and Class III, Div. 2	7
Process seals	7
Zone concept (X-marking)	8
Explosion protection with heat insulation	8
Temperature tables	9
Connection data	12

Associated documentation This document is an integral part of the following Operating Instructions:
BA01037F/00
The Operating Instructions pertaining to the device apply.

Extended order code The extended order code is indicated on the nameplate, which is affixed to the device in such a way that it is clearly visible. Additional information about the nameplate is provided in the associated Operating Instructions.

Structure of the extended order code

FTL8x	-	*****	+	A*B*C*D*E*F*G*..
Device type		Basic specifications		Optional specifications

* = Placeholder

At this position, an option (number or letter) selected from the specification is displayed instead of the placeholders.

- Basic specifications

The features that are absolutely essential for the device (mandatory features) are specified in the basic specifications. The number of positions depends on the number of features available. The selected option of a feature can consist of several positions.

- Optional specifications

The optional specifications describe additional features for the device (optional features). The number of positions depends on the number of features available. The features have a 2-digit structure to aid identification (e.g. JA). The first digit (ID) stands for the feature group and consists of a number or a letter (e.g. J = test, certificate). The second digit constitutes the value that stands for the feature within the group (e.g. A = 3.1 material (wetted parts), inspection certificate).

More detailed information about the device is provided in the following tables. These tables describe the individual positions and IDs in the extended order code which are relevant to hazardous locations.

Device type: FTL80, FTL81, FTL82

Basic specifications

Position	Selected option	Description
1, 2 Approval	FTL80: FD	FM XP Cl. I, II, III, Div. 1, Gr. A-G, DIP II, III, Div. 1, Gr. E-G Cl. I, Zone 0, 20, AEx d IIC T6 NI Cl. I, Div. 2, Gr. A-G, T6
	FTL81/85: FD FE*	FM XP Cl. I, II, III, Div. 1, Gr. A-G, DIP II, III, Div. 1, Gr. E-G Cl. I, Zone 0, 20, AEx d IIC T6 NI Cl. I, Div. 2, Gr. A-G, T6 FM XP, Cl. I, II, III, Div. 1, Gr. B-G, T6 Cl. I, Zone 0, AEx d IIC T6 NI Cl. I, Div. 2, Gr. A-G, T6
3 Electronics; Output	FTL8x: S	FEL85; 2-wire, 4-20 mA
4 Display; Operating	FTL8x: A	LED; switch
5 Housing	FTL8x: D	F13 Alu, IP66/68 NEPA Type 4X/6P Encl.
	E	T13 Alu, separate conn. compartment, IP66/68 NEPA Type 4X/6P Encl.
	I	F27 316L, IP66/68 NEPA Type 4X/6P Encl.
6 Electrical Connection	FTL8x: D	Thread NPT1/2
	E	Thread NPT3/4
7 Application	FTL80: A	Process max. 150 °C/302 °F, 64 bar/928 psi
	C	Process max. 230 °C/446 °F, 100 bar/1450 psi; incl. gas-tight feed through
	D	Process max. 280 °C/536 °F, 100 bar/1450 psi; incl. gas-tight feed through
	Y	Process max. 300 °C/572 °F, 100 bar/1450 psi
	FTL81: A	Process max. 150 °C/302 °F, 64 bar/928 psi
	B	Process max. 150 °C/302 °F, 100 bar/1450 psi
	C	Process max. 230 °C/446 °F, 100 bar/1450 psi; incl. gas-tight feed through
	D	Process max. 280 °C/536 °F, 100 bar/1450 psi; incl. gas-tight feed through
	Y	Process max. 300 °C/572 °F, 100 bar/1450 psi
FTL85: N	P	ECTFE, Process max. 120 °C/248 °F, 40 bar/580 psi
	T	PFA, Process max. 150 °C/302 °F, 40 bar/580 psi
		Enamel, Process max. 150 °C/302 °F, 25 bar/362 psi
9 Surface Refinement	FTL85: N	Coating ECTFE
	P	Coating PFA (Edlon)
	Q	Coating PFA (RubyRed)
	R	Coating PFA (conductive)
	T	Coating Enamel

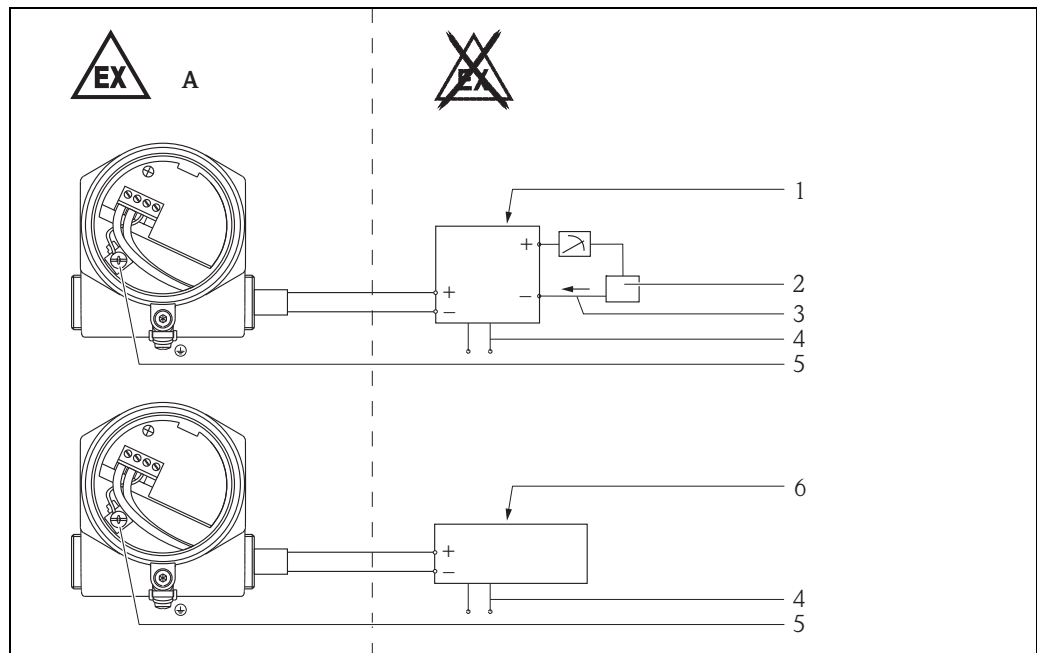
* only housing T13 (Position 5 = E) and application without gas-tight feed through (Position 7 = A, B, N, P, T)

Optional specifications

ID	Selected option	Description
Mx Sensor Design	FTL8x: MP	Ambient temperature -50 °C/-58 °F
	MQ*	Ambient temperature -60 °C/-76 °F
	MR	Temperature separator
	MS	Pressure tight feed through, incl. temperature separator
Nx Accessory Mounted	FTL8x: ND	Cover, housing F13 Alu, window
	NE	Cover, housing T13 Alu, window

* ambient temperature -60 °C only for Zone concept not for Class + Division

Installation drawing XP



FTL8x_11



A Class I, Div. 1, Groups A, B, C, D;
 Class II, Div. 1, Groups E, F, G;
 Class III
 Zone 0/1, AEx/Ex d IIC T6

- 1 Power supply, 4...20 mA transmitter
 2 External load
 3 4...20 mA
 4 Supply
 5 Ground stud
 6 Endress+Hauser transmitter
 Liquiphant FailSafe, Nivotester FTL825

**Class I, Div. 1, DIP for
Class II and Class III, Div. 1**

Explosion proof

Device type FTL80, Basic specification, Position 5 (Housing) = D, E, I and
Device type FTL81, Basic specification, Position 5 (Housing) = E and Position 7 (Application) = C, D, Y
and

Device type FTL81, FTL85, Basic specification, Position 5 (Housing) = D, I:

**XP Class I, Div. 1, Groups A, B, C, D, DIP for Class II, Div. 1, Groups E, F, G, Class III;
Zone 0/1 AEx/Ex d IIC T6**

Device type FTL81, Basic specification, Position 5 (Housing) = E and Position 7 (Application) = A, B:

**XP Class I, Div. 1, Groups B, C, D, DIP for Class II, Div. 1, Groups E, F, G, Class III;
Zone 0/1 AEx/Ex d IIC T6**

Hazardous locations installations

- Control room equipment may not use or generate over 250 V_{rms}.
- Install as per NEC (National Electrical Code) (ANSI/NFPA70) or CEC (Canadian Electrical Code), as applicable.
- Supply wires shall be installed in accordance with NEC.
- Install conduit seal at enclosure wall.
- Warning: Substitution of components may impair explosion protection.
- Use supply wires suitable for 20 K above the ambient temperature.

Terminal compartment:

- Warning: Keep cover tight when circuit is live unless the area is known to be non-hazardous.

**Class I, Div. 2;
Class II and Class III, Div. 2**

Nonincendive

**NI Class I, Div. 2, Groups A, B, C, D, Class II, Div. 2, Groups E, F, G, Class III
(only for NPT conduit entries)**

Hazardous locations installations

- Install as per NEC (National Electrical Code) (ANSI/NFPA70) or CEC (Canadian Electrical Code), as applicable.
- Intrinsic safety barrier not required.
- Maximum ambient temperature: 80 °C.
- Maximum supply voltage: 30 V DC.
- Warning: Explosion hazard - Do not disconnect equipment unless power has been switched off or the area is known to be non-hazardous.
- Warning: Open circuit before removing cover.
- Warning: Substitution of components may impair suitability for Class I, Div. 2.

Process seals

Single/Dual Seal per ANSI/ISA 12.27.01

Single seal device:

- Gas-tight conduit seal not required for FTL80, FTL81, FTL85: For version without gas-tight glass feed-through (Basic specification, Position 7 (Application) = A, B, N, P, T)

Dual seal device:

- Gas-tight conduit seal not required for FTL80, FTL81: For version with gas-tight glass feed-through (Basic specification, Position 7 (Application) = C, D, Y).

Zone concept (X-marking)**Electrostatic/impact sparks**

Gas group IIC

- If electrostatic charging of the probe can be avoided (e.g. through friction, cleaning, maintenance, strong medium flow), a probe coated with non-conductive material can be used.

Gas group IIB

- A probe coated with non-conductive material can be used.

Device type FTL85, Basic specification, Position 9 (Surface Refinement) = N, P, Q

- The probe can be electrostatically charged.
- Warning: Avoid electrostatic charging of the plastic surfaces, for plastic process connections or plastic coatings.
- Not suitable for dust application.

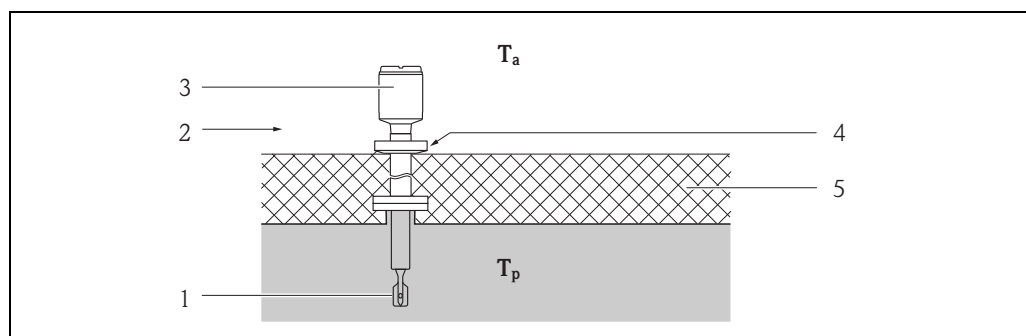
Basic specification, Position 5 (Housing) = D, E

- Avoid sparks caused by impact and friction.

Explosion protection with heat insulation

Device type FTL80, FTL81, Basic specification, Position 7 (Application) = C, D, Y

- While observing the "temperature derating", the device is suitable for process temperatures up to 300 °C (→ ☞ 11).
- When operating, ensure that you rule out contact between hot component surfaces and potentially explosive atmospheres beyond the limits of the corresponding temperature class (→ ☞ 10).
Suitable measures: e.g. thermal insulation at container and/or pipes.
- The temperature of 85 °C specified at the reference point may not be exceeded.
- To protect the electronics, observe the specified ambient temperature at the electronics housing.



FTL8x_03



- T_a Ambient temperature
 T_p Process temperature
 1 Sensor
 2 Temperature class, e.g. T6
 3 Housing
 4 Reference point: max. +85 °C
 5 E.g. thermal insulation

Temperature tables



Note!
Observe the permitted probe temperature range.

Application in gas**Ambient temperature electronics****When used in Zone 0**

-20...+60 °C

When used outside Zone 0

-60...+70 °C

Optional specification Nx (Accessory Mounted) = ND, NE: -50...+70 °C
--

Process temperature sensor**When used in Zone 0**

-20...+60 °C

Device type FTL80, FTL81, Basic specification, Position 7 (Application) = A, B, C, D, Y

When used outside Zone 0

-50...+150 °C (A, B)

-60...+230 °C (C)

-60...+280 °C (D)

-60...+300 °C (Y)

Device type FTL85, Basic specification, Position 7 (Application) = N, P, T

When used outside Zone 0

-50...+120 °C (N)

-50...+150 °C (P, T)

Application in dust**Probe in Zone 20, electronics housing in Zone 21**

$T = T_a + 10K$

$T_{500} = T_a + 30K$

The dependency of the ambient and process temperatures upon the temperature class:

Device type FTL80, FTL81, Basic specification, Position 7 (Application) = A, B

Temperature class	Process temperature T_p (process): sensor	Ambient temperature T_a (ambient): electronics
T6	-50...+ 85 °C	-60...+70 °C Optional specification Nx (Accessory Mounted) = ND, NE: -50...+70 °C
T5	-50...+100 °C	-60...+70 °C Optional specification Nx (Accessory Mounted) = ND, NE: -50...+70 °C Additional temperature range for sensors with Optional specification Mx = MR, MS → 3
T4	-50...+135 °C	
T3	-50...+150 °C	

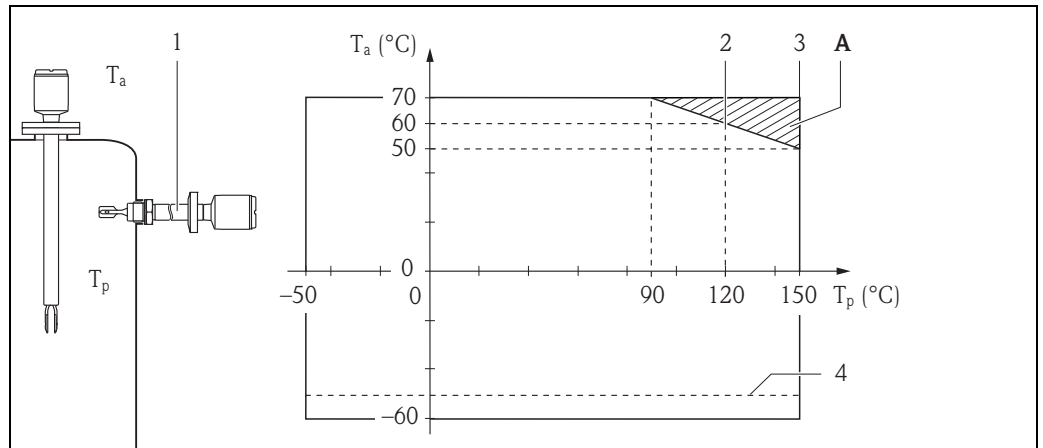
Device type FTL80, FTL81, Basic specification, Position 7 (Application) = C, D, Y

Temperature class	Process temperature T_p (process): sensor	Ambient temperature T_a (ambient): electronics
T6	-60...+ 85 °C	-60...+70 °C Optional specification Nx (Accessory Mounted) = ND, NE: -50...+70 °C
T5	-60...+100 °C	-60...+70 °C Optional specification Nx (Accessory Mounted) = ND, NE: -50...+70 °C For restrictions → 4
T4	-60...+135 °C	
T3	-60...+200 °C	
T2	-60...+230 °C (C) -60...+280 °C (D) -60...+300 °C (Y)	

Device type FTL85, Basic specification, Position 7 (Application) = N, P, T

Temperature class	Process temperature T_p (process): sensor	Ambient temperature T_a (ambient): electronics
T6	-50...+ 85 °C	-60...+70 °C Optional specification Nx (Accessory Mounted) = ND, NE: -50...+70 °C
T5	-50...+100 °C	-60...+70 °C Optional specification Nx (Accessory Mounted) = ND, NE: -50...+70 °C Additional temperature range for sensors with Optional specification Mx = MR, MS → 3
T4	-50...+120 °C (N)	
T4	-50...+135 °C (P, T)	
T3	-50...+150 °C (P, T)	

Device type FTL80, FTL81, Basic specification, Position 7 (Application) = A, B
 Device type FTL85, Basic specification, Position 7 (Application) = N, P, T

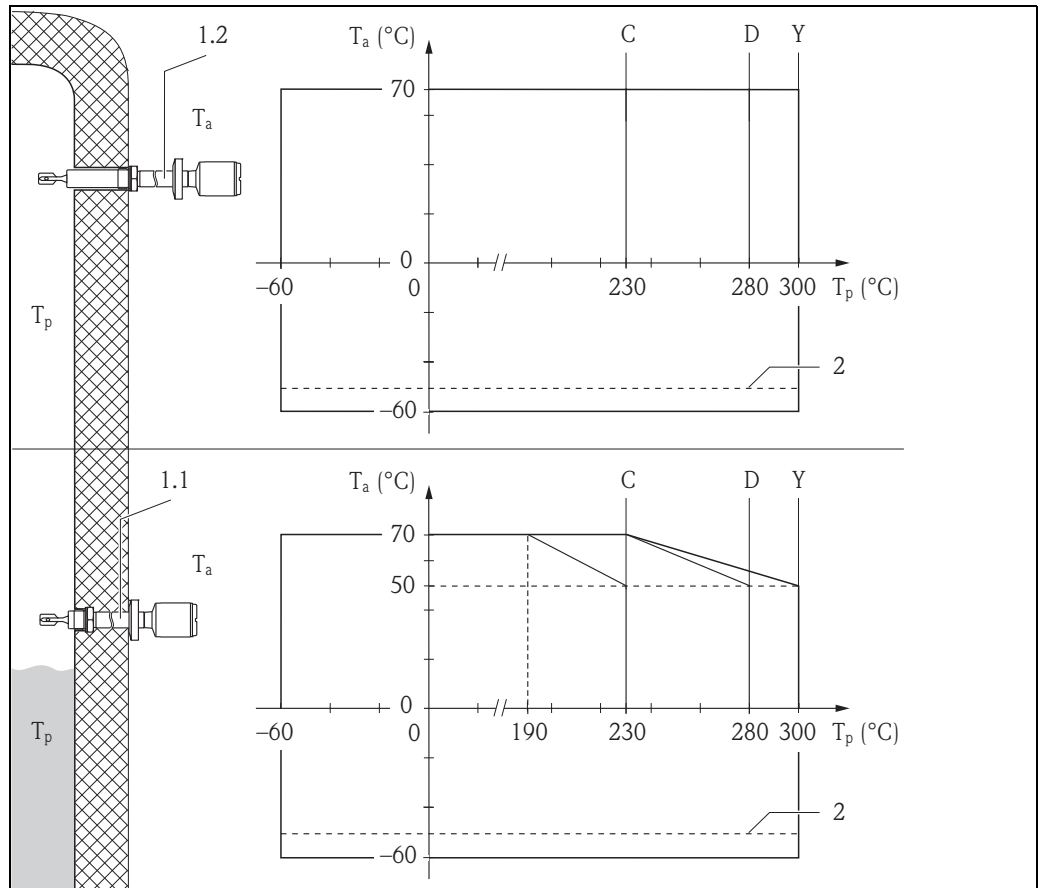


FTL8x_05



- A** Additional temperature range for sensors with optional specifications $Mx = MR, MS$
- 1** Temperature separator or pressure tight feed through
- 2** ECTFE
- 3** PFA, Enamel
- 4** T_a for Optional specification Nx (Accessory Mounted) = ND, NE: $-50...+70\text{ }^\circ\text{C}$

Device type FTL80, FTL81, Basic specification, Position 7 (Application) = C, D, Y



FTL8x_07



- 1** Temperature separator:
 - 1.1** insulated
 - 1.2** free-standing
- 2** T_a for Optional specification Nx (Accessory Mounted) = ND, NE: $-50...+70\text{ }^\circ\text{C}$

Connection data

Basic specification, Position 1, 2 (Approval) = FD, FE

Explosion proof / Nonincendive

Power supply:

- Barrier/associated equipment not required
- Endress+Hauser transmitter: Liquiphant FailSafe, Nivotester FailSafe



Note!

Only connect the device to terminals 1 and 2 or terminals 2 and 3, respectively.

Terminal 1 (-) Max. level safety

Terminal 2 (+)

Terminal 3 (-) Min. level safety

Power supply:

$U_{in} = 30 \text{ V DC}$

$U_m = 250 \text{ V AC}$

$I_{Nom} = 4...20 \text{ mA}$

$P_{max} \leq 660 \text{ mW}$



71222475

www.addresses.endress.com
